

US00D567834S

(12) **United States Design Patent**  
**Nishiwaki et al.**

(10) **Patent No.:** **US D567,834 S**  
(45) **Date of Patent:** **\*\* Apr. 29, 2008**

(54) **VIDEO CAMERA WITH VIDEO DISC RECORDER**

(75) Inventors: **Kenji Nishiwaki**, Kadoma (JP);  
**Shigetada Ninomiya**, Kadoma (JP)

(73) Assignee: **Matsushita Electric Industrial Co., Ltd.**, Osaka (JP)

(\*\*) Term: **14 Years**

(21) Appl. No.: **29/273,030**

(22) Filed: **Feb. 23, 2007**

(30) **Foreign Application Priority Data**

Aug. 24, 2006 (JP) ..... 2006-022349

(51) **LOC (8) Cl.** ..... **16-01**

(52) **U.S. Cl.** ..... **D16/202**

(58) **Field of Classification Search** ..... D16/200–205,  
D16/208, 218; 348/373–376; 358/906;  
396/535–541

See application file for complete search history.

(56) **References Cited**

**U.S. PATENT DOCUMENTS**

- D394,075 S 5/1998 Ninomiya et al.
- D406,157 S 2/1999 Goto
- D408,042 S 4/1999 Onoda et al.
- D408,043 S 4/1999 Goto et al.
- D408,428 S 4/1999 Ninomiya et al.
- D410,017 S 5/1999 Goto et al.
- D413,910 S 9/1999 Onoda et al.
- D413,911 S 9/1999 Goto et al.
- D418,852 S 1/2000 Onoda et al.
- D419,169 S 1/2000 Masano
- D423,541 S \* 4/2000 Ohwada ..... D16/202
- D469,793 S 2/2003 Onoda et al.
- D469,794 S 2/2003 Onoda et al.
- D476,021 S 6/2003 Masano et al.
- D490,456 S 5/2004 Masano et al.

- D500,776 S \* 1/2005 Miyashita ..... D16/202
- D507,290 S 7/2005 Nishiwaki
- D515,123 S \* 2/2006 Kojima et al. .... D16/202
- D532,805 S 11/2006 Masano et al.
- D533,206 S \* 12/2006 Kim ..... D16/202
- D546,855 S \* 7/2007 Masano et al. .... D16/202
- D546,857 S \* 7/2007 Nishiwaki et al. .... D16/202
- 2005/0062880 A1 \* 3/2005 Kojima et al. .... 348/373
- 2005/0140823 A1 \* 6/2005 Ishikuro ..... 348/375

**FOREIGN PATENT DOCUMENTS**

- JP D 1098408 1/2001
- JP D 1098409 1/2001
- JP D 1249190 8/2005
- JP D 1276338 7/2006
- JP D 1276339 7/2006
- JP D 1285998 11/2006
- JP D 1286000 11/2006

\* cited by examiner

*Primary Examiner*—Adir Aronovich

(74) *Attorney, Agent, or Firm*—Brinks Hofer Gilson & Lione

(57) **CLAIM**

We claim the ornamental design for a video camera with video disc recorder, as shown and described.

**DESCRIPTION**

FIG. 1 is a front and right side perspective view of a video camera with video disc recorder of the present invention;  
 FIG. 2 is a rear and left side perspective view thereof;  
 FIG. 3 is a front elevation view thereof;  
 FIG. 4 is a top plan view thereof;  
 FIG. 5 is a left side elevational view thereof;  
 FIG. 6 is a right side elevational view thereof;  
 FIG. 7 is a rear elevation view thereof; and,  
 FIG. 8 is a bottom plan view thereof.

**1 Claim, 4 Drawing Sheets**

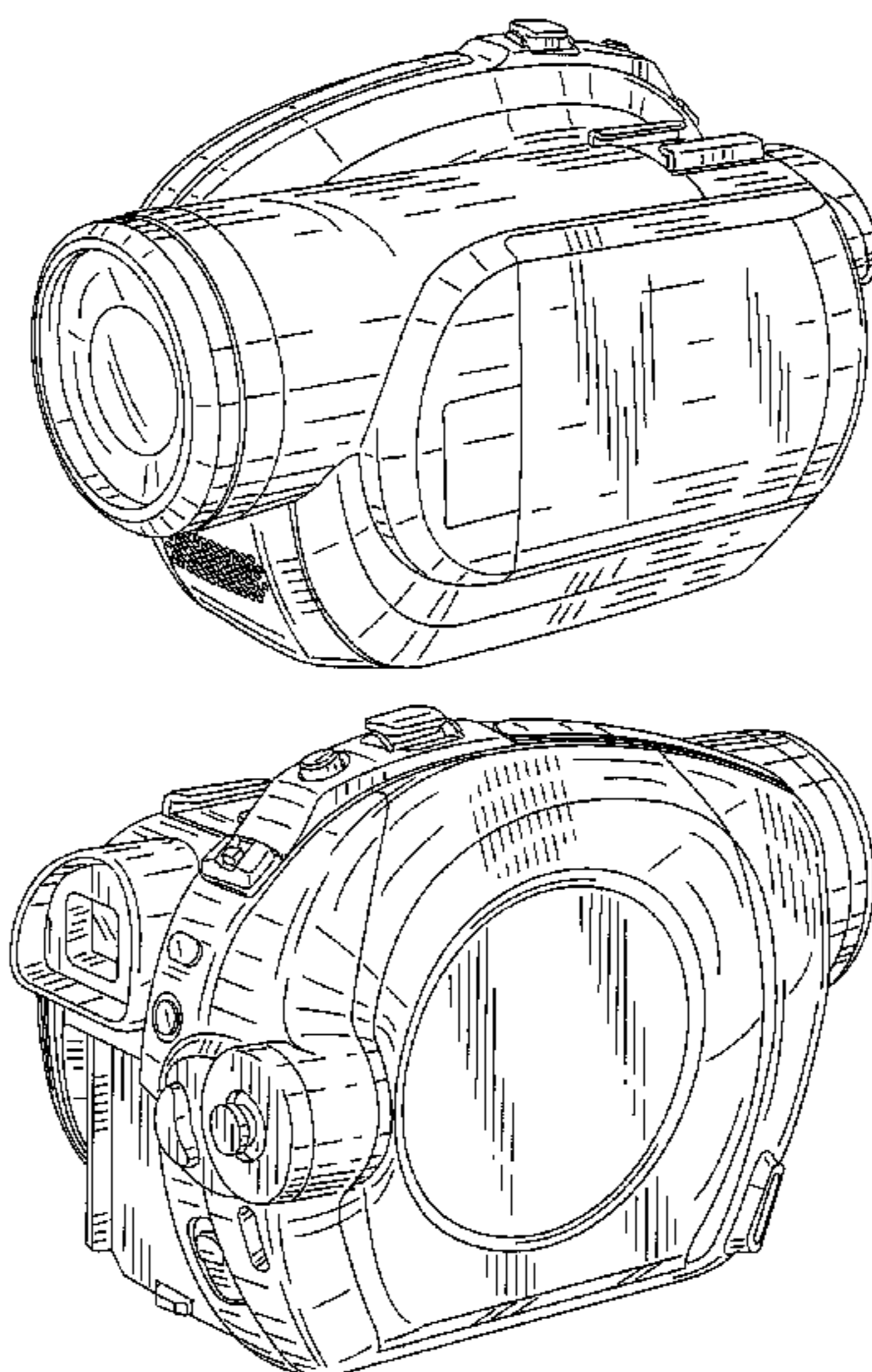


FIG.1

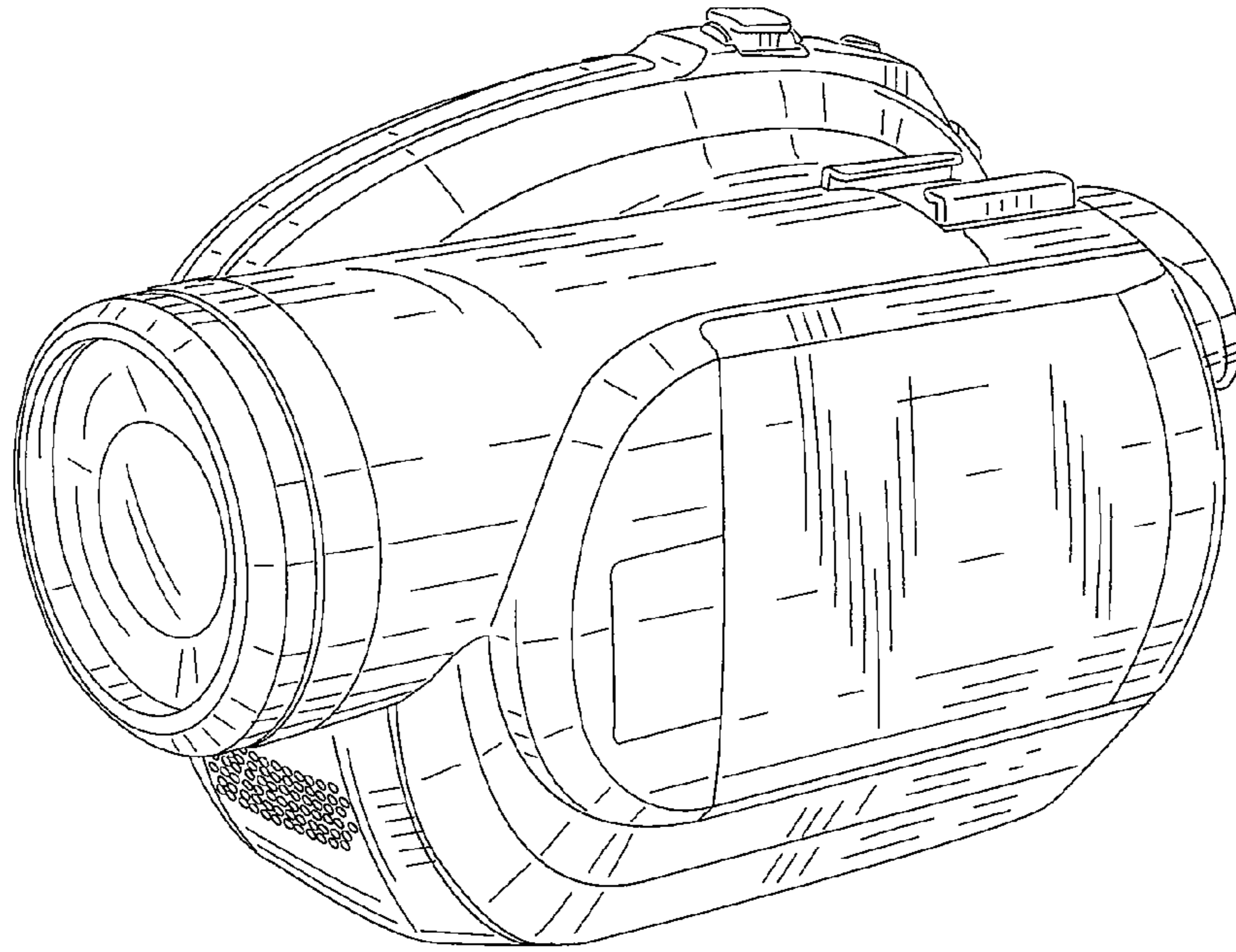


FIG.2

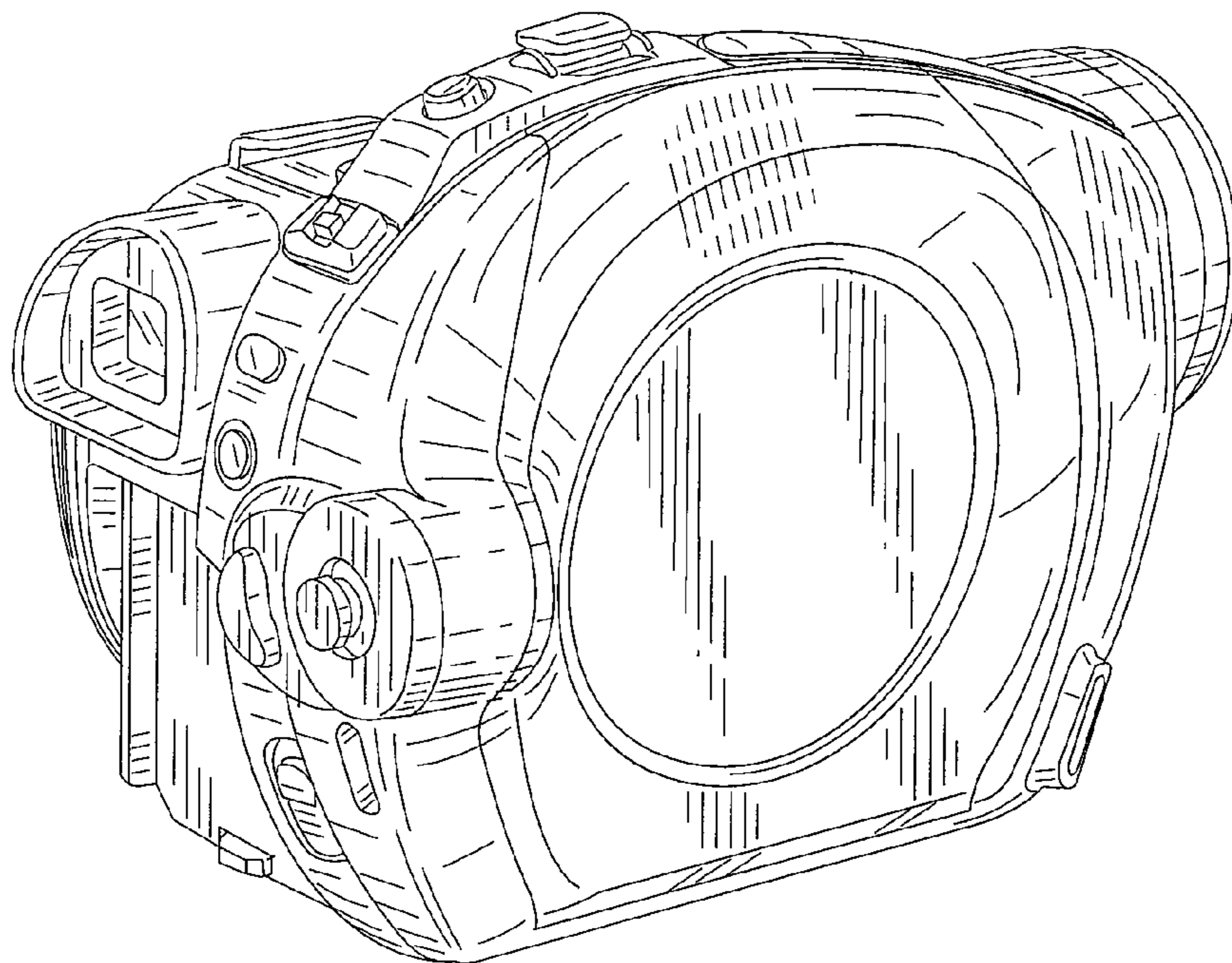


FIG.3

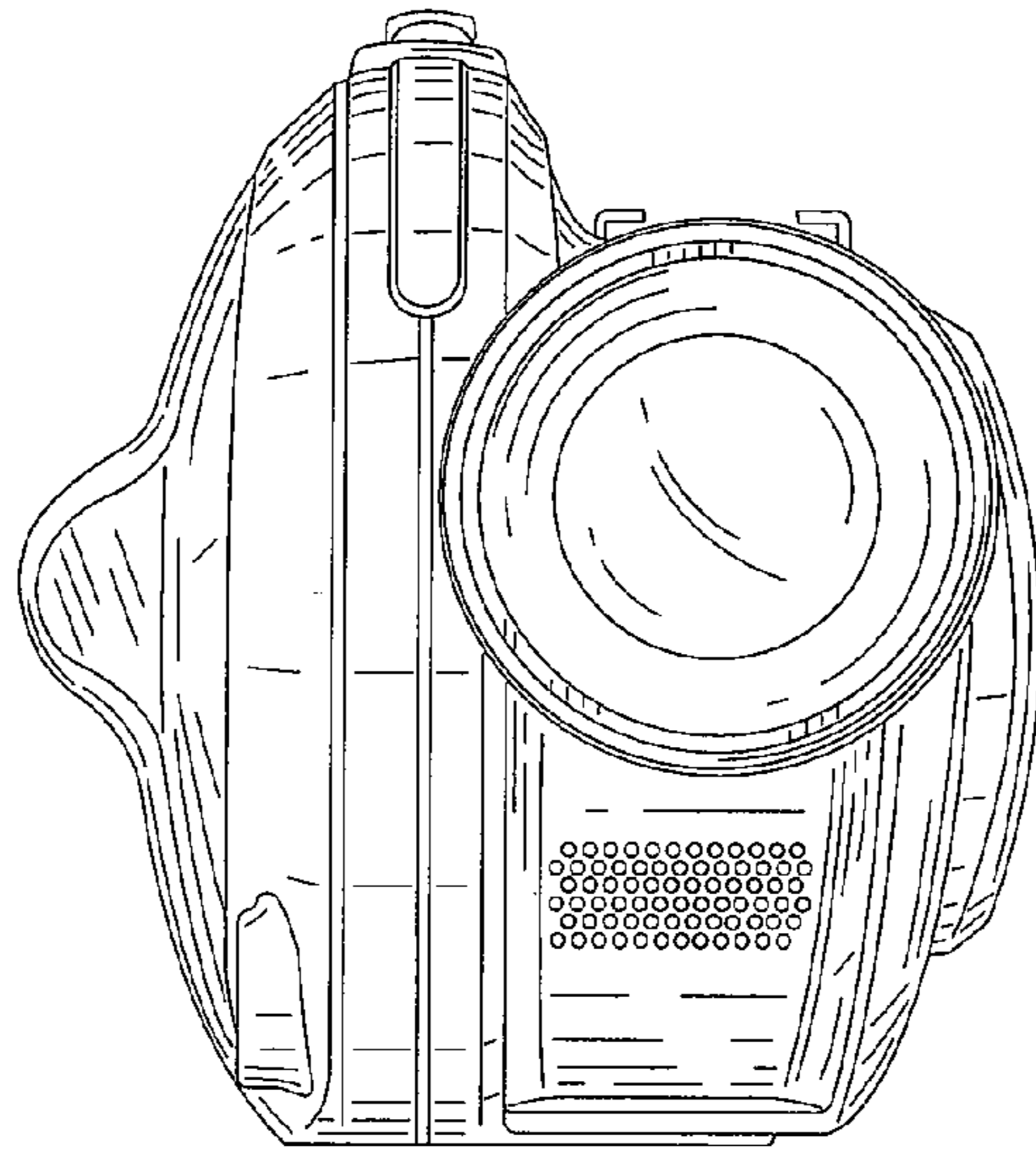


FIG.4

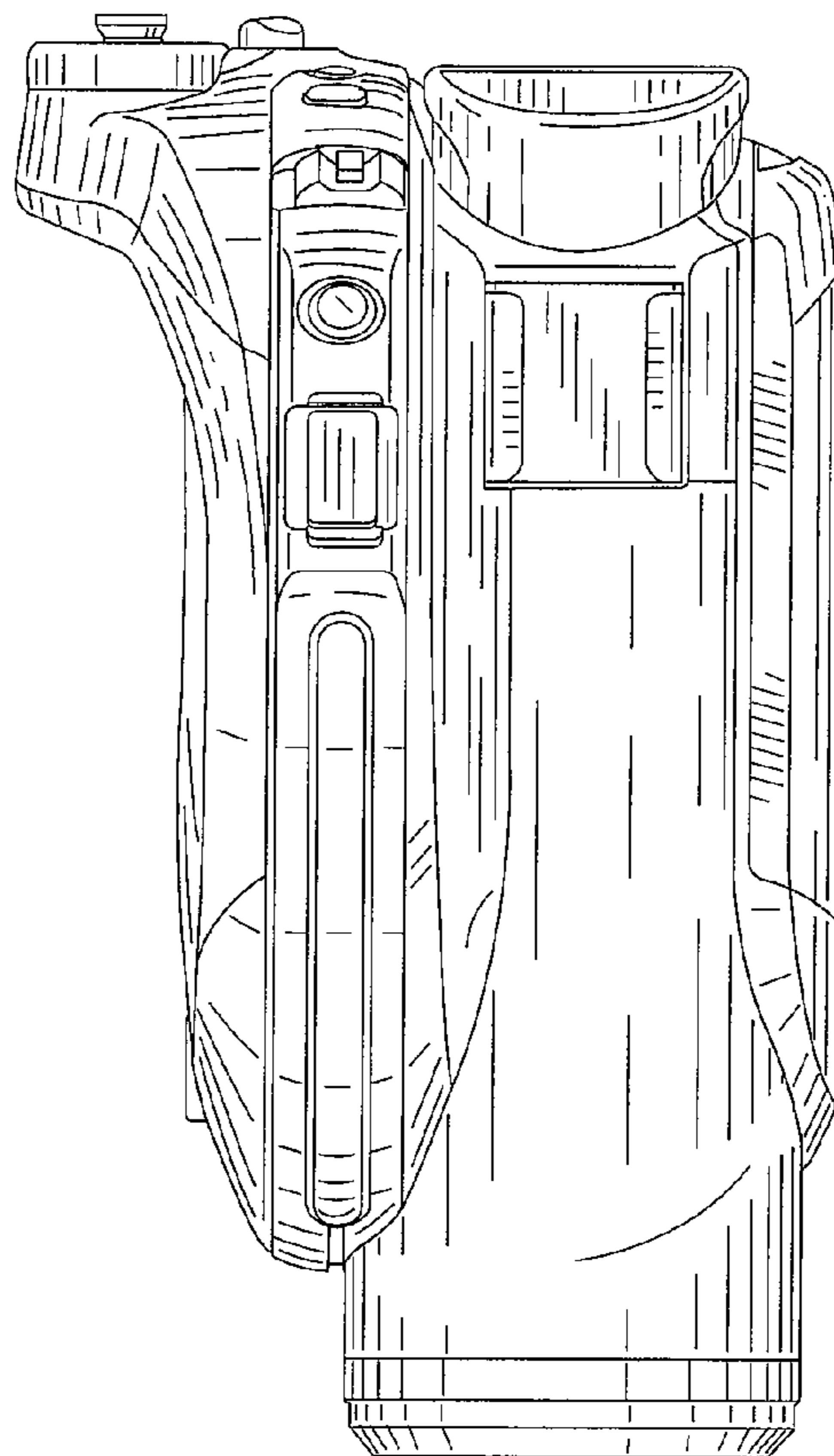


FIG.5

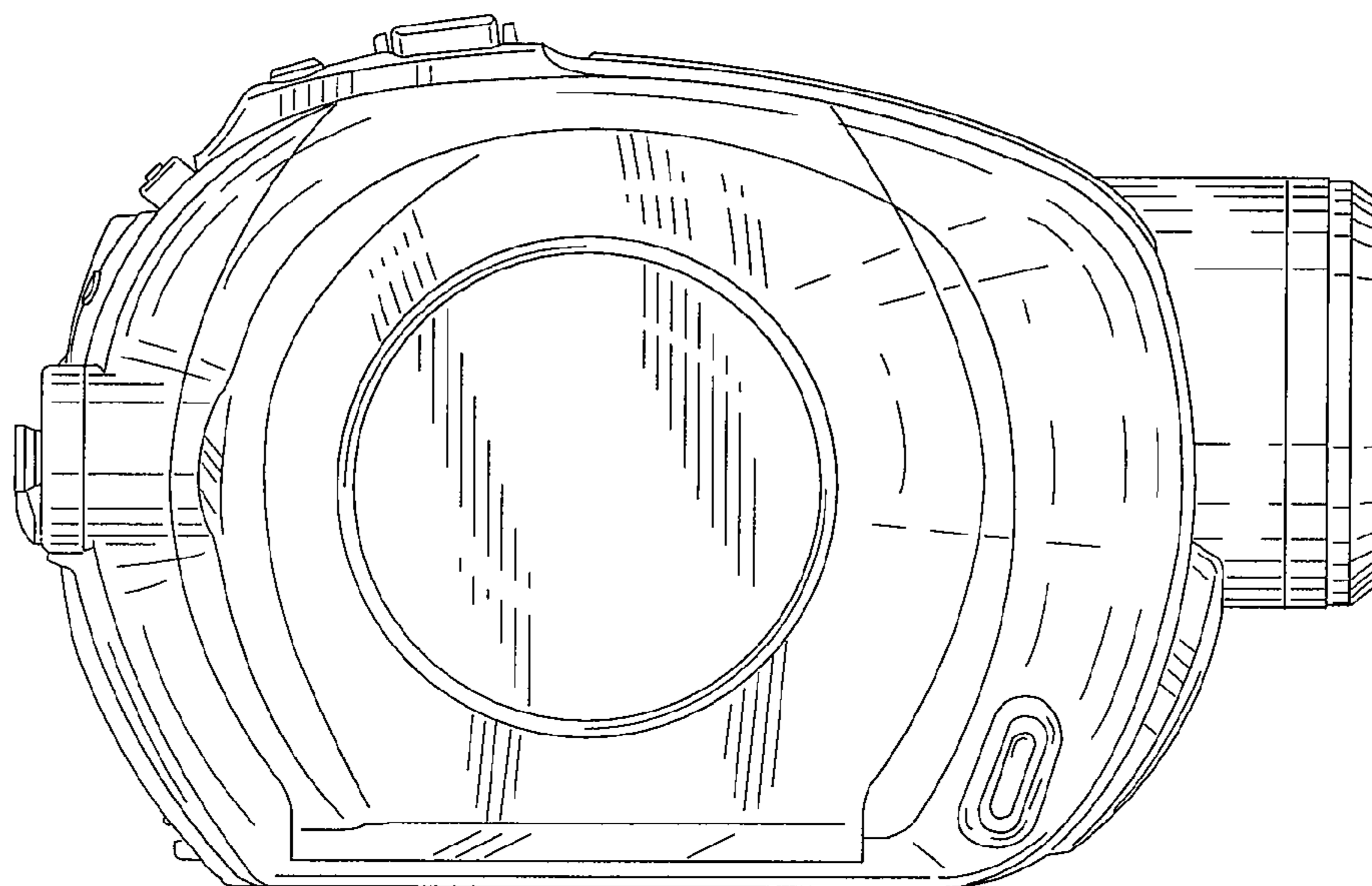


FIG.6

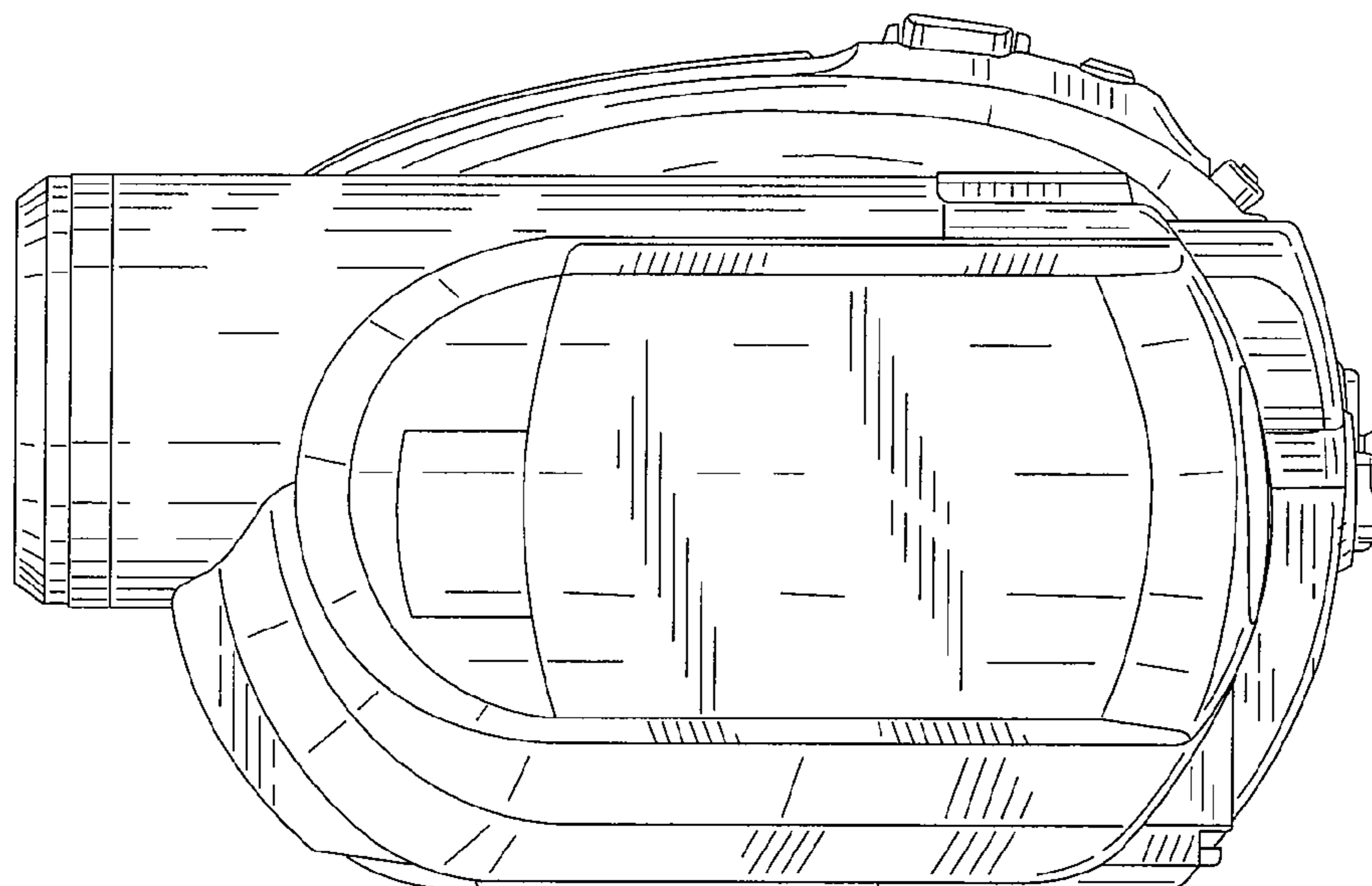


FIG.7

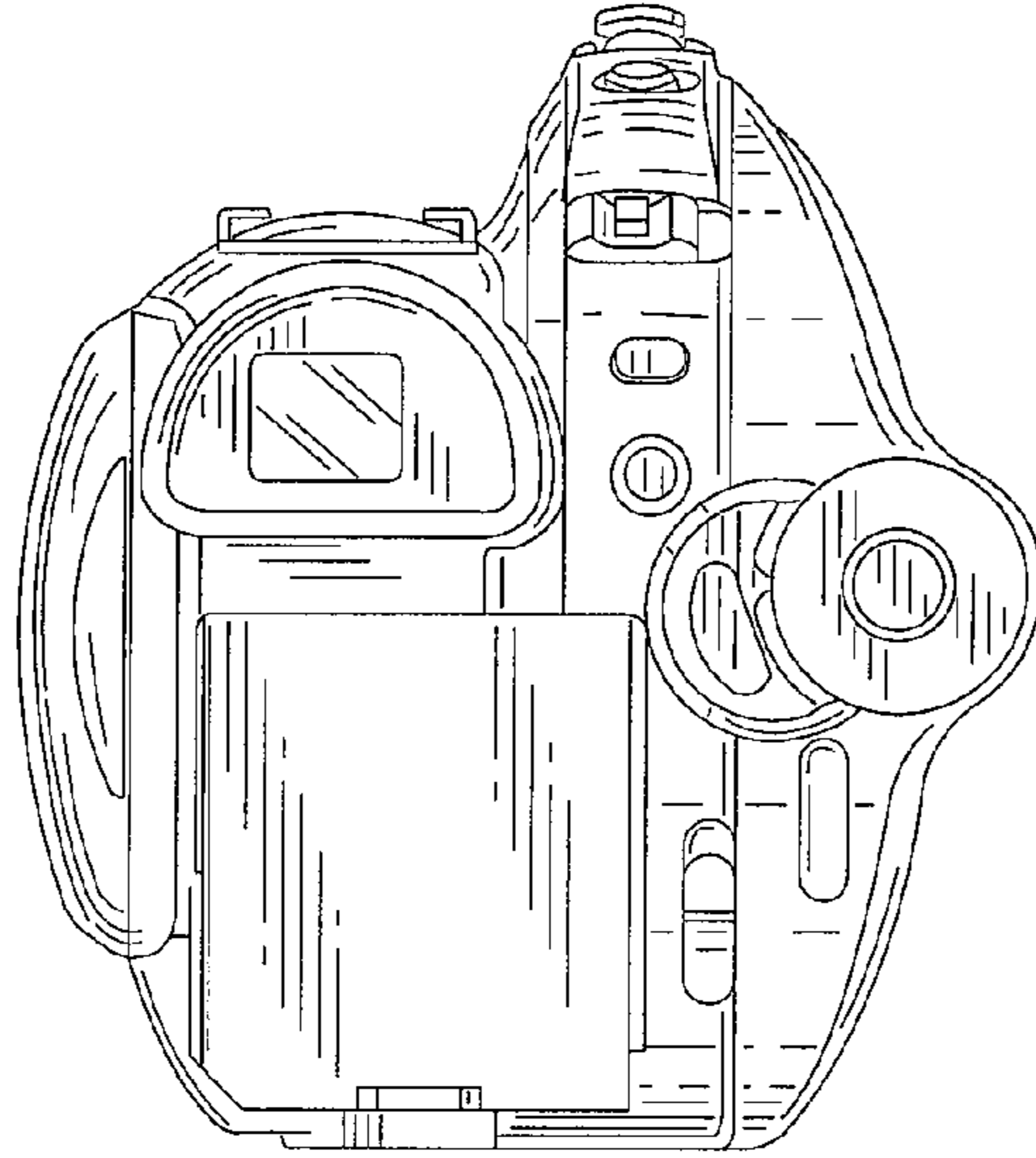


FIG.8

