



US00D567833S

(12) **United States Design Patent**  
**Stirnemann et al.**

(10) **Patent No.:** **US D567,833 S**

(45) **Date of Patent:** **\*\* Apr. 29, 2008**

(54) **HOUSING FOR WELDING EXTRUDER**

(75) Inventors: **René Stirnemann**, Ruswil (CH);  
**Ephrem Christen**, Lucerne (CH)

(73) Assignee: **LEISTER Process Technologies** (CH)

(\*\*) Term: **14 Years**

(21) Appl. No.: **29/275,107**

(22) Filed: **Dec. 13, 2006**

(30) **Foreign Application Priority Data**

Nov. 6, 2006 (EM) ..... 000616362

(51) **LOC (8) Cl.** ..... **15-09**

(52) **U.S. Cl.** ..... **D15/144**

(58) **Field of Classification Search** ..... D8/14,  
D8/29.1, 30; D15/133, 132, 144, 144.1,  
D15/144.2; 174/50.56, 50.59; 219/1 A,  
219/130.1; 336/182, 195, 212, 214; 361/550  
See application file for complete search history.

(56) **References Cited**

**U.S. PATENT DOCUMENTS**

- D327,694 S \* 7/1992 Tanaka ..... D15/144
- D386,954 S \* 12/1997 Melendy et al. .... D8/30
- D506,909 S \* 7/2005 Picaza ..... D8/29.1
- D513,021 S \* 12/2005 Penner ..... D15/144
- D514,606 S \* 2/2006 Picaza ..... D15/144.2

- D520,539 S 5/2006 Di Miceli
- D552,443 S \* 10/2007 Aglassinger et al. .... D8/29.1
- D555,446 S \* 11/2007 Picaza Ibarrodo ..... D8/30
- D559,284 S \* 1/2008 Albinsson et al. .... D15/132
- 2006/0078635 A1 \* 4/2006 Herz ..... 425/87

\* cited by examiner

*Primary Examiner*—Sandra Snapp

*Assistant Examiner*—Patricia Palasik

(74) *Attorney, Agent, or Firm*—Renner, Otto, Boisselle & Sklar, LLP

(57) **CLAIM**

The ornamental design for a housing for welding extruder, as shown and described.

**DESCRIPTION**

FIG. 1 is a perspective view of a housing for welding extruder showing our new design as seen from the upper left hand side.

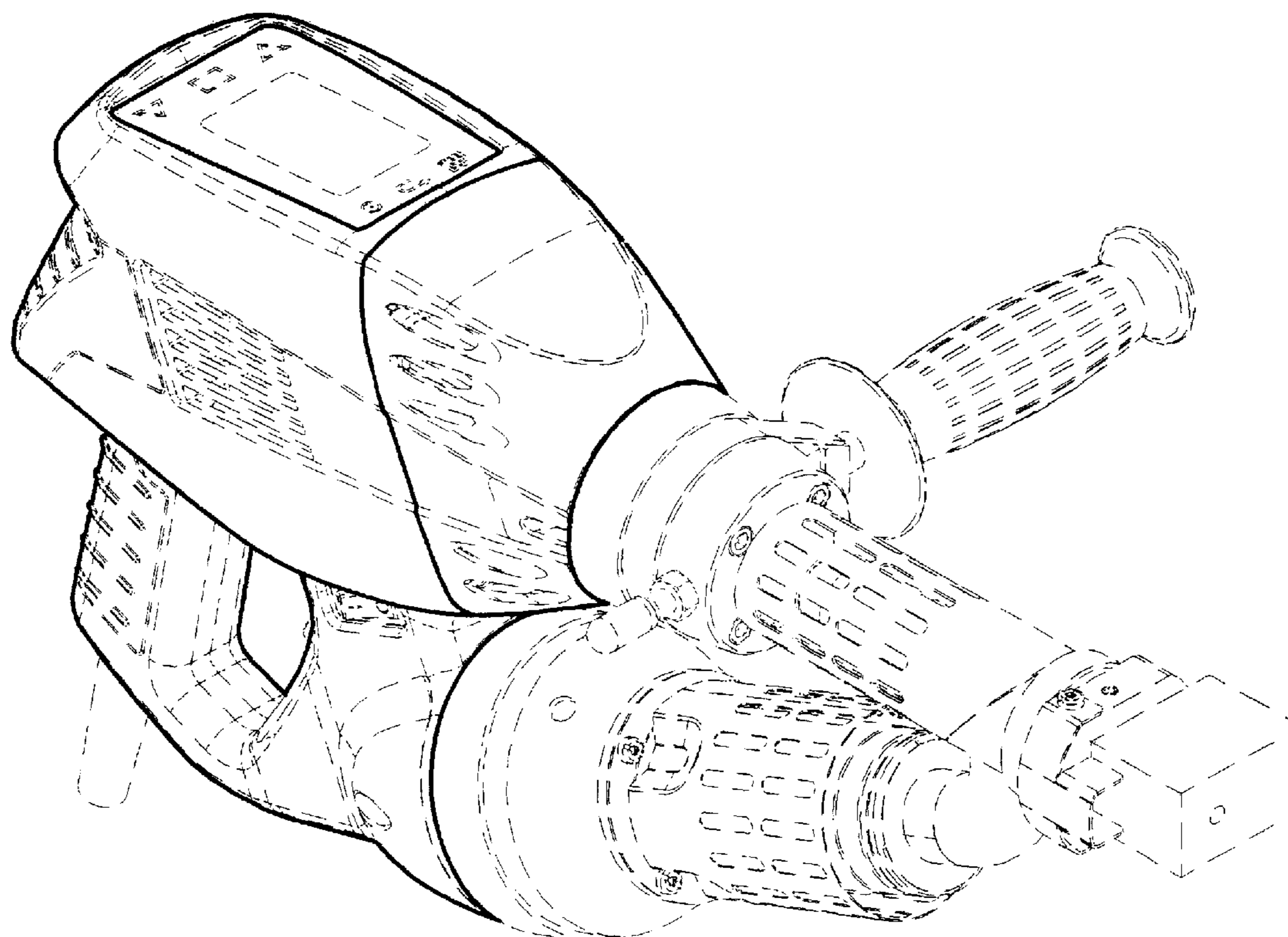
FIG. 2 is a right side elevation view of FIG. 1.

FIG. 3 is a rear end elevation view of FIG. 1; and,

FIG. 4 is a bottom plan view of FIG. 1.

The broken line showings of other portions of a welding extruder in FIGS. 1–4 are for illustrative purposes only and form no part of the claimed design.

**1 Claim, 4 Drawing Sheets**



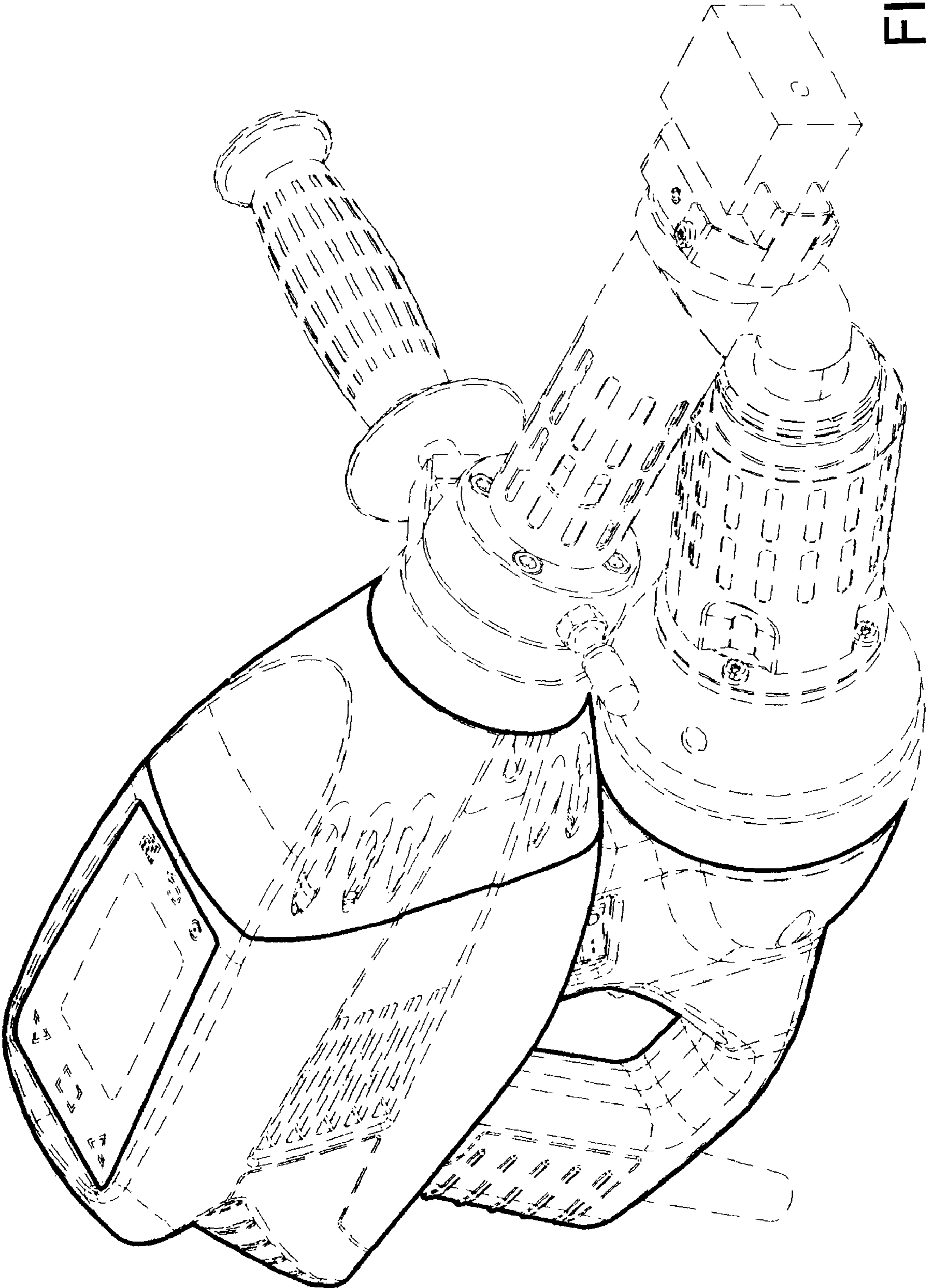


FIG. 1

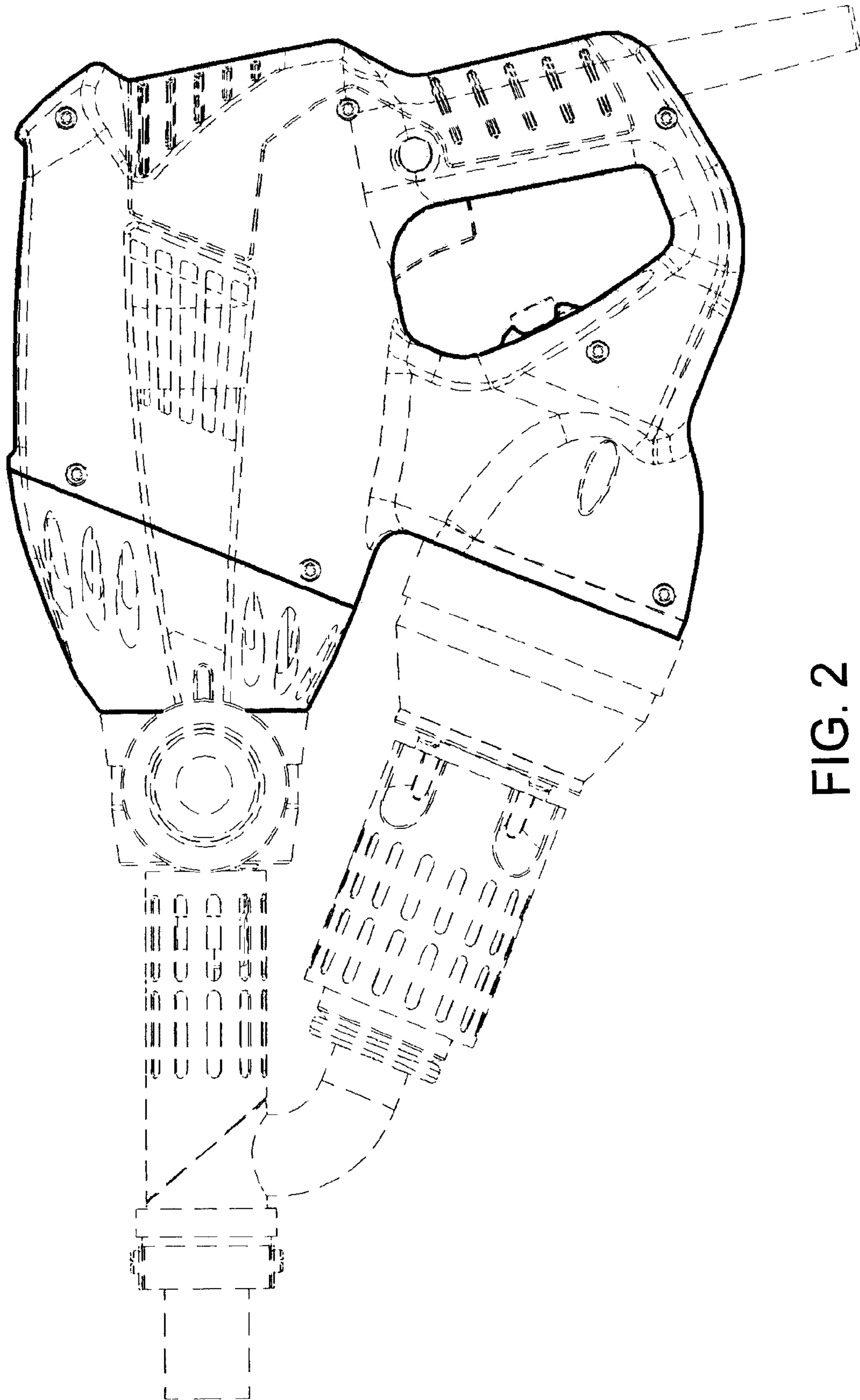


FIG. 2

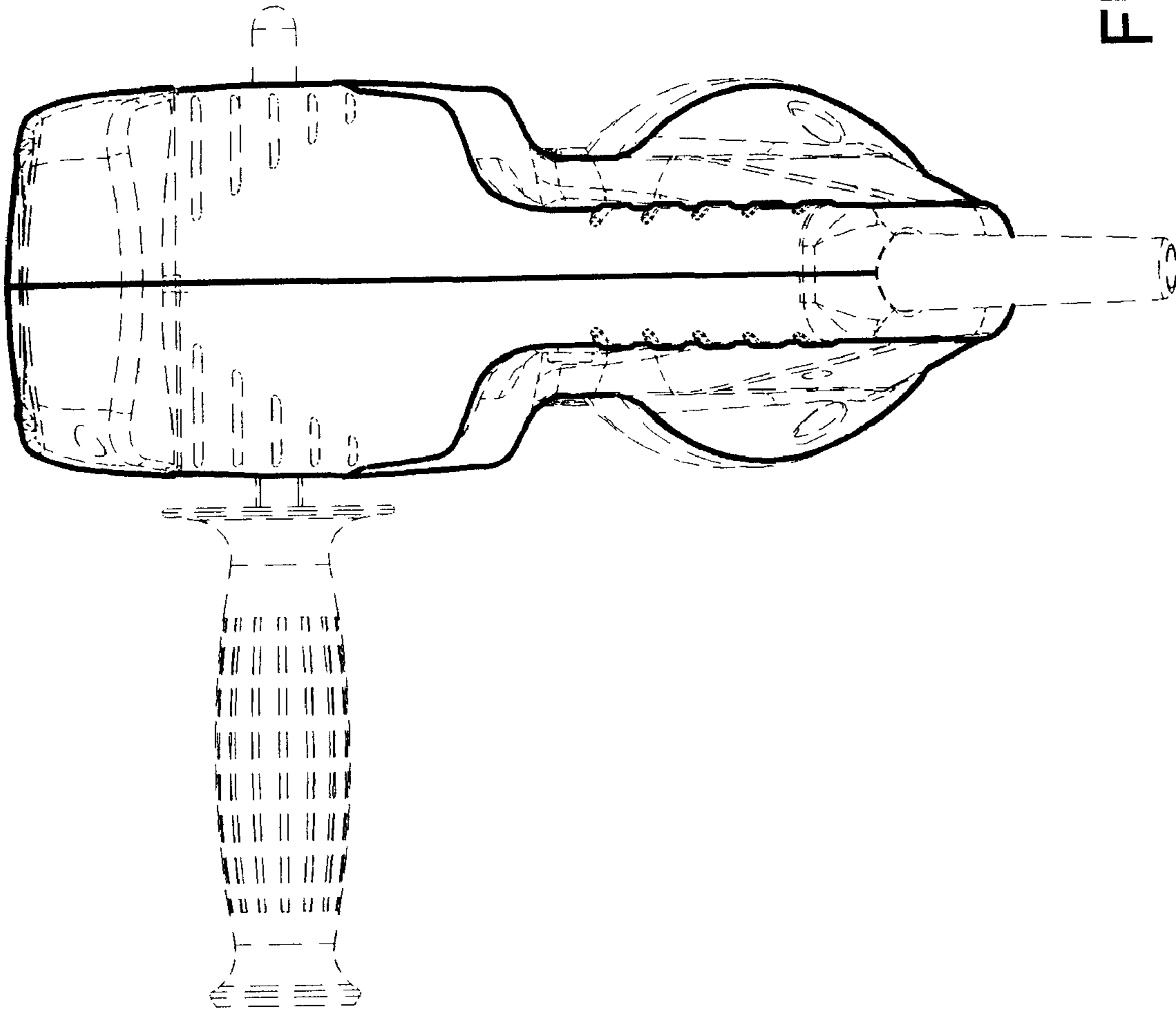


FIG. 3

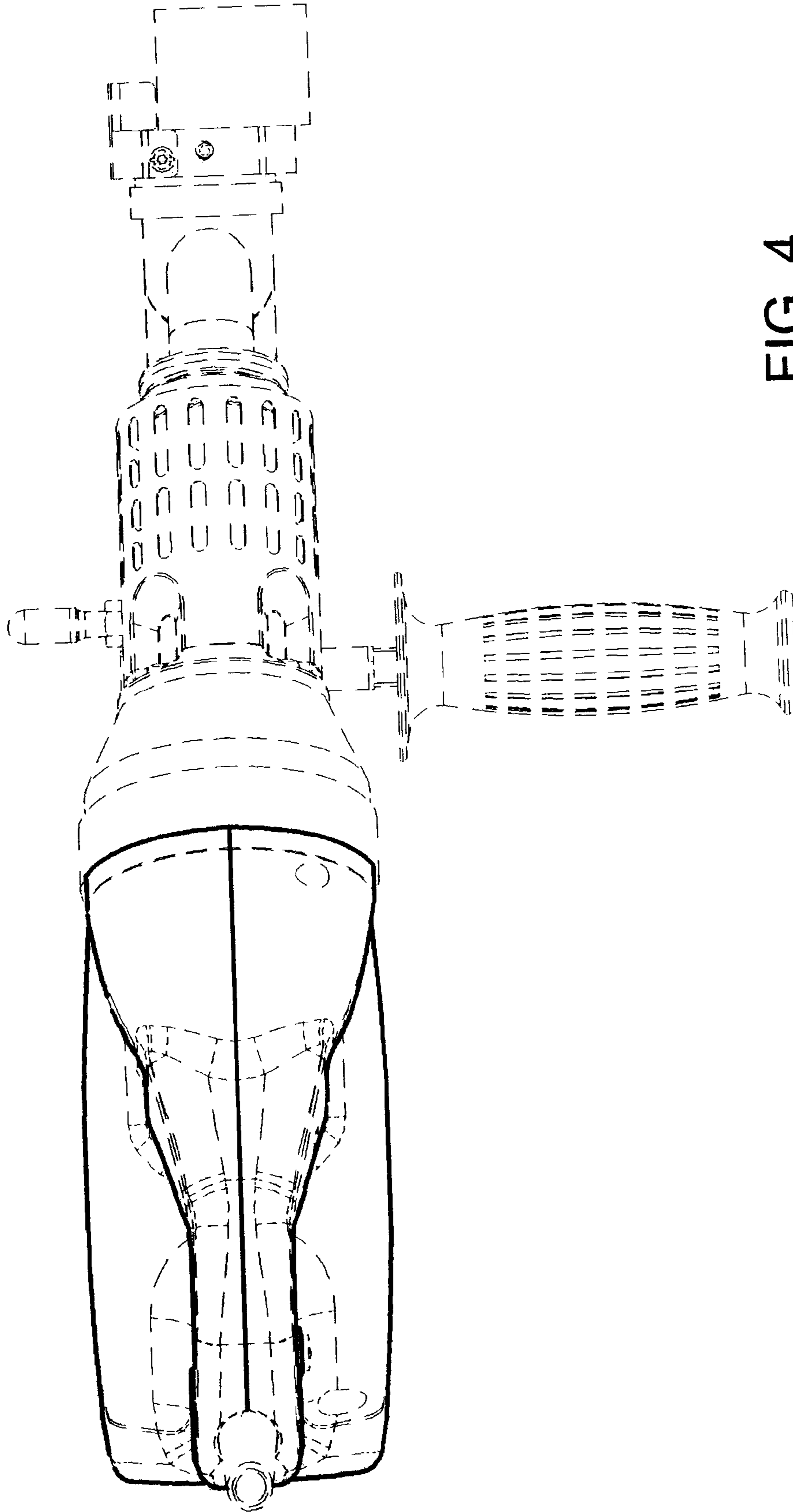


FIG. 4