



US00D567832S

(12) **United States Design Patent** (10) **Patent No.:** **US D567,832 S**
Edwards (45) **Date of Patent:** **** Apr. 29, 2008**

(54) **TOOTH FOR A CUTTER**

2007/0194161 A1* 8/2007 Doppstadt et al. 241/294

(75) Inventor: **John W. Edwards**, Tampa, FL (US)

OTHER PUBLICATIONS

(73) Assignee: **Attachment Technologies Incorporated**, Cedar Rapids, IA (US)

Photographs of Cutter Element, 1 page.
King Kong Tools, Save Money Less Down-Time, 2 pages.
Hydraulic Applications, FAE Forestry & Agricultural Equipment Brochure, 4 pages.
The Bull Hog, "The toughest, most versatile, most practical wood shredder in the world.", Fecon Resource Recovery Equipment & Systems Brochure, 6 pages.
Kennametal, Road Planing, Soil Stabilization, and Reclamation Tools Brochure, 50 pages.
GyroTrac TOMA-AX 500HF High-Flow Cutter Head, 5 pages.

(**) Term: **14 Years**

(21) Appl. No.: **29/274,728**

(22) Filed: **May 18, 2007**

(51) **LOC (8) Cl.** **15-09**

(52) **U.S. Cl.** **D15/139**

(58) **Field of Classification Search** D15/131,
D15/132, 138, 139; 241/27, 73, 197, 242,
241/243, 294, 300; 407/112-119

See application file for complete search history.

* cited by examiner

Primary Examiner—Antoine D. Davis

Assistant Examiner—Patricia Palasik

(74) *Attorney, Agent, or Firm*—Nixon & Vanderhye P.C.

(56) **References Cited**

U.S. PATENT DOCUMENTS

4,129,262	A *	12/1978	Lowry	241/197
5,361,999	A *	11/1994	Sakato et al.	241/300
5,464,164	A *	11/1995	Doppstadt	241/197
5,582,353	A	12/1996	Willibald		
5,692,689	A	12/1997	Shinn		
5,794,866	A	8/1998	Shinn		
5,848,627	A	12/1998	Brown		
5,873,534	A	2/1999	Shinn		
5,957,176	A *	9/1999	Stein	241/294
6,176,445	B1	1/2001	Shinn		
6,293,481	B1 *	9/2001	Ragnarsson	241/197
6,435,434	B1	8/2002	Monyak		
6,481,655	B1	11/2002	Feigel, Jr.		
D525,635	S *	7/2006	East	D15/139
7,222,808	B2	5/2007	Edwards		
7,290,726	B2 *	11/2007	Latham	241/294
2006/0226270	A1 *	10/2006	Kammerer et al.	241/197
2007/0181725	A1	8/2007	Edwards		

(57) **CLAIM**

The ornamental design for a tooth for a cutter, as shown and described.

DESCRIPTION

FIG. 1 is a front perspective view of a tooth for a cutter according to my design;

FIG. 2 is a reverse perspective view thereof;

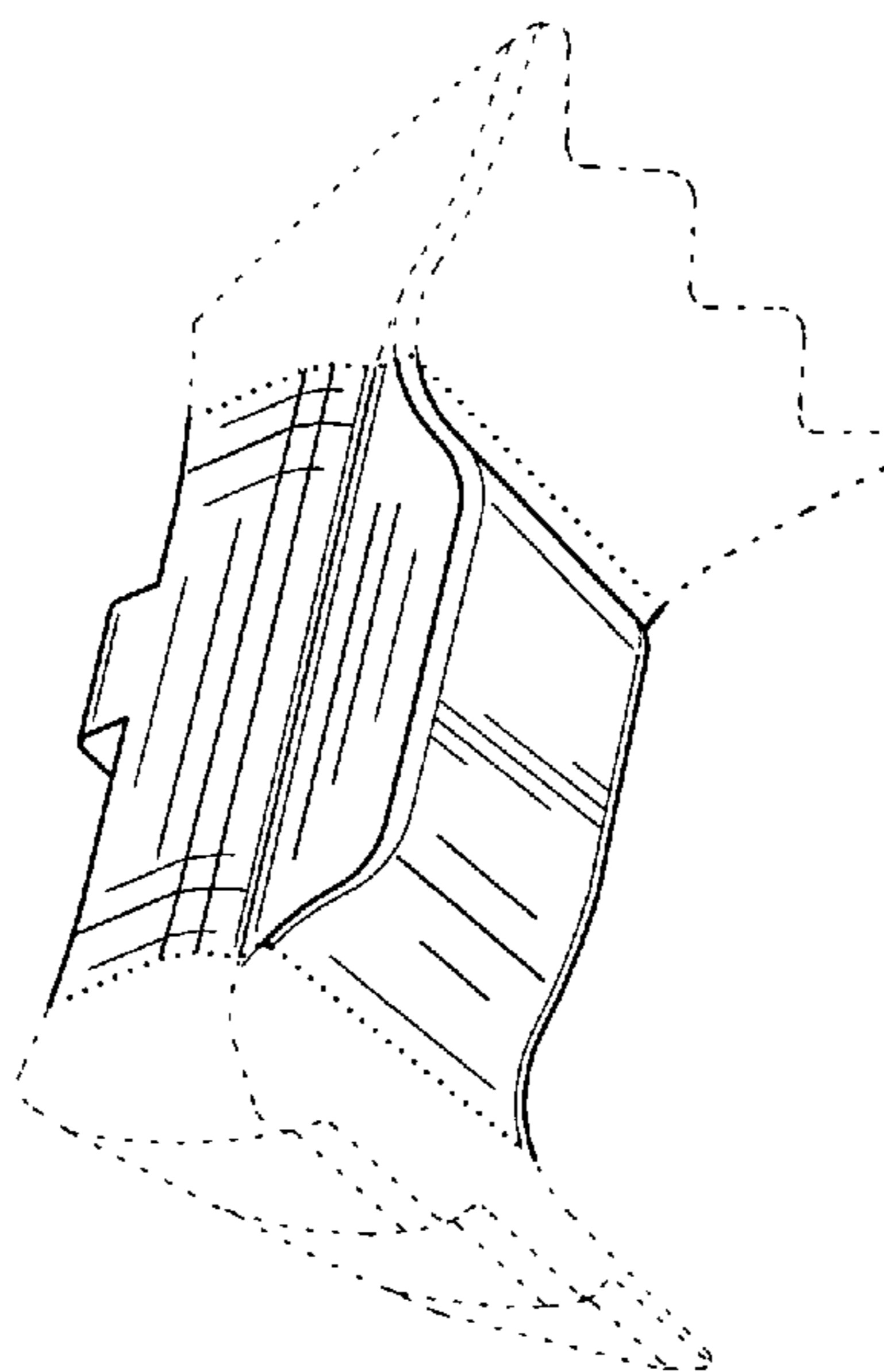
FIG. 3 is a front view thereof;

FIG. 4 is a rear view thereof; and,

FIG. 5 is a bottom view thereof.

Where included, broken lines showing environment or structure are for illustrative purposes only and form no part of the claimed design. Where included, dotted lines represent the border between claimed and non-claimed subject matter and form no part of the claimed design.

1 Claim, 2 Drawing Sheets



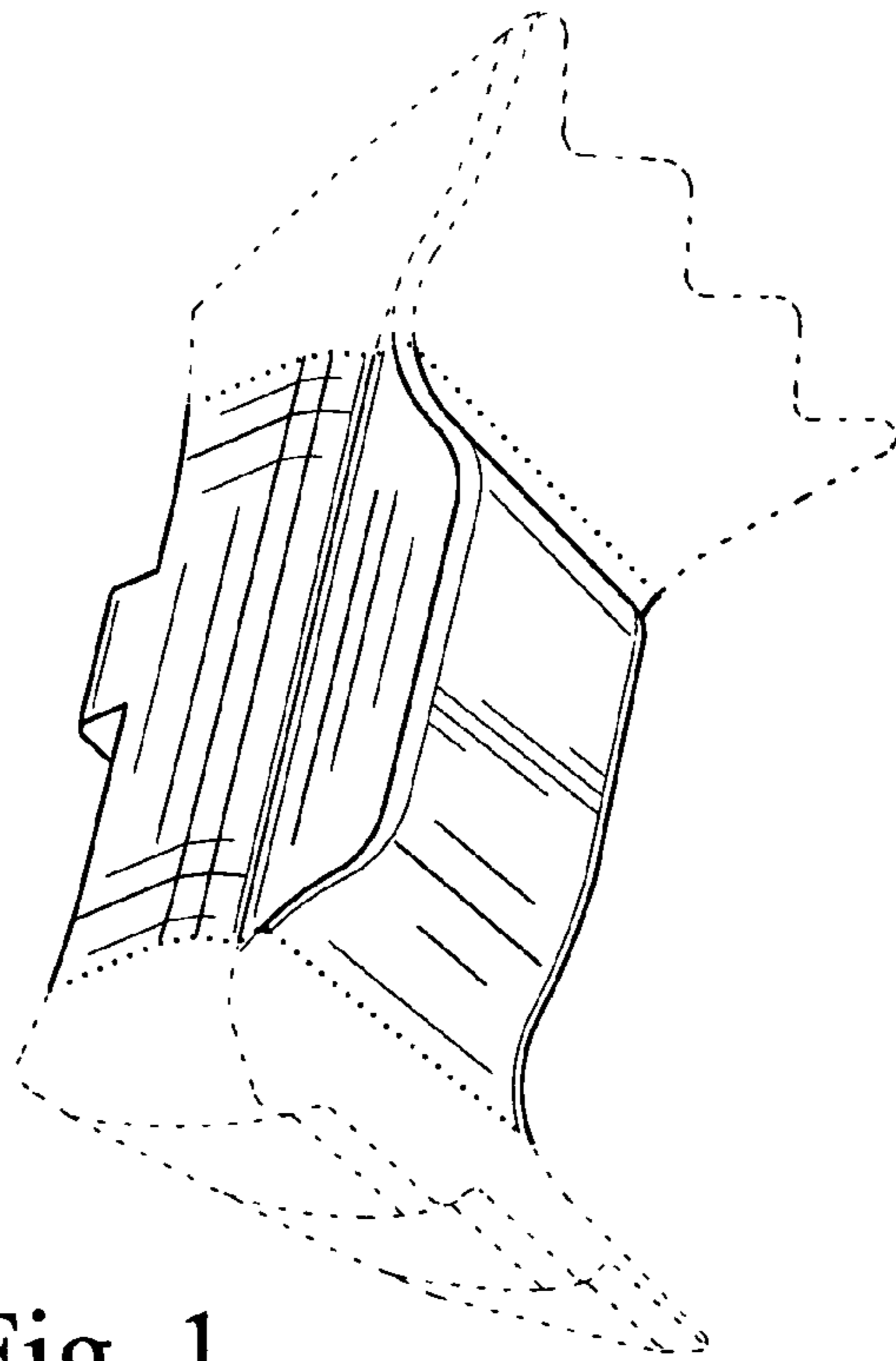


Fig. 1

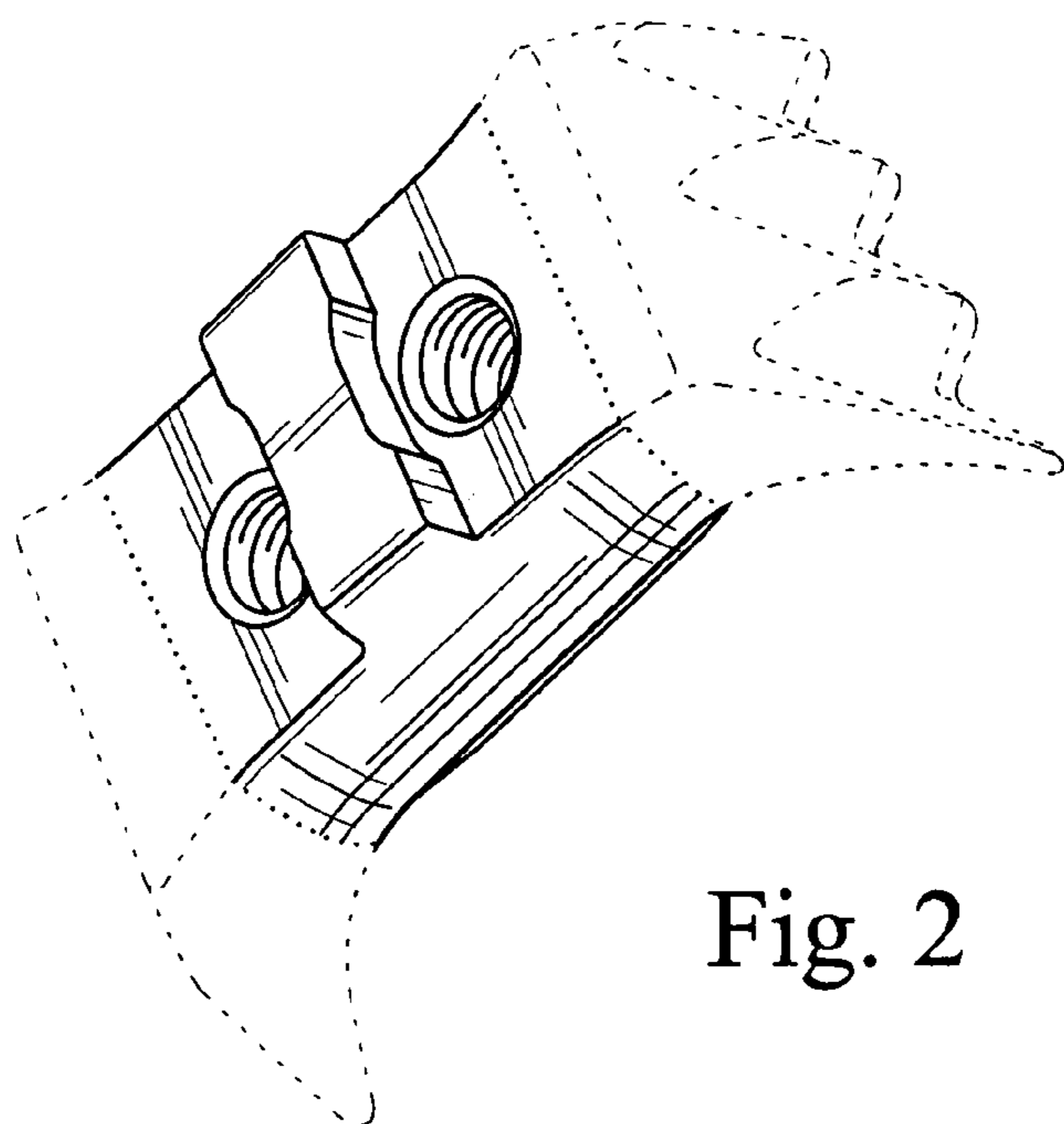


Fig. 2

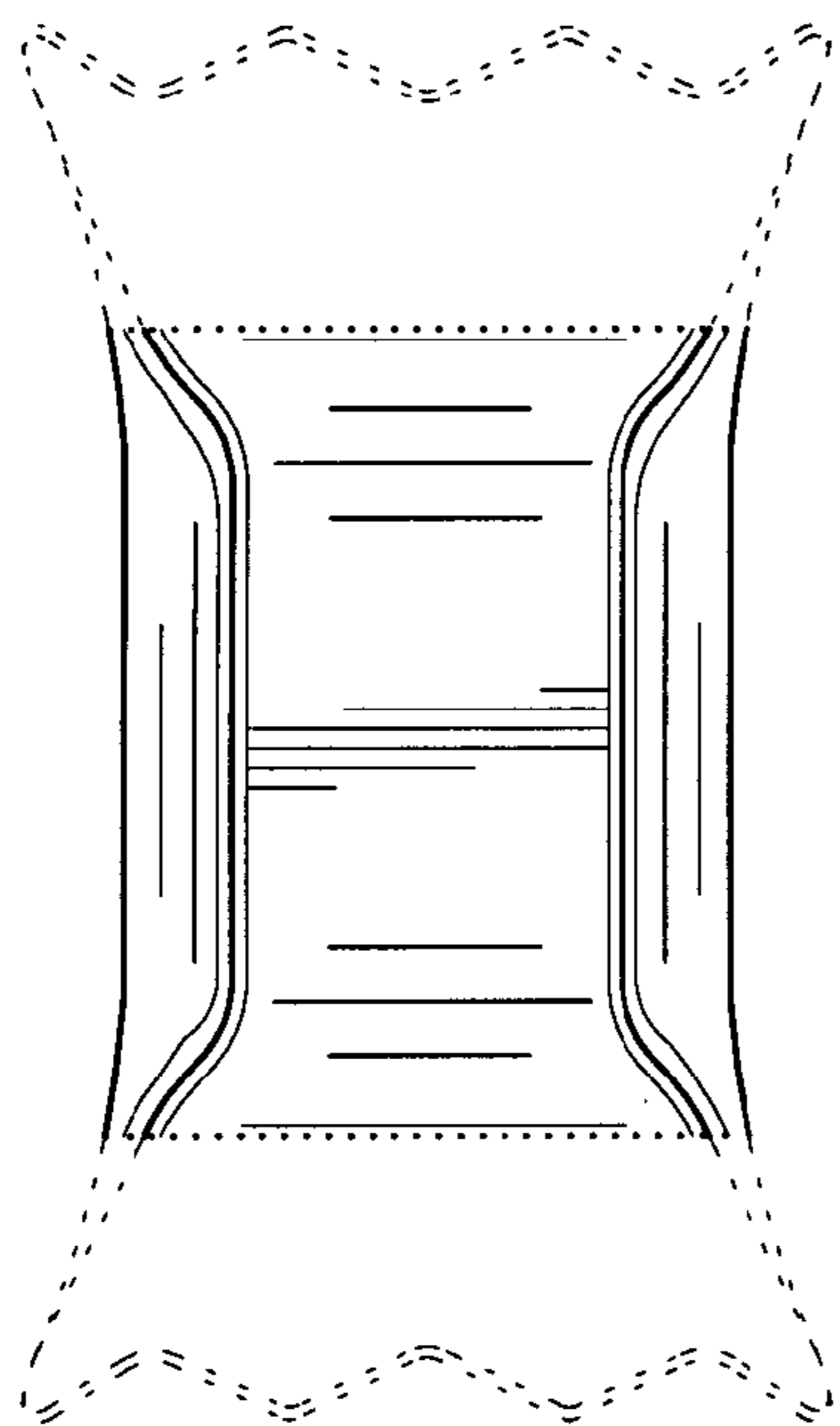


Fig. 3

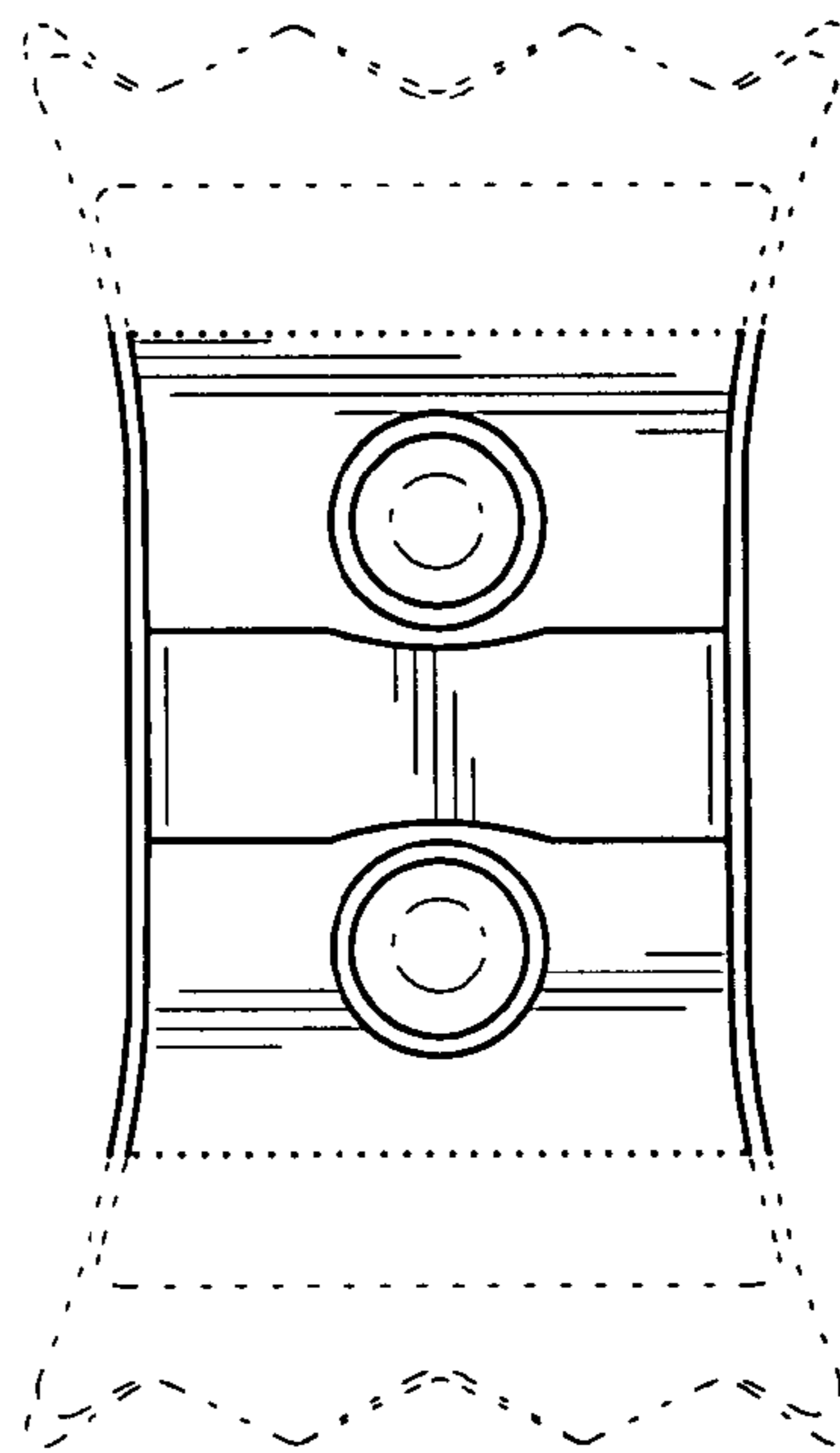


Fig. 4

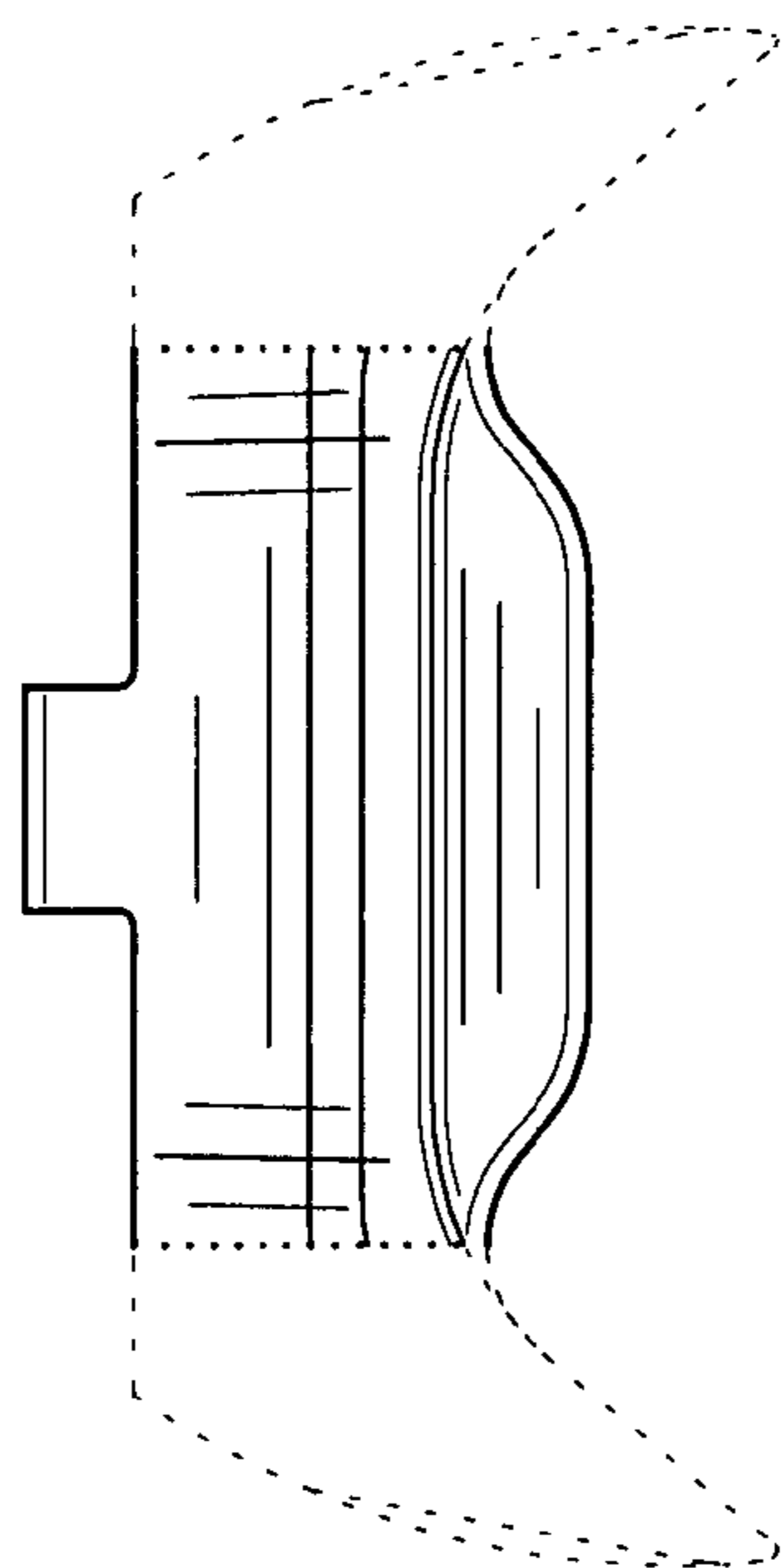


Fig. 5