

US00D567831S

(12) **United States Design Patent** (10) **Patent No.:** **US D567,831 S**  
**Wikle et al.** (45) **Date of Patent:** **\*\* Apr. 29, 2008**

(54) **HANDLE FOR A SAW** 6,272,960 B1 8/2001 Dibbern, Jr. et al.  
6,478,664 B2 11/2002 Brazell  
(75) Inventors: **David L. Wikle**, York, PA (US); 6,595,095 B2 \* 7/2003 Chen ..... 83/581  
**Robert P. Welsh**, Hunt Valley, MD D479,252 S \* 9/2003 Ozawa et al. .... D15/133  
(US) 6,820,528 B1 \* 11/2004 Liu et al. .... 83/471.3  
(73) Assignee: **Black & Decker Inc.**, Newark, DE 2001/0008098 A1 \* 7/2001 Dibbern et al. .... 83/471.3  
(US) 2002/0166240 A1 \* 11/2002 Duford et al. .... 30/388  
2004/0107584 A1 \* 6/2004 Yoshida et al. .... 30/391  
2005/0257656 A1 \* 11/2005 Shibata et al. .... 83/471.3

(\*\*) Term: **14 Years**

**FOREIGN PATENT DOCUMENTS**

(21) Appl. No.: **29/292,416** DE 2443550 4/1976  
DE G 8219967 11/1982  
(22) Filed: **Oct. 11, 2007** DE 4225596 2/1993

**Related U.S. Application Data**

(Continued)

(63) Continuation of application No. 29/235,369, filed on Aug. 1, 2005.

*Primary Examiner*—Antoine D. Davis  
*Assistant Examiner*—Patricia Palasik  
(74) *Attorney, Agent, or Firm*—Mehul R. Jani; Adan Ayala; Charles Yocum

(51) **LOC (8) Cl.** ..... **15-09**  
(52) **U.S. Cl.** ..... **D15/133**  
(58) **Field of Classification Search** ..... D8/62,  
D8/66, 97, 107, 300, 303; D15/133, 134;  
30/377-378, 388-391, 517-525; 83/471.2-471.3,  
83/472, 477.1-477.2, 581  
See application file for complete search history.

(57) **CLAIM**

The ornamental design for a handle for a saw, as shown and described.

(56) **References Cited**

**DESCRIPTION**

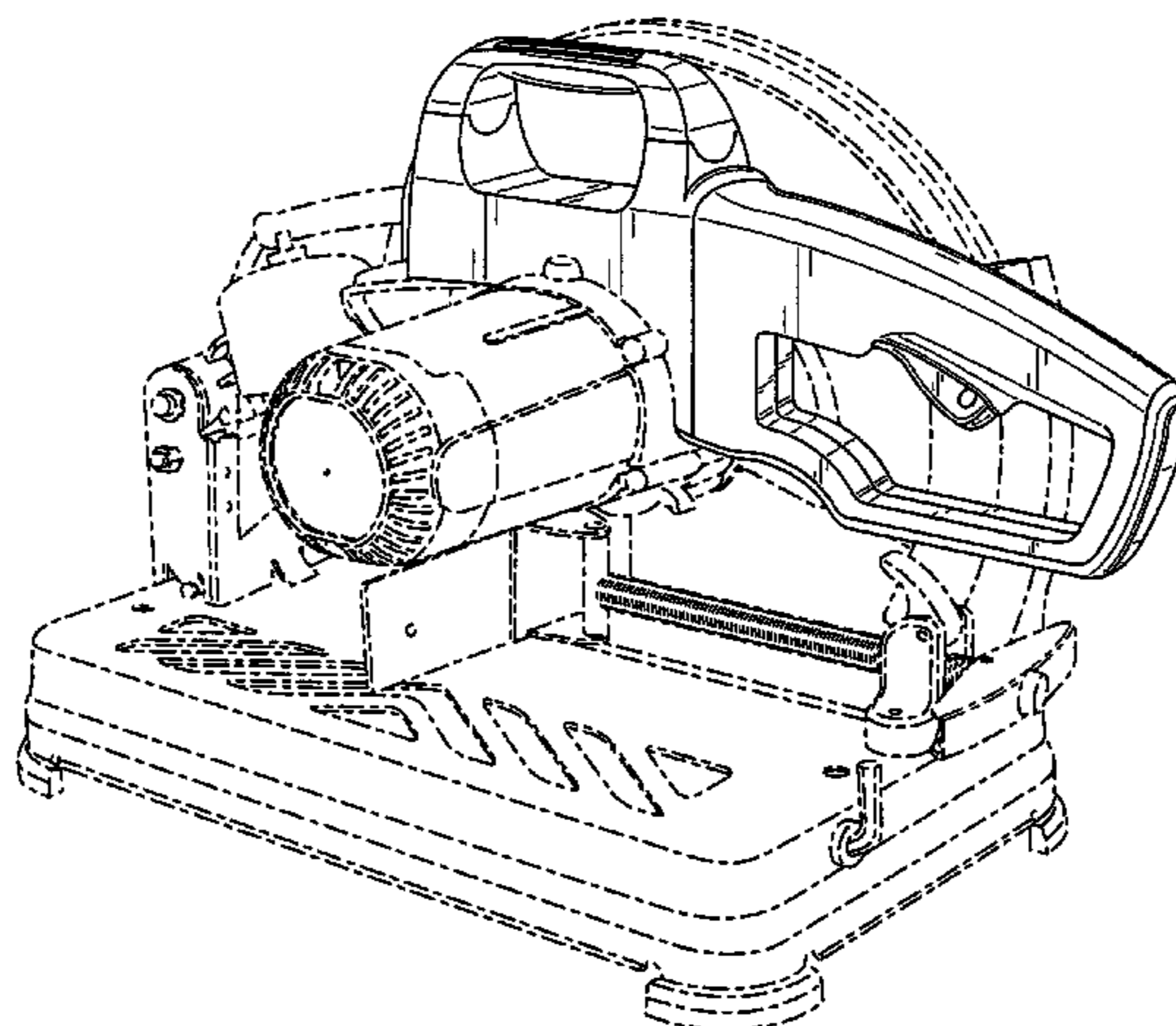
**U.S. PATENT DOCUMENTS**

3,994,192 A 11/1976 Faig  
4,569,510 A 2/1986 Haramoto  
4,774,866 A 10/1988 Dehari et al.  
5,054,352 A 10/1991 Fushiya et al.  
5,063,805 A 11/1991 Brundage  
5,146,825 A 9/1992 Dehari  
5,249,496 A \* 10/1993 Hirsch et al. .... 83/471.3  
5,355,635 A 10/1994 Sasaki et al.  
5,540,210 A \* 7/1996 Jones ..... 125/13.01  
5,623,860 A 4/1997 Schoene et al.  
D389,494 S \* 1/1998 Chen ..... D15/133  
5,778,747 A \* 7/1998 Chen ..... 83/471.3  
5,941,152 A 8/1999 Kim  
D420,021 S \* 2/2000 Higuchi et al. .... D15/133  
D424,072 S \* 5/2000 Shibata et al. .... D15/133

FIG. 1 is a perspective view of a handle for a saw showing the new design.  
FIG. 2 is a front view thereof.  
FIG. 3 is a back view thereof.  
FIG. 4 is a right side view thereof.  
FIG. 5 is a left side view thereof  
FIG. 6 is a top view thereof.  
FIG. 7 is a bottom view thereof; and,  
FIG. 8 is a front perspective view in an open position thereof.

In the above drawings the broken lines and the areas within the broken lines form no part of the claimed design.

**1 Claim, 8 Drawing Sheets**



# US D567,831 S

Page 2

---

## FOREIGN PATENT DOCUMENTS

DE	4322690	2/1994
DE	2960343	7/1996
DE	29609360 U	9/1996
DE	29707664 U	7/1997
DE	19832984	1/1998
DE	19900798	7/1999
DE	19937827	4/2000

DE	20106482 U	8/2001
EP	0 297 469	1/1989
EP	0 299 155	1/1989
EP	0 379 322 B1	7/1990
EP	0 407 204 B1	1/1991
EP	0 541 051	5/1993
EP	1 036 622 A2	9/2000

\* cited by examiner

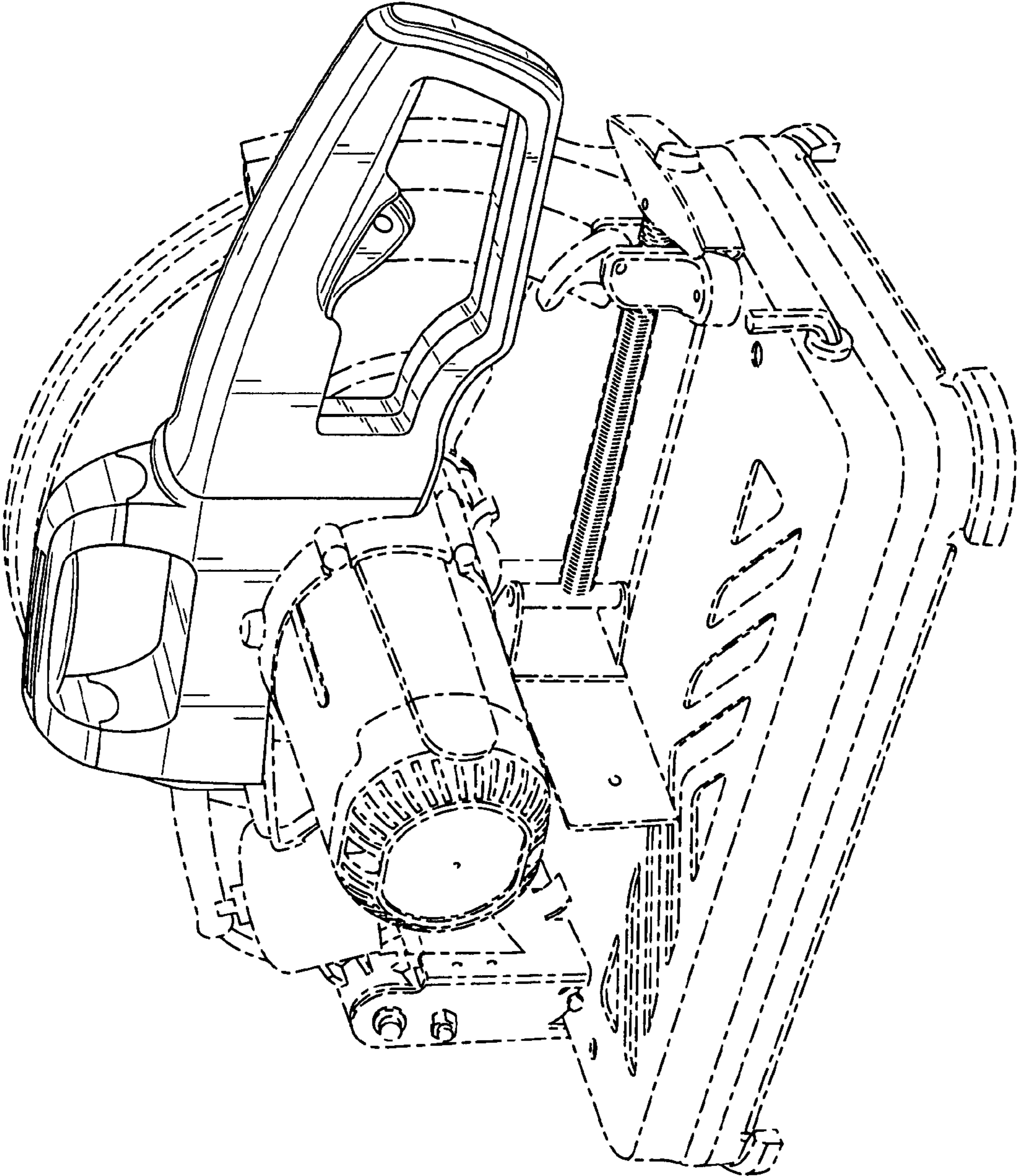


FIG. 1

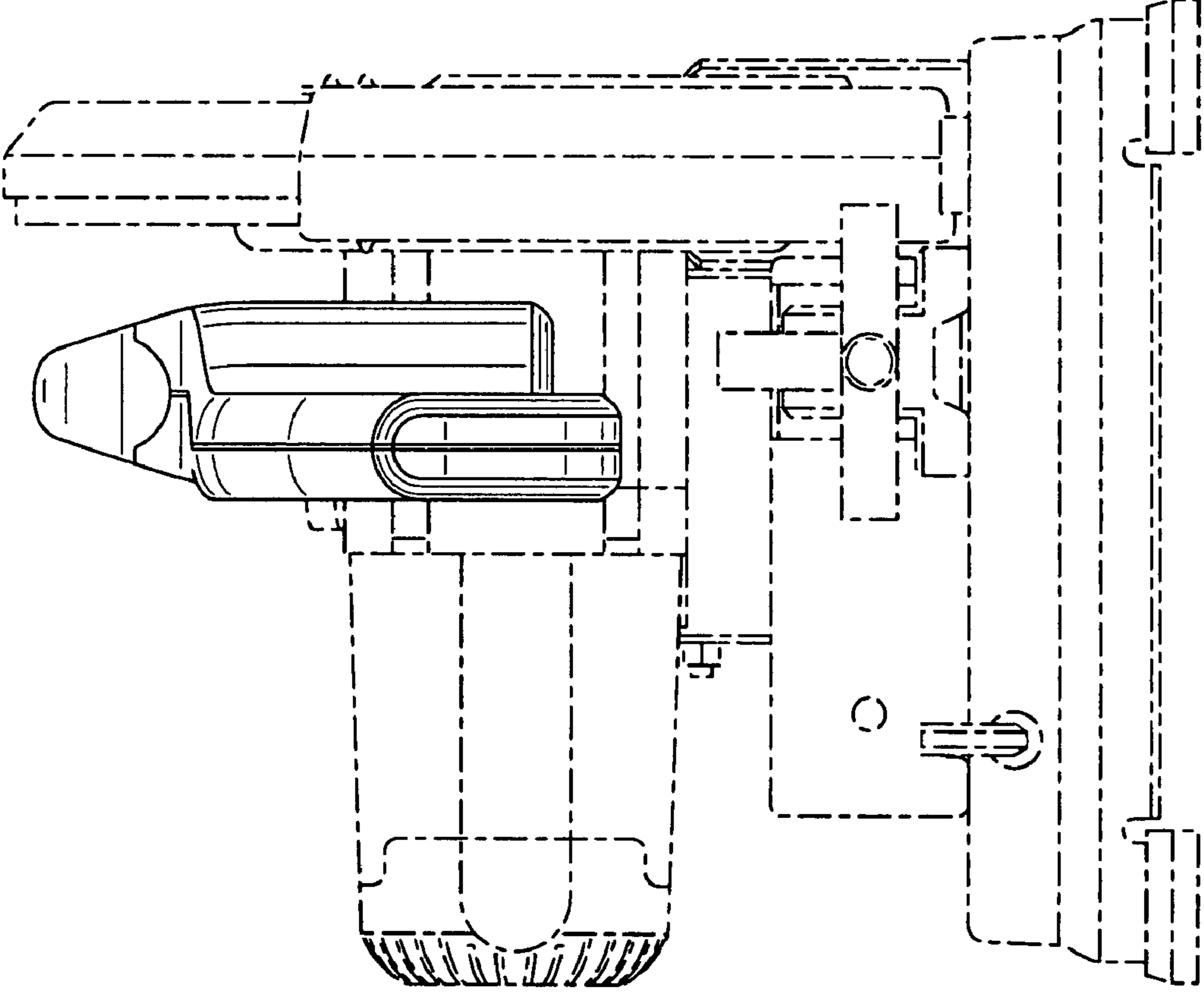


FIG. 2

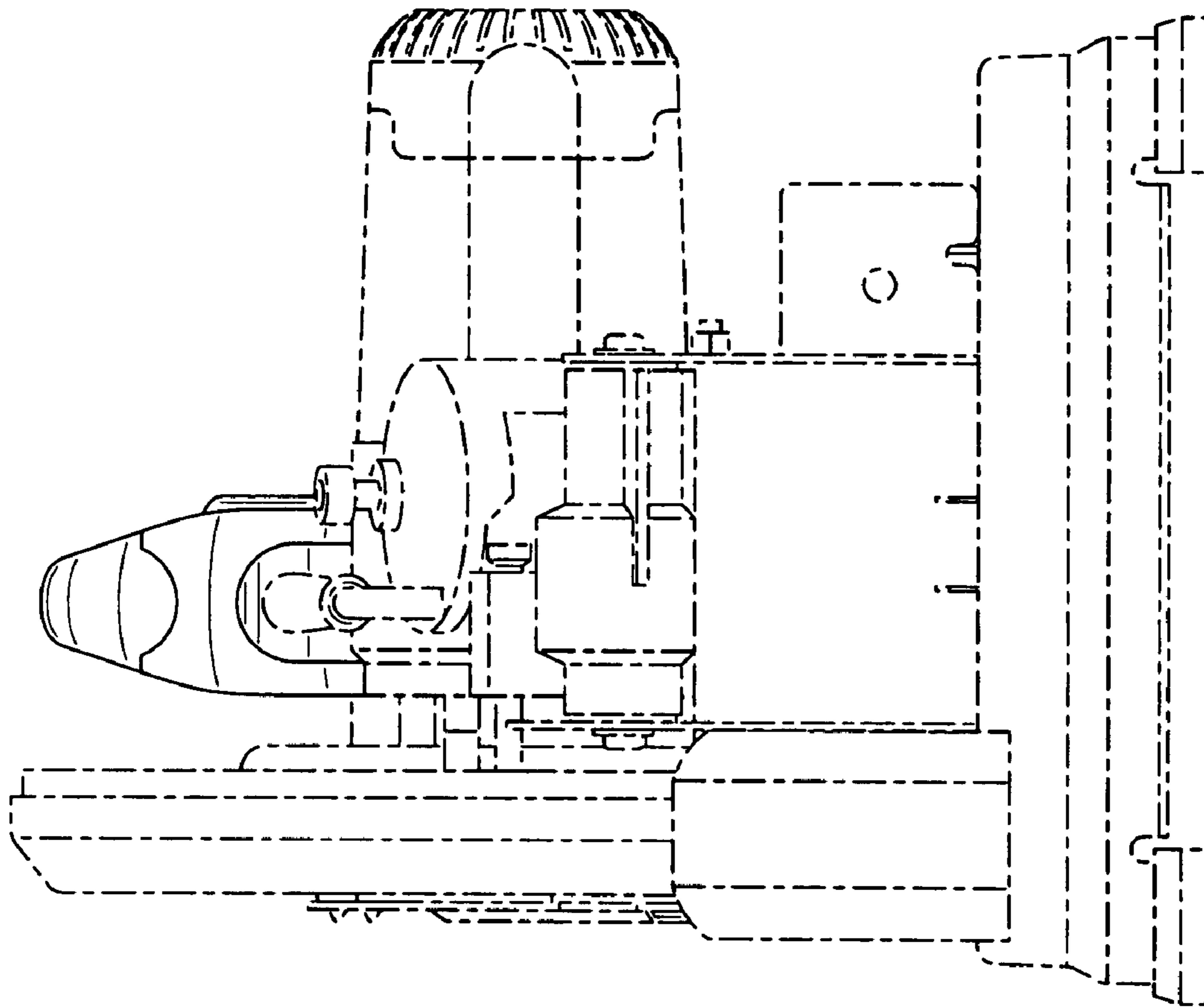


FIG. 3

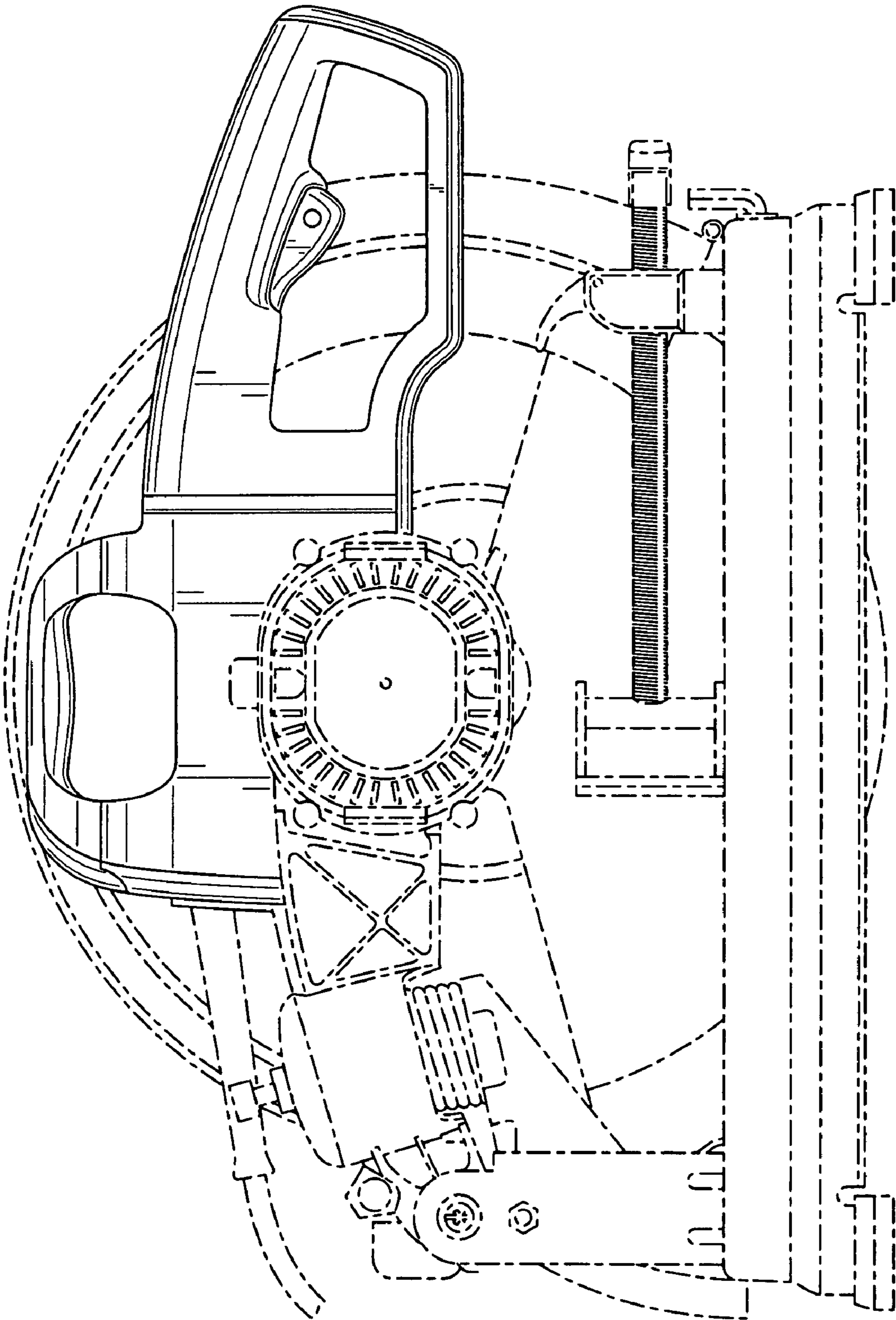


FIG. 4

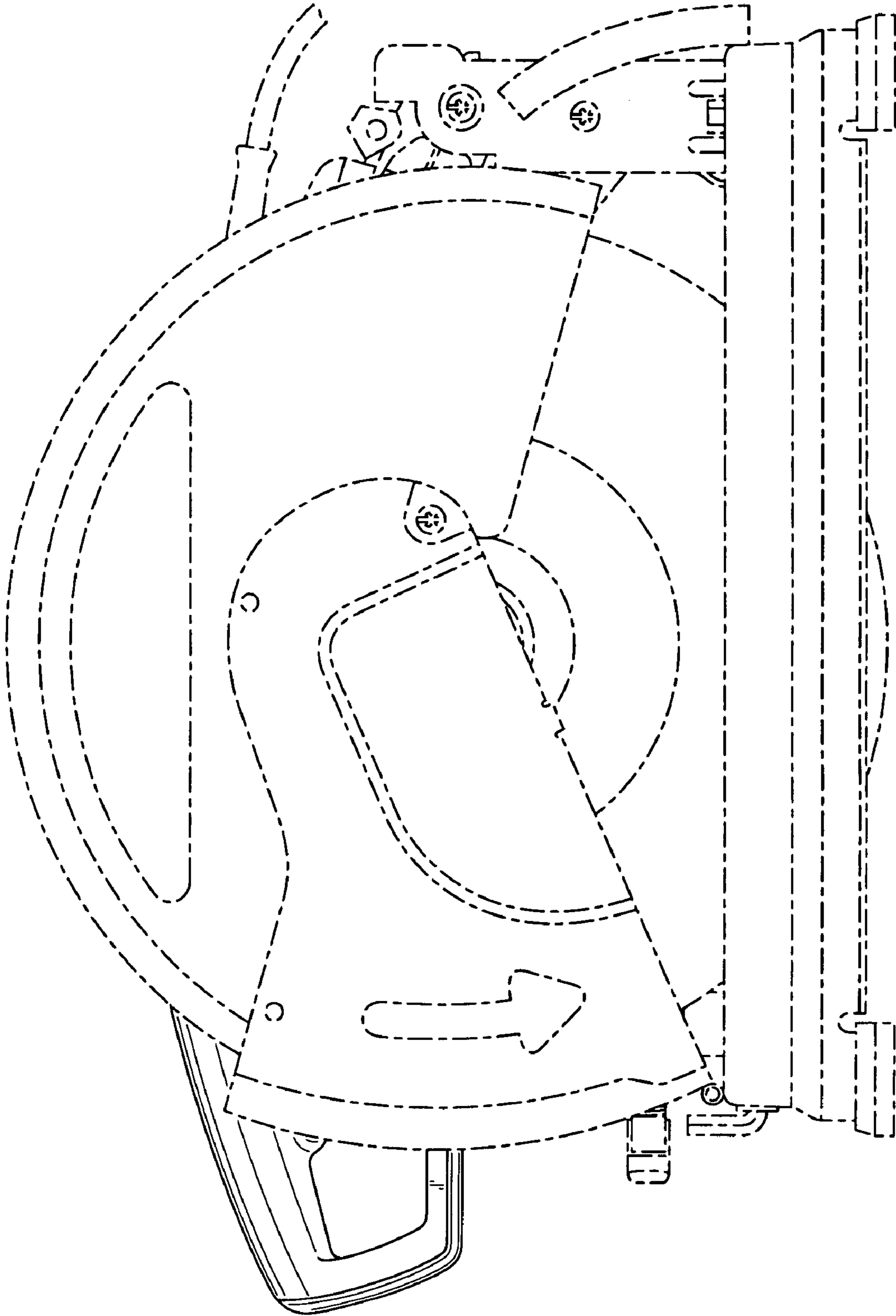


FIG. 5

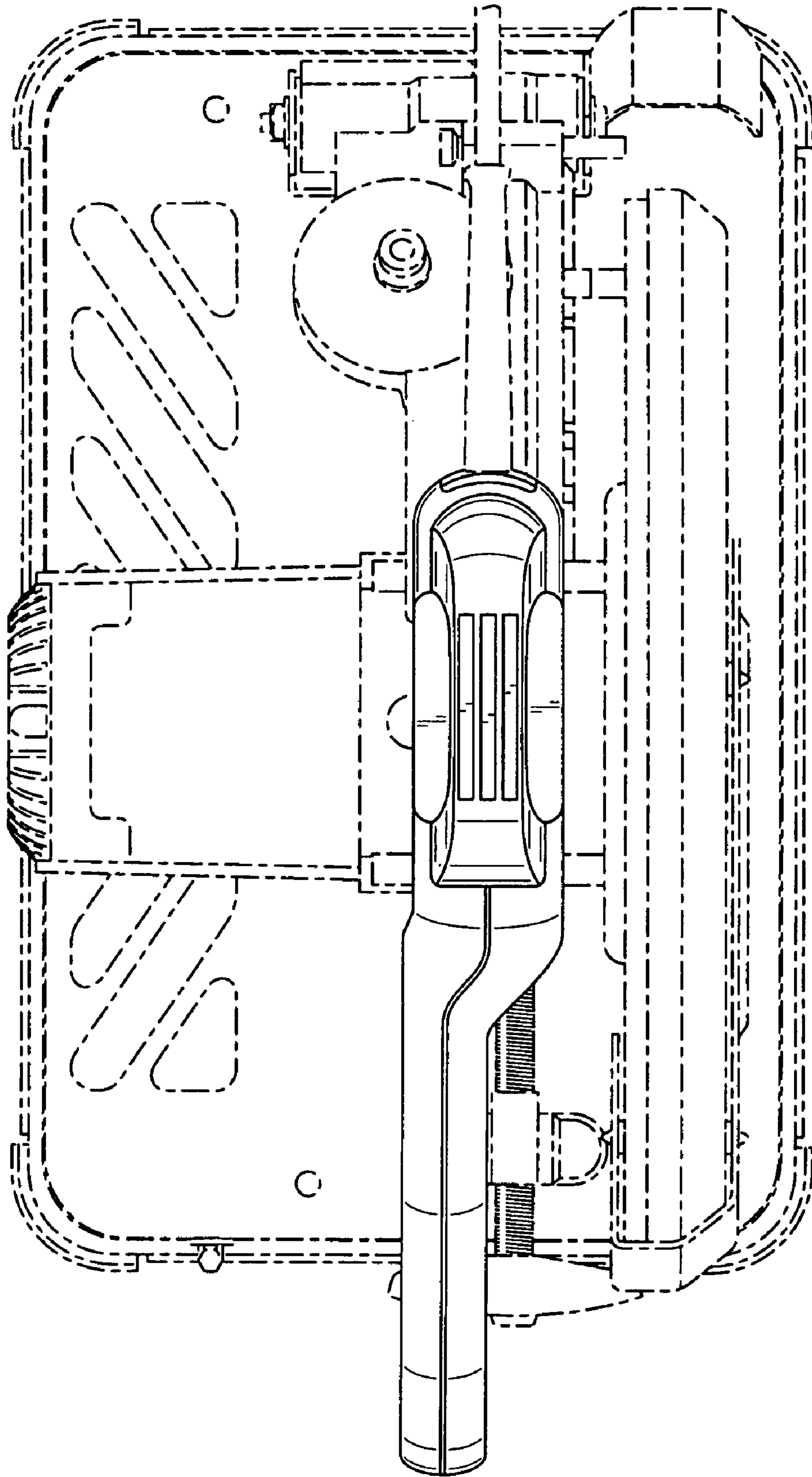


FIG. 6



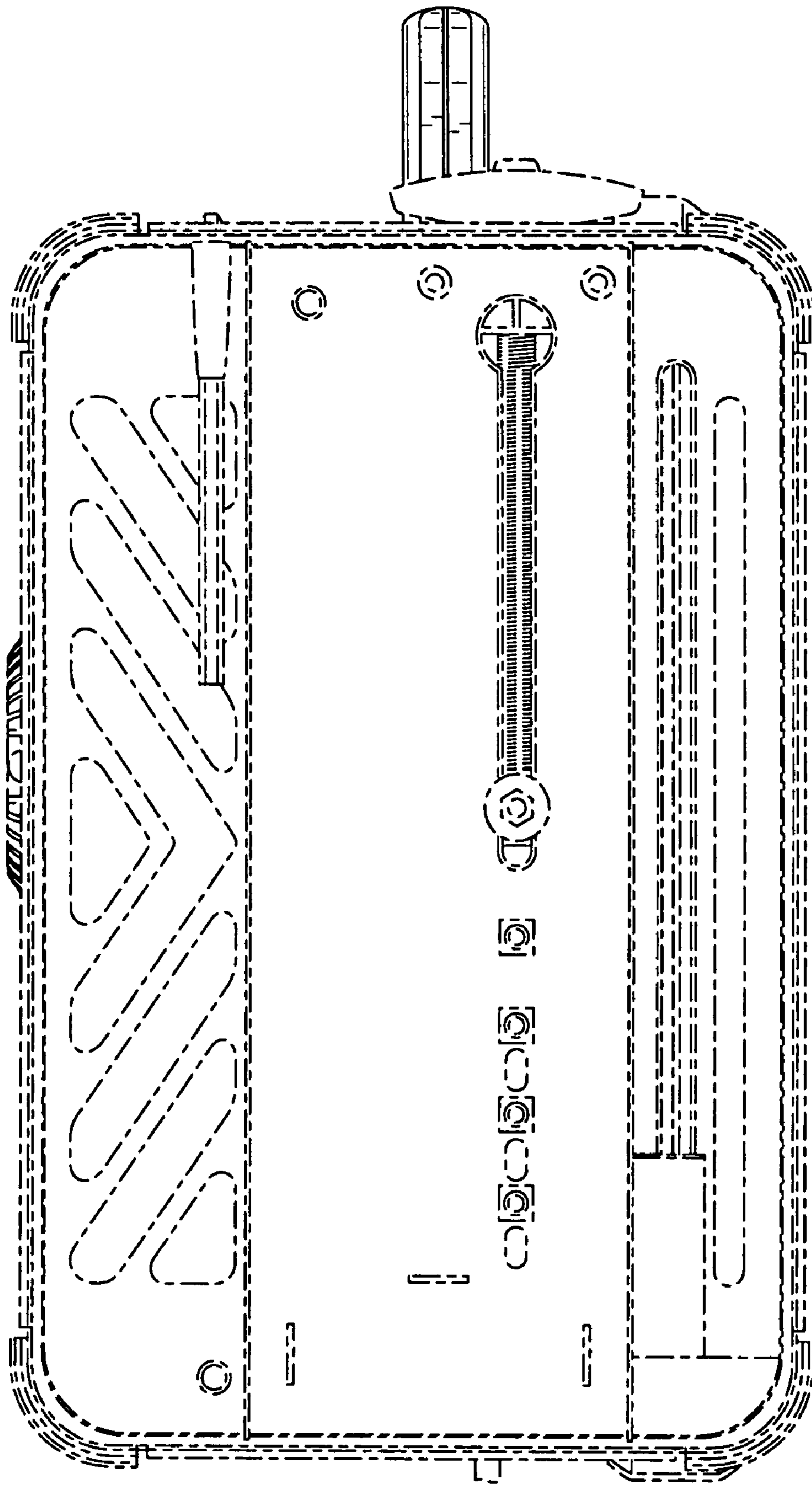


FIG. 7

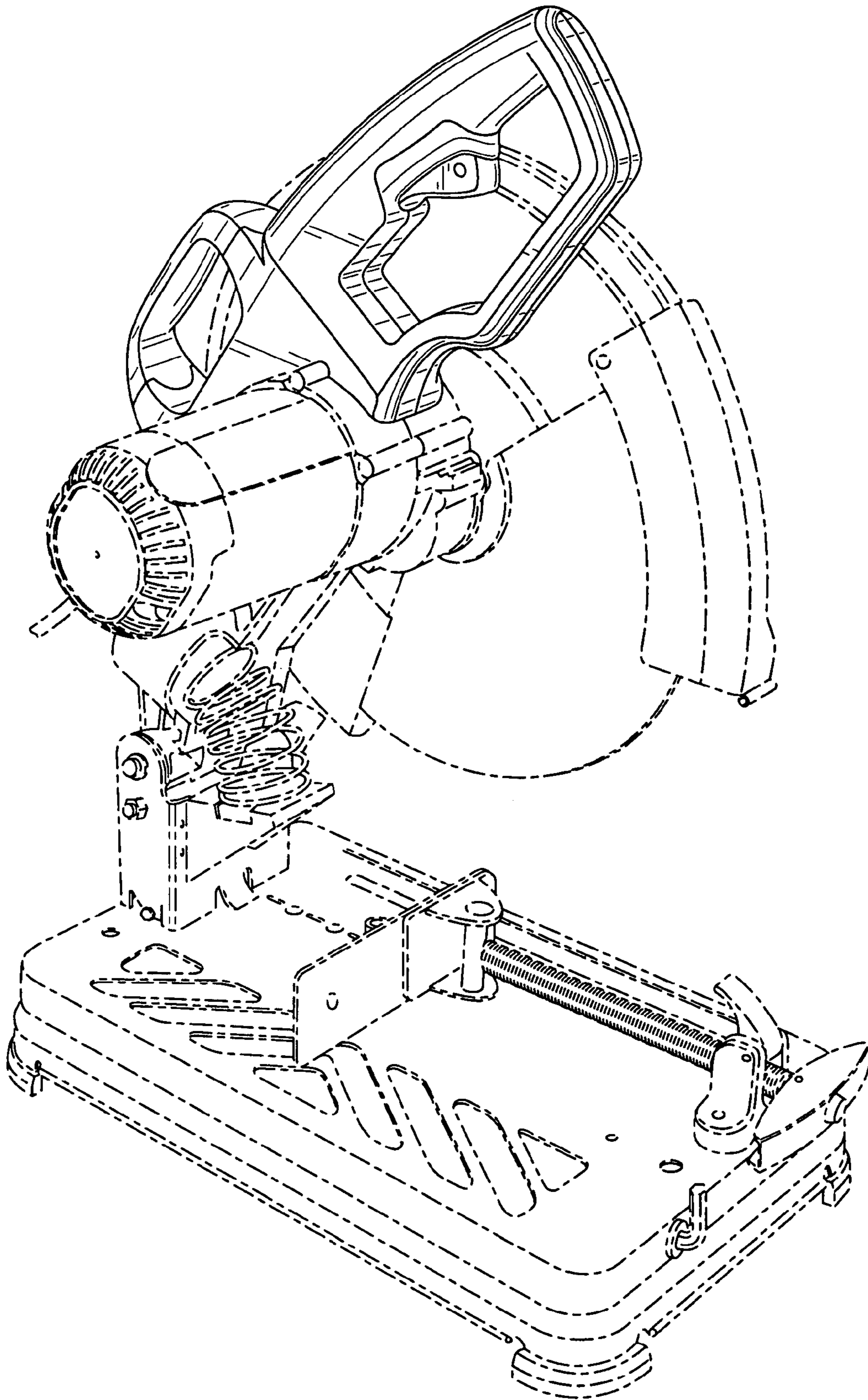


FIG. 8