



US00D567830S

(12) **United States Design Patent**
Neumann et al.

(10) **Patent No.: US D567,830 S**

(45) **Date of Patent: ** Apr. 29, 2008**

(54) **ANGLE HEAD**

(75) Inventors: **Andreas Neumann**, Gengenbach (DE);
Christoph Zeller, Hausach (DE)

(73) Assignee: **Benz GmbH Werkzeug-und
Maschinenbau KG**, Haslach (DE)

(**) Term: **14 Years**

(21) Appl. No.: **29/225,013**

(22) Filed: **Mar. 9, 2005**

(51) **LOC (8) Cl.** **15-09**

(52) **U.S. Cl.** **D15/132**

(58) **Field of Classification Search** D8/61,
D8/68; D15/132, 140; 15/237.7; 51/97.1,
51/105 R, 134.5, 165 R, 170 MT, 215 H,
51/219 R; 248/213.1; 409/131, 144, 215,
409/230, 233, 234; 425/87, 458; 483/1
See application file for complete search history.

(56) **References Cited**

U.S. PATENT DOCUMENTS

2,319,465 A * 5/1943 McCombs 74/423
2,716,363 A * 8/1955 Wasylow 81/57.29
D232,762 S * 9/1974 Lanese D15/140
D324,801 S * 3/1992 Caskey et al. D8/68
D327,830 S * 7/1992 Fisher D8/68

5,301,471 A * 4/1994 Fisher et al. 15/97.1
5,423,666 A * 6/1995 MacMillan 425/87
D361,028 S * 8/1995 Izumisawa D8/68
6,592,305 B1 * 7/2003 Boisvert 409/131
D507,166 S * 7/2005 Chen D8/68
2006/0219852 A1 * 10/2006 Kawai et al. 248/213.1
2007/0071566 A1 * 3/2007 Young et al. 409/234

* cited by examiner

Primary Examiner—Antoine D. Davis

Assistant Examiner—Patricia Palasik

(74) *Attorney, Agent, or Firm*—Pandiscio & Pandiscio

(57) **CLAIM**

The ornamental design for an angle head, as shown.

DESCRIPTION

FIG. 1 is a perspective view of a first embodiment of an angle head showing our new design;

FIG. 2 is a left side elevational view thereof;

FIG. 3 is a right side elevational view thereof;

FIG. 4 is a rear elevational view thereof;

FIG. 5 is a front elevational view thereof;

FIG. 6 is a bottom view thereof; and,

FIG. 7 is a top plan view thereof.

1 Claim, 7 Drawing Sheets

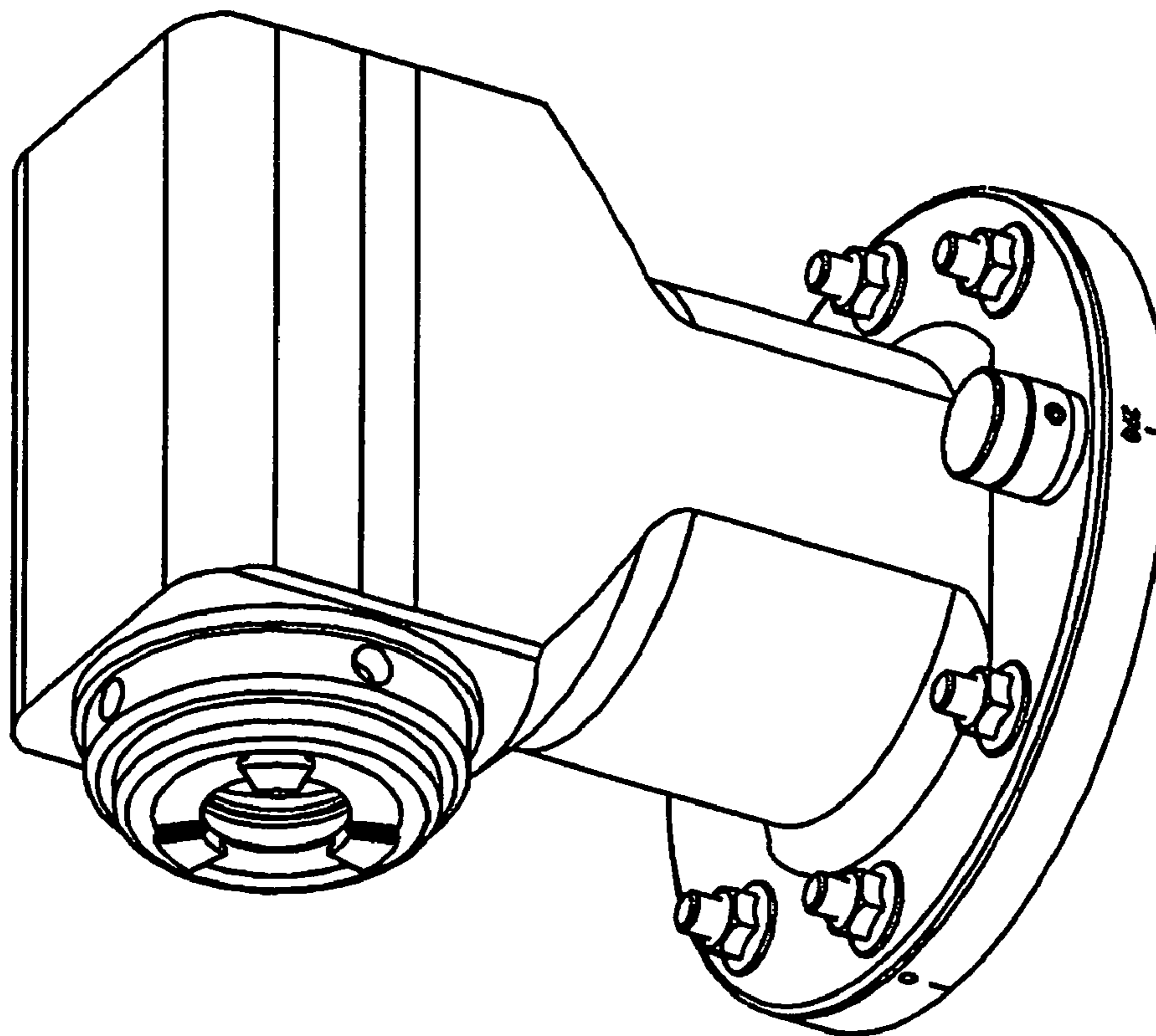


Fig. 1

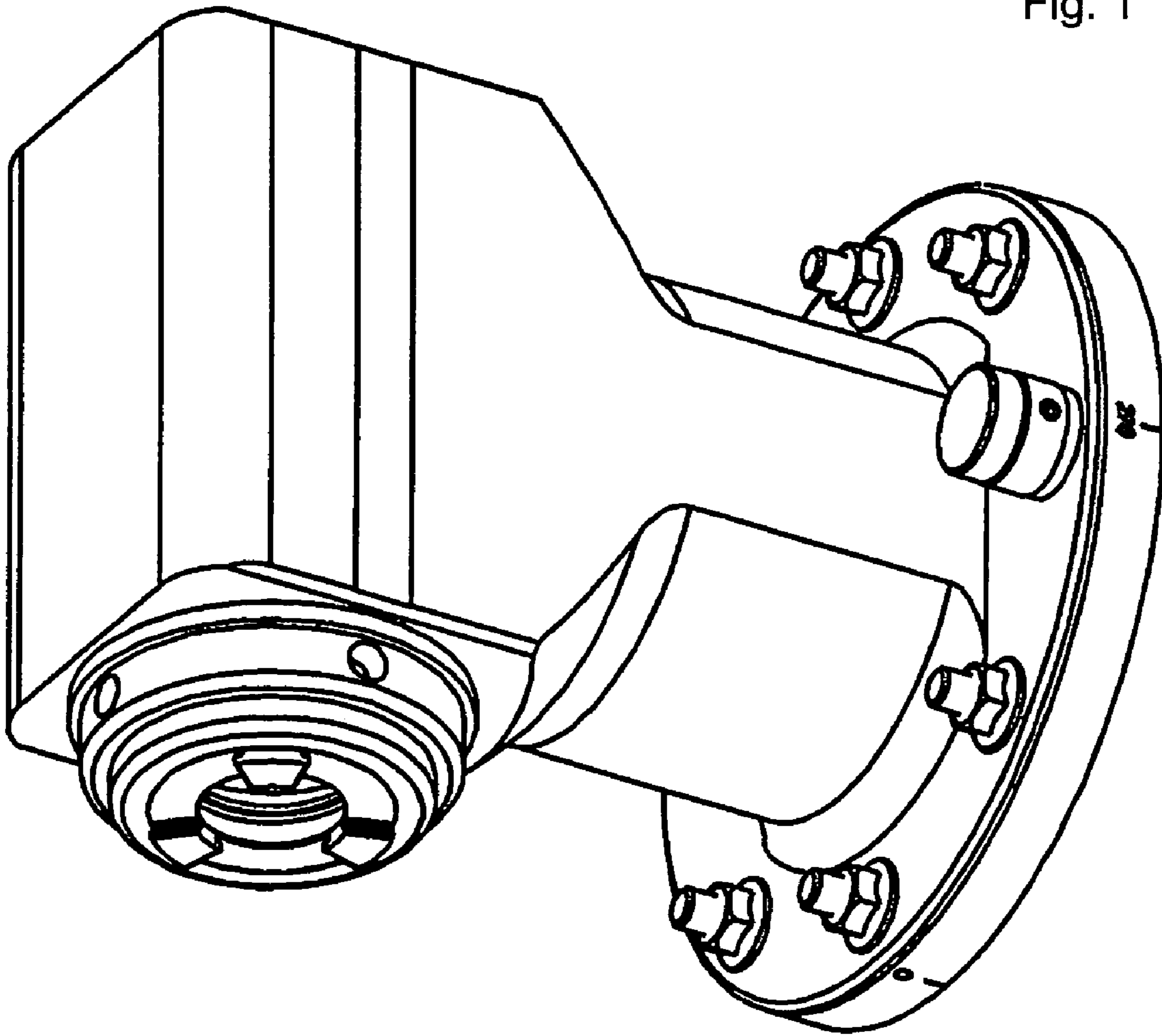


Fig. 2

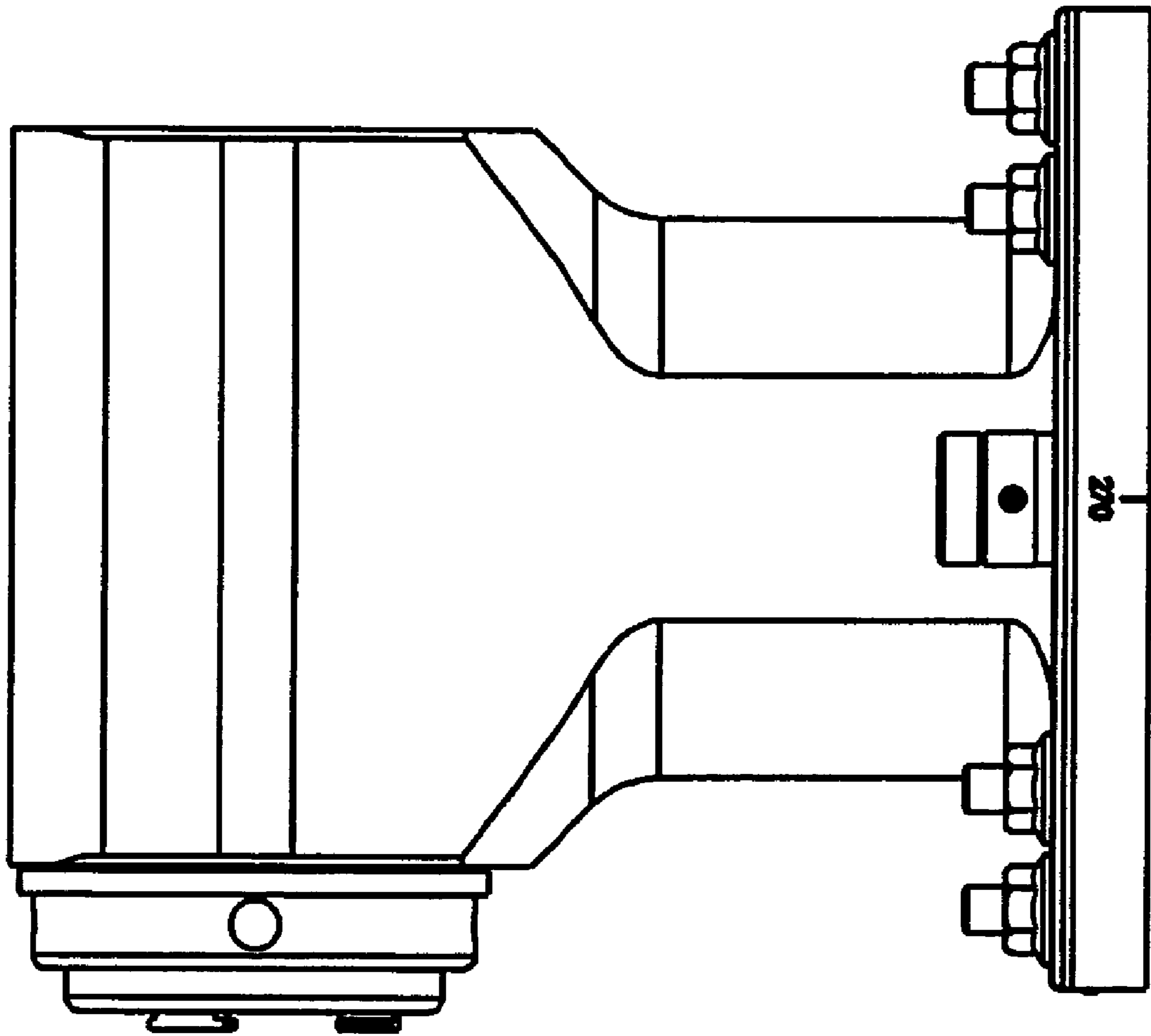


Fig. 3

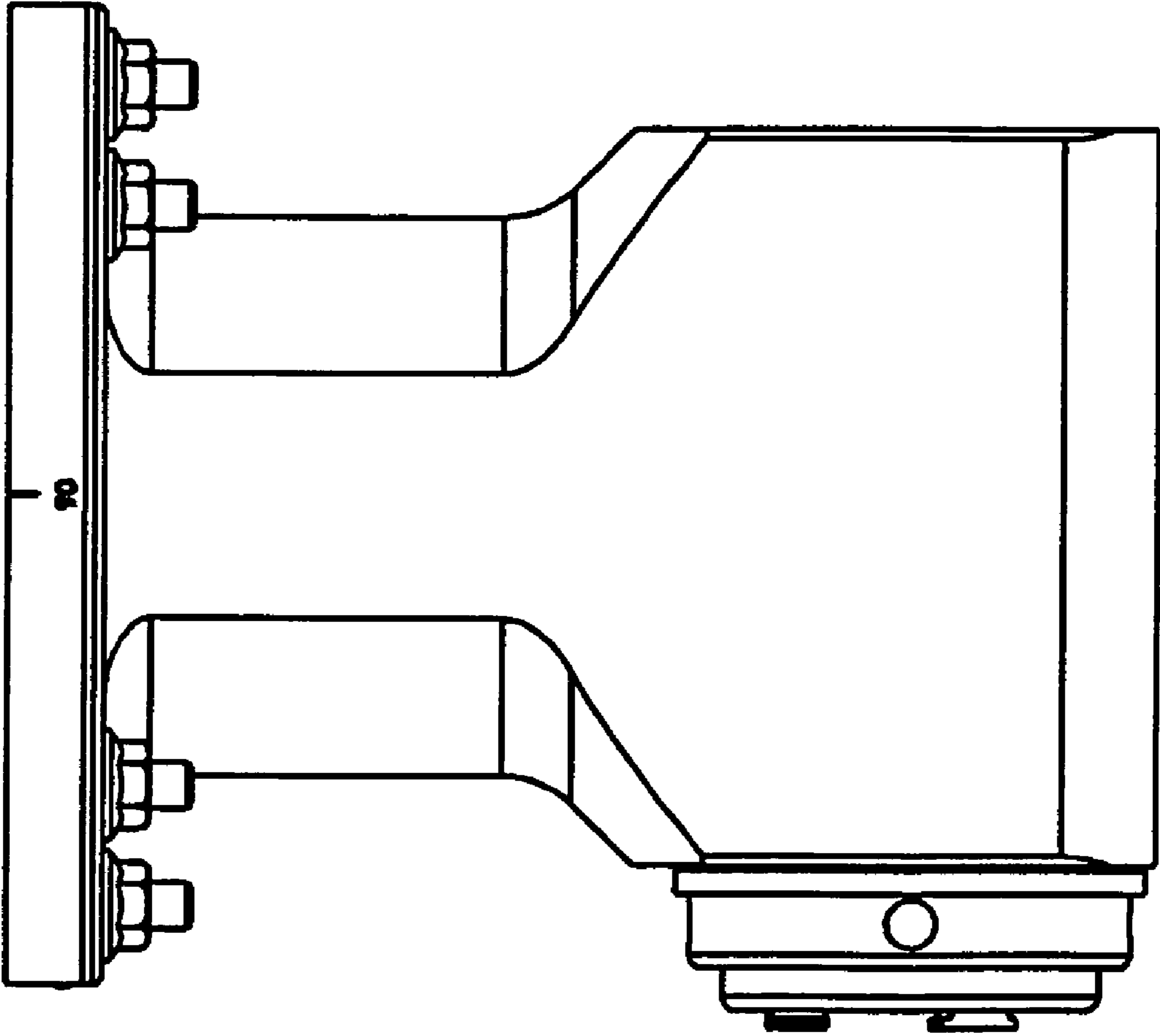


Fig. 4

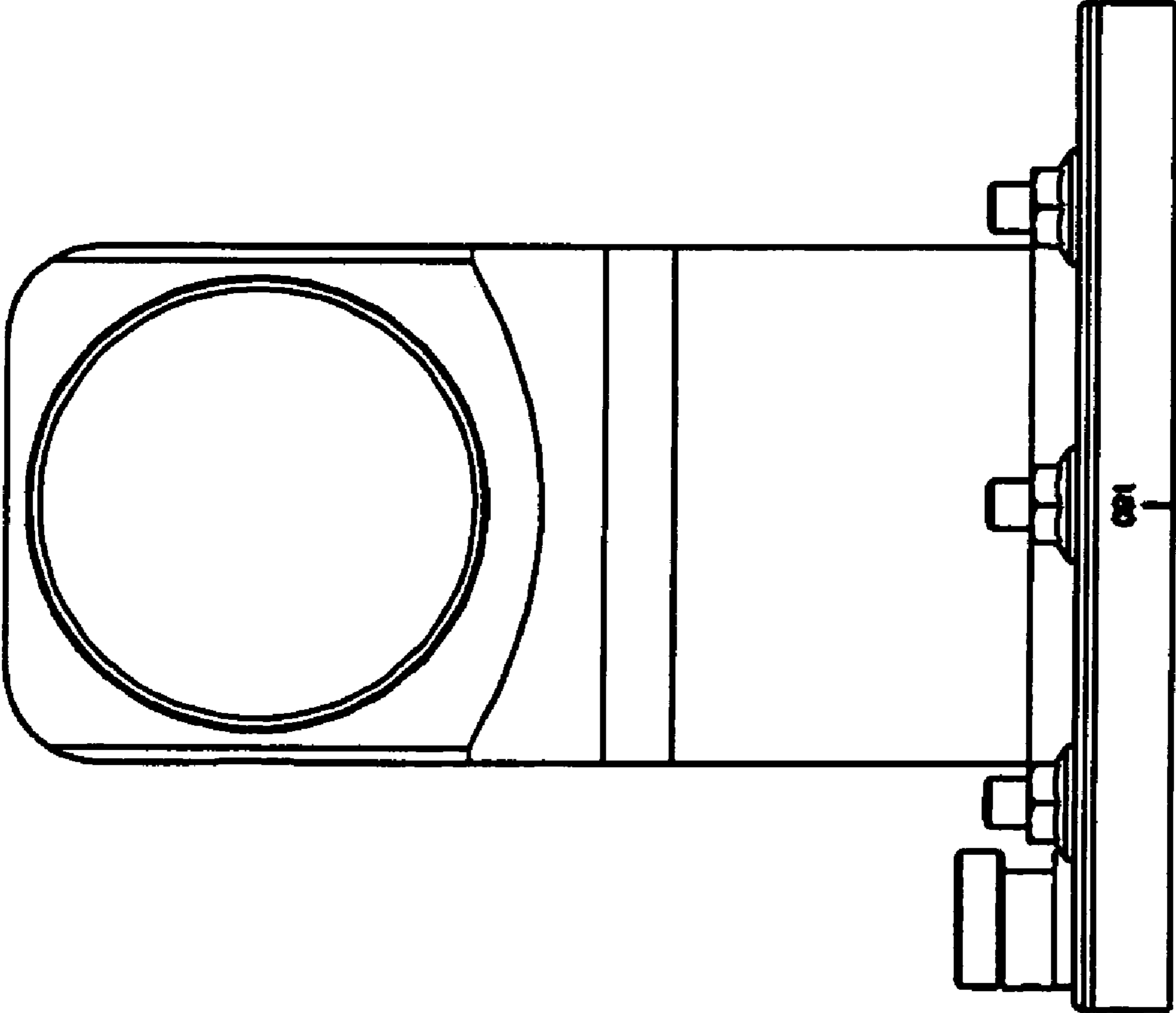


Fig. 5

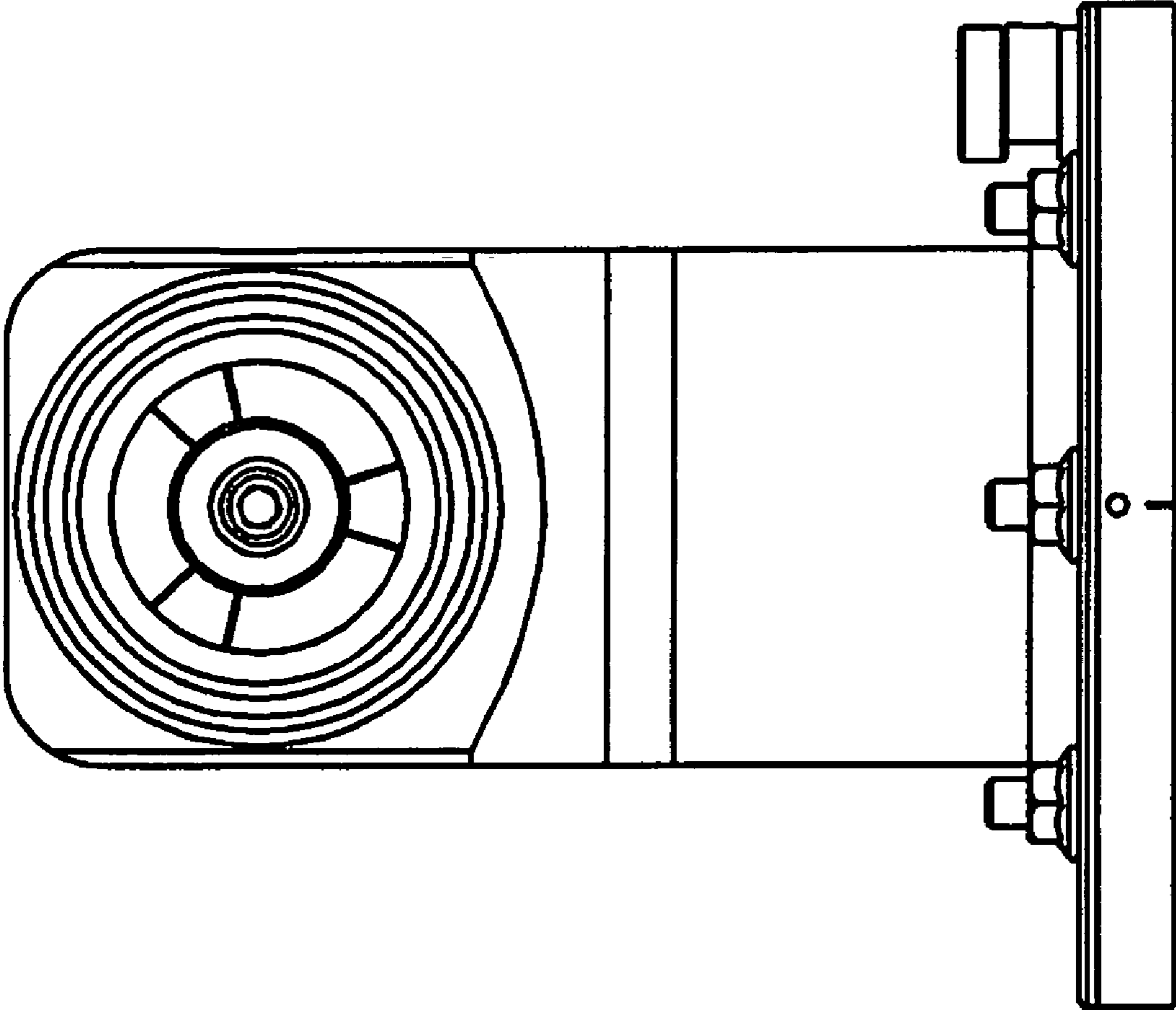


Fig. 6

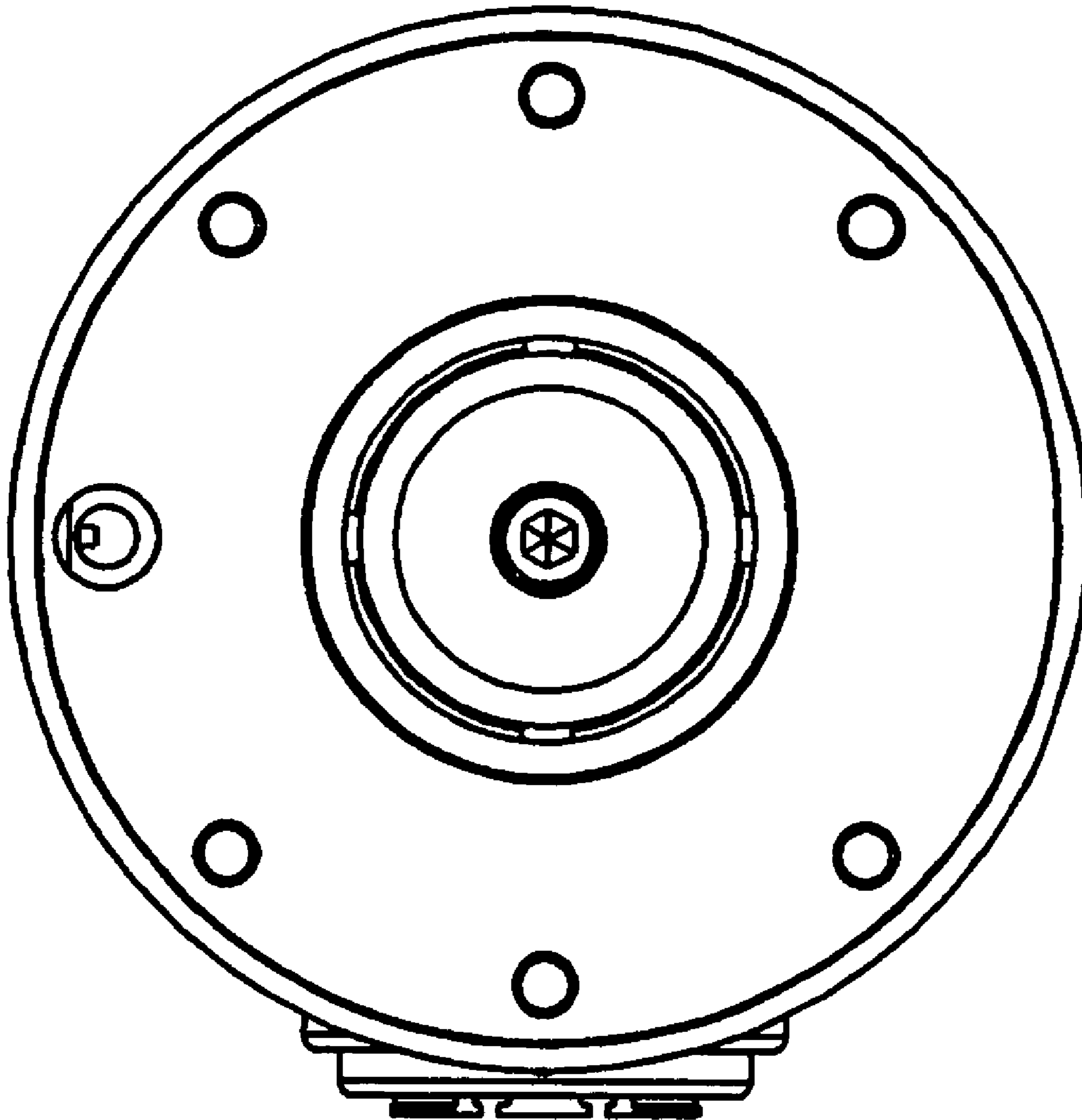


Fig. 7

