



US00D567829S

(12) **United States Design Patent**
Stephansky et al.

(10) **Patent No.:** **US D567,829 S**

(45) **Date of Patent:** **** Apr. 29, 2008**

(54) **REFRACTORY BLOCK**

(75) Inventors: **John J. Stephansky**, Fair Oaks, PA (US); **John E. Berry**, Wexford, PA (US)

(73) Assignee: **Harbison-Walker Refractories Company**, Moon Township, PA (US)

(**) Term: **14 Years**

(21) Appl. No.: **29/228,940**

(22) Filed: **Apr. 29, 2005**

(51) **LOC (8) Cl.** **15-09**

(52) **U.S. Cl.** **D15/123**

(58) **Field of Classification Search** D15/123, D15/131; 52/250, 474, 504, 506.02, 567, 52/568, 574, 578, 596, 603-605, 608, 609, 52/612; 110/332, 336, 338; 432/252, 298
See application file for complete search history.

(56) **References Cited**

U.S. PATENT DOCUMENTS

- D198,114 S * 4/1964 Hall D25/113
- 3,181,278 A * 5/1965 Jones 52/506.04
- 3,346,248 A * 10/1967 Martinet et al. D25/113
- 4,069,633 A * 1/1978 Cooper et al. 52/596
- 5,117,604 A * 6/1992 Bly et al. 52/509

- 5,647,185 A * 7/1997 Forlini 52/604
- 5,704,781 A * 1/1998 Swoboda 432/119
- D403,437 S * 12/1998 Risi et al. D25/113
- D516,734 S * 3/2006 Keys et al. D25/113
- 2005/0252145 A1 * 11/2005 MacDonald et al. 52/603

* cited by examiner

Primary Examiner—Antoine D. Davis

Assistant Examiner—Patricia Palasik

(74) *Attorney, Agent, or Firm*—Kusner & Jaffe

(57) **CLAIM**

The ornamental design for the refractory block, as shown as described.

DESCRIPTION

FIG. 1 is a front, perspective view of a refractory block showing our new design;

FIG. 2 is a back, perspective view thereof;

FIG. 3 is a front view thereof;

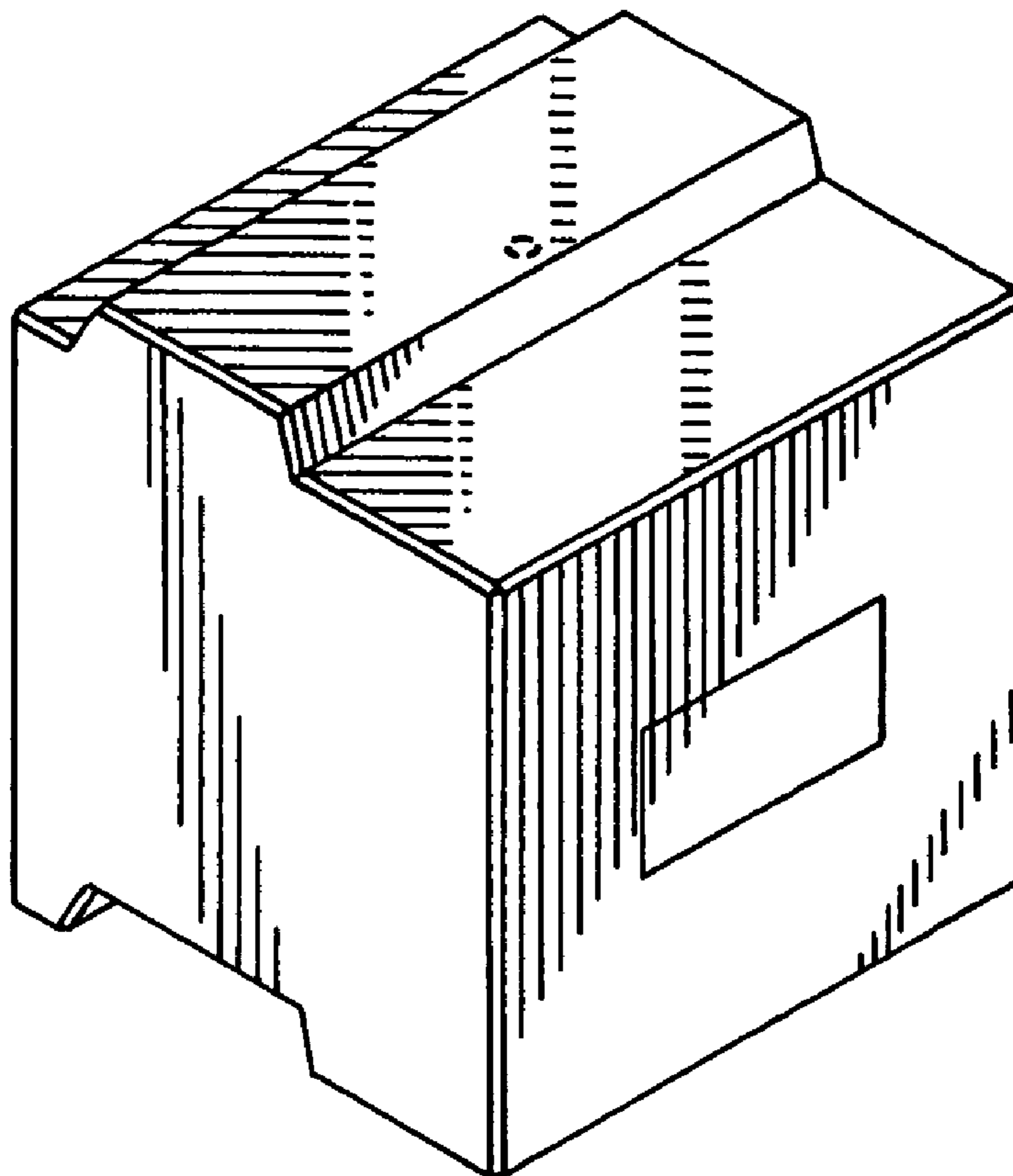
FIG. 4 is a right side view thereof, the left side being a mirror image thereof;

FIG. 5 is a top view thereof;

FIG. 6 is a back view thereof; and,

FIG. 7 is a bottom view thereof.

1 Claim, 2 Drawing Sheets



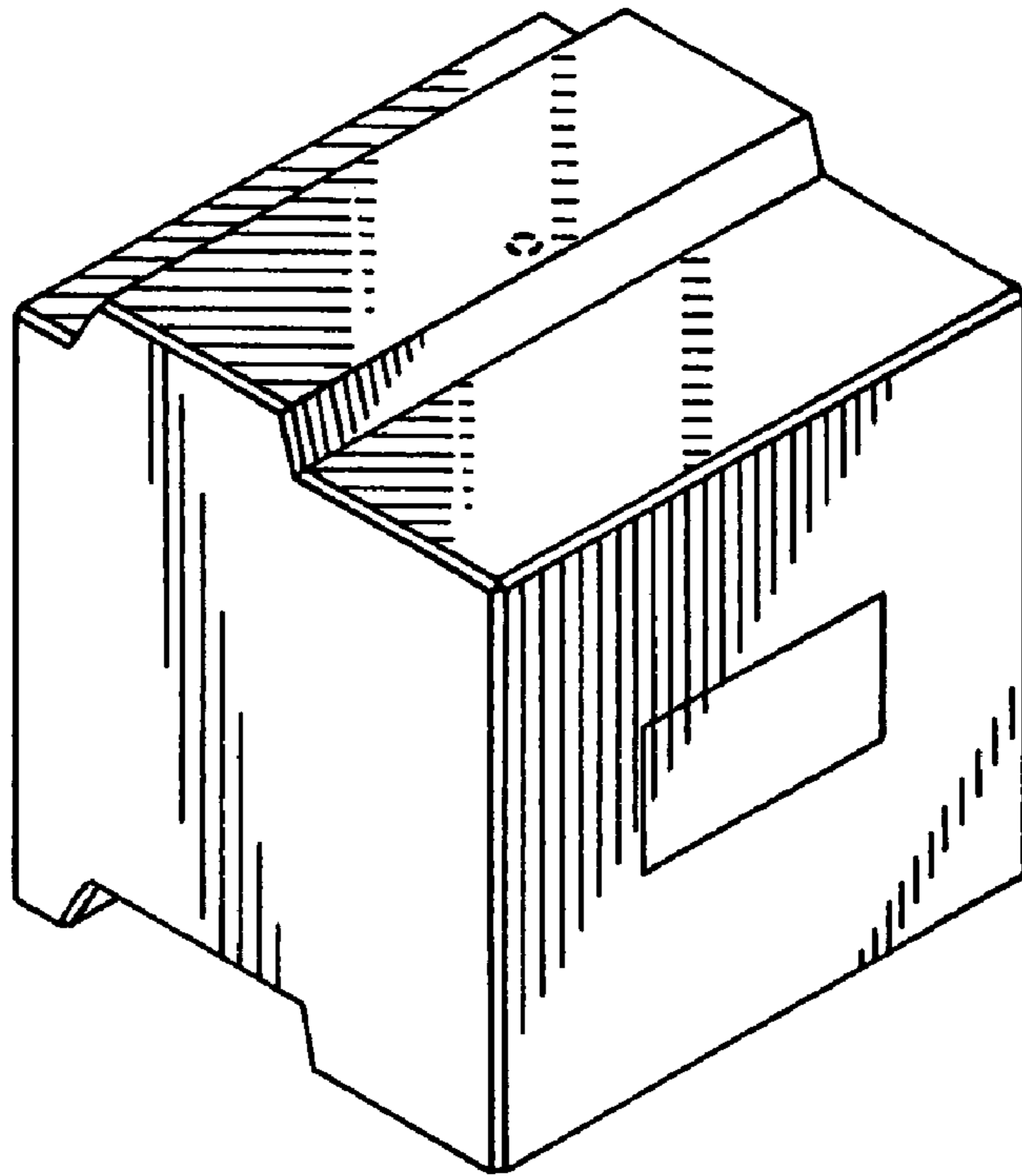


FIG. 1

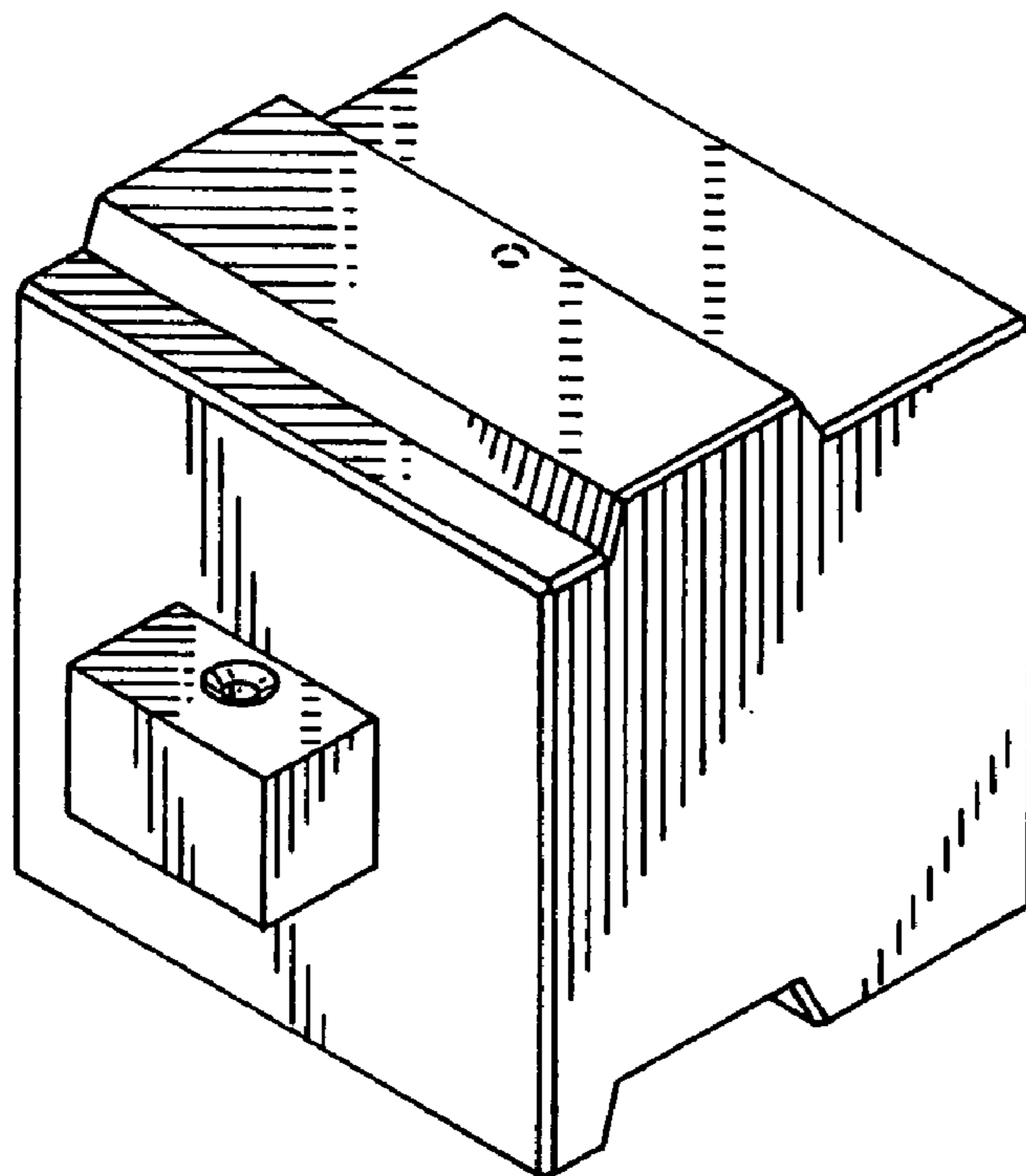


FIG. 2

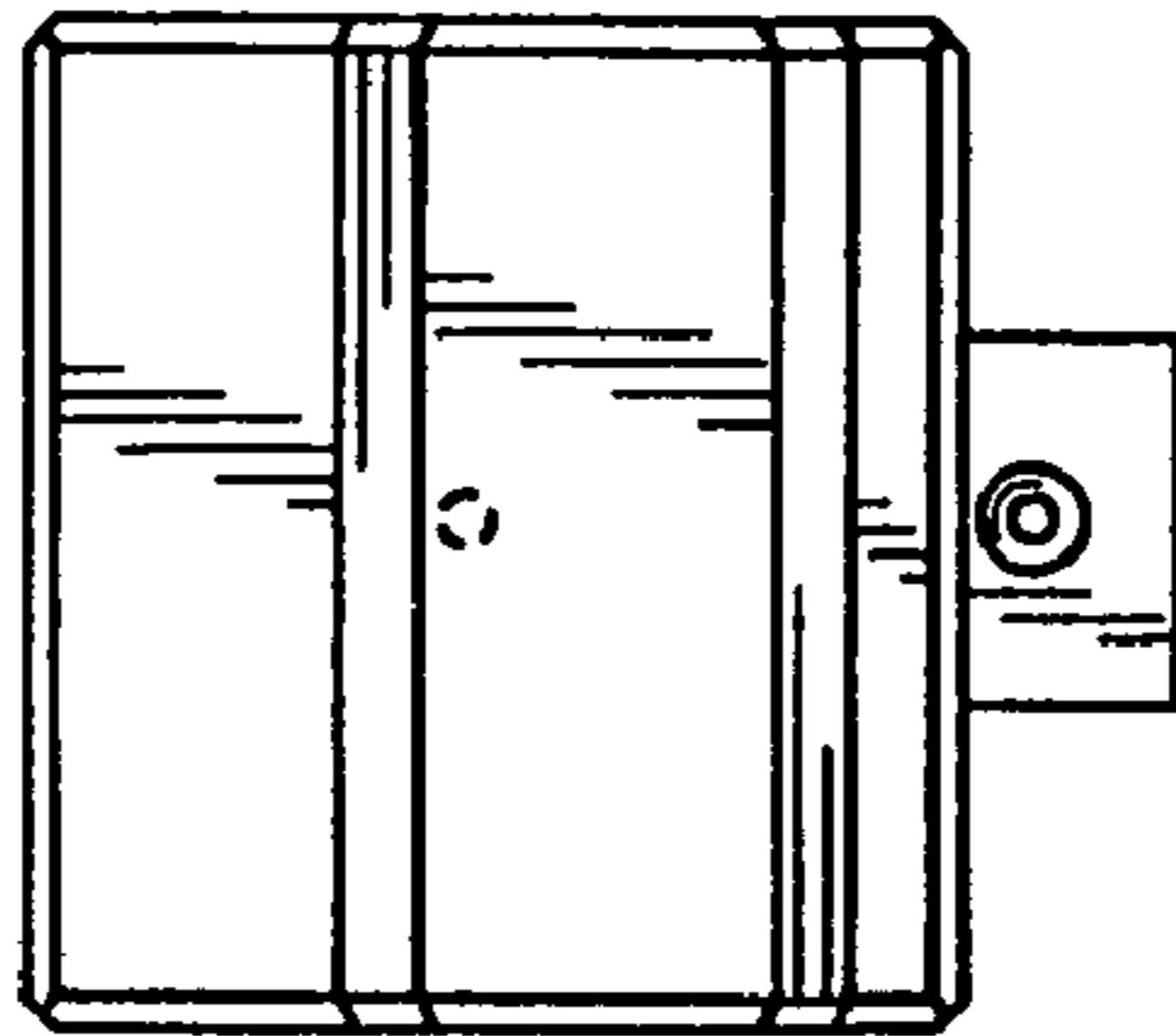


FIG. 5

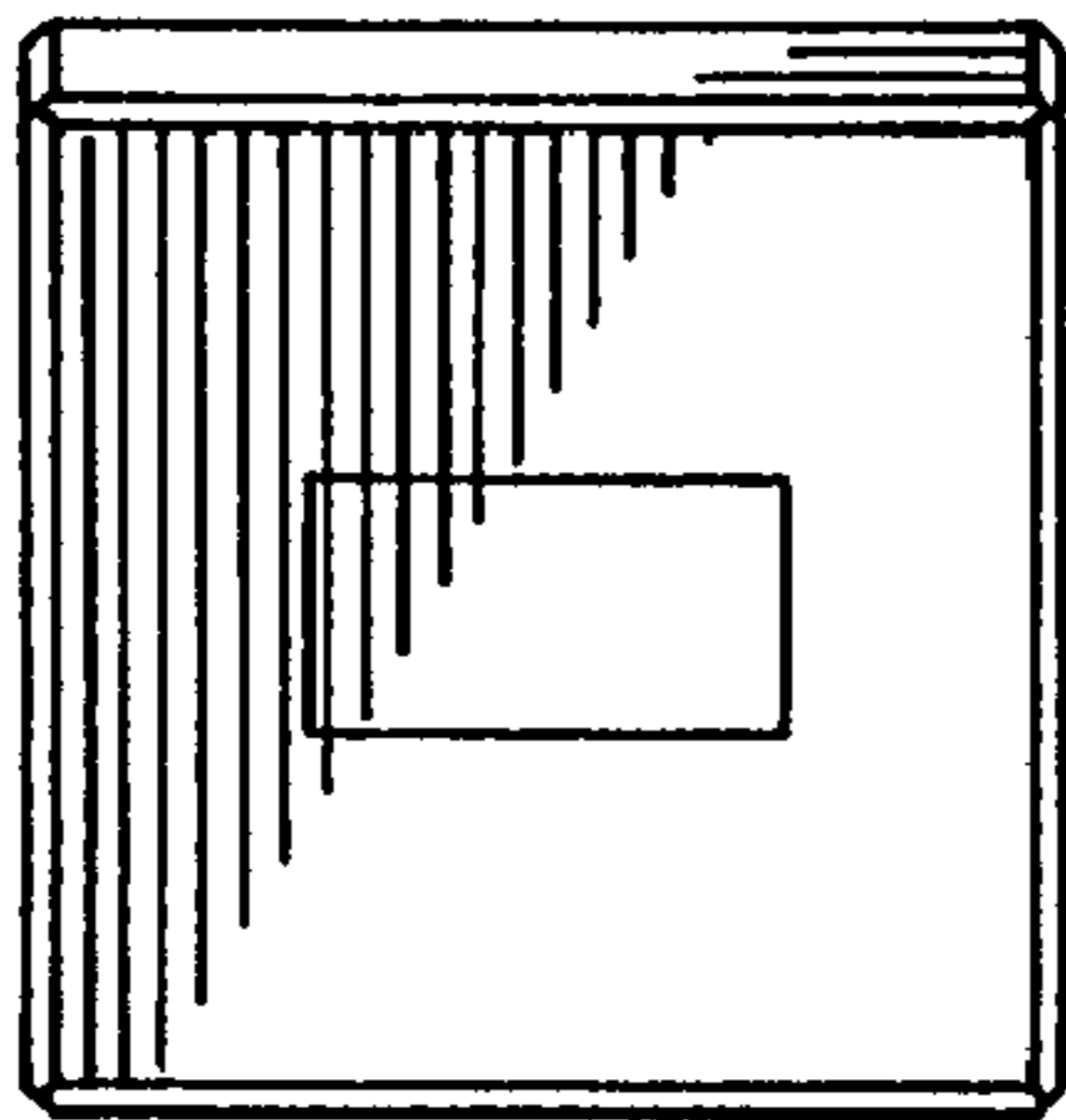


FIG. 3

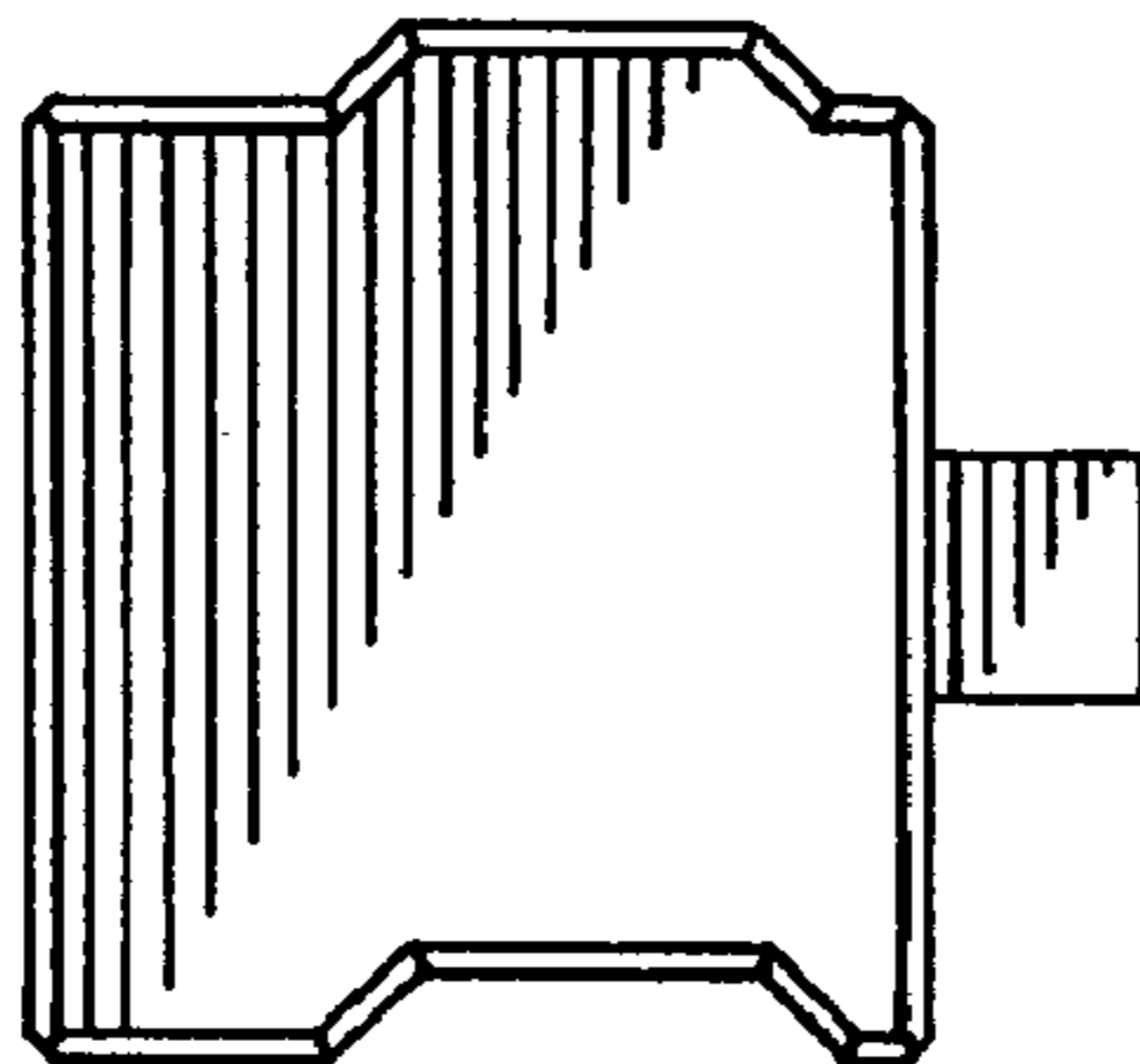


FIG. 4

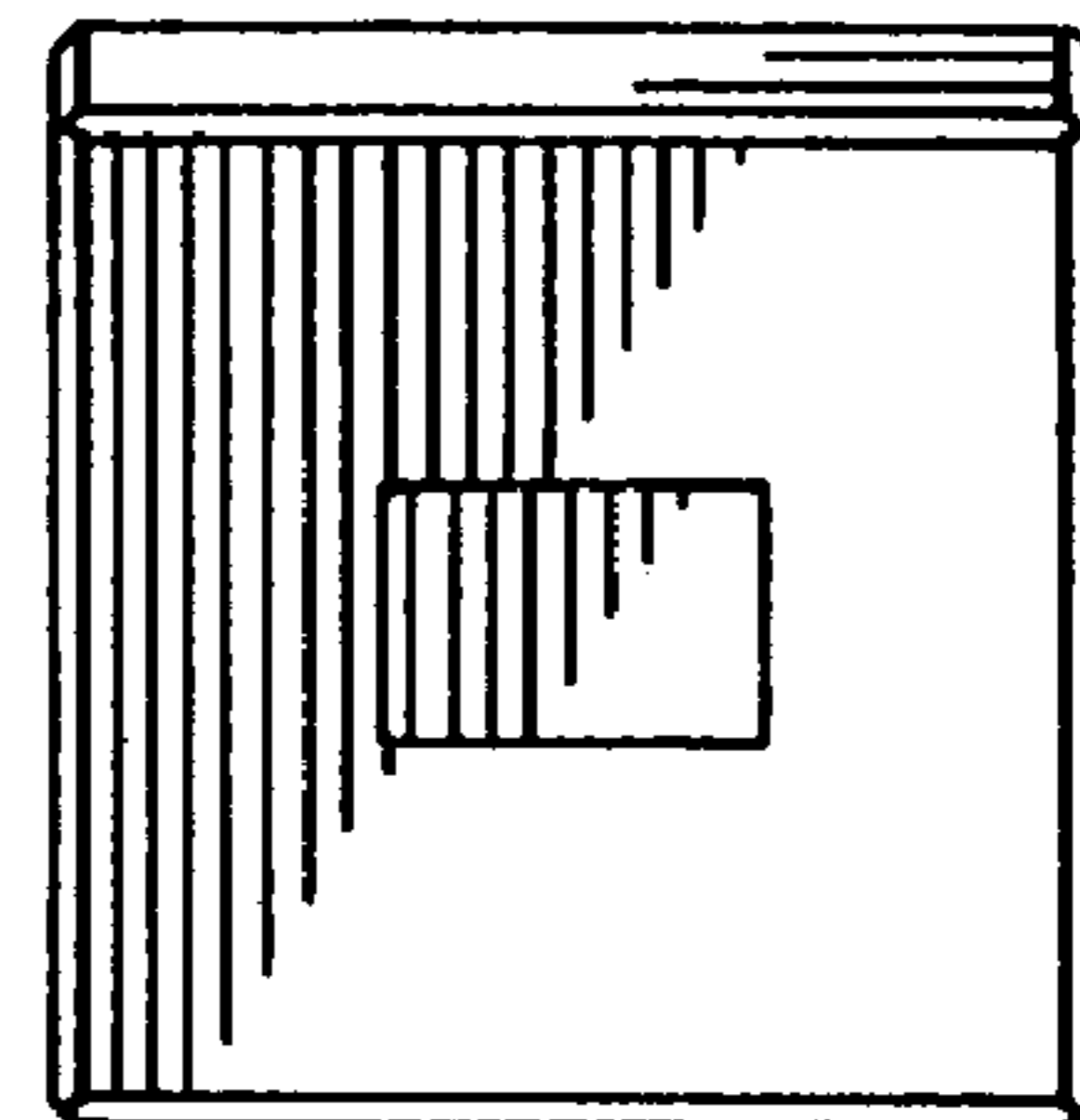


FIG. 6

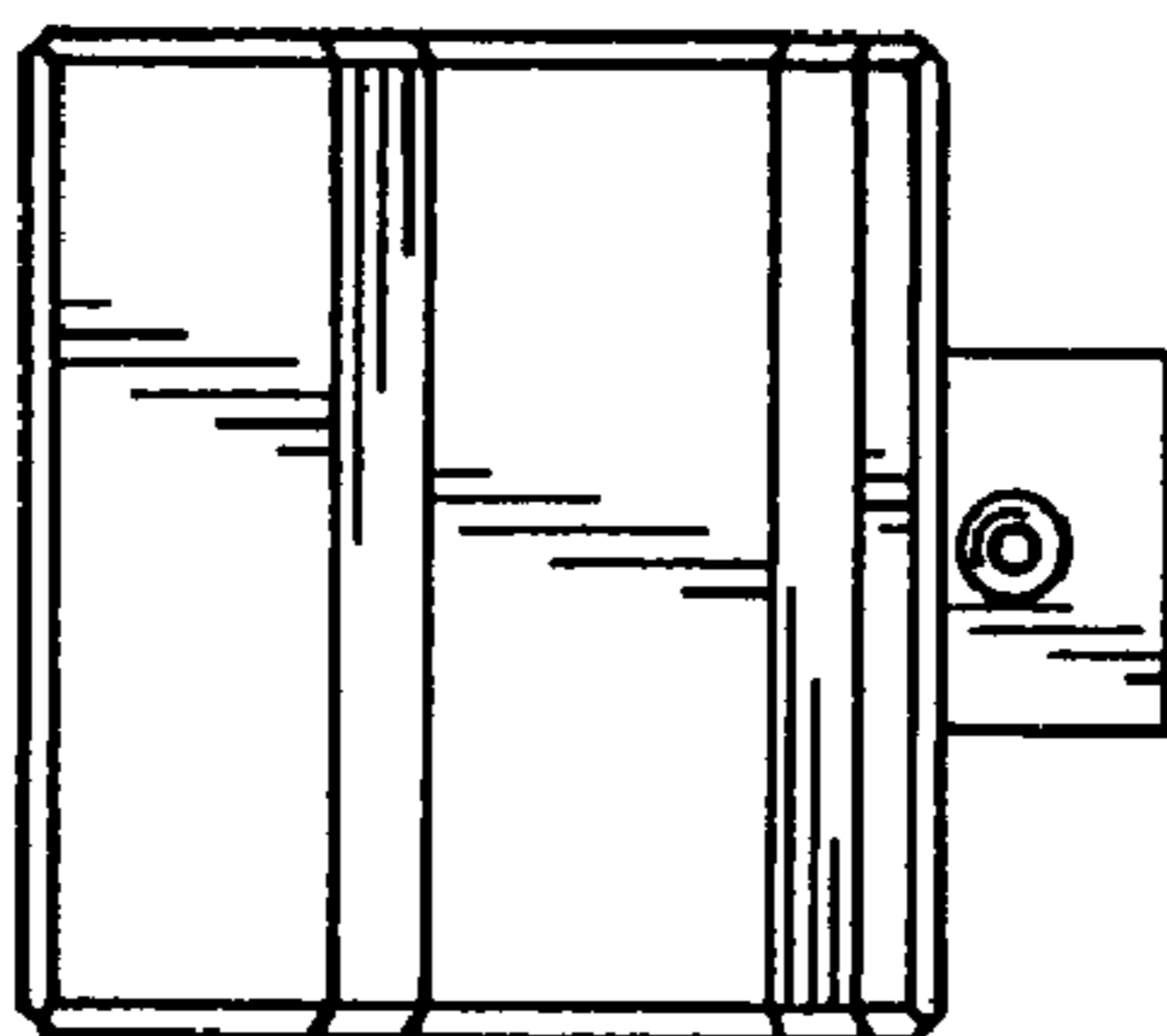


FIG. 7