



US00D567826S

(12) **United States Design Patent** (10) **Patent No.:** **US D567,826 S**  
**Clendenning et al.** (45) **Date of Patent:** **\*\* Apr. 29, 2008**

(54) **LOWER CORNER LIP SHROUD**  
(75) Inventors: **Charles Clendenning**, Broken Arrow, OK (US); **Russell N. Drake**, Claremore, OK (US)  
(73) Assignee: **H&L Tooth Company**, Tulsa, OK (US)  
(\*\*) Term: **14 Years**  
(21) Appl. No.: **29/289,500**  
(22) Filed: **Jul. 23, 2007**

D312,466 S \* 11/1990 Edmisson ..... D15/29  
D313,419 S \* 1/1991 Edmisson ..... D15/28  
5,018,283 A \* 5/1991 Fellner ..... 37/452  
5,054,636 A 10/1991 Netzer  
5,078,530 A 1/1992 Kim  
5,172,501 A \* 12/1992 Pippins ..... 37/453  
5,181,297 A 1/1993 Andrews, Jr. et al.  
D334,704 S 4/1993 Andrews, Jr. et al.  
D339,593 S \* 9/1993 Johansson ..... D15/29  
5,285,996 A 2/1994 Waller  
D352,044 S \* 11/1994 Hahn ..... D15/29  
D363,579 S 10/1995 Scaglione et al.  
D365,577 S \* 12/1995 Ruvang ..... D15/29  
5,526,592 A \* 6/1996 Bierwith ..... 37/451

(51) **LOC (8) Cl.** ..... **15-03**  
(52) **U.S. Cl.** ..... **D15/29**  
(58) **Field of Classification Search** ..... D15/11, D15/21, 28, 29, 32; 172/701.2, 701.3, 713, 172/719, 772, 699, 772.5, 770, 771; 37/444, 37/446, 449, 452-456, 448, 903  
See application file for complete search history.

(Continued)

*Primary Examiner*—Mitchell Siegel  
*Assistant Examiner*—Mark Goodwin  
(74) *Attorney, Agent, or Firm*—John W. Harbst

(57) **CLAIM**

The ornamental design for a lower corner lip shroud, as shown and described.

(56) **References Cited**

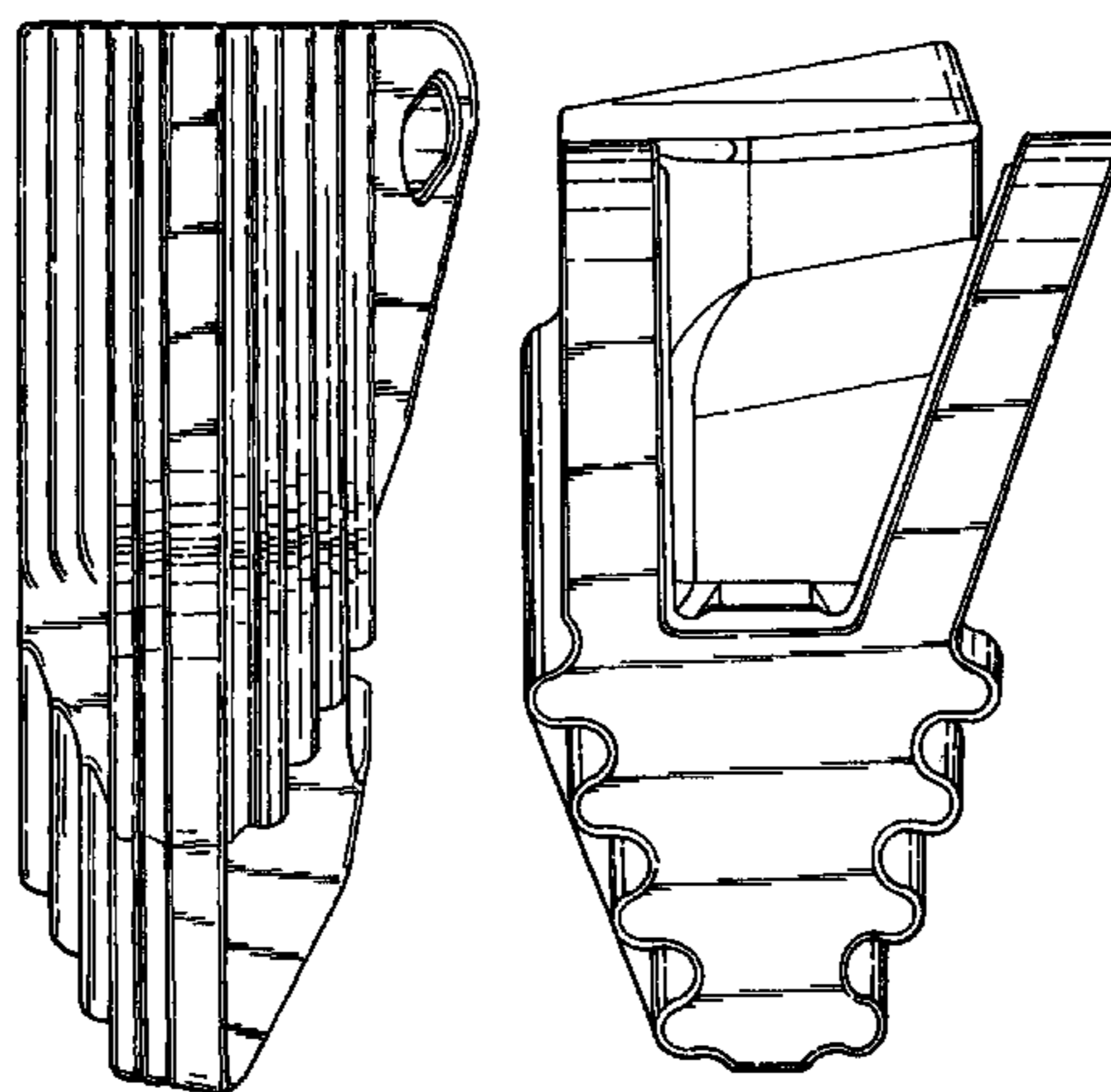
U.S. PATENT DOCUMENTS

1,395,048 A \* 10/1921 McKee ..... 37/452  
2,841,896 A \* 7/1958 Meshorer ..... 37/455  
2,965,989 A \* 12/1960 Hibbard ..... 172/701.2  
3,033,412 A 5/1962 Fox  
3,146,505 A 9/1964 Hansen  
3,286,379 A \* 11/1966 Benetti ..... 37/452  
3,289,331 A \* 12/1966 Freeman ..... 172/701.2  
3,323,235 A \* 6/1967 Petersen ..... 37/457  
3,638,736 A \* 2/1972 Hahn ..... 172/701.2  
3,967,398 A \* 7/1976 Stepe ..... 37/448  
D242,162 S \* 11/1976 Dahlberg ..... D15/32  
D242,274 S \* 11/1976 Dahlberg et al. .... D15/28  
4,047,312 A \* 9/1977 Stepe ..... 37/448  
4,123,861 A \* 11/1978 Hemphill ..... 37/195  
D255,119 S \* 5/1980 Korpi ..... D15/29  
4,231,173 A \* 11/1980 Davis ..... 37/457  
D275,859 S \* 10/1984 Nilsson ..... D15/28  
4,501,079 A \* 2/1985 Hahn et al. .... 37/450  
D284,010 S \* 5/1986 Voyce ..... D15/29  
4,776,113 A \* 10/1988 Bedford et al. .... 37/448  
D299,351 S \* 1/1989 Edmisson ..... D15/29

**DESCRIPTION**

FIG. 1 is a front elevational view of one embodiment of a lower corner lip shroud showing our new design;  
FIG. 2 is a left side elevational thereof;  
FIG. 3 is a right side elevational view thereof;  
FIG. 4 is a top plan view thereof;  
FIG. 5 is bottom plan view thereof;  
FIG. 6 is a rear elevational view thereof;  
FIG. 7 is a front elevational view of a second embodiment of a lower corner lip shroud showing our new design;  
FIG. 8 is a right side elevational view thereof;  
FIG. 9 is a left side elevational view thereof;  
FIG. 10 is a top plan view thereof;  
FIG. 11 is a bottom plan view thereof; and,  
FIG. 12 is a rear elevational view thereof.

**1 Claim, 8 Drawing Sheets**



# US D567,826 S

Page 2

---

## U.S. PATENT DOCUMENTS

D378,006 S	2/1997	Clendenning		D458,614 S *	6/2002	Esterhuyse et al. ....	D15/29
D381,484 S	7/1997	Clendenning		D461,832 S *	8/2002	Ketting et al. ....	D15/29
5,782,019 A *	7/1998	Lauder et al. ....	37/446	D463,460 S *	9/2002	Siebeck et al. ....	D15/29
D399,852 S *	10/1998	Lauder et al. ....	D15/11	D486,836 S *	2/2004	Lauder et al. ....	D15/29
D410,657 S *	6/1999	Lauder et al. ....	D15/29	6,766,602 B2 *	7/2004	Cox et al. ....	37/448
D413,338 S *	8/1999	Pueyo Molina ....	D15/29	D499,749 S *	12/2004	Lauder et al. ....	D15/29
D446,223 S *	8/2001	Edwards ....	D15/29	D512,078 S *	11/2005	Poutre ....	D15/29

\* cited by examiner

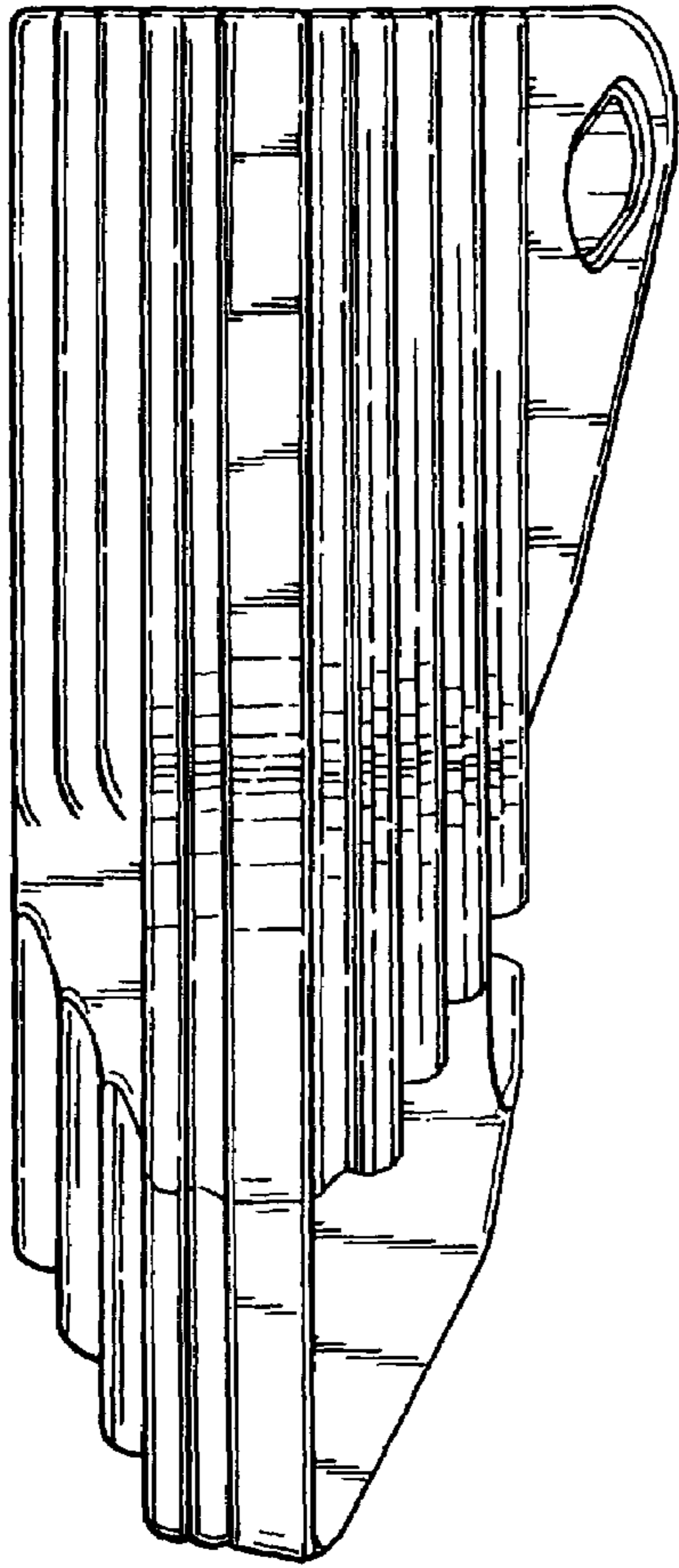


FIG. 1

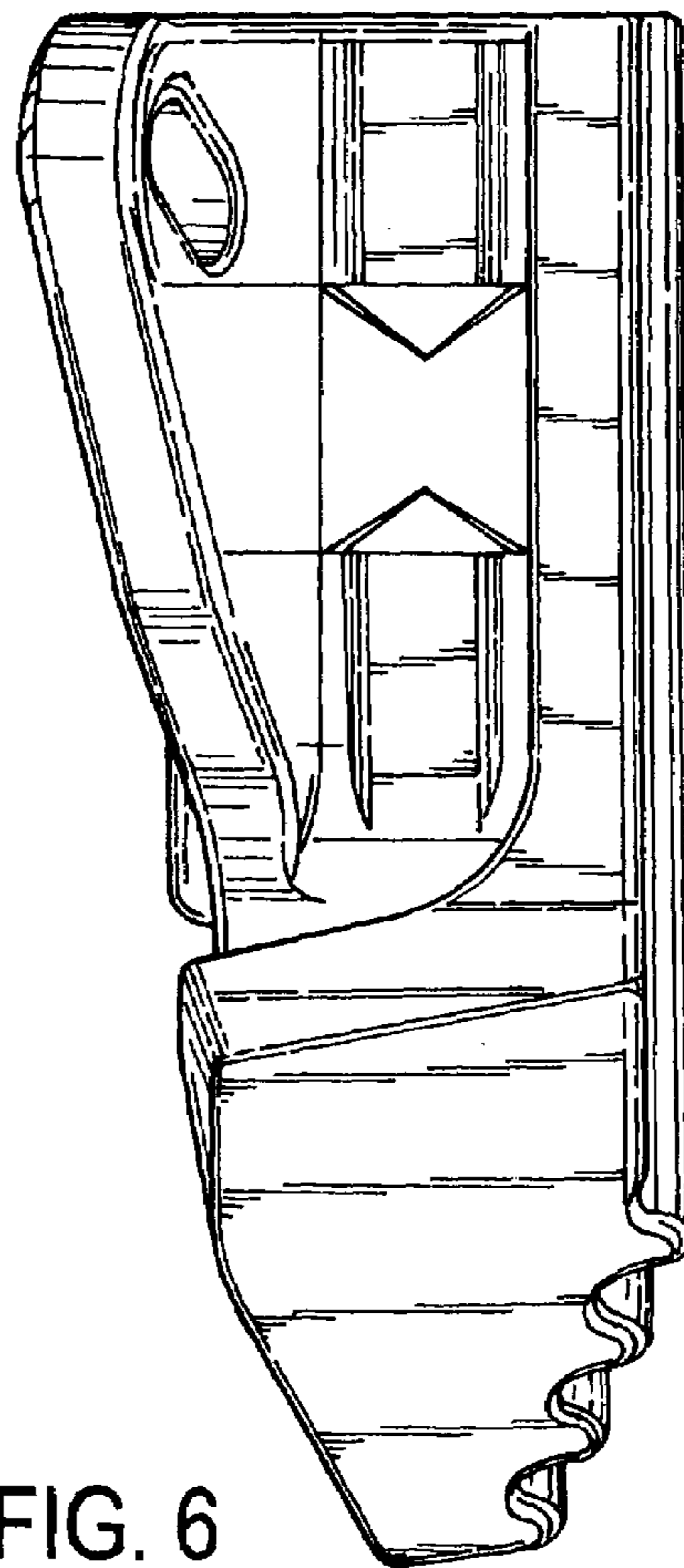


FIG. 6

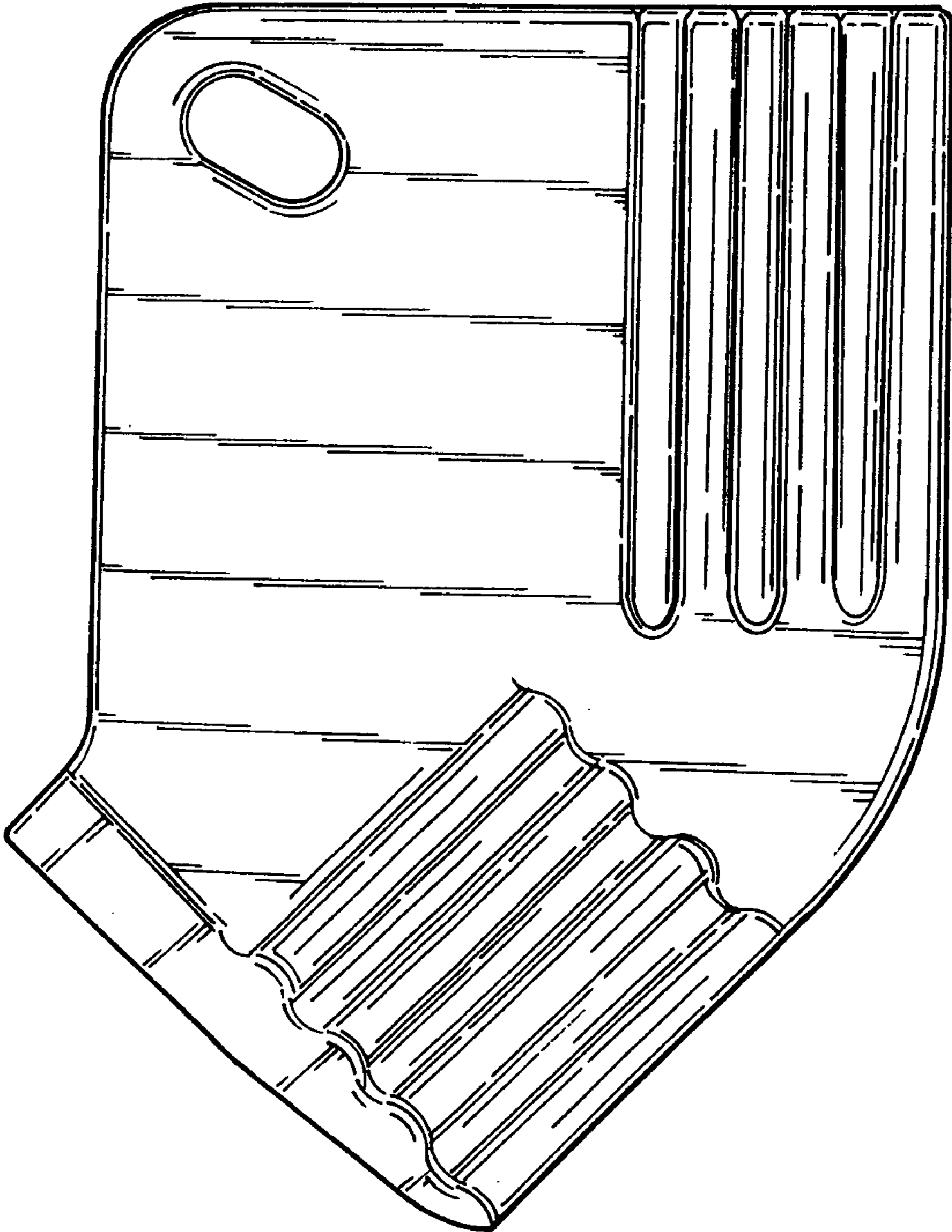


FIG. 2

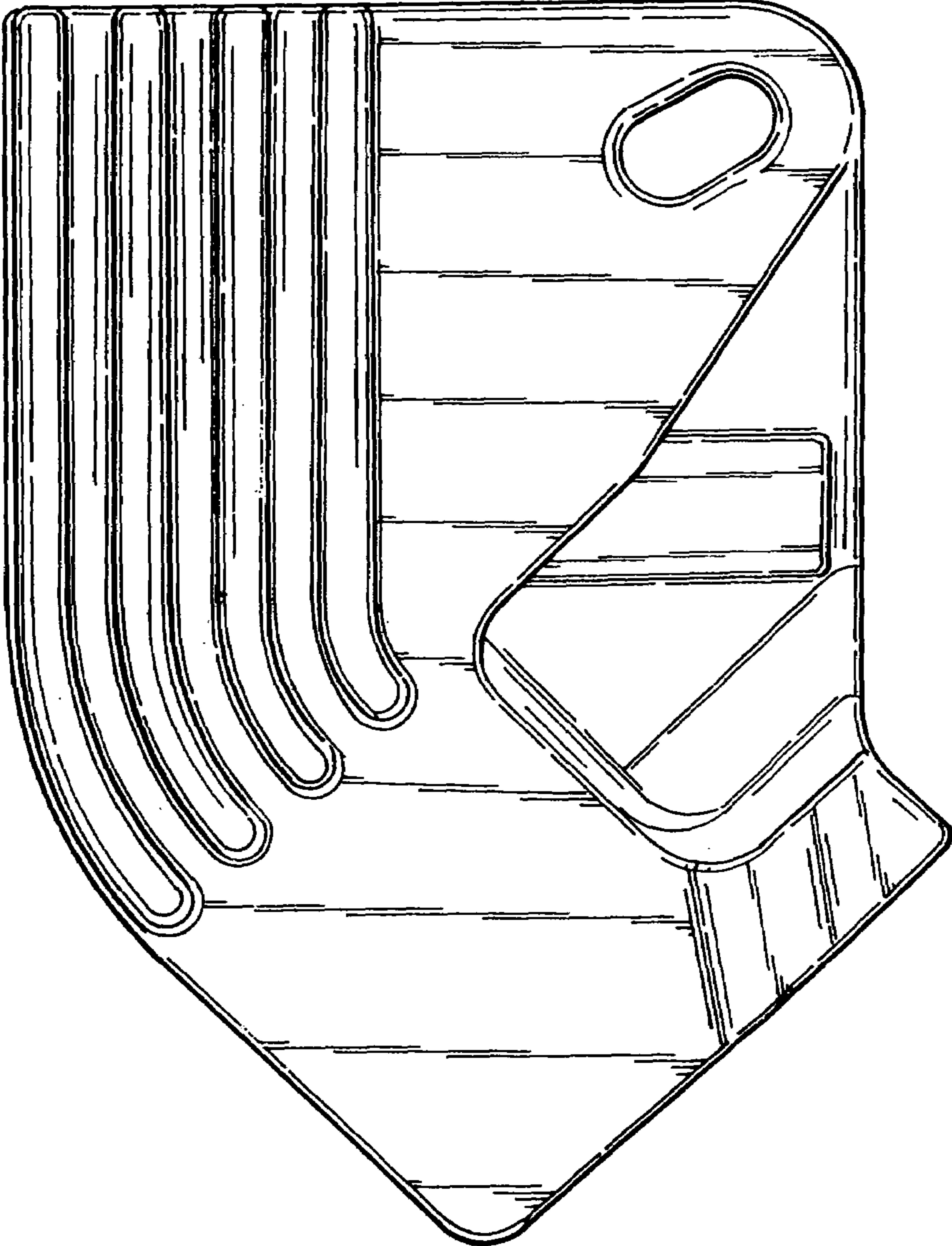


FIG. 3

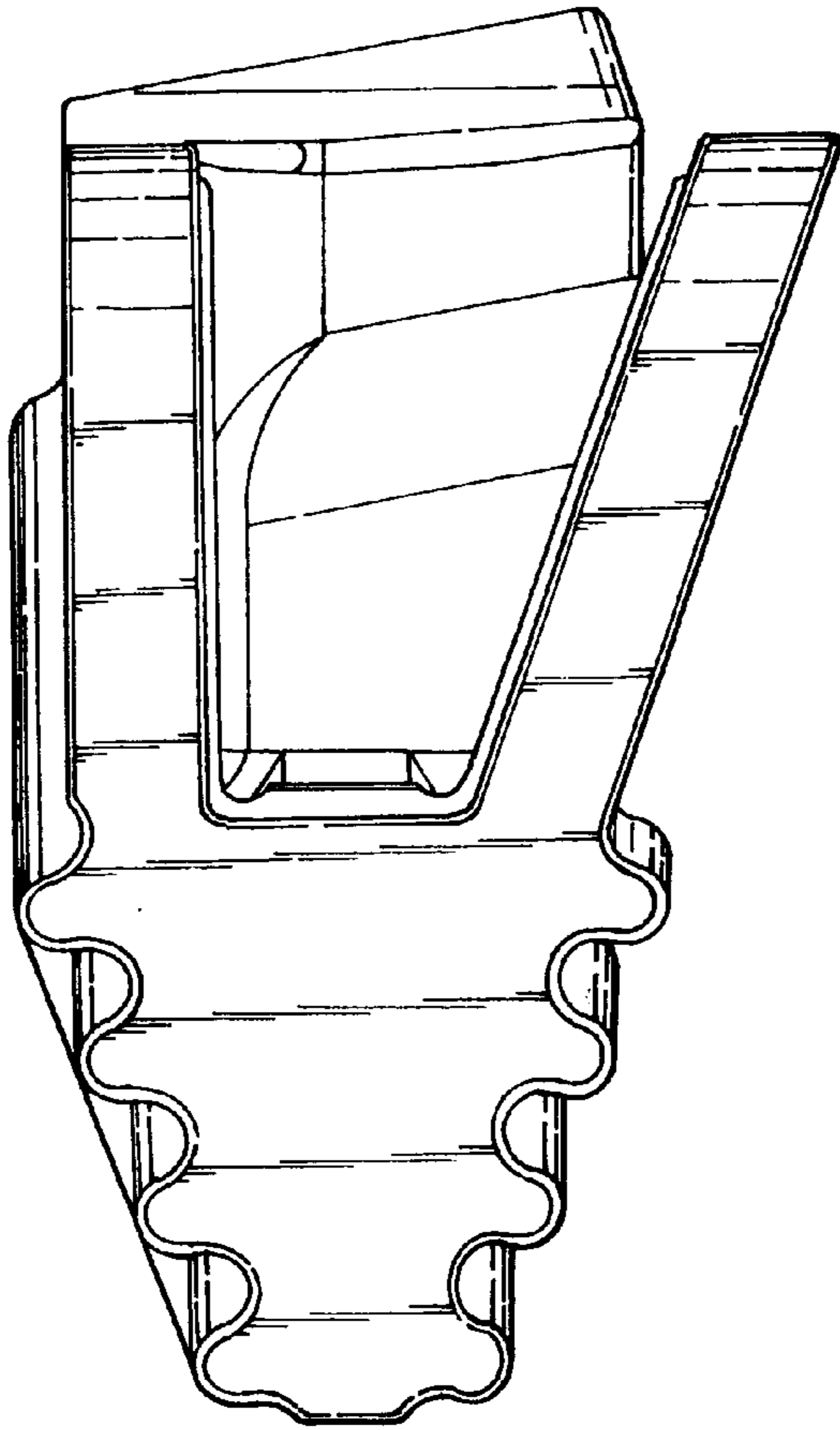


FIG. 4

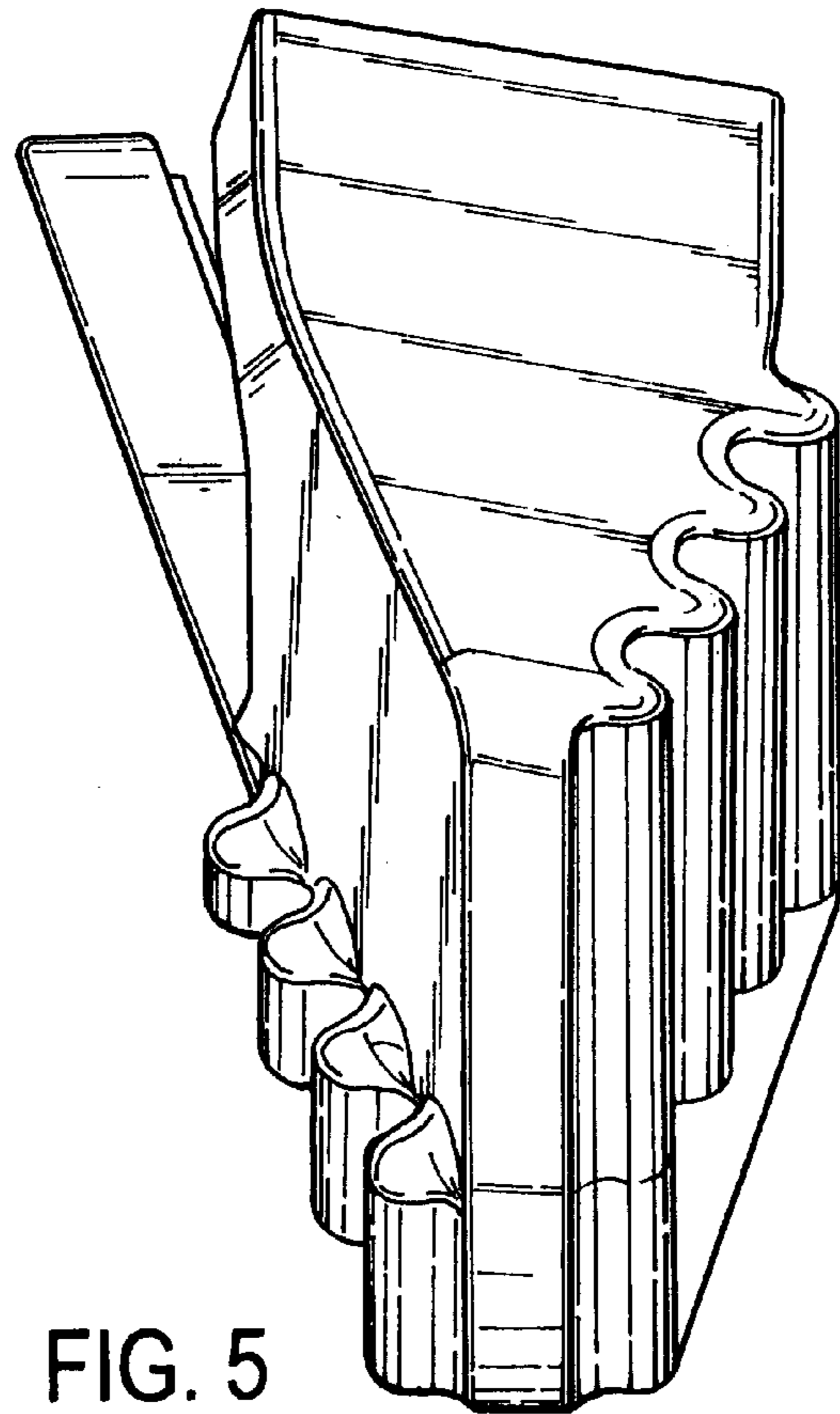


FIG. 5

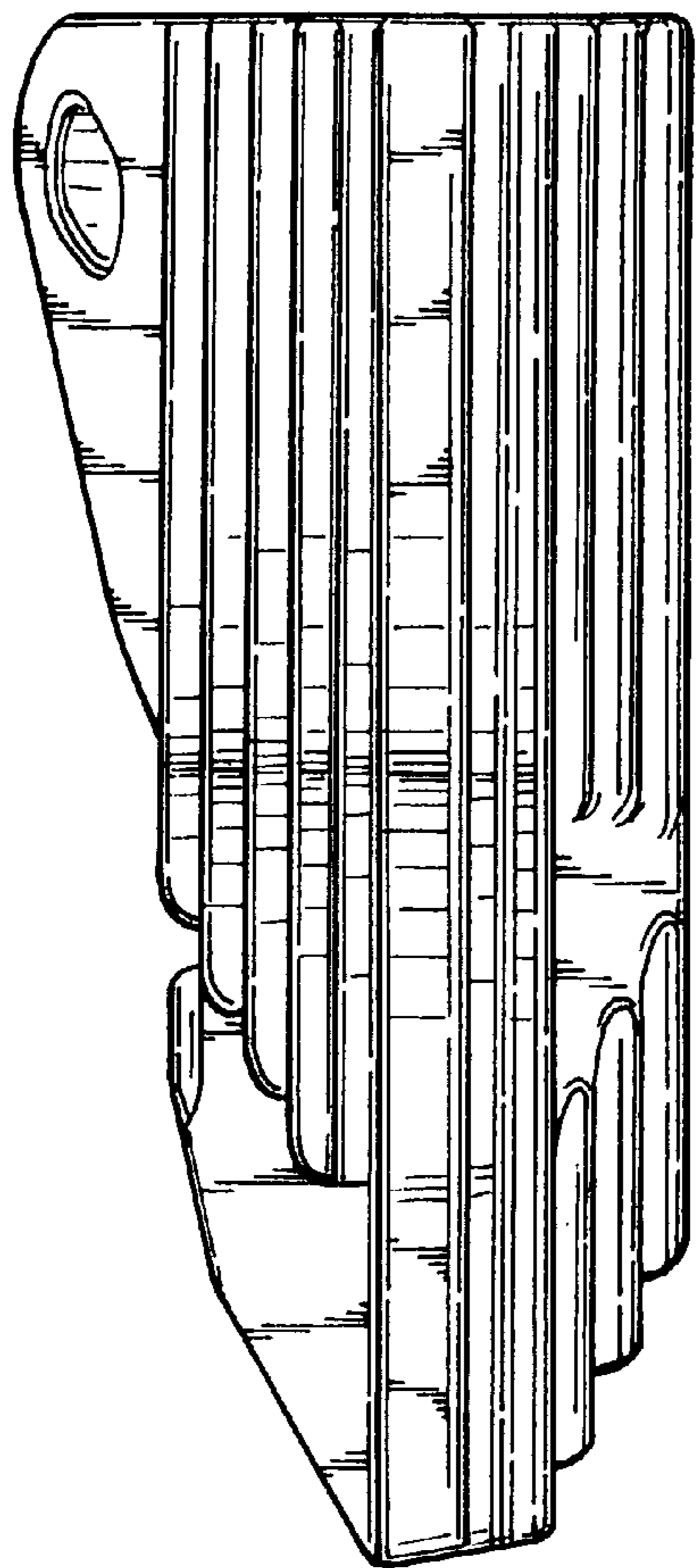


FIG. 7

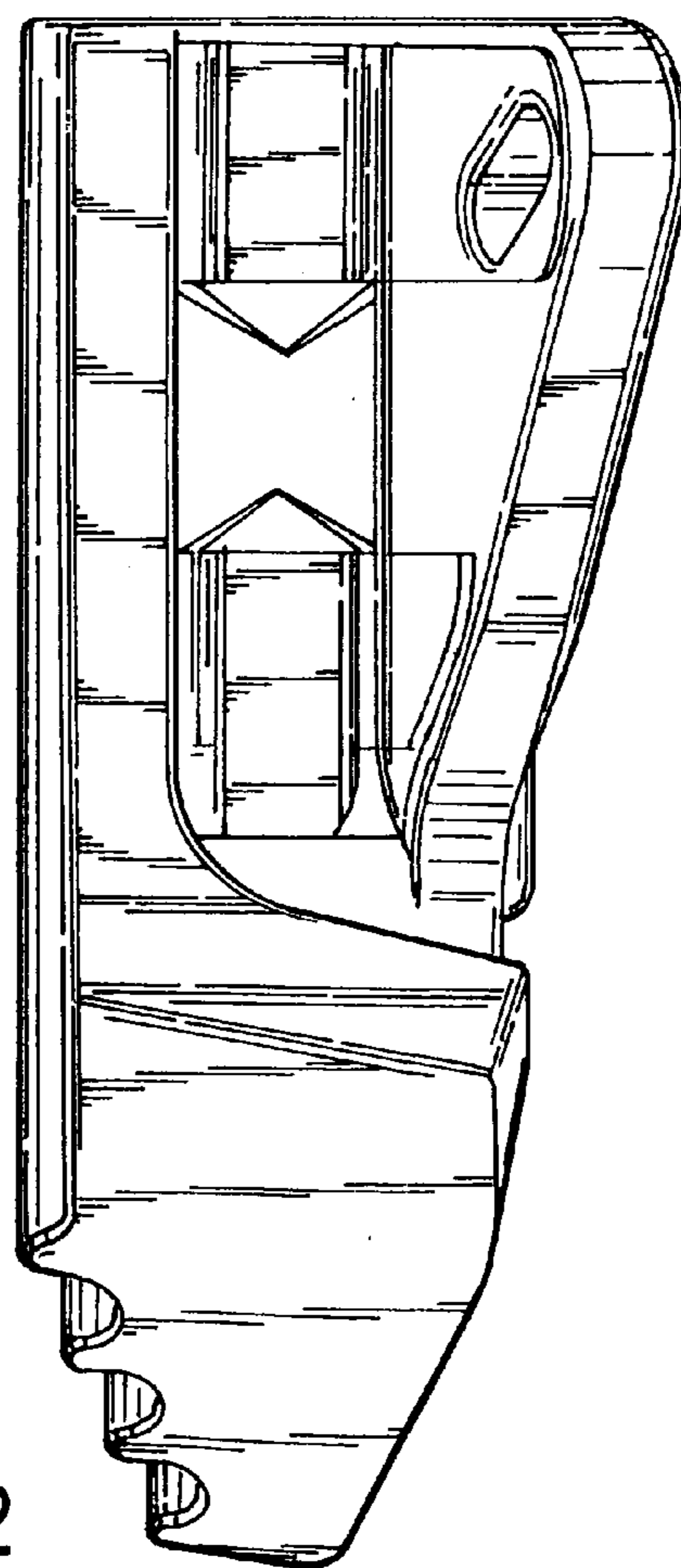


FIG. 12

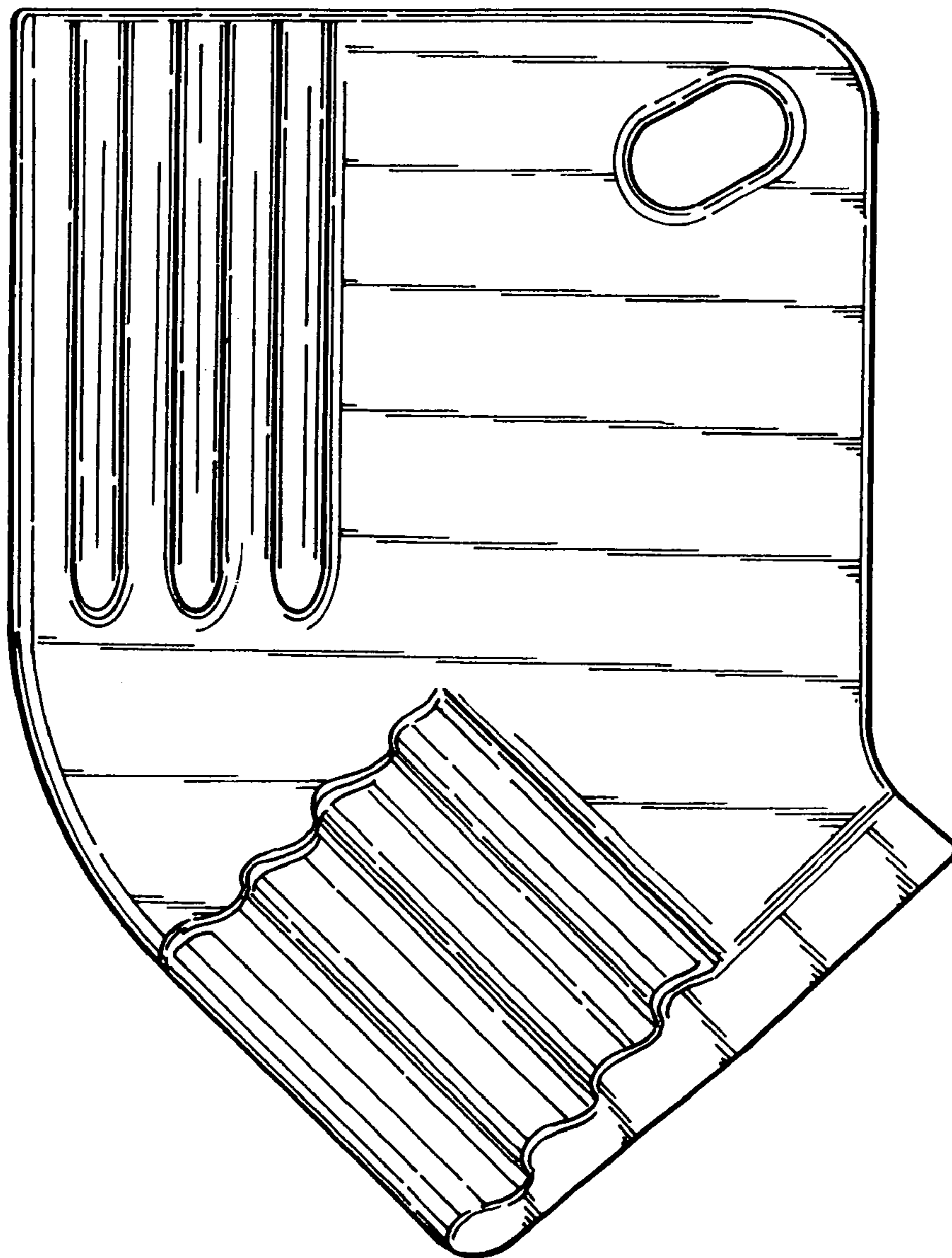


FIG. 8



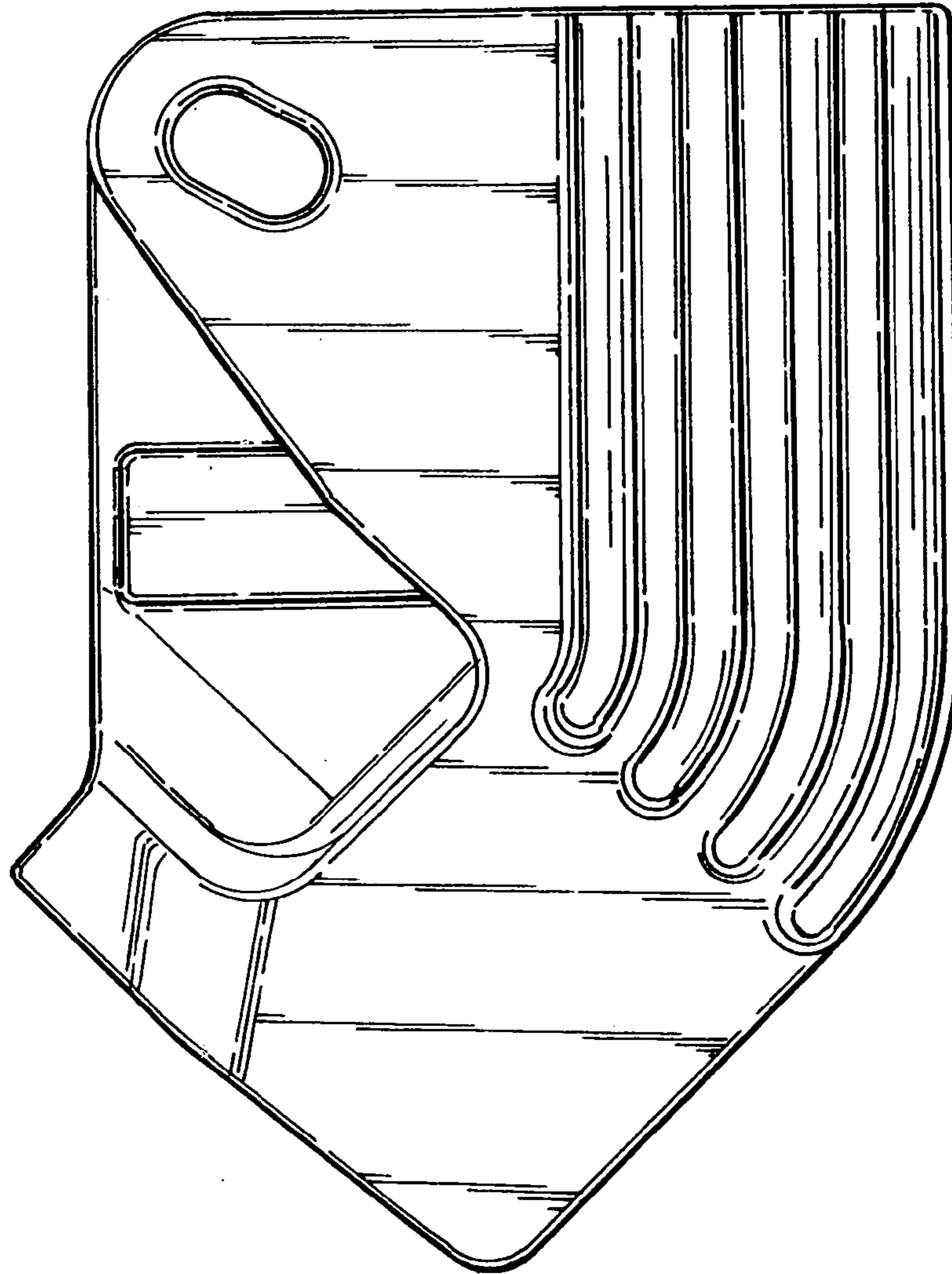


FIG. 9

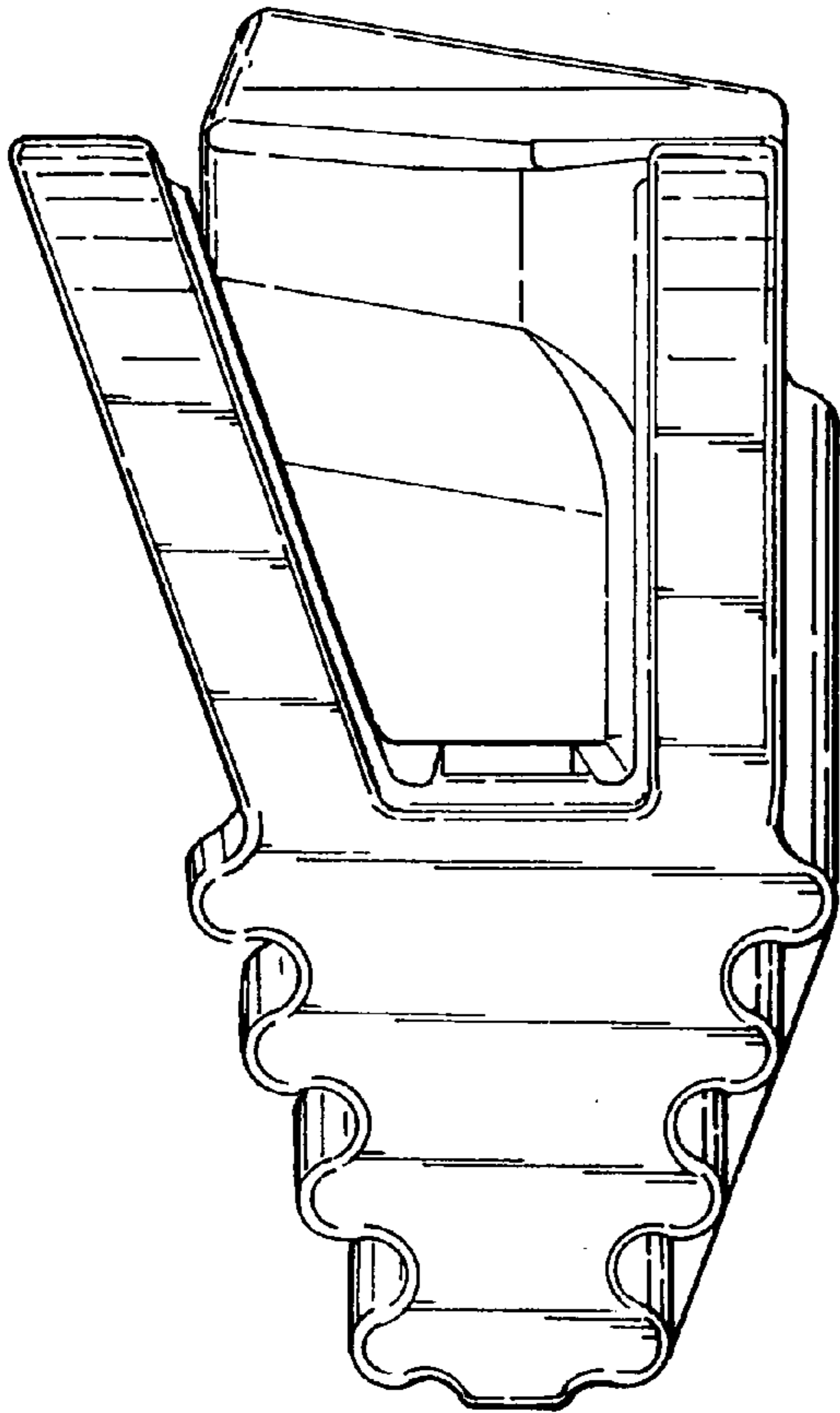


FIG. 10

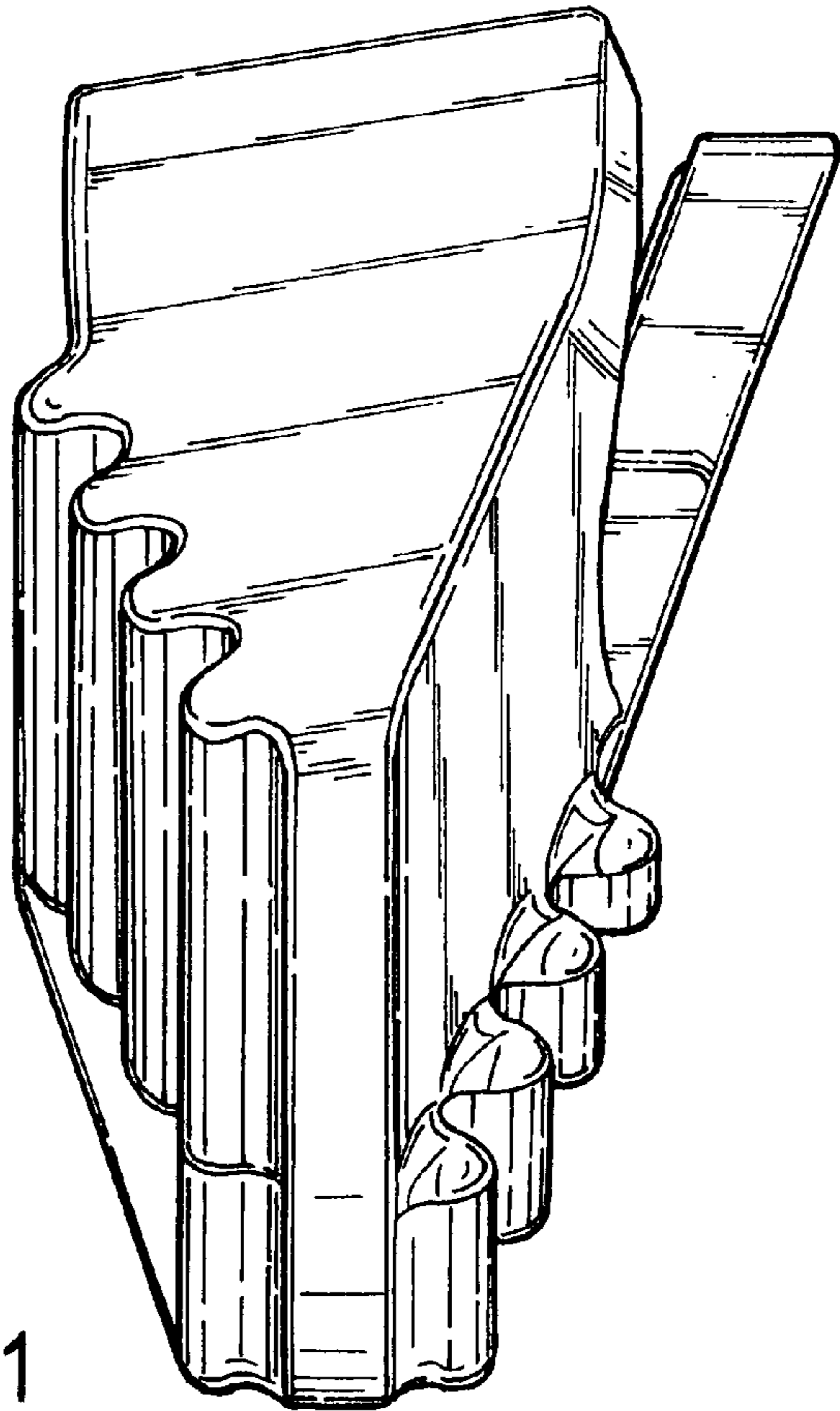


FIG. 11