

US00D567825S

(12) **United States Design Patent**
Clendenning et al.

(10) **Patent No.:** **US D567,825 S**

(45) **Date of Patent:** **** Apr. 29, 2008**

(54) **UPPER CORNER LIP SHROUD**

(75) Inventors: **Charles Clendenning**, Broken Arrow,
OK (US); **Russell N. Drake**,
Claremore, OK (US)

(73) Assignee: **H&L Tooth Company**, Tulsa, OK (US)

(**) Term: **14 Years**

(21) Appl. No.: **29/289,486**

(22) Filed: **Jul. 23, 2007**

(51) **LOC (8) Cl.** **15-03**

(52) **U.S. Cl.** **D15/29**

(58) **Field of Classification Search** D15/11,
D15/21, 28, 29, 32; 172/701.2, 701.3, 713,
172/719, 772, 699, 772.5, 770, 771; 37/444,
37/446, 449, 452-456, 448, 903

See application file for complete search history.

(56) **References Cited**

U.S. PATENT DOCUMENTS

1,395,048	A *	10/1921	McKee	37/452
2,841,896	A *	7/1958	Meshorer	37/455
2,965,989	A *	12/1960	Hibbard	172/701.2
3,033,412	A	5/1962	Fox		
3,146,505	A	9/1964	Hansen		
3,286,379	A *	11/1966	Benetti	37/452
3,289,331	A *	12/1966	Freeman	172/701.2
3,323,235	A *	6/1967	Petersen	37/457
3,638,736	A *	2/1972	Hahn	172/701.2
3,967,398	A *	7/1976	Stepe	37/448
D242,162	S *	11/1976	Dahlberg	D15/32
D242,274	S *	11/1976	Dahlberg et al.	D15/28
4,047,312	A *	9/1977	Stepe	37/448
4,123,861	A *	11/1978	Hemphill	37/195
D255,119	S *	5/1980	Korpi	D15/29
4,231,173	A *	11/1980	Davis	37/457
D275,859	S *	10/1984	Nilsson	D15/28
4,501,079	A *	2/1985	Hahn et al.	37/450
D284,010	S *	5/1986	Voyce	D15/29
4,776,113	A *	10/1988	Bedford et al.	37/448
D299,351	S *	1/1989	Edmisson	D15/29

D312,466	S *	11/1990	Edmisson	D15/29
D313,419	S *	1/1991	Edmisson	D15/28
5,018,283	A *	5/1991	Fellner	37/452
5,054,636	A	10/1991	Netzer		
5,078,530	A	1/1992	Kim		
5,172,501	A *	12/1992	Pippins	37/453
5,181,297	A	1/1993	Andrews, Jr. et al.		
D334,704	S	4/1993	Andrews, Jr. et al.		
D339,593	S *	9/1993	Johansson	D15/29
5,285,996	A	2/1994	Waller		
D352,044	S *	11/1994	Hahn	D15/29
D363,579	S	10/1995	Scaglione et al.		
D365,577	S *	12/1995	Ruvang	D15/29

(Continued)

Primary Examiner—Mitchell Siegel

Assistant Examiner—Mark Goodwin

(74) *Attorney, Agent, or Firm*—John W. Harbst

(57) **CLAIM**

The ornamental design for an upper corner lip shroud, as shown and described.

DESCRIPTION

FIG. 1 is a front elevational view of one embodiment of an upper corner lip shroud showing our new design;

FIG. 2 is a left side elevational thereof;

FIG. 3 is a right side elevational view thereof;

FIG. 4 is a top plan view thereof;

FIG. 5 is bottom plan view thereof;

FIG. 6 is a rear elevational view thereof;

FIG. 7 is a front elevational view of a second embodiment of an upper corner lip shroud showing our new design;

FIG. 8 is a right side elevational view thereof;

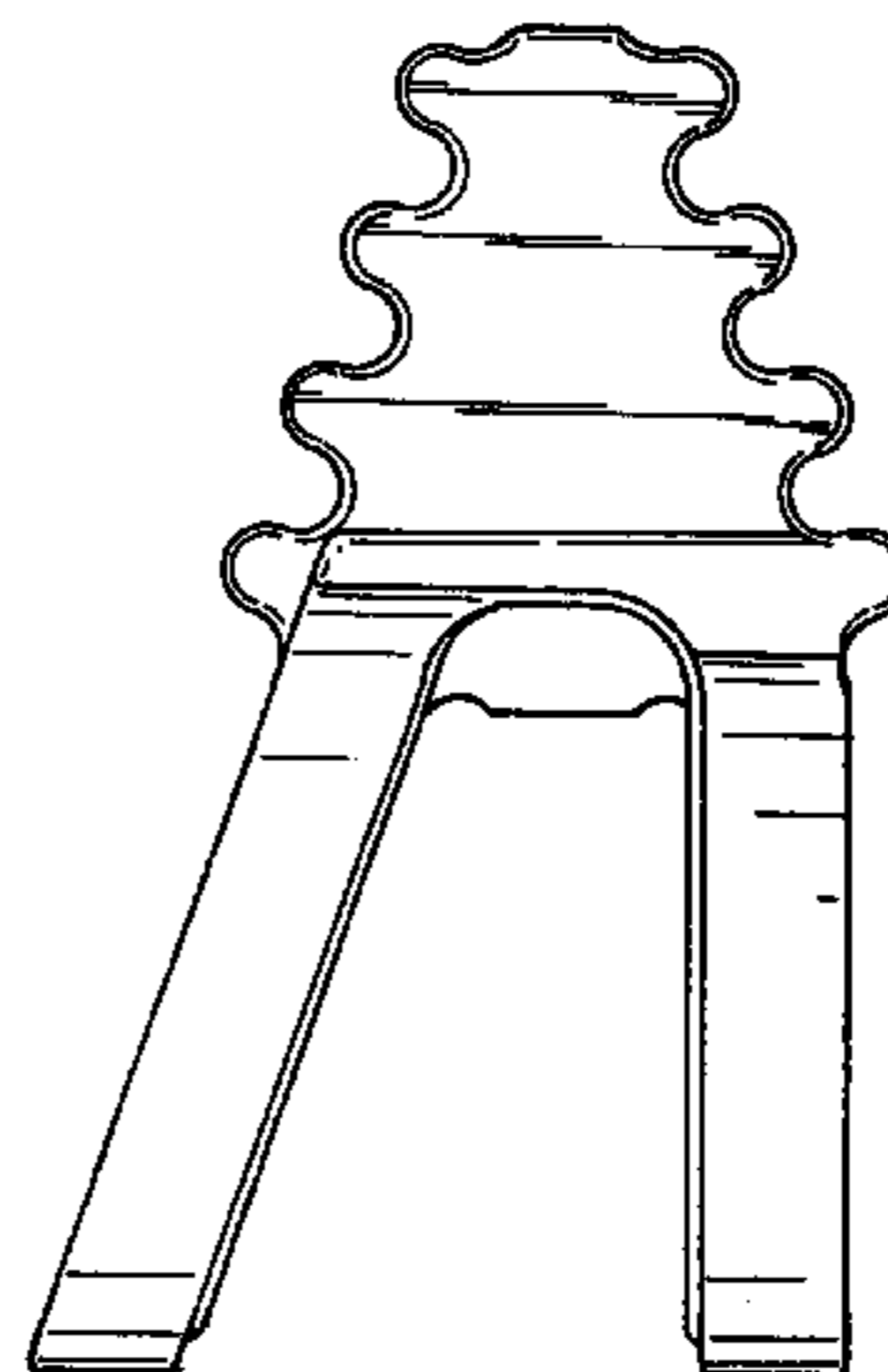
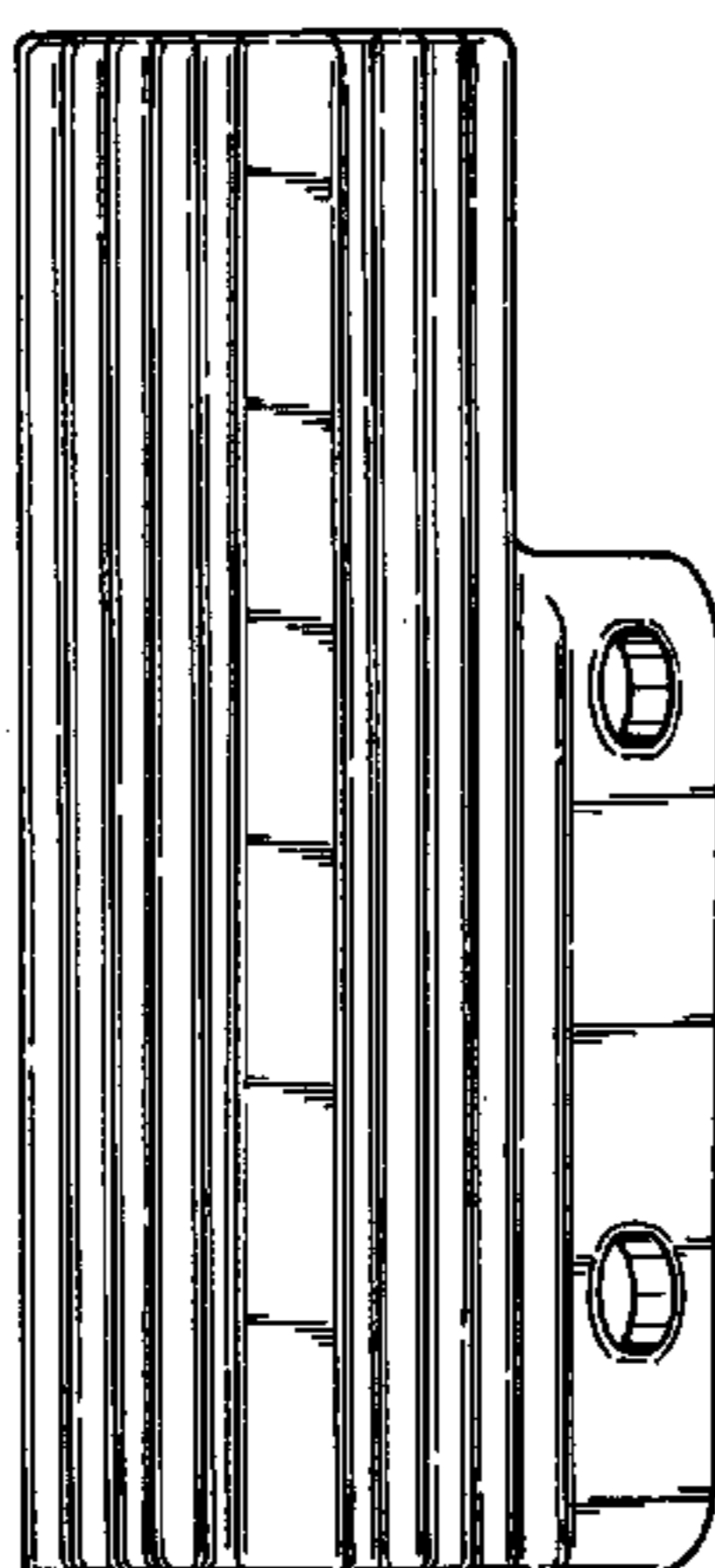
FIG. 9 is a left side elevational view thereof;

FIG. 10 is a top plan view thereof;

FIG. 11 is a bottom plan view thereof; and,

FIG. 12 is a rear elevational view thereof.

1 Claim, 8 Drawing Sheets



US D567,825 S

Page 2

U.S. PATENT DOCUMENTS

5,526,592	A *	6/1996	Bierwith	37/451	D458,614	S *	6/2002	Esterhuyse et al.	D15/29
D378,006	S	2/1997	Clendenning		D461,832	S *	8/2002	Ketting et al.	D15/29
D381,484	S	7/1997	Clendenning		D463,460	S *	9/2002	Siebeck et al.	D15/29
5,782,019	A *	7/1998	Lauder et al.	37/446	D486,836	S *	2/2004	Lauder et al.	D15/29
D399,852	S *	10/1998	Lauder et al.	D15/11	6,766,602	B2 *	7/2004	Cox et al.	37/448
D410,657	S *	6/1999	Lauder et al.	D15/29	D499,749	S *	12/2004	Lauder et al.	D15/29
D413,338	S *	8/1999	Pueyo Molina	D15/29	D512,078	S *	11/2005	Poutre	D15/29
D446,223	S *	8/2001	Edwards	D15/29					

* cited by examiner

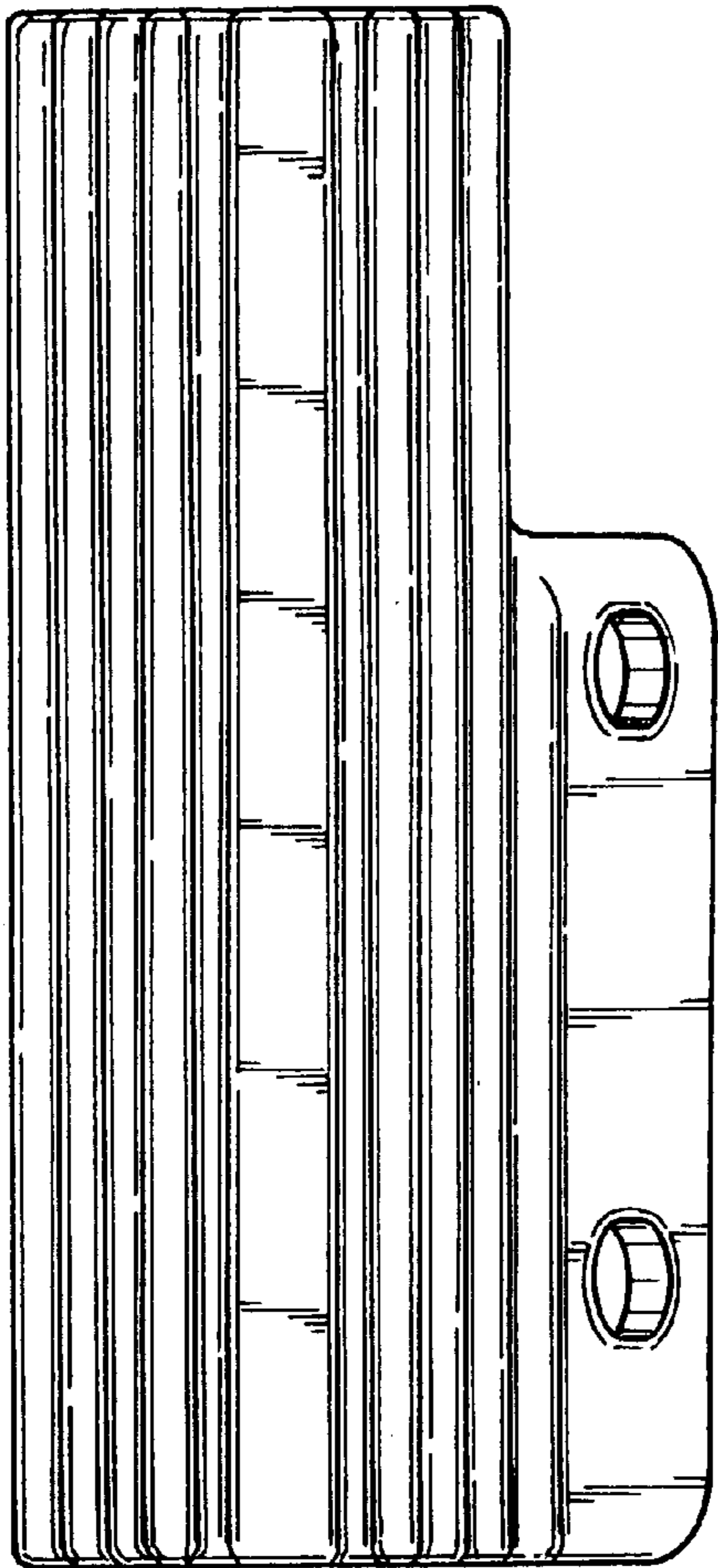


FIG. 1

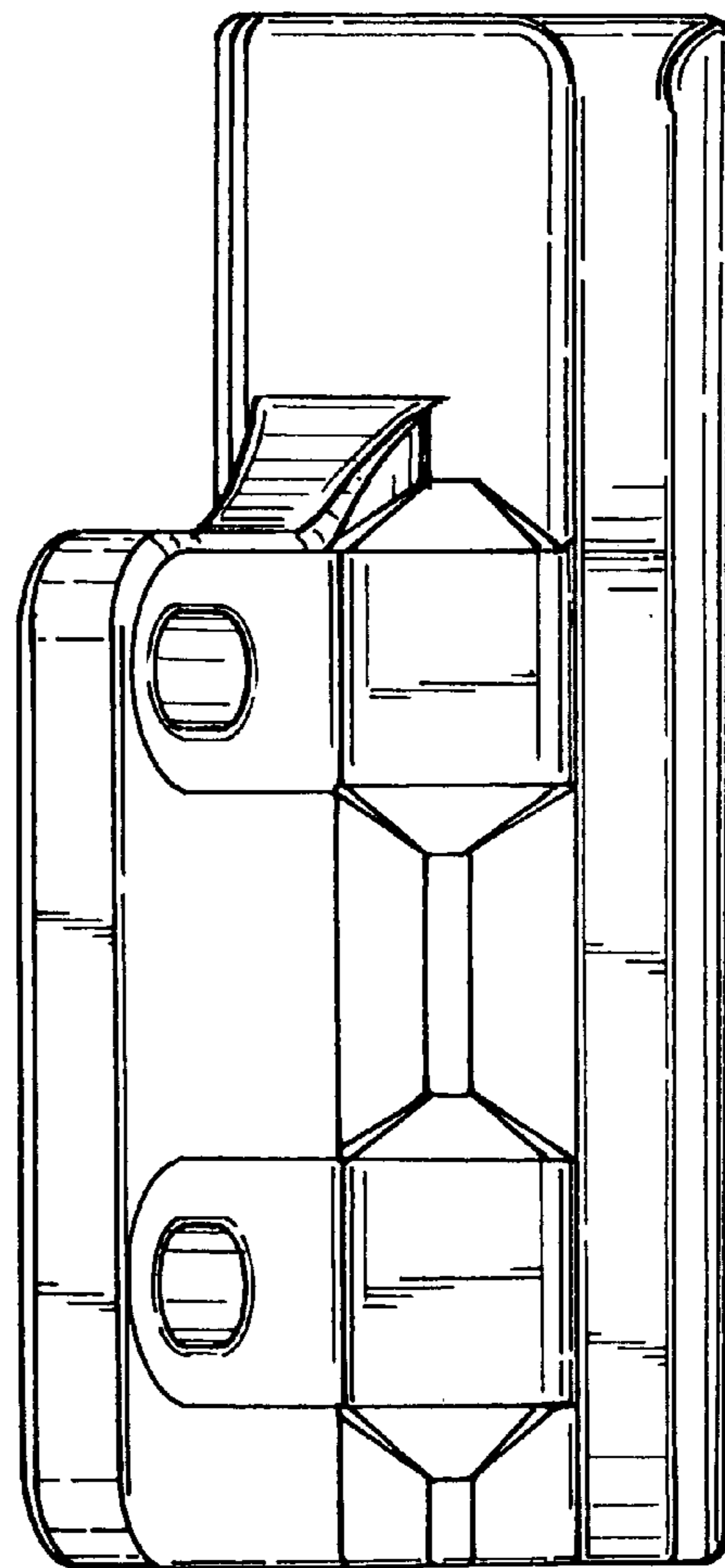


FIG. 6

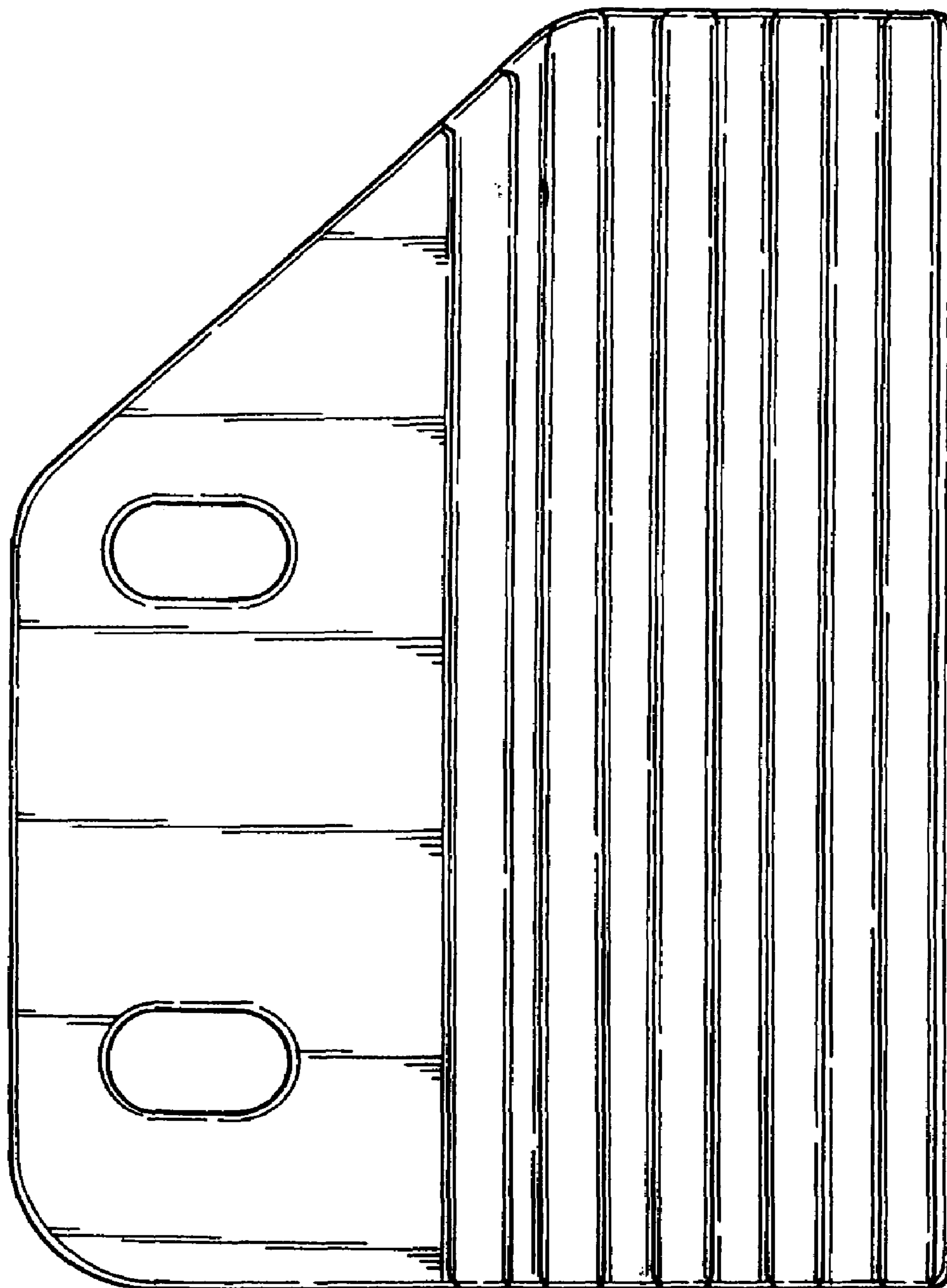


FIG. 2

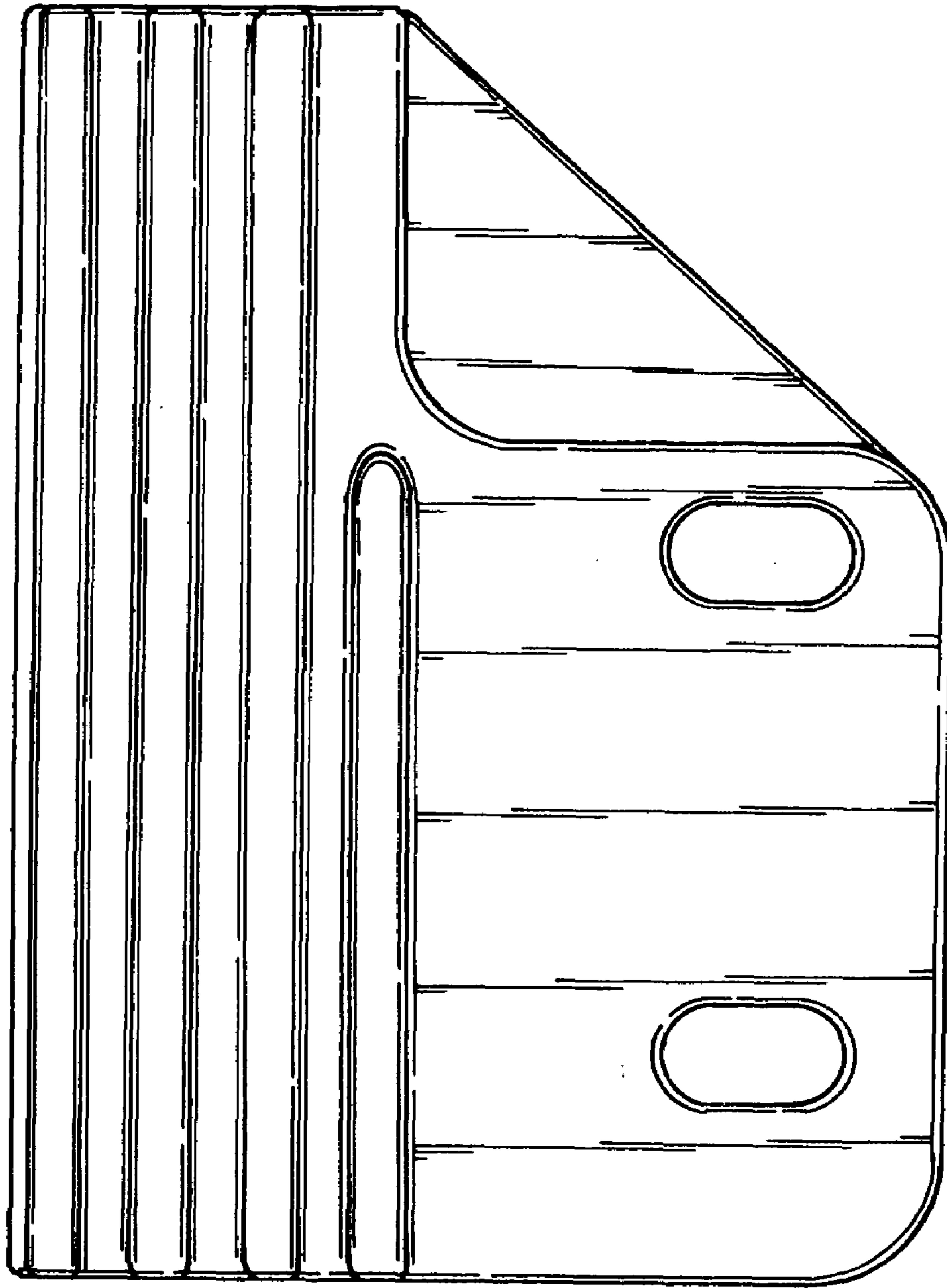


FIG. 3

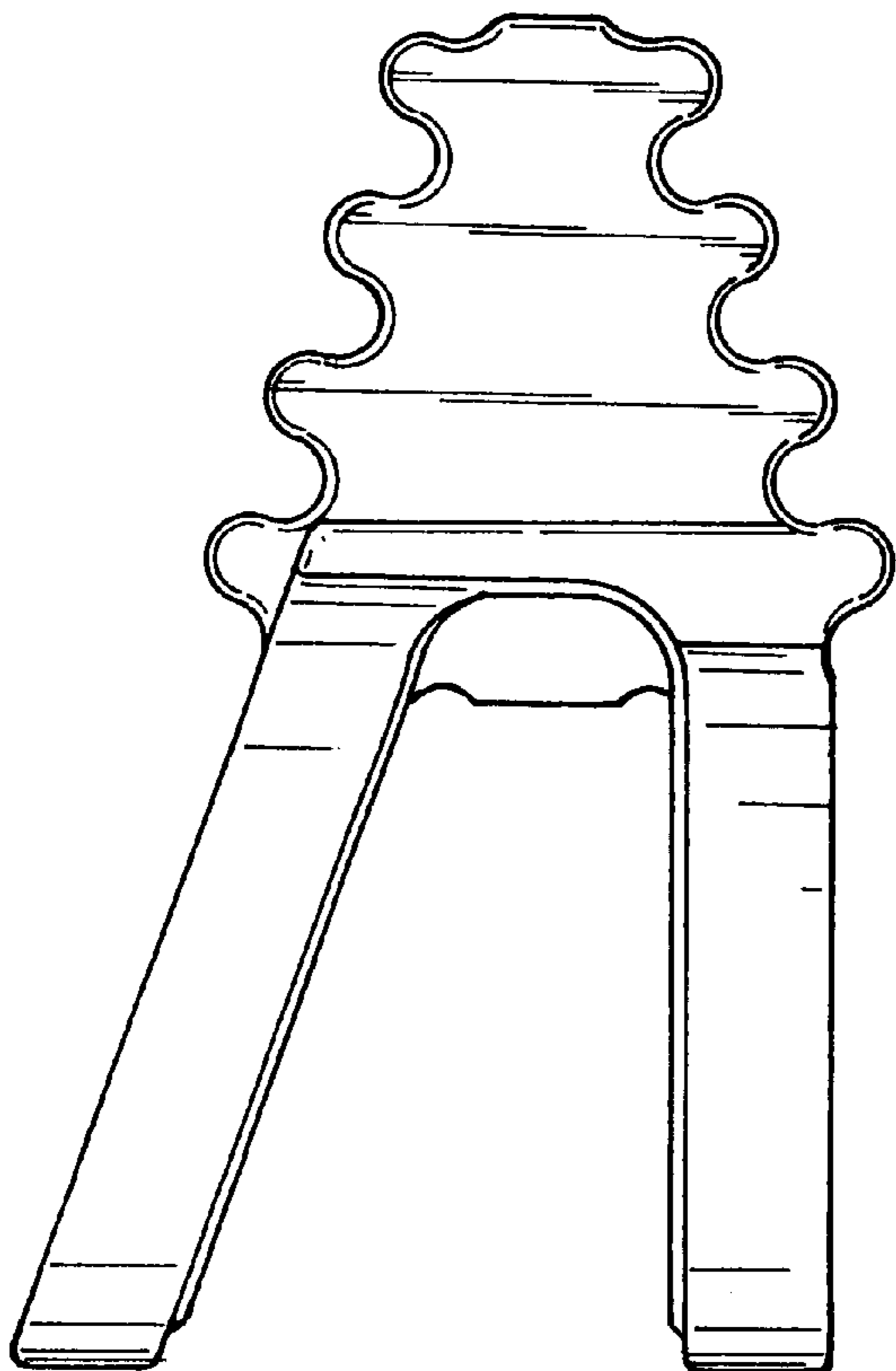


FIG. 4

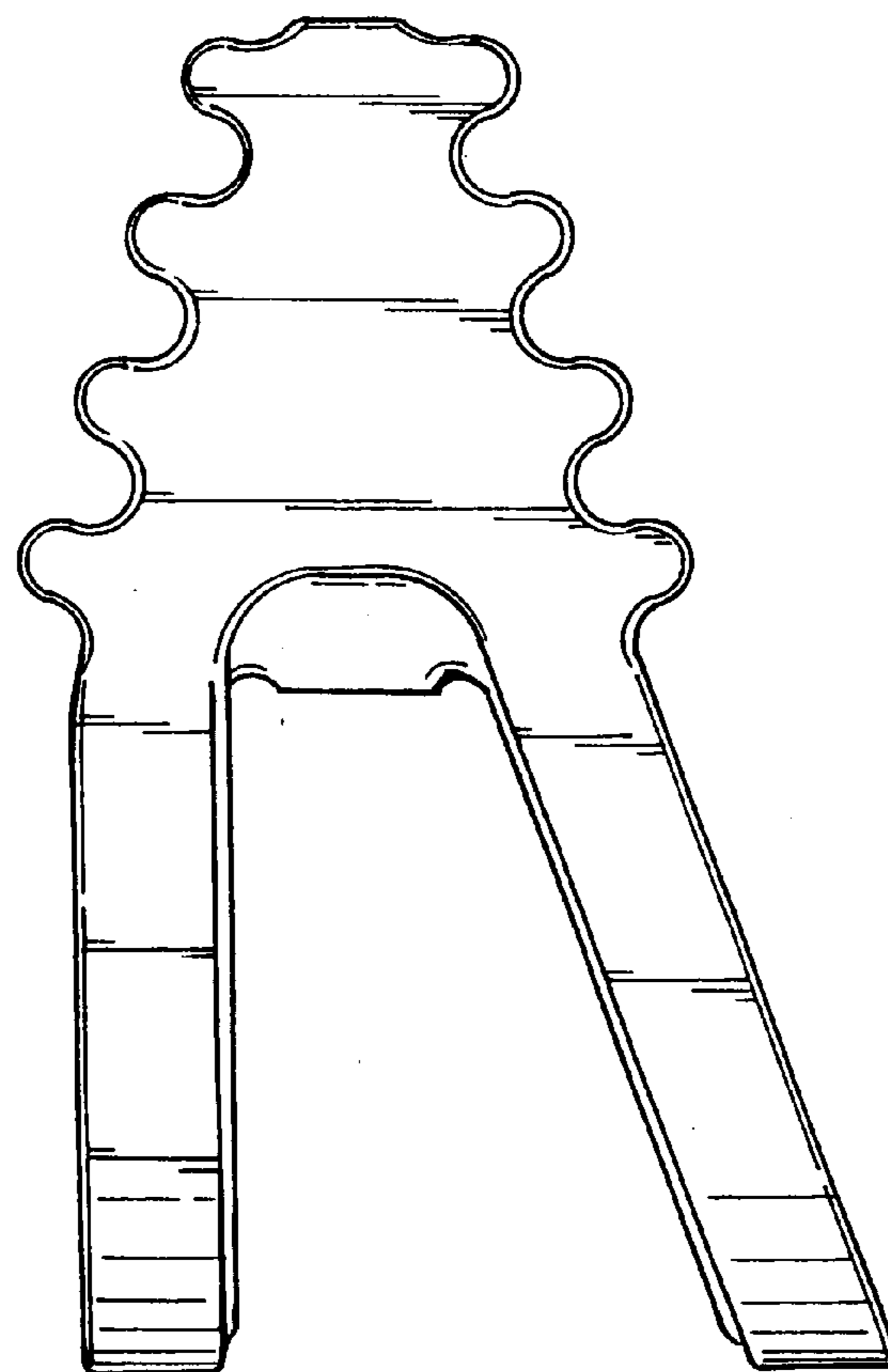


FIG. 5

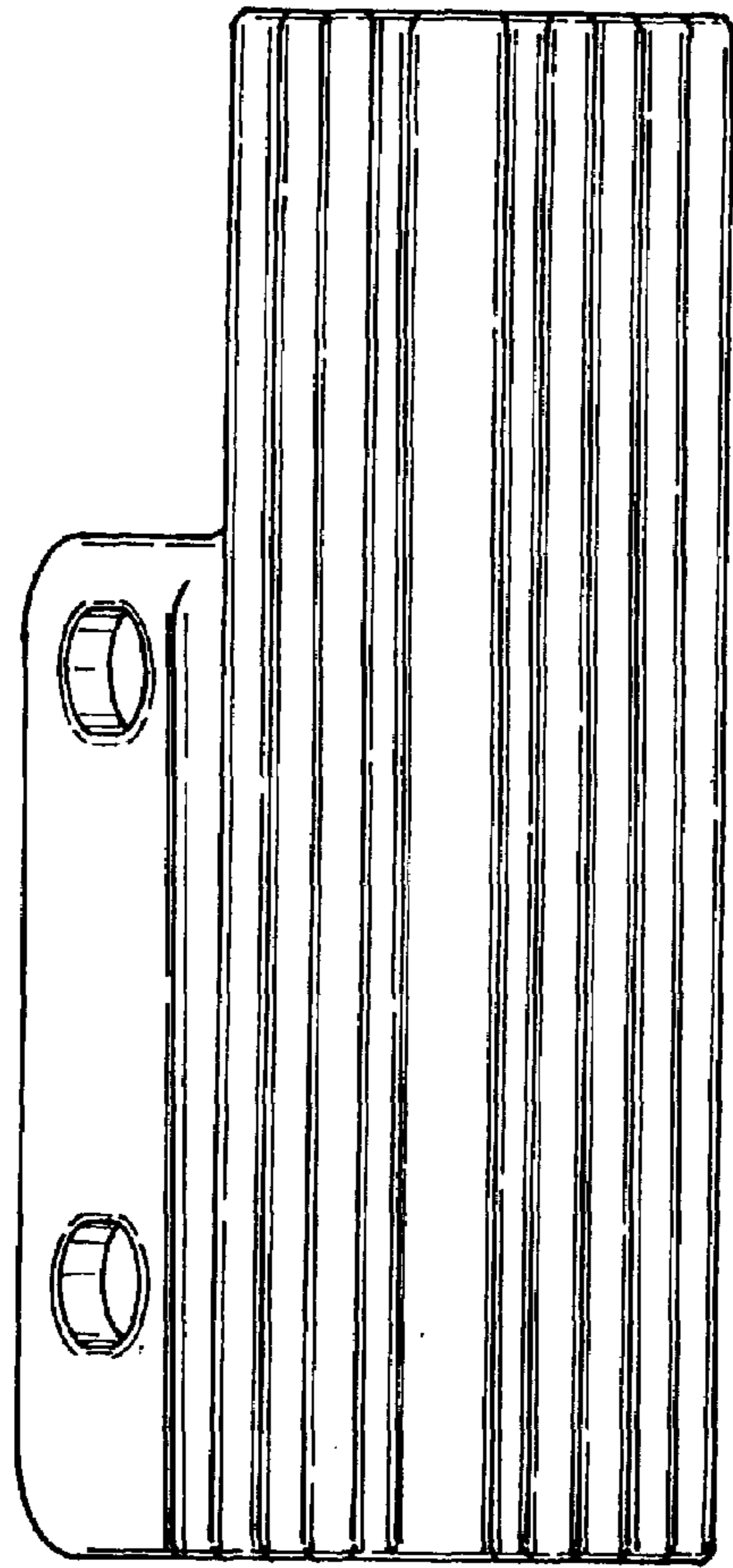


FIG. 7

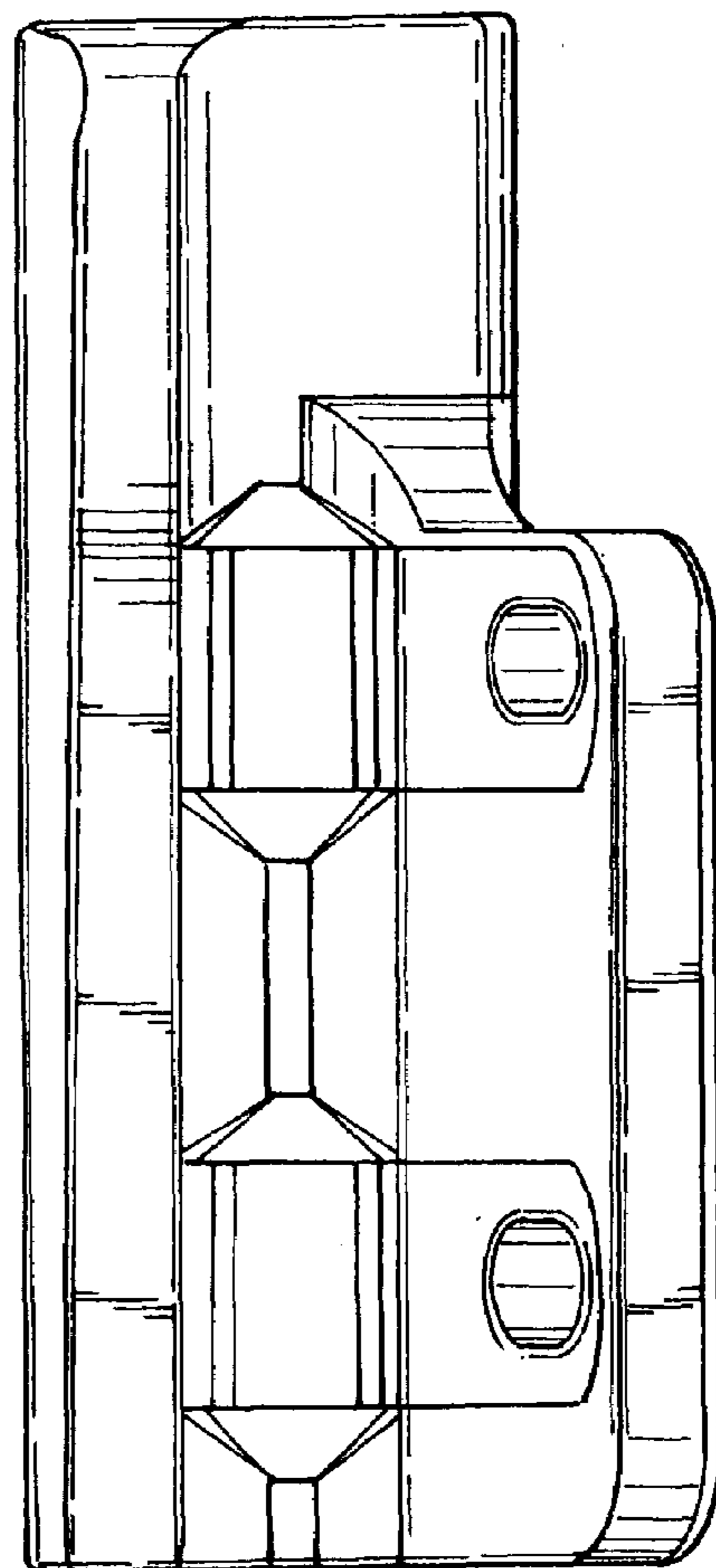


FIG. 12

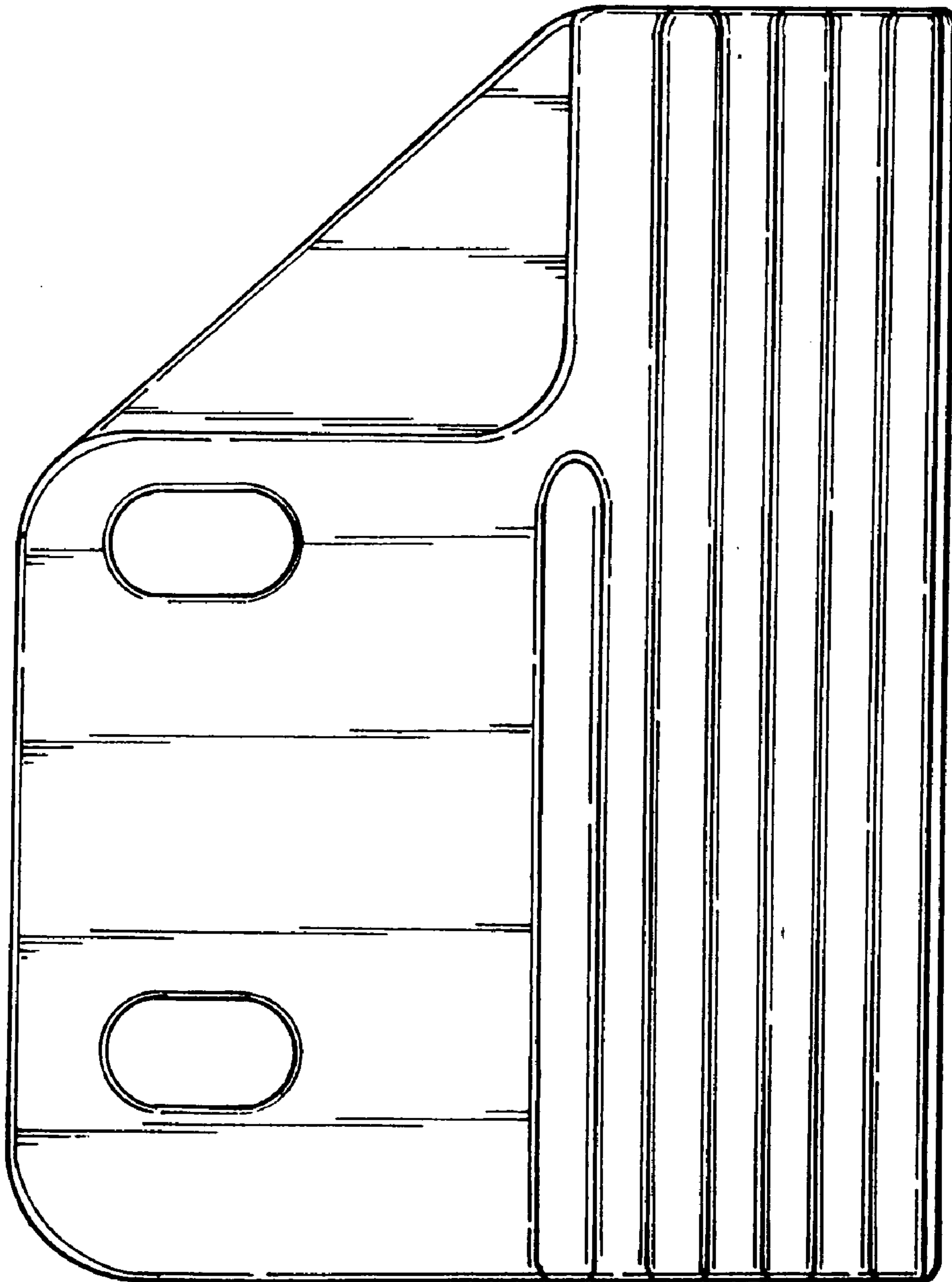


FIG. 8

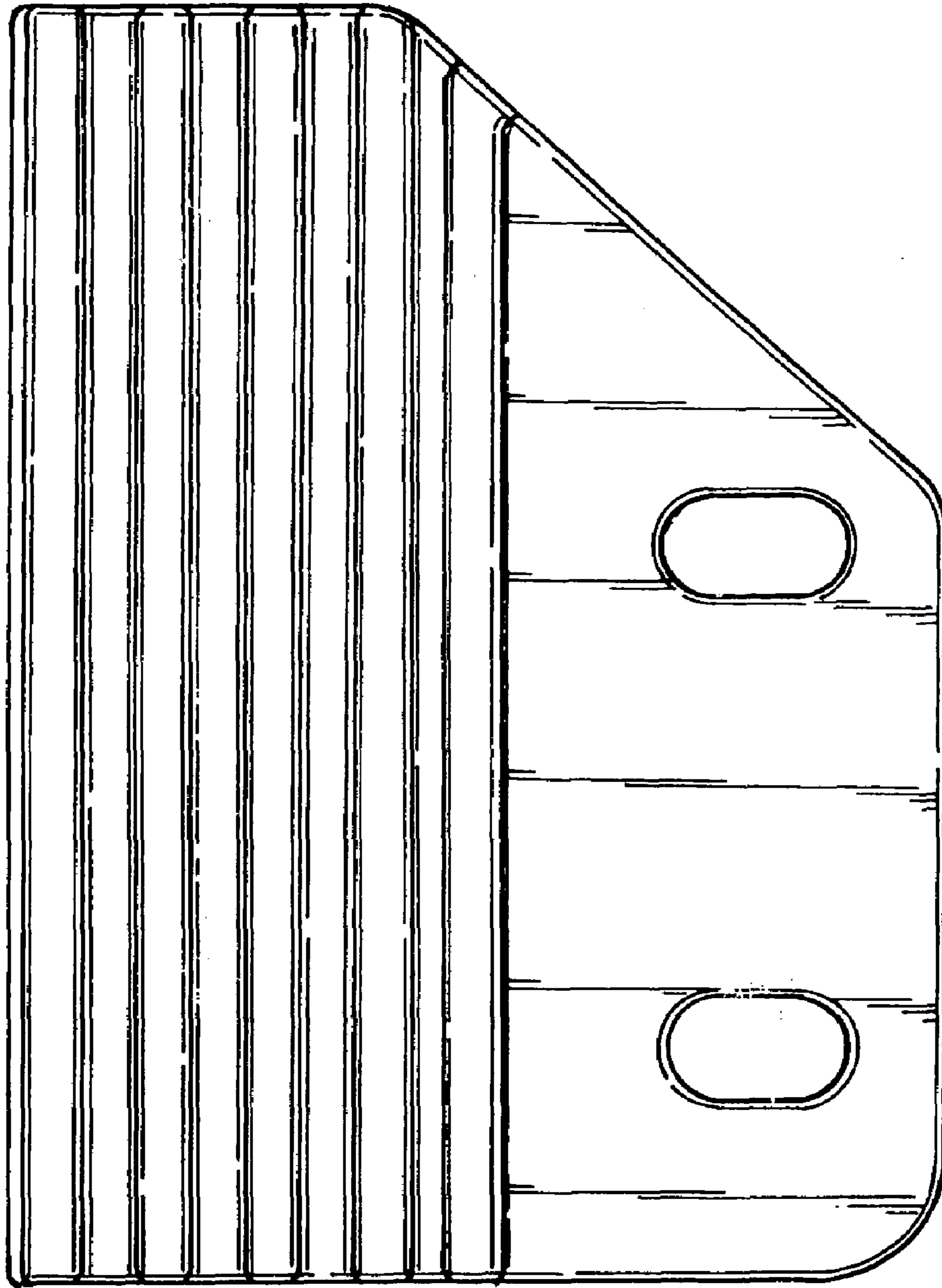


FIG. 9

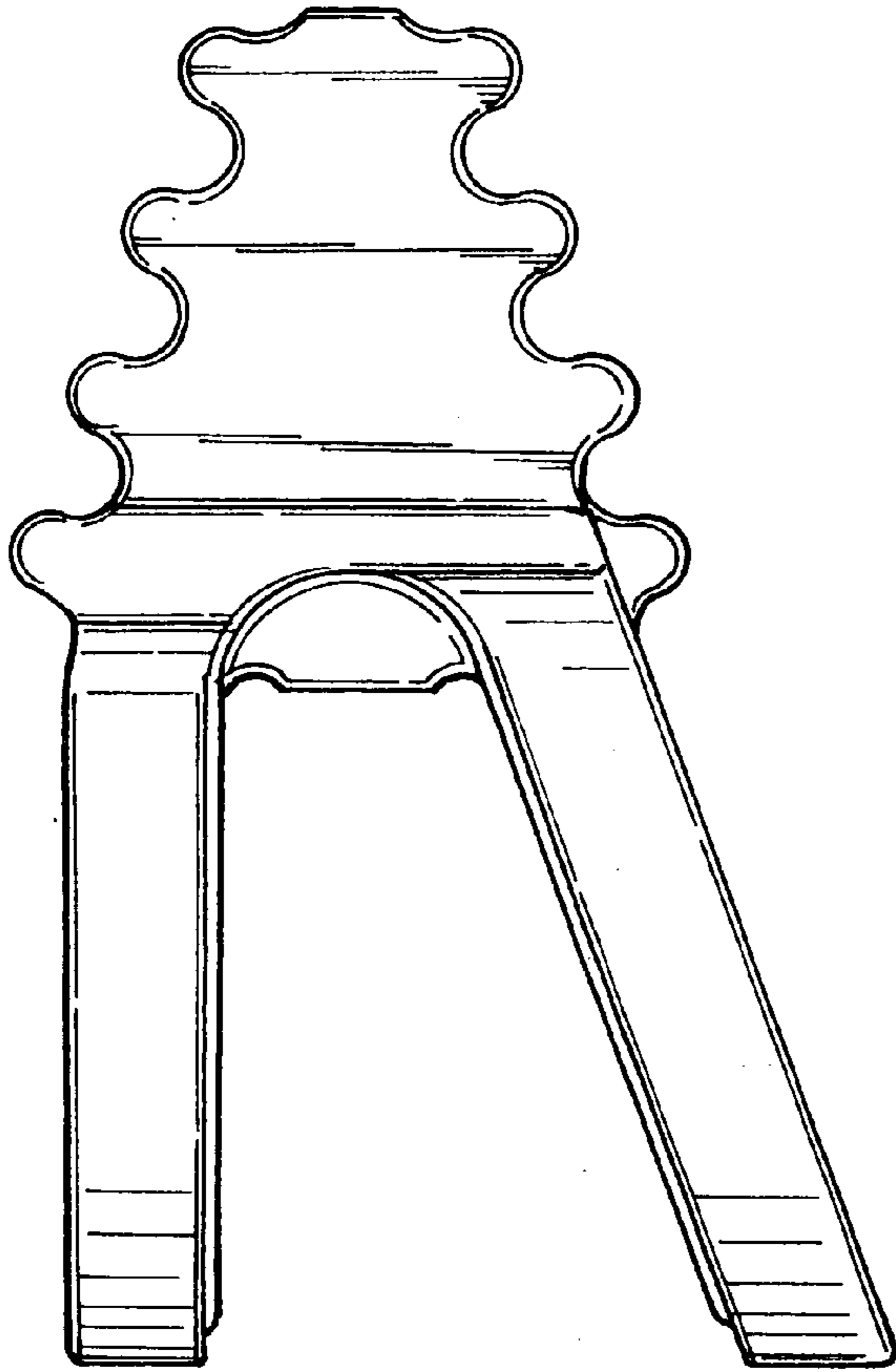


FIG. 10

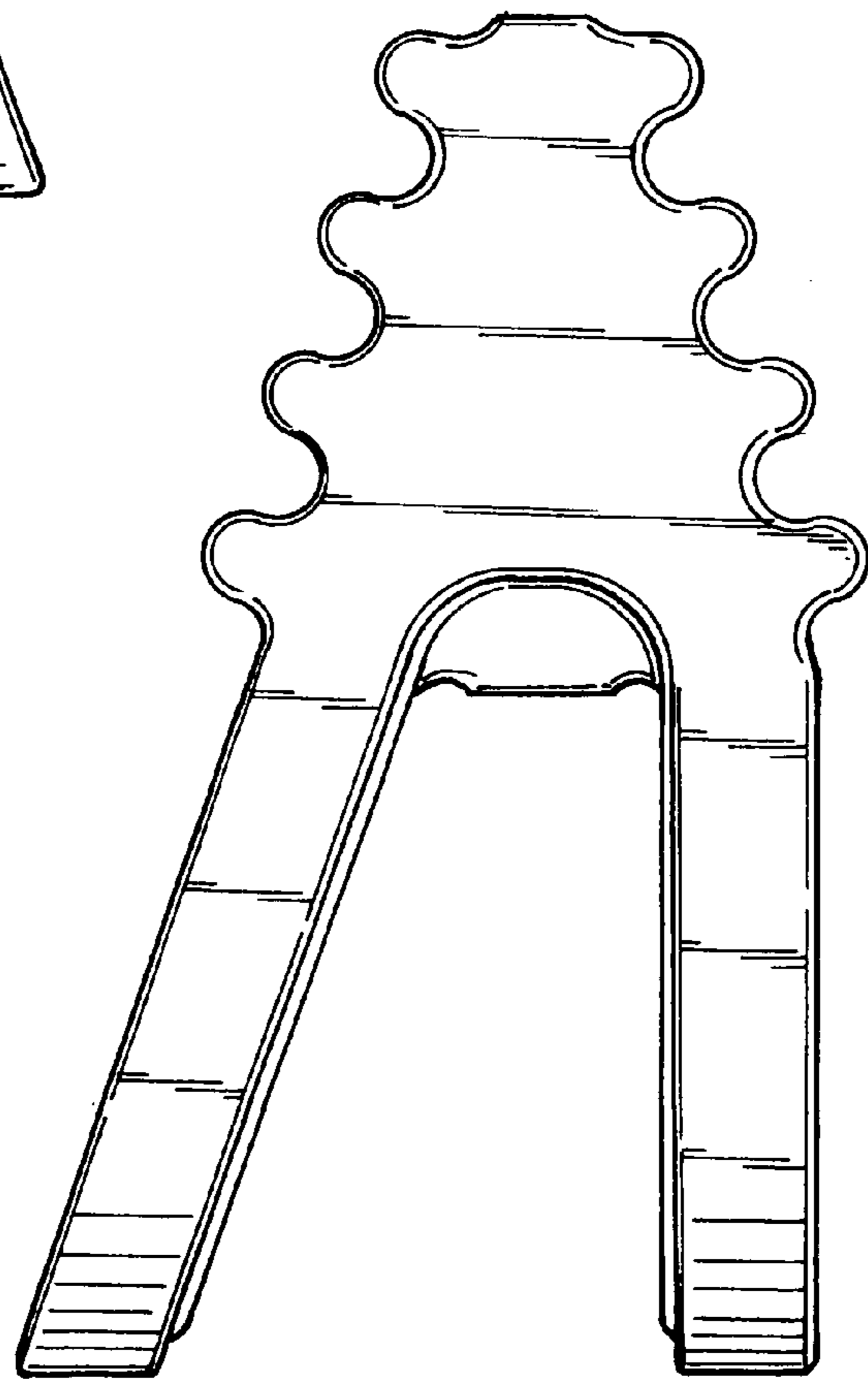


FIG. 11