



US00D567822S

(12) **United States Design Patent**
Martz

(10) **Patent No.:** **US D567,822 S**

(45) **Date of Patent:** **** Apr. 29, 2008**

(54) **ROTARY CULTIVATOR**

(75) Inventor: **Jean-Pierre Martz**, Les Lilas (FR)

(73) Assignee: **Pubert Henri SAS**, Chantonnay (FR)

(**) Term: **14 Years**

(21) Appl. No.: **29/280,699**

(22) Filed: **Jun. 5, 2007**

(30) **Foreign Application Priority Data**

Dec. 7, 2006 (EM) 000633839-0001

(51) **LOC (8) Cl.** **15-03**

(52) **U.S. Cl.** **D15/12**

(58) **Field of Classification Search** D15/10-12;
180/53.1; 56/16.7; 172/42-44, 48, 72, 250,
172/256, 260, 351, 365, 329

See application file for complete search history.

(56) **References Cited**

U.S. PATENT DOCUMENTS

D231,005	S	*	3/1974	Noma et al.	D15/12
3,985,185	A	*	10/1976	Pierce	172/81
D249,518	S	*	9/1978	Cognata et al.	D15/12
4,191,259	A	*	3/1980	Boren	172/43
D281,610	S	*	12/1985	Sasaki	D15/12
D281,611	S	*	12/1985	Mikado	D15/12
4,640,366	A	*	2/1987	Saito	172/42
5,197,551	A	*	3/1993	Farley	172/42

D415,502	S	*	10/1999	Yoshida	D15/12
D416,026	S	*	11/1999	Ohsumi et al.	D15/12
D449,052	S	*	10/2001	Ito et al.	D15/12
6,540,031	B1	*	4/2003	Sasaoka	172/42
D475,067	S	*	5/2003	Ito et al.	D15/12
D486,502	S	*	2/2004	Yuzuriha et al.	D15/12
D540,827	S	*	4/2007	Notaras et al.	D15/12
2003/0159838	A1	*	8/2003	Miyahara et al.	172/42
2004/0194982	A1	*	10/2004	Fukuzumi et al.	172/42

* cited by examiner

Primary Examiner—Mitchell Siegel

Assistant Examiner—Mark Goodwin

(74) *Attorney, Agent, or Firm*—Workman Nydegger

(57) **CLAIM**

The ornamental design for a rotary cultivator, as shown and described.

DESCRIPTION

FIG. 1 is a perspective view of a rotary cultivator showing my new design;

FIG. 2 is a front elevational view thereof;

FIG. 3 is a rear elevational view thereof;

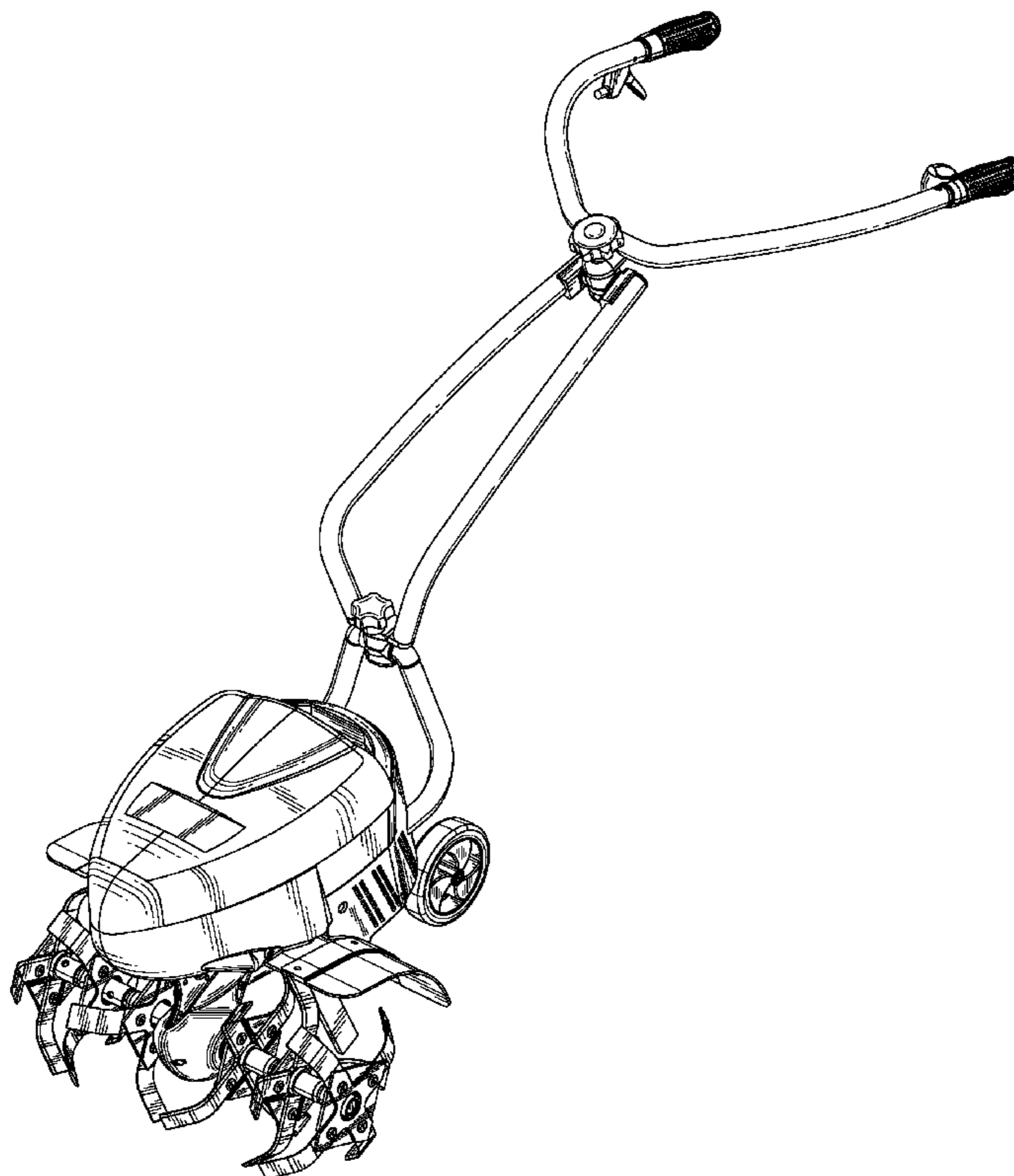
FIG. 4 is a right side elevational view thereof;

FIG. 5 is a left side elevational view thereof;

FIG. 6 is a bottom plan view thereof; and,

FIG. 7 is a top plan view thereof.

1 Claim, 7 Drawing Sheets



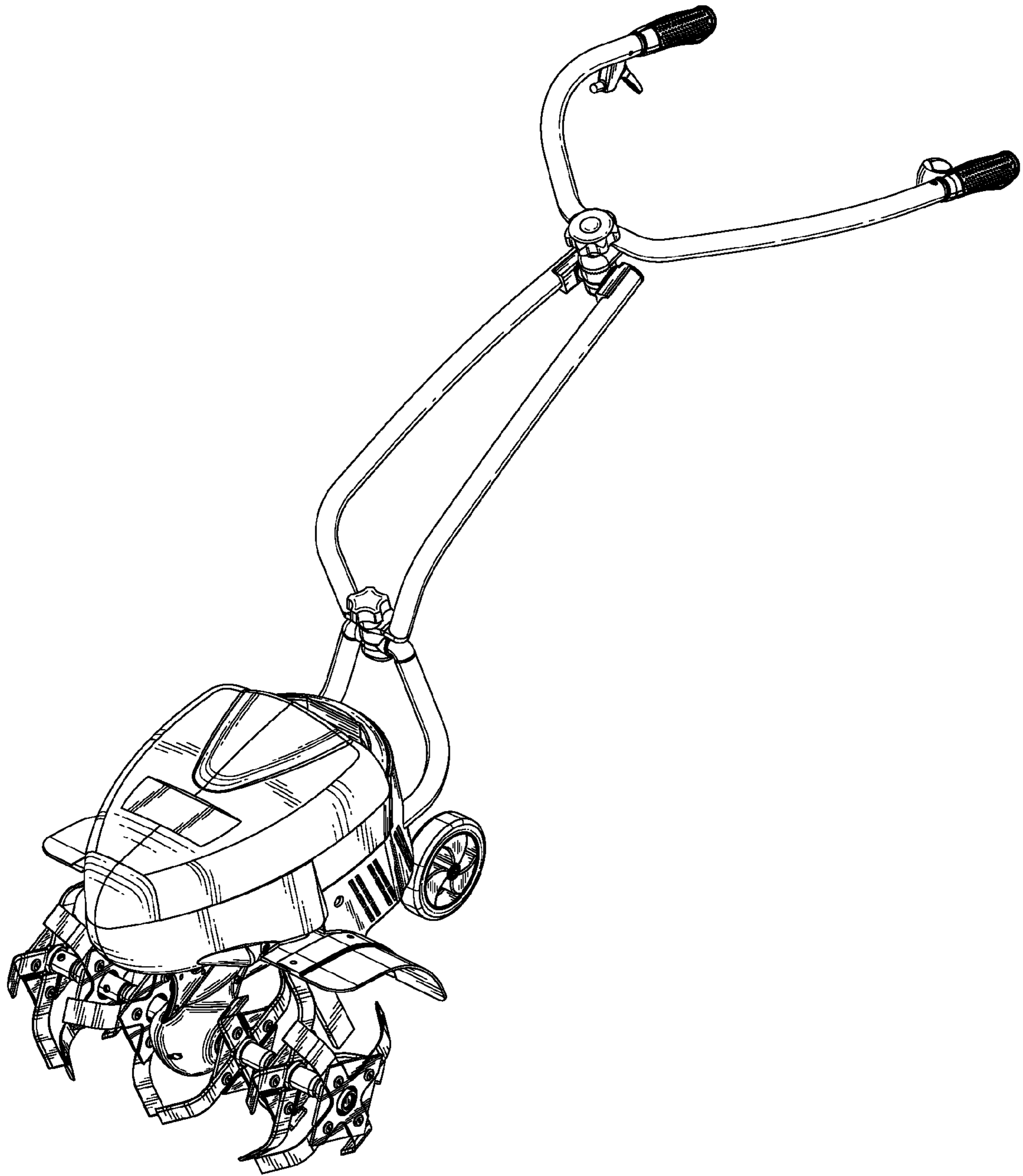


Fig. 1

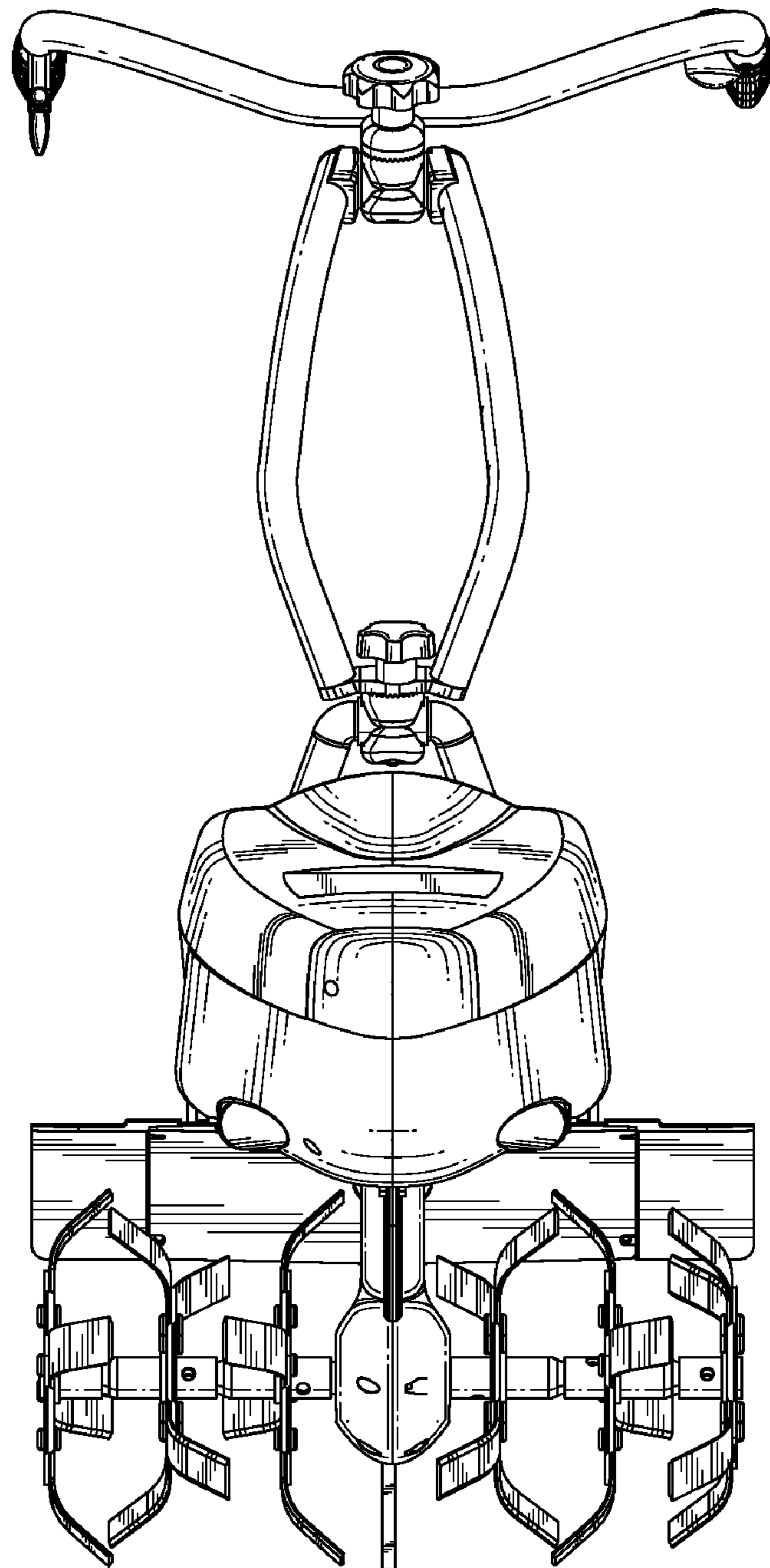


Fig. 2

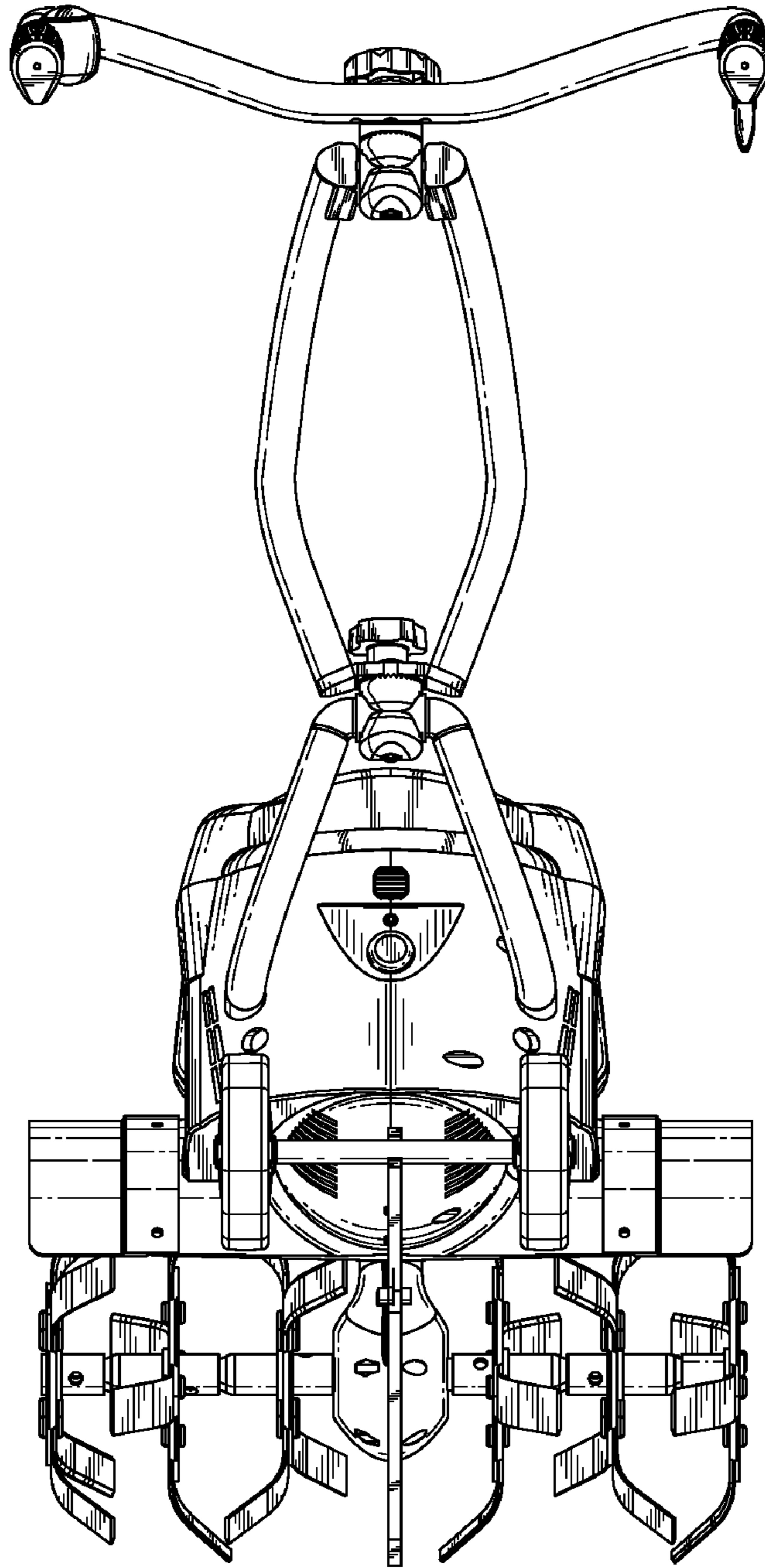


Fig. 3

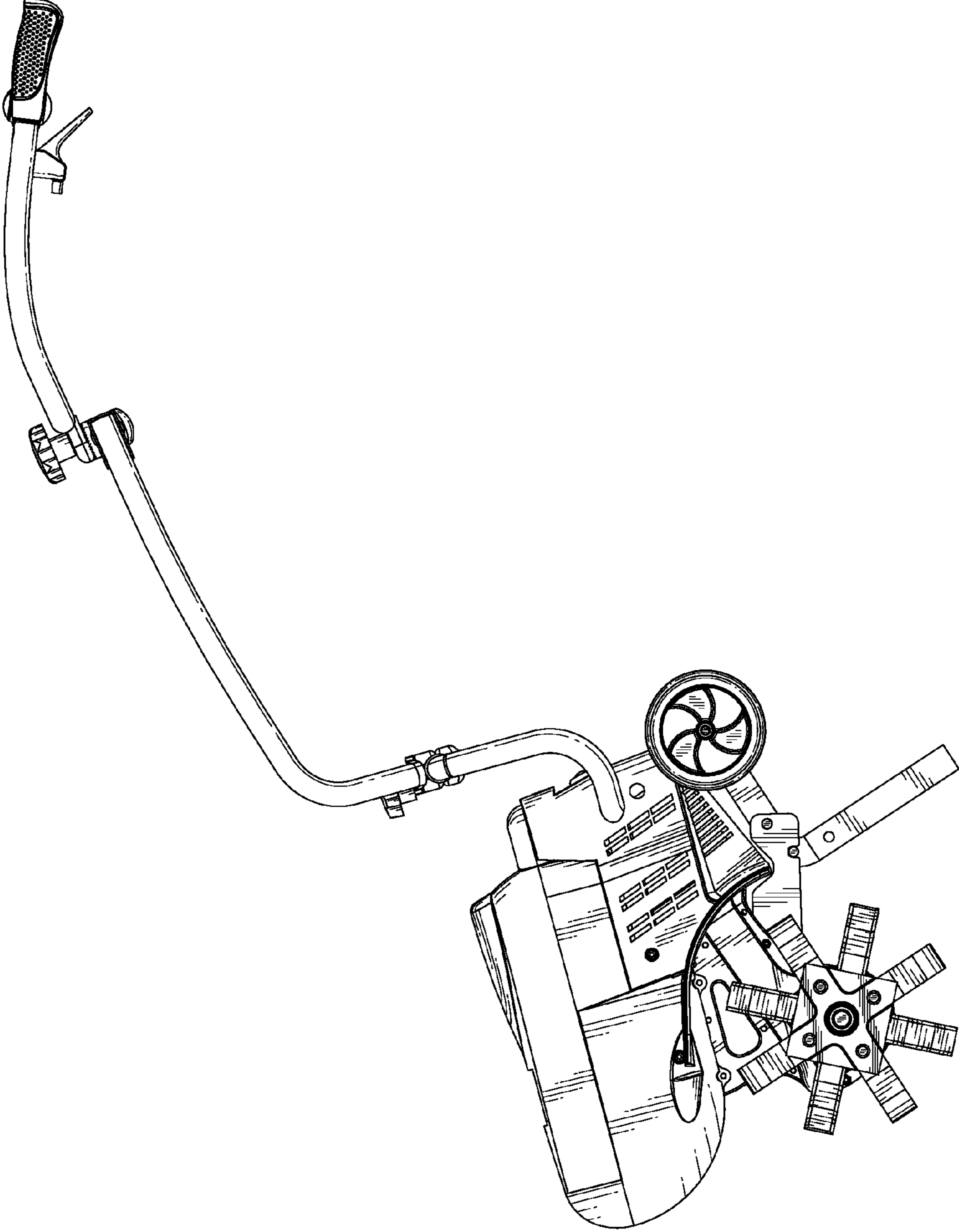


Fig. 4

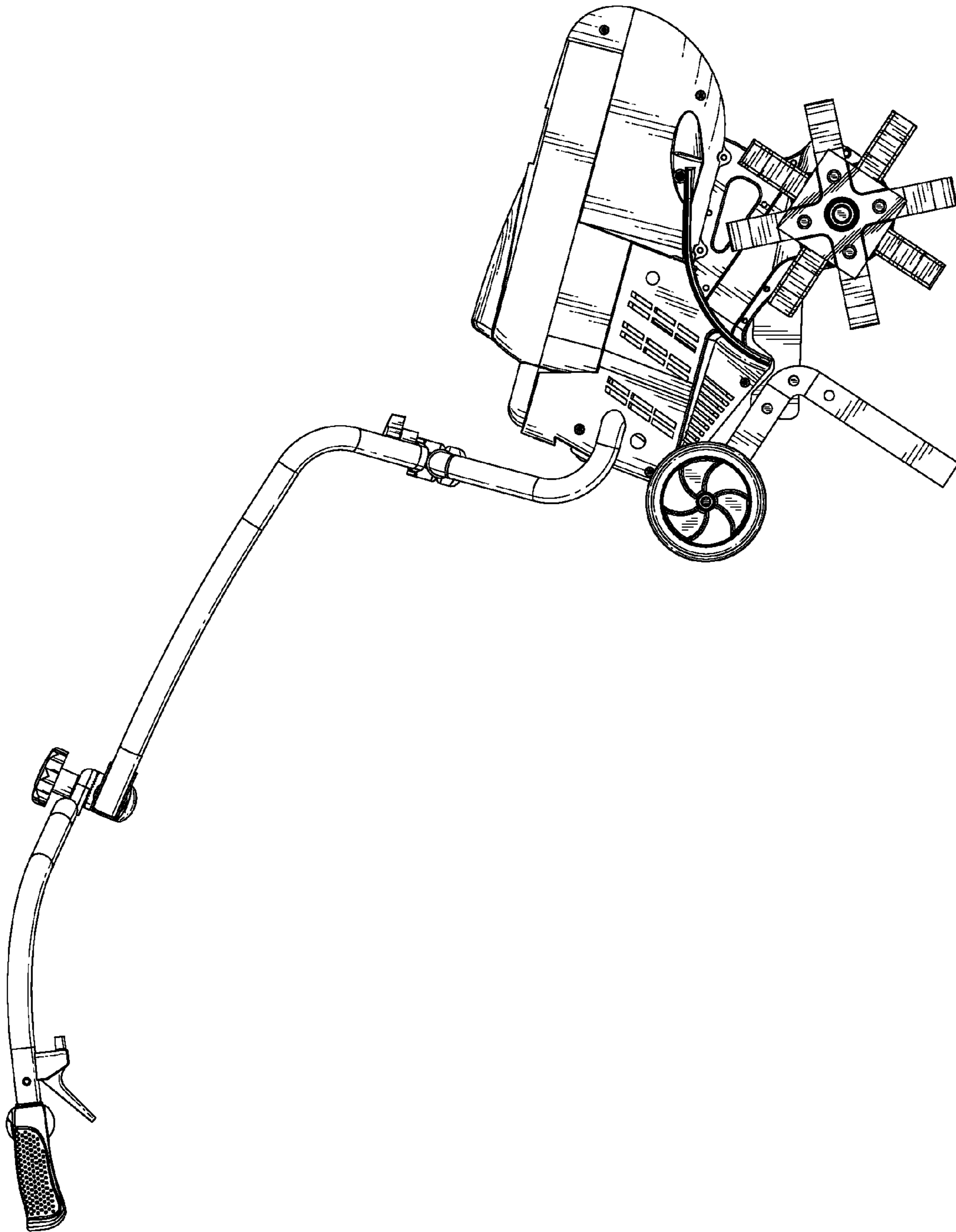


Fig. 5

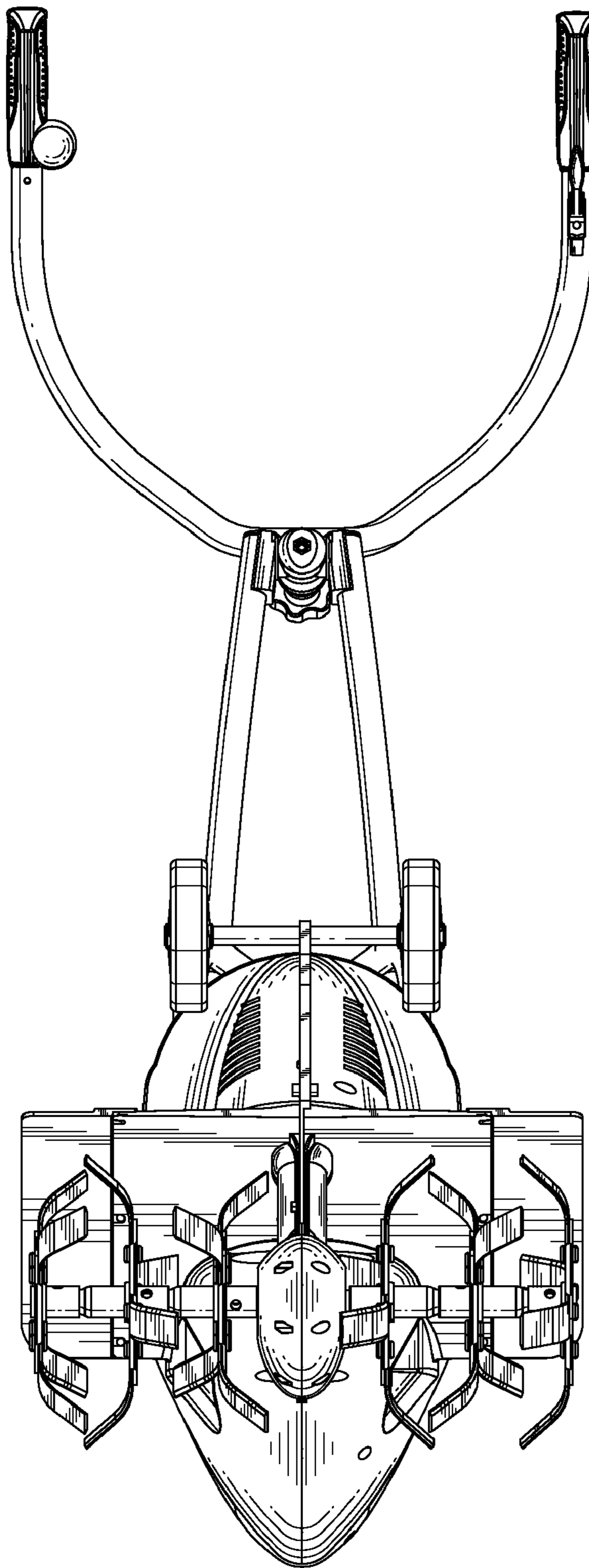


Fig. 6

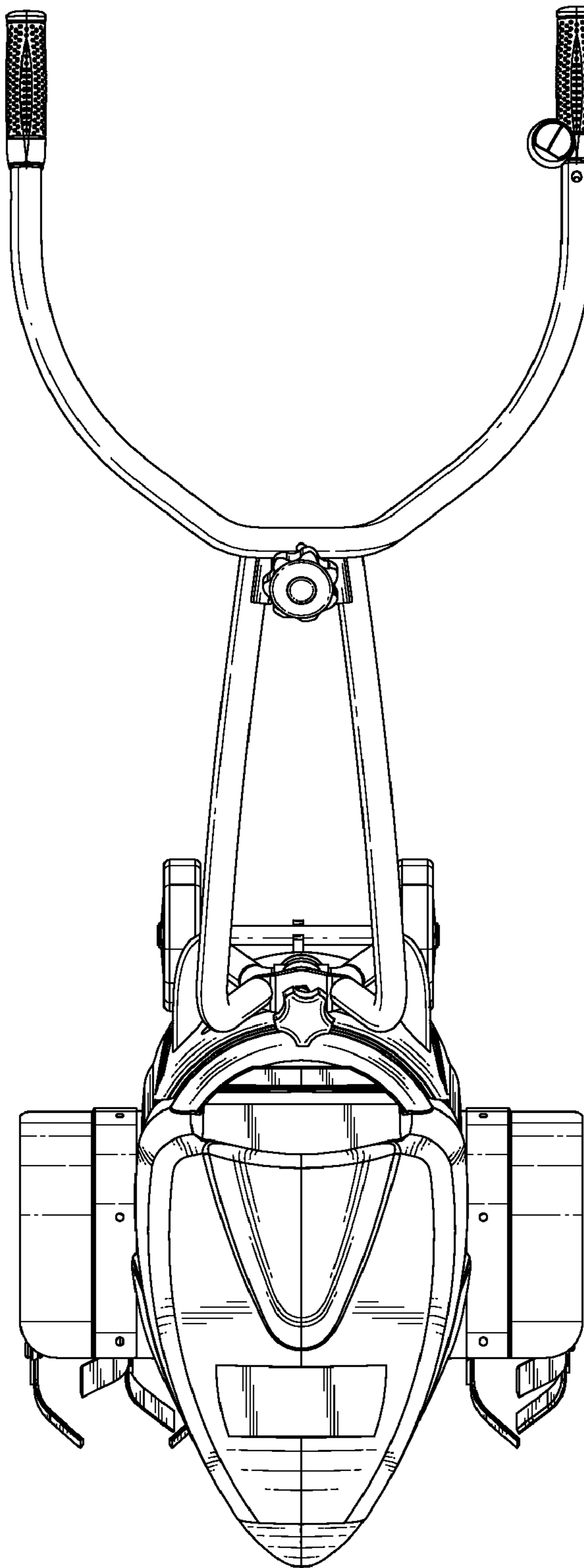


Fig. 7