



US00D567812S

(12) **United States Design Patent**  
**Kimura et al.**

(10) **Patent No.:** **US D567,812 S**

(45) **Date of Patent:** **\*\* Apr. 29, 2008**

(54) **DIGITAL AUDIO DISC PLAYER FOR  
AUTOMOBILE**

(75) Inventors: **Kenji Kimura**, Kanagawa (JP);  
**Hiroshi Yamamoto**, Kanagawa (JP)

(73) Assignee: **Victor Company of Japan, Limited**,  
Yokohama-shi, Kanagawa (JP)

(\*\*) Term: **14 Years**

(21) Appl. No.: **29/286,557**

(22) Filed: **May 10, 2007**

(30) **Foreign Application Priority Data**

Nov. 10, 2006 (JP) ..... 2006-030877

(51) **LOC (8) Cl.** ..... **14-01**

(52) **U.S. Cl.** ..... **D14/258**

(58) **Field of Classification Search** ..... D14/258,  
D14/257, 224, 217, 198, 197, 188, 171, 170,  
D14/168, 167, 164, 162, 161, 160, 157, 156,  
D14/136, 135; 720/691, 658, 270; 455/344,  
455/575.1; 396/434, 93; 386/1; 369/93,  
369/75.1; 360/47, 4; 359/550, 258; 349/460,  
349/159, 10

See application file for complete search history.

(56) **References Cited**

**U.S. PATENT DOCUMENTS**

D452,859 S \* 1/2002 Le Thellec ..... D14/258  
D483,343 S \* 12/2003 Seshita ..... D14/157  
D533,535 S \* 12/2006 Mizokawa ..... D14/157  
D537,055 S \* 2/2007 Endo et al. .... D14/136  
D537,057 S \* 2/2007 Mizokawa ..... D14/136  
D538,798 S \* 3/2007 Kimura et al. .... D14/258

D539,769 S \* 4/2007 Yoshihara et al. .... D14/136  
D542,261 S \* 5/2007 Uehara et al. .... D14/156  
D544,860 S \* 6/2007 Kimura et al. .... D14/258  
D554,088 S \* 10/2007 Matsumoto ..... D14/136  
D556,184 S \* 11/2007 Uehara et al. .... D14/156

\* cited by examiner

*Primary Examiner*—Robert M. Spear

*Assistant Examiner*—Katrina A Kile

(74) *Attorney, Agent, or Firm*—Osha Liang LLP

(57) **CLAIM**

The ornamental design for a digital audio disc player for automobile, as shown and described.

**DESCRIPTION**

FIG. 1 is a perspective view of the front, left side and top plan of the invention.

FIG. 2 is a top plan view of the design according to the invention.

FIG. 3 is a front view of the design according to the invention.

FIG. 4 is a left side view of the design according to the invention.

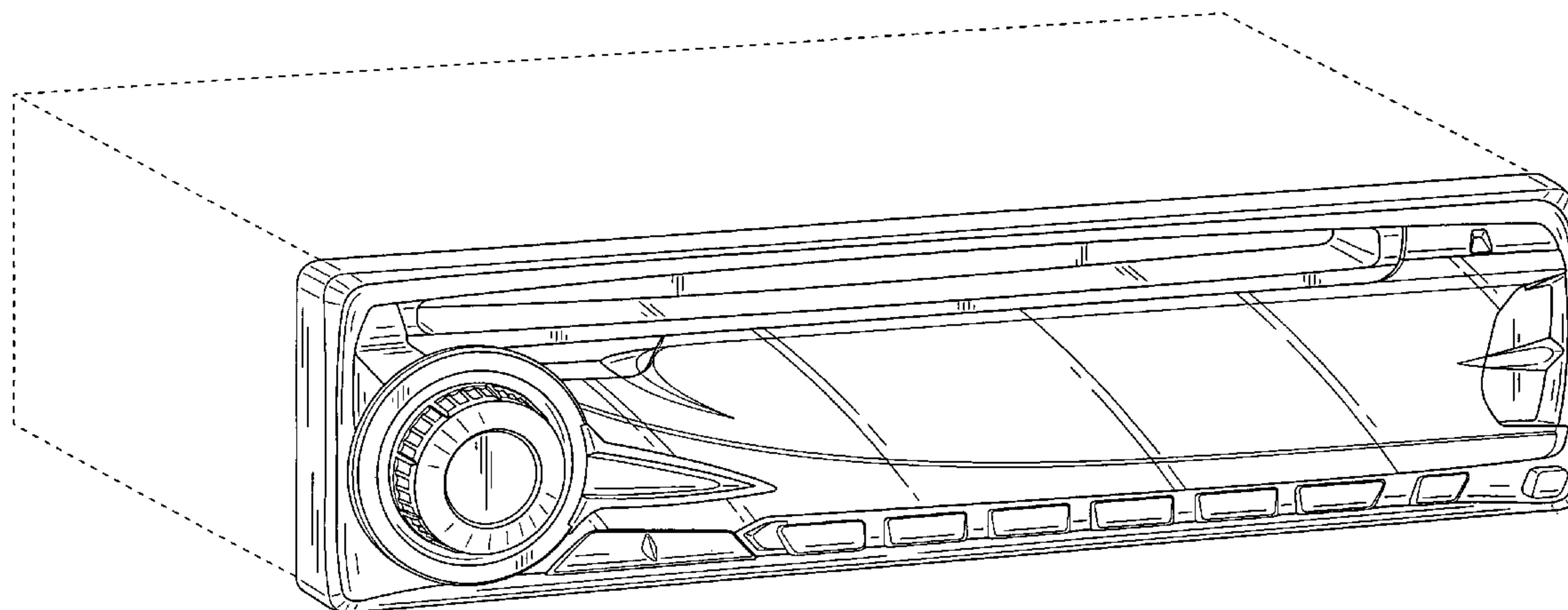
FIG. 5 is a right side view of the design according to the invention.

FIG. 6 is a bottom view of the design according to the invention; and,

FIG. 7 is a rear view of the design according to the invention.

The elements shown in broken lines are for illustrative purposes only and form no part of the claimed design.

**1 Claim, 4 Drawing Sheets**



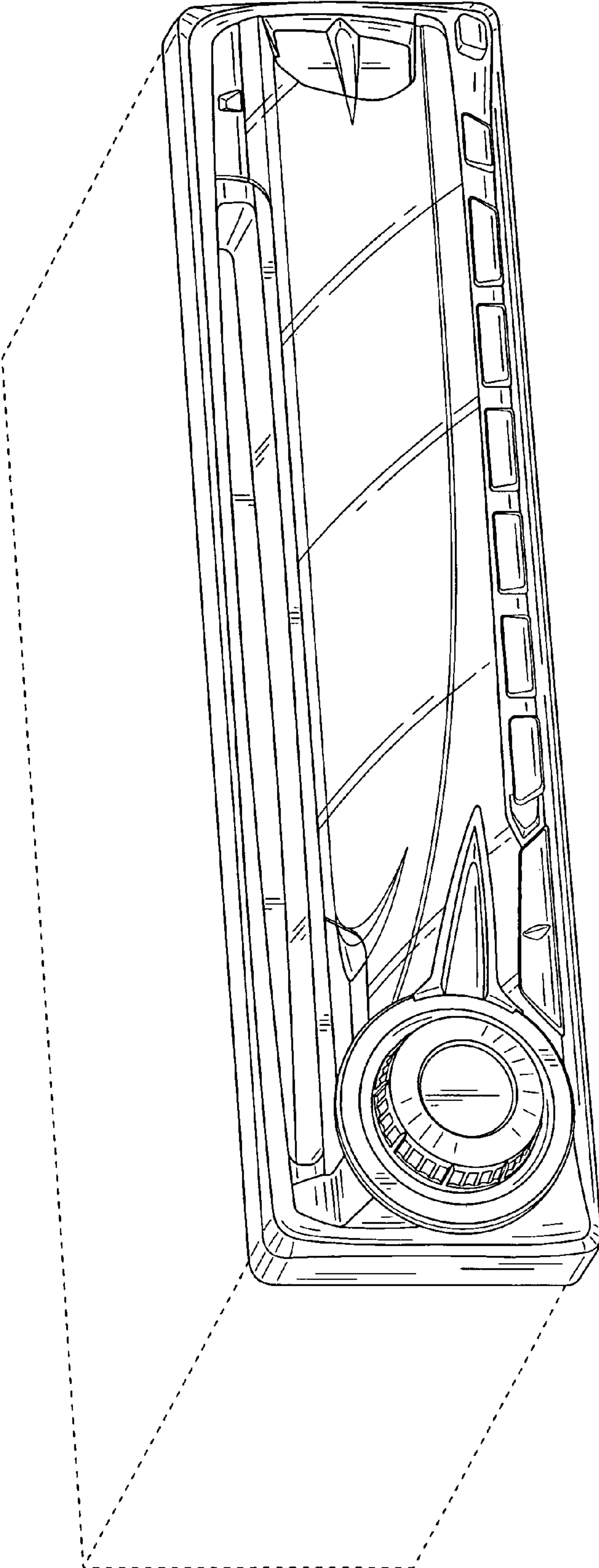


FIG. 1

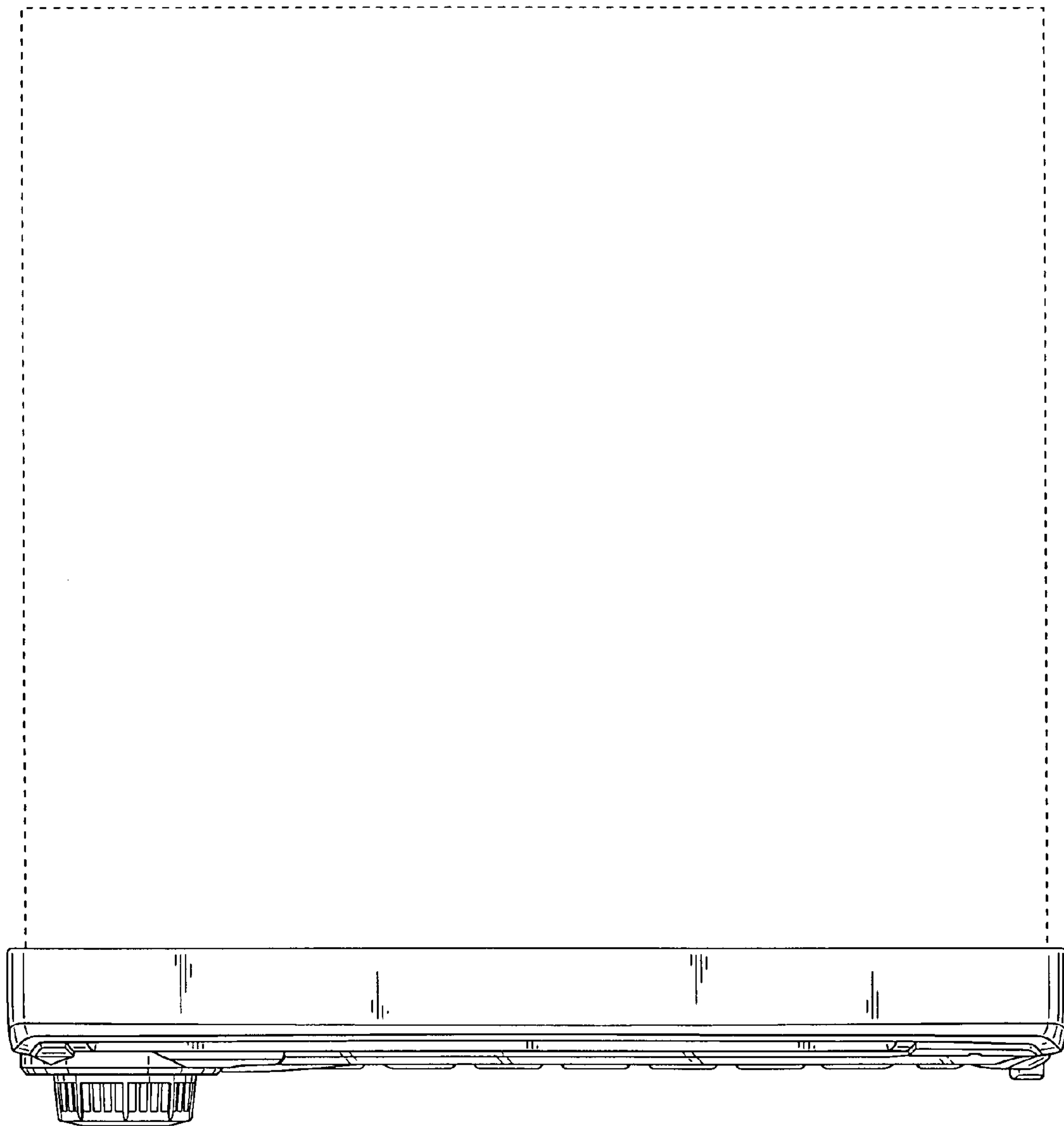


FIG. 2

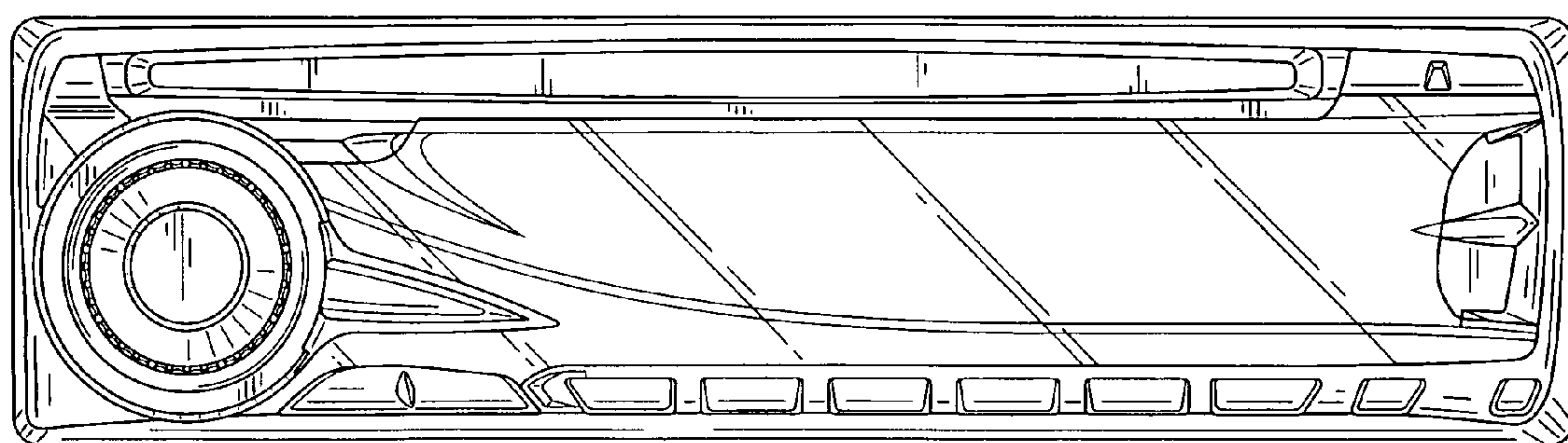


FIG. 3

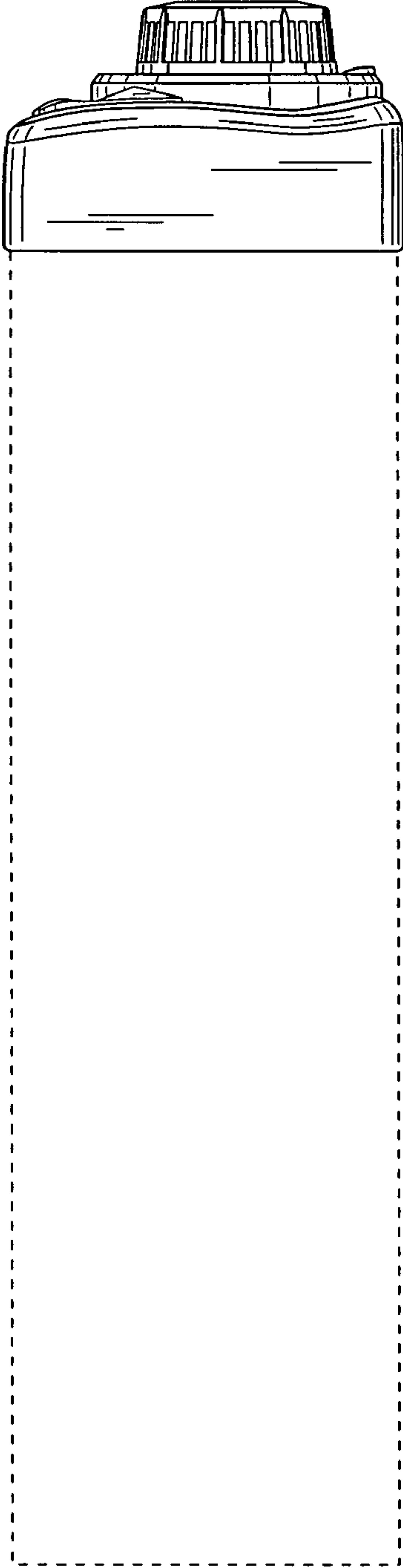


FIG. 4

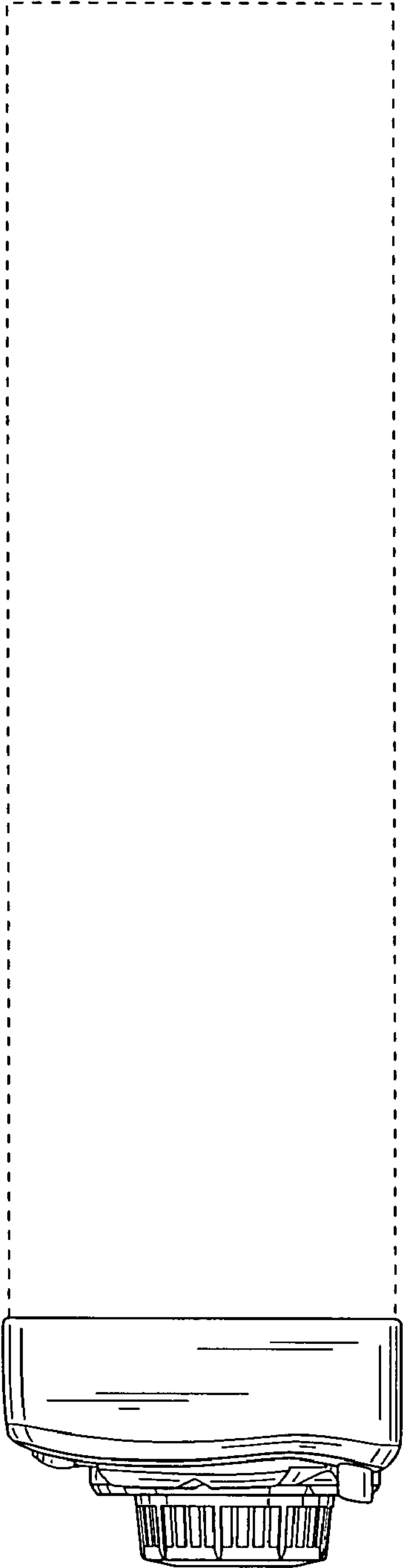
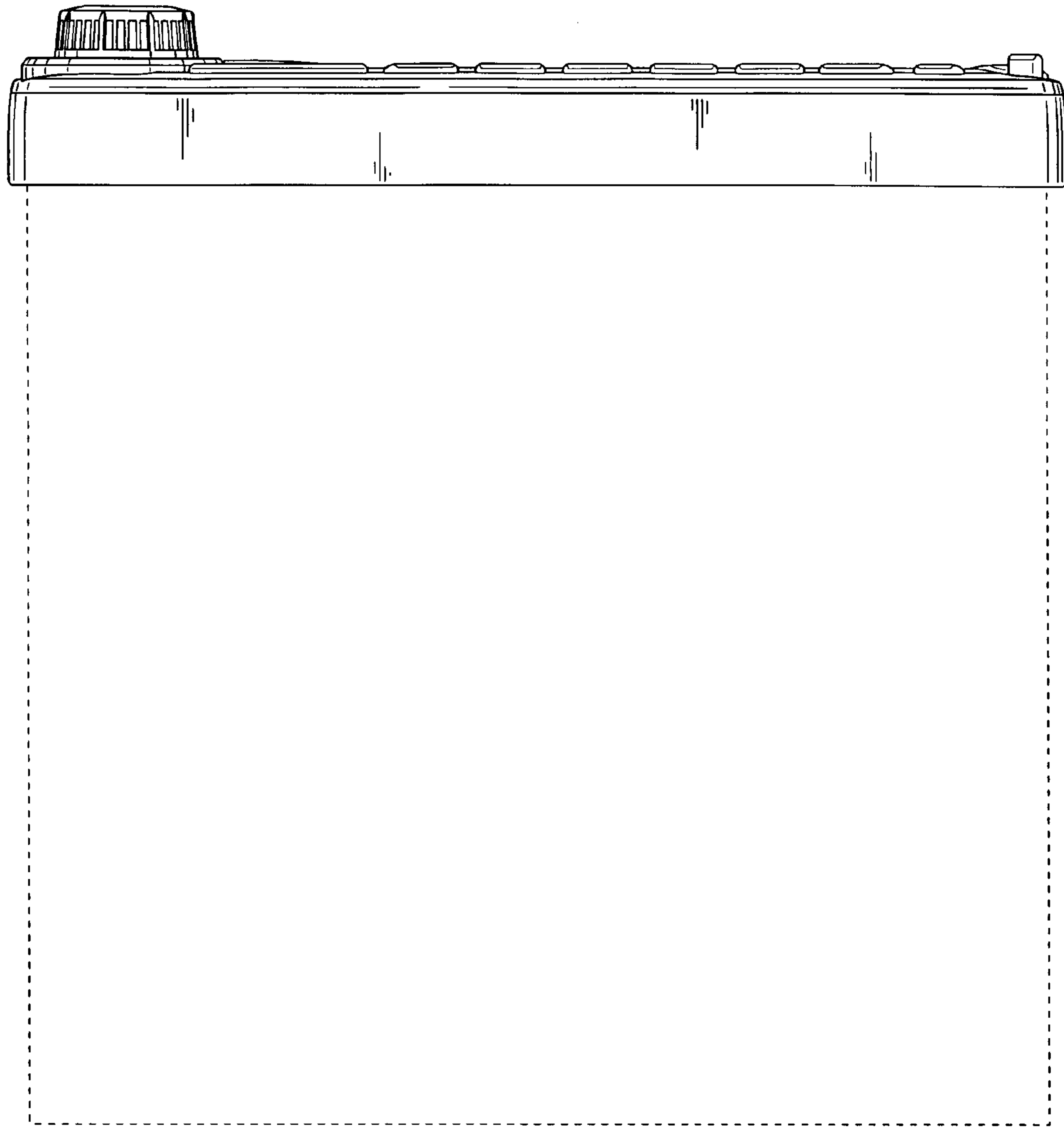


FIG. 5



*FIG. 6*



*FIG. 7*