

US00D567811S

(12) **United States Design Patent**
Quilling, II

(10) **Patent No.:** **US D567,811 S**

(45) **Date of Patent:** **** Apr. 29, 2008**

(54) **AUTO STEREO MOUNTING DEVICE**

(76) **Inventor:** **R. Spencer Quilling, II**, 2100 W.
Lemon, Deland, FL (US) 32720

(**) **Term:** **14 Years**

(21) **Appl. No.:** **29/272,706**

(22) **Filed:** **Feb. 15, 2007**

(51) **LOC (8) Cl.** **14-01**

(52) **U.S. Cl.** **D14/258; D14/224**

(58) **Field of Classification Search** D14/258,
D14/257, 224, 217, 198, 197, 188, 171, 170,
D14/168, 167, 164, 162, 161, 160, 157, 156,
D14/136, 135; 720/691, 658, 270; 455/344,
455/575.1; 396/434, 93; 386/1; 369/93,
369/75.1; 360/47, 4; 359/550, 258; 349/460,
349/159, 10

See application file for complete search history.

(56) **References Cited**

U.S. PATENT DOCUMENTS

D485,260 S *	1/2004	Quilling et al.	D14/224
D488,462 S *	4/2004	Quilling et al.	D14/224
D496,354 S *	9/2004	Quilling, II	D14/224
D501,852 S *	2/2005	Quilling, II	D14/258
D503,400 S *	3/2005	Quilling, II	D14/258
D503,401 S *	3/2005	Quilling, II	D14/258
D504,423 S *	4/2005	Quilling, II	D14/258
D507,791 S *	7/2005	Quilling, II	D14/224

D513,508 S *	1/2006	Quilling, II	D14/258
D517,061 S *	3/2006	Quilling, II	D14/258
D531,879 S *	11/2006	Quilling, II	D14/258
D545,815 S *	7/2007	Quilling, II et al.	D14/258
D555,645 S *	11/2007	Quilling, II	D14/258

* cited by examiner

Primary Examiner—Robert M. Spear

Assistant Examiner—Katrina A Kile

(74) *Attorney, Agent, or Firm*—John Loiley Horton

(57) **CLAIM**

The ornamental design for an “auto stereo mounting device”, as shown and described.

DESCRIPTION

FIG. 1 is a perspective view of an auto stereo mounting device, showing my design;

FIG. 2 is a front elevation view of FIG. 1;

FIG. 3 is a rear elevation view of FIG. 1;

FIG. 4 is a right side elevation view of FIG. 1;

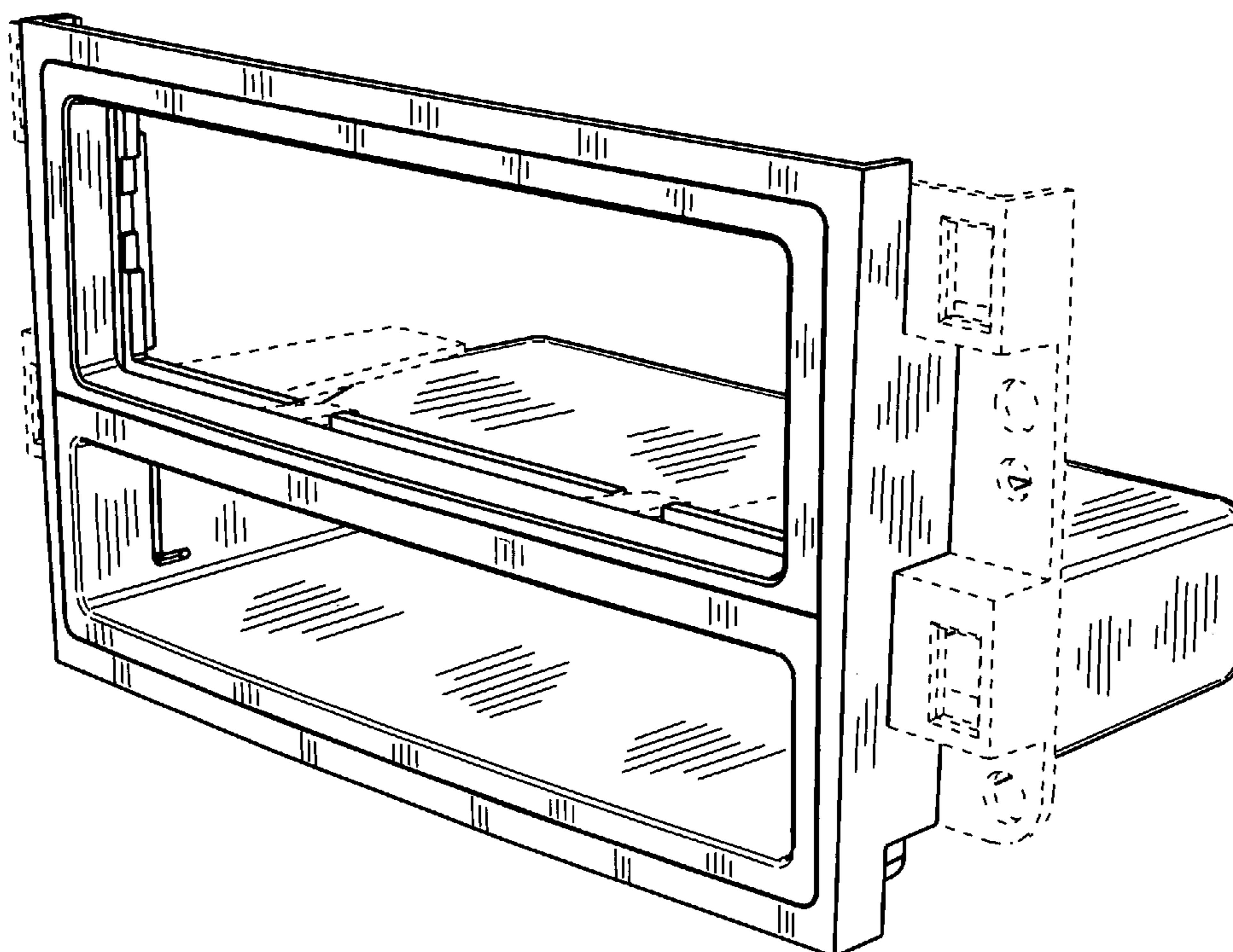
FIG. 5 is a left side elevation view of FIG. 1;

FIG. 6 is a top plan view of FIG. 1; and,

FIG. 7 is a bottom plan view of FIG. 1.

The broken lines shown in all views illustrate mounting features which form no part of the claimed design.

1 Claim, 7 Drawing Sheets



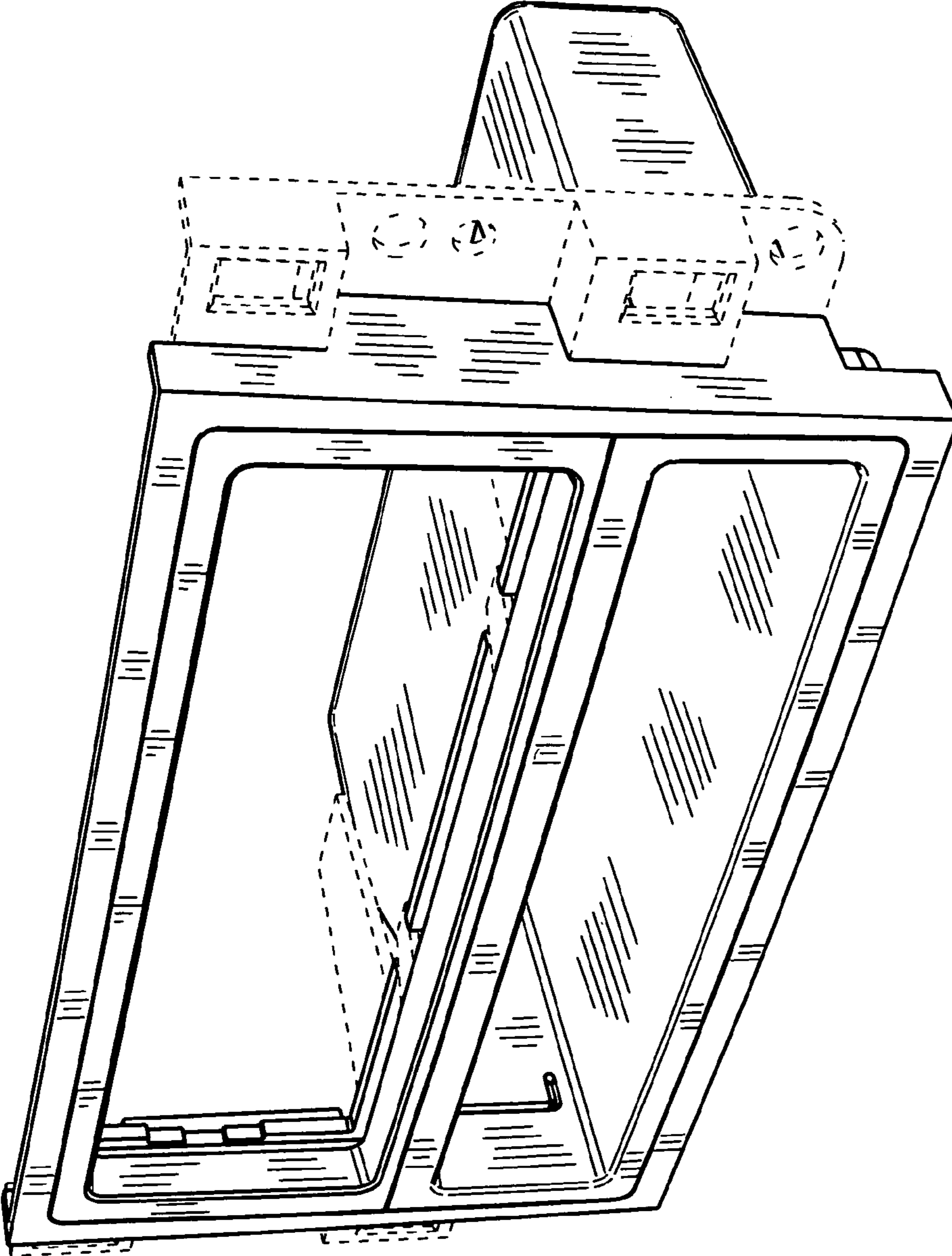


FIG. 1

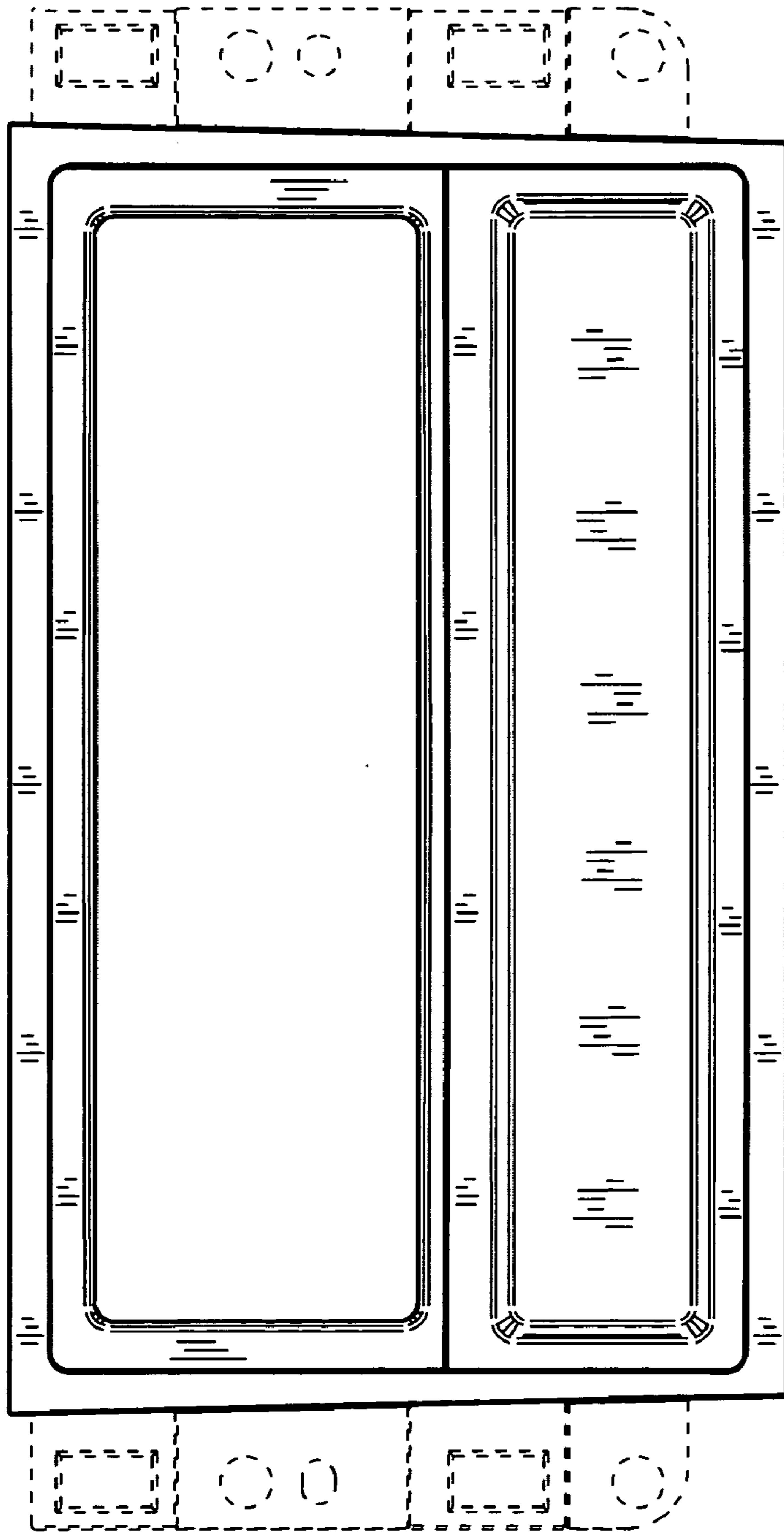


FIG. 2

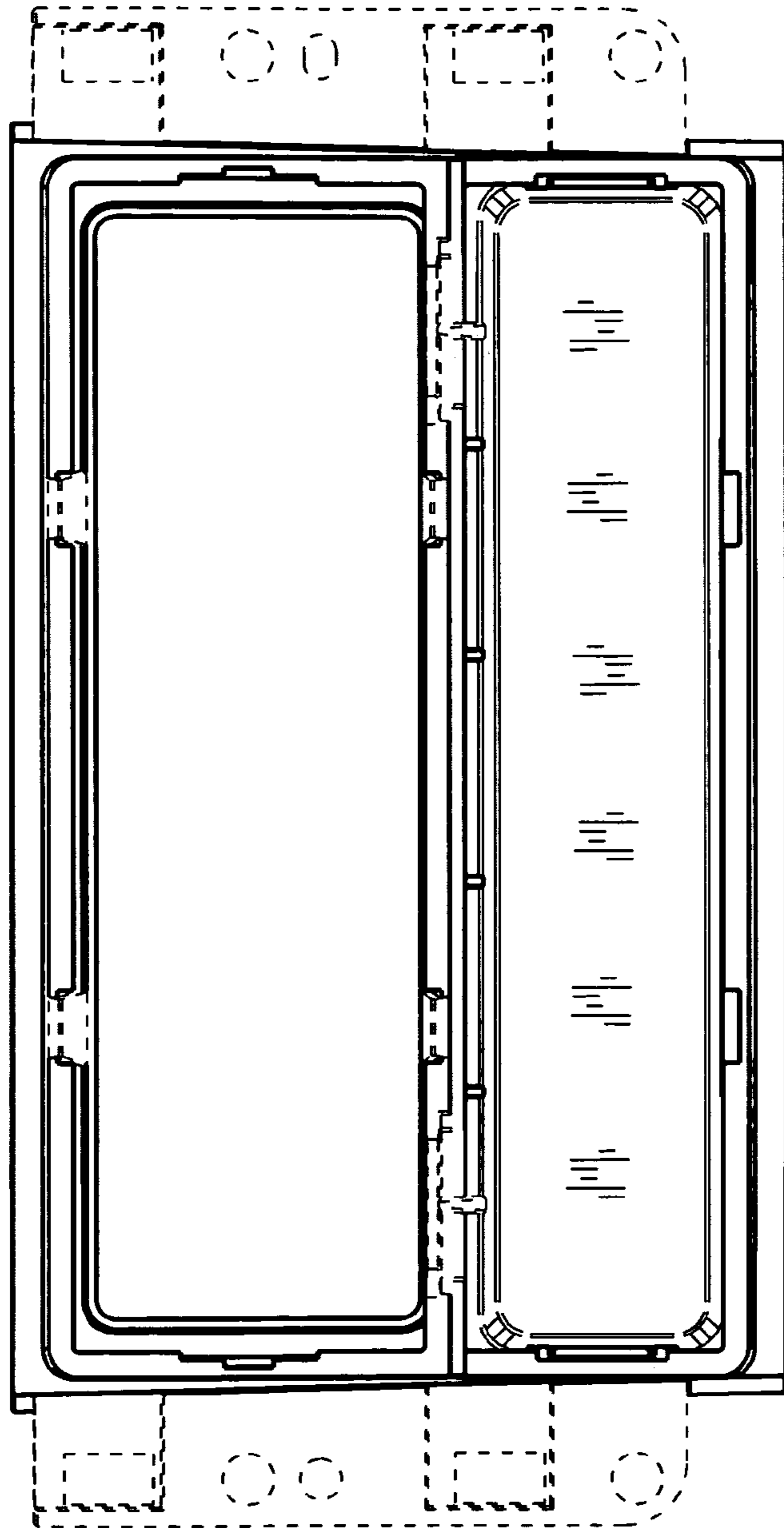


FIG. 3

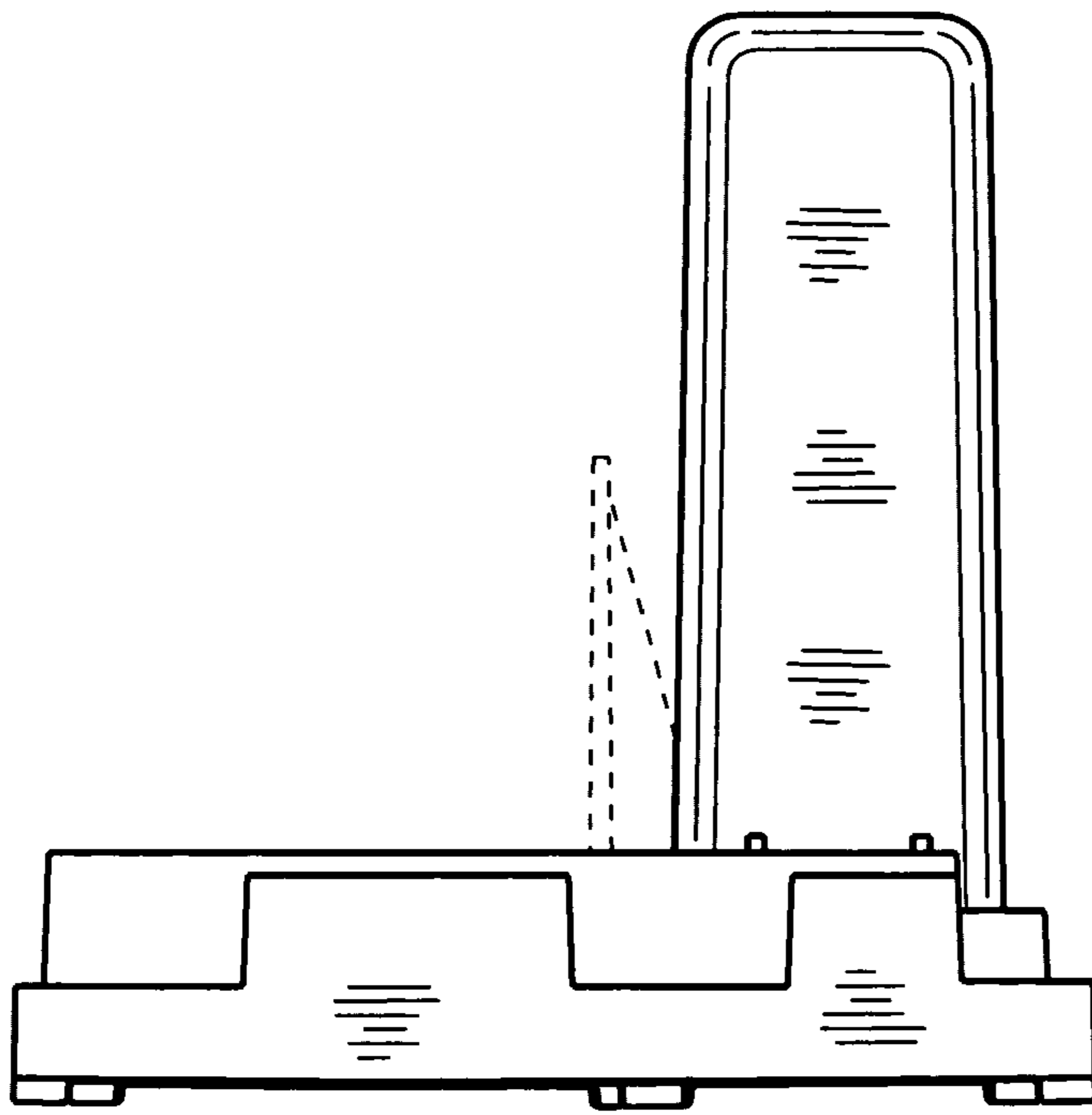


FIG. 4

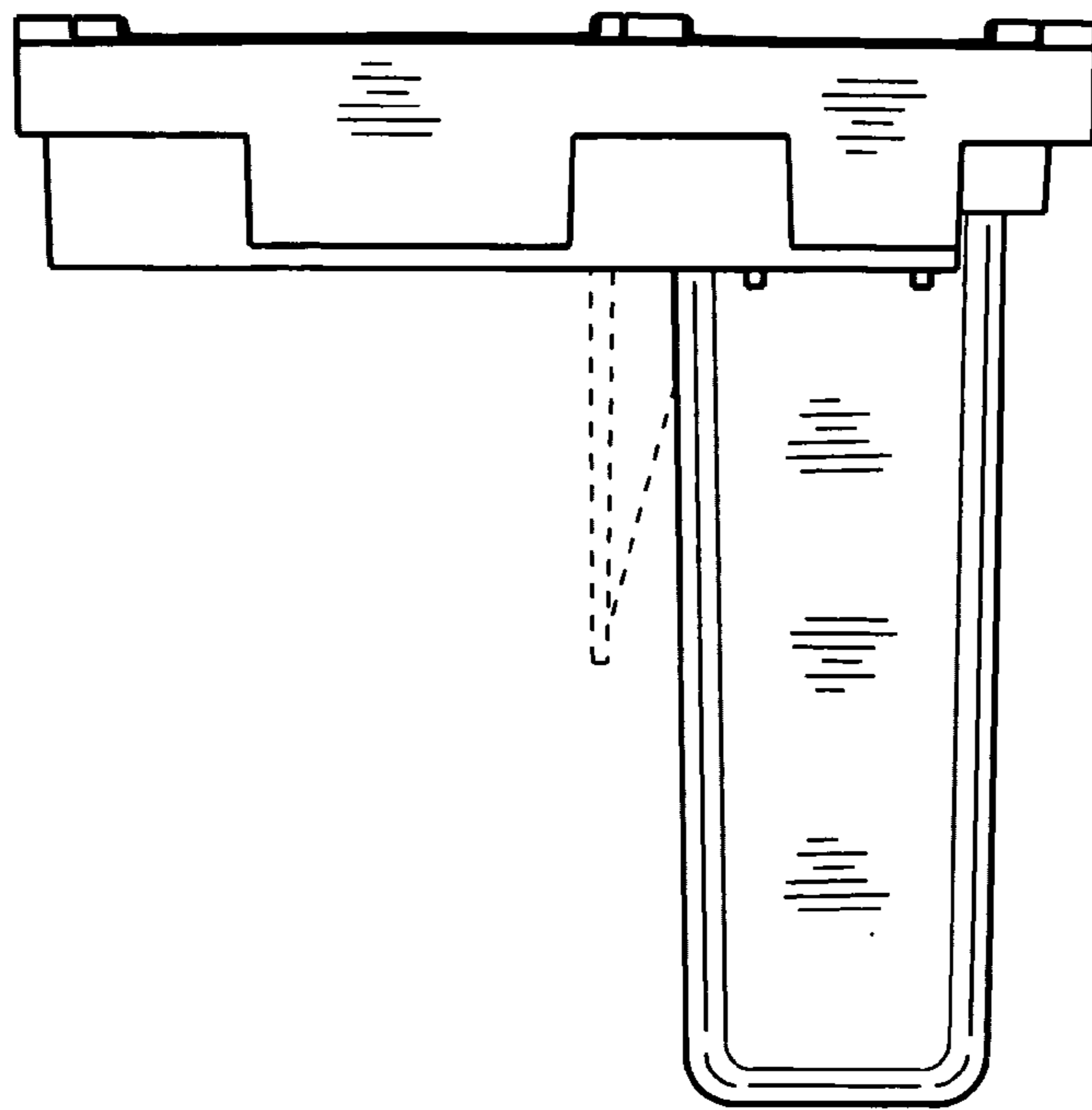


FIG. 5

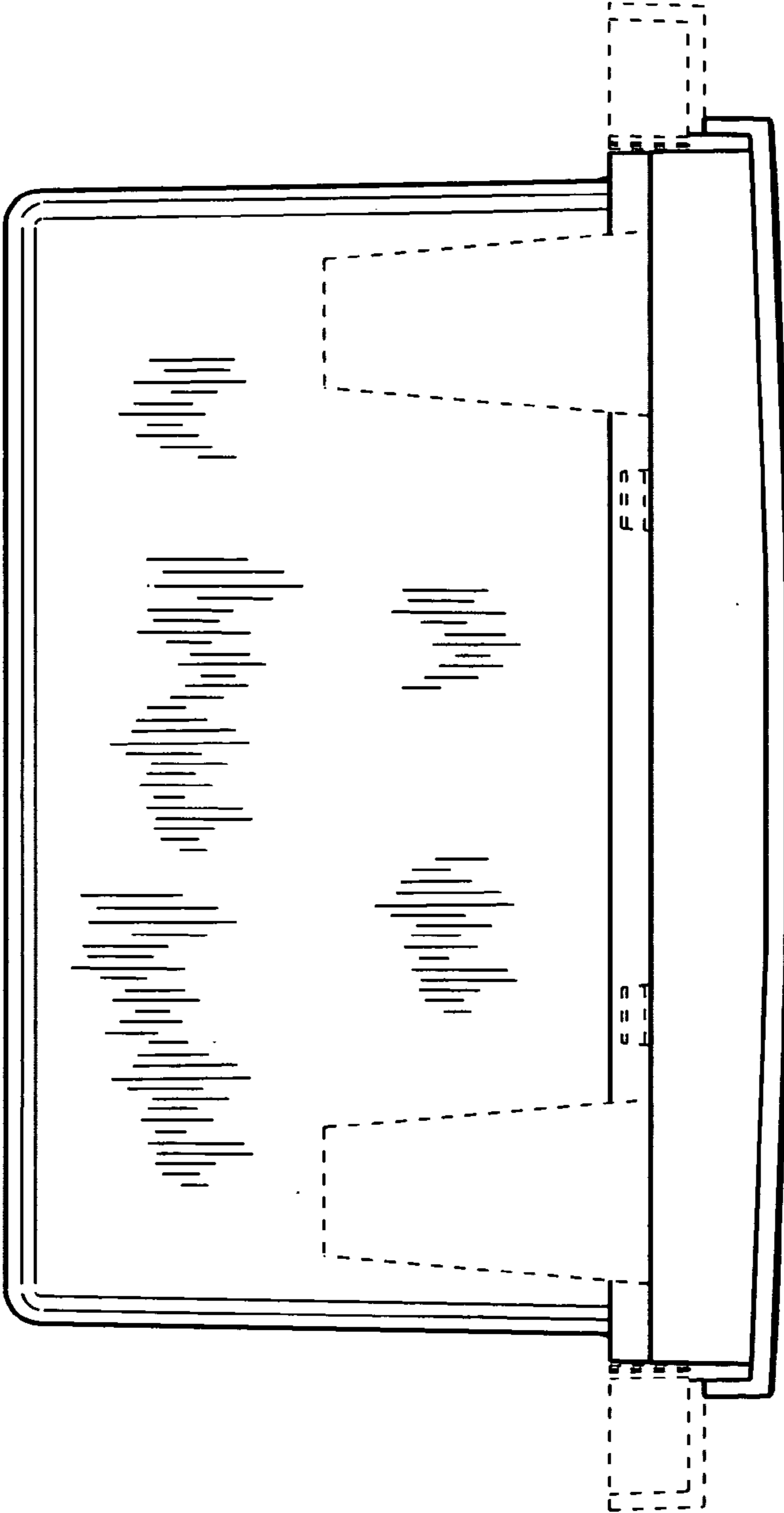


FIG. 6

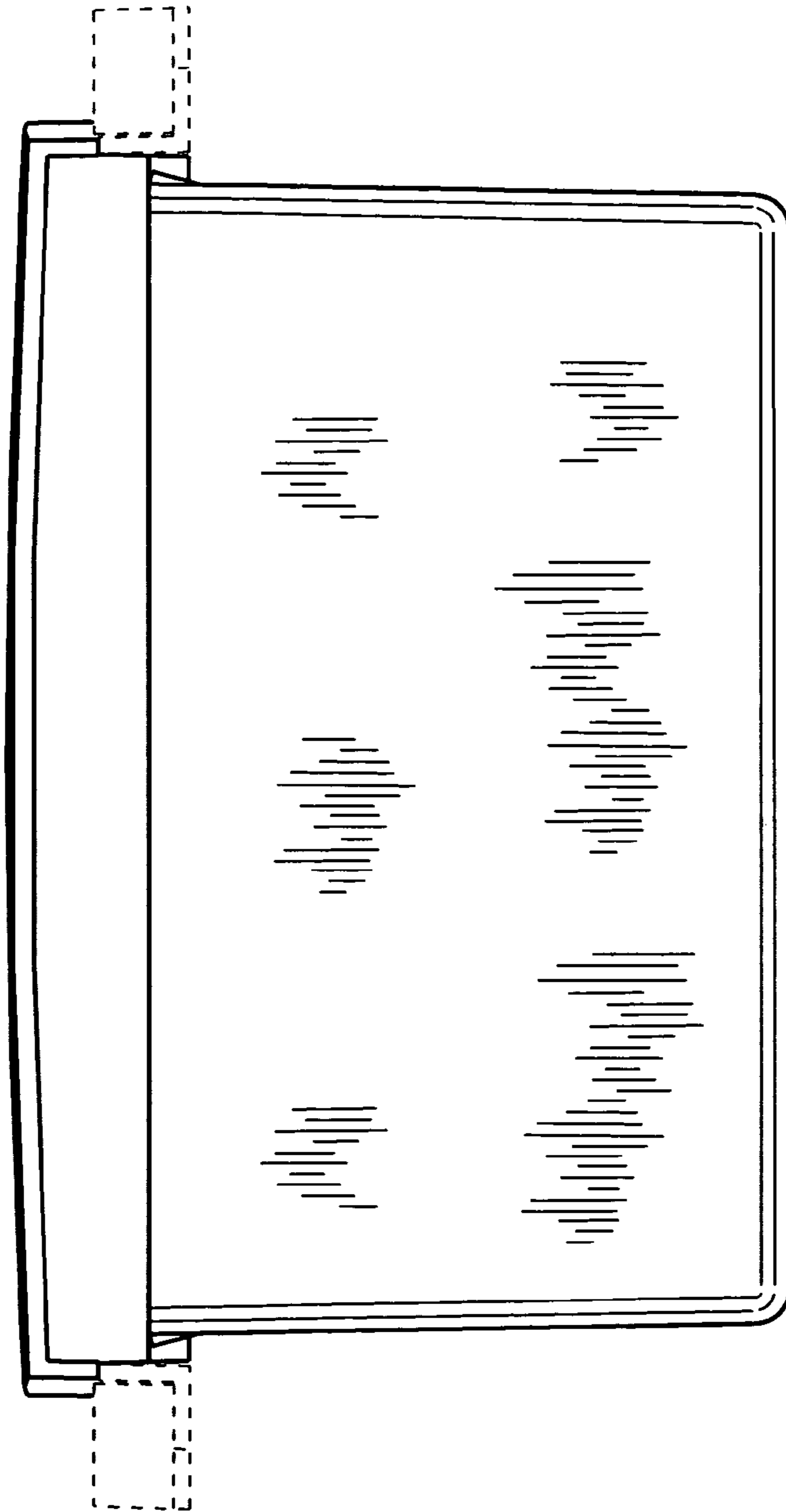


FIG. 7