



US00D567808S

(12) **United States Design Patent**  
**Kanne et al.**

(10) **Patent No.:** **US D567,808 S**

(45) **Date of Patent:** **\*\* Apr. 29, 2008**

(54) **HOUSING FOR NETWORK WIRELESS  
MODEM DEVICE**

D510,343 S \* 10/2005 Wallace et al. .... D14/240  
D541,791 S \* 5/2007 Shen ..... D14/240

(75) Inventors: **Mark M. Kanne**, Chandler, AZ (US);  
**Anthony D. Goen**, Scottsdale, AZ  
(US); **Tiffany S. Scott**, Gilbert, AZ  
(US); **Darren A. Burckhard**, San Jose,  
CA (US); **Chalz G. Kirubi**, Phoenix,  
AZ (US); **Victor Lazzaro**, Discovery  
Bay, CA (US); **Thomas A. Sollars**,  
Chandler, AZ (US)

\* cited by examiner

*Primary Examiner*—Charles A. Rademaker

(57) **CLAIM**

The ornamental design for housing for a network wireless  
modem device, as shown and described.

**DESCRIPTION**

FIG. 1 is a front, top and side perspective view of a a housing  
for a network wireless modem device showing our new  
design.

FIG. 2 is a front elevation thereof.

FIG. 3 is a right side elevation thereof.

FIG. 4 is a bottom plan view thereof.

FIG. 5 is a rear elevation thereof.

FIG. 6 is a top plan view thereof.

FIG. 7 is another front, top and side perspective view thereof  
showing both antenna members in extended positions.

FIG. 8 is a front, top and side perspective view of a modified  
embodiment of the design shown in FIGS. 1 through 7 with  
the side antenna members extended and a top central  
antenna in a stowed position; the unshown views being  
substantially the same.

FIG. 9 is another front, top and side perspective view  
showing the side antenna members in a stowed position with  
the central top antenna extended; and,

FIG. 10 is another front, top and side perspective view  
thereof with each antenna member extended.

The broken line portions in the drawings are included for the  
purpose of illustrating environmental structures and form no  
part of the claimed design.

(73) Assignee: **Motorola, Inc.**, Schaumburg, IL (US)

(\*\*) Term: **14 Years**

(21) Appl. No.: **29/248,337**

(22) Filed: **Aug. 10, 2006**

(51) **LOC (8) Cl.** ..... **14-03**

(52) **U.S. Cl.** ..... **D14/240**

(58) **Field of Classification Search** ..... D14/240,  
D14/339, 358, 256, 353, 299, 300, 242; D13/184,  
D13/123, 199, 101, 165; 379/433.01–433.13,  
379/434, 419, 413.04; 220/4.02; 385/16–18,  
385/92

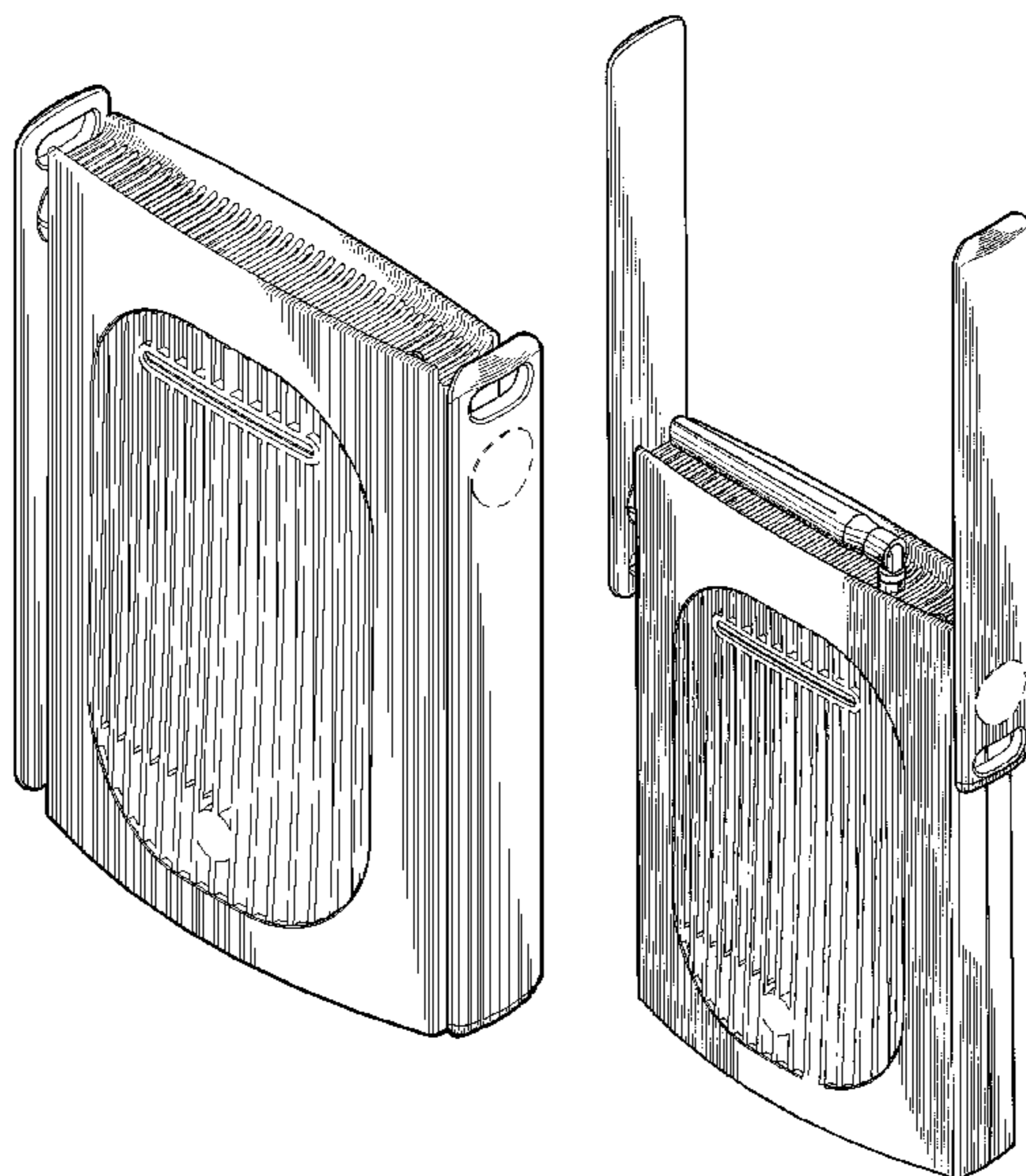
See application file for complete search history.

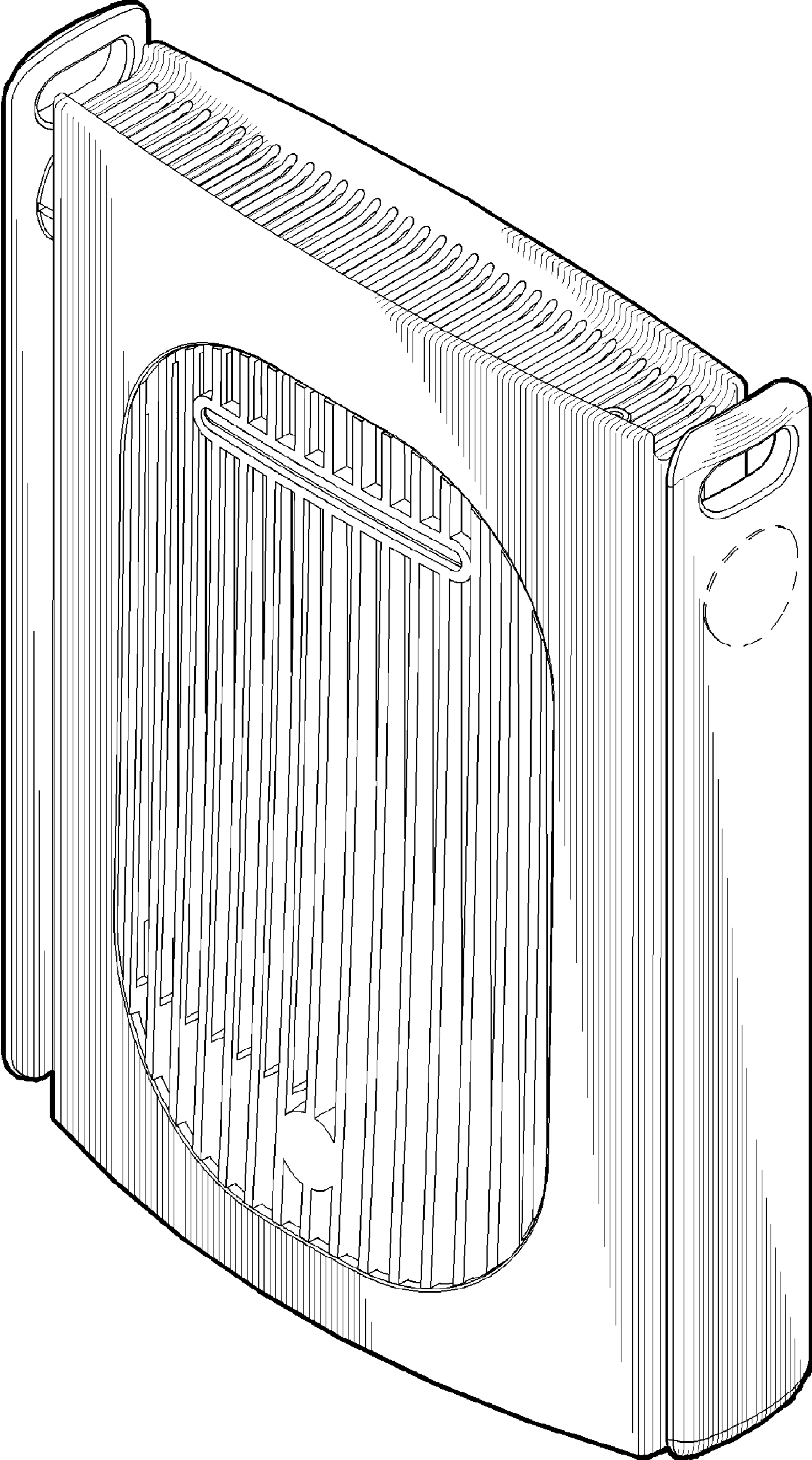
(56) **References Cited**

**U.S. PATENT DOCUMENTS**

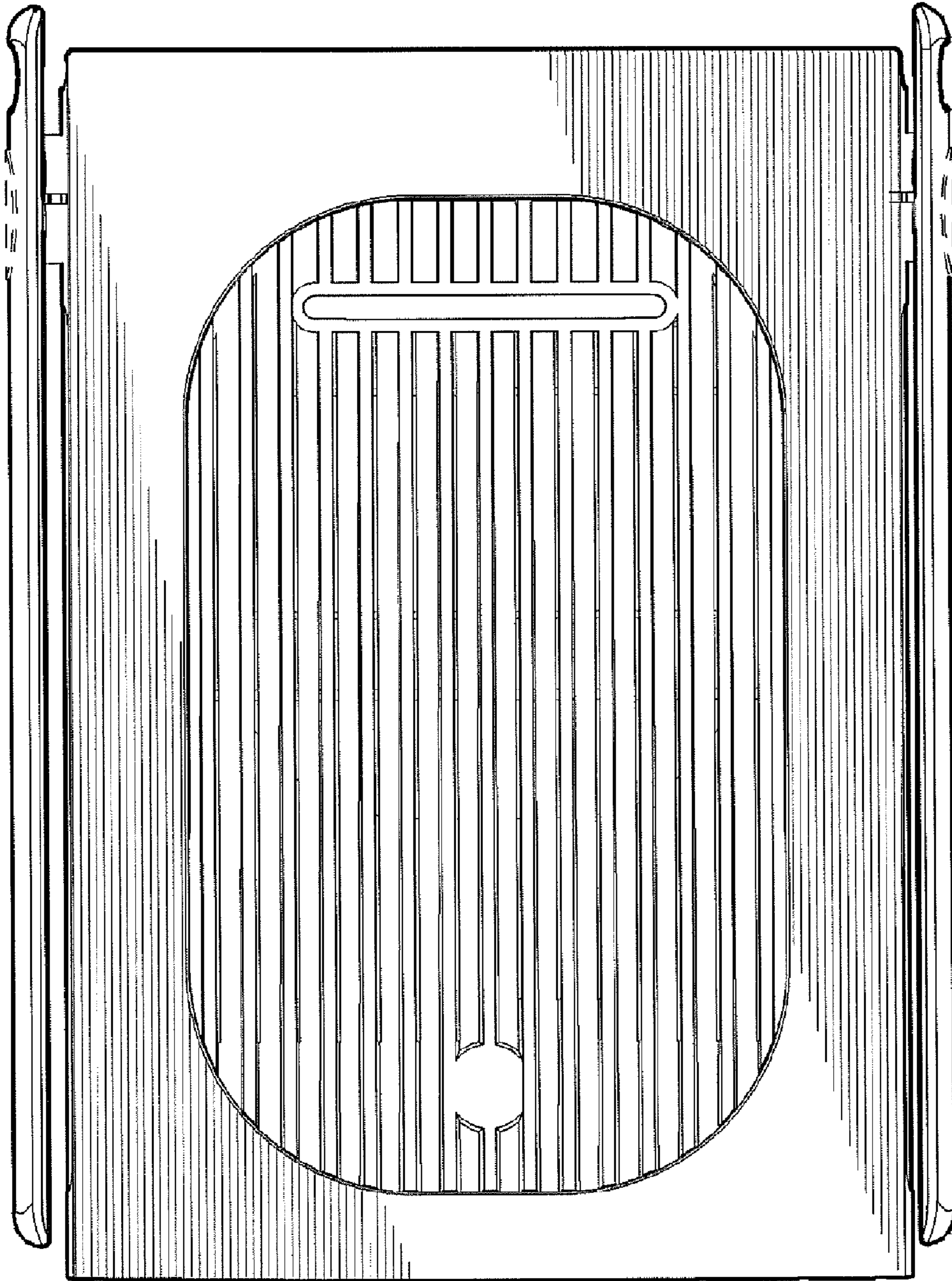
D381,647 S *	7/1997	Terng	.....	D14/358
D429,238 S *	8/2000	Kolinen	.....	D14/240
D437,592 S *	2/2001	DeLeon	.....	D14/242
D461,181 S *	8/2002	Ko	.....	D14/242
D464,959 S *	10/2002	Do et al.	.....	D14/242
D480,716 S *	10/2003	Saikawa et al.	.....	D14/242
D484,496 S *	12/2003	Watanabe	.....	D14/240
D488,150 S *	4/2004	Chen et al.	.....	D14/242
D489,041 S *	4/2004	Chen et al.	.....	D13/184
D489,369 S *	5/2004	Sasaki	.....	D14/358

**1 Claim, 8 Drawing Sheets**

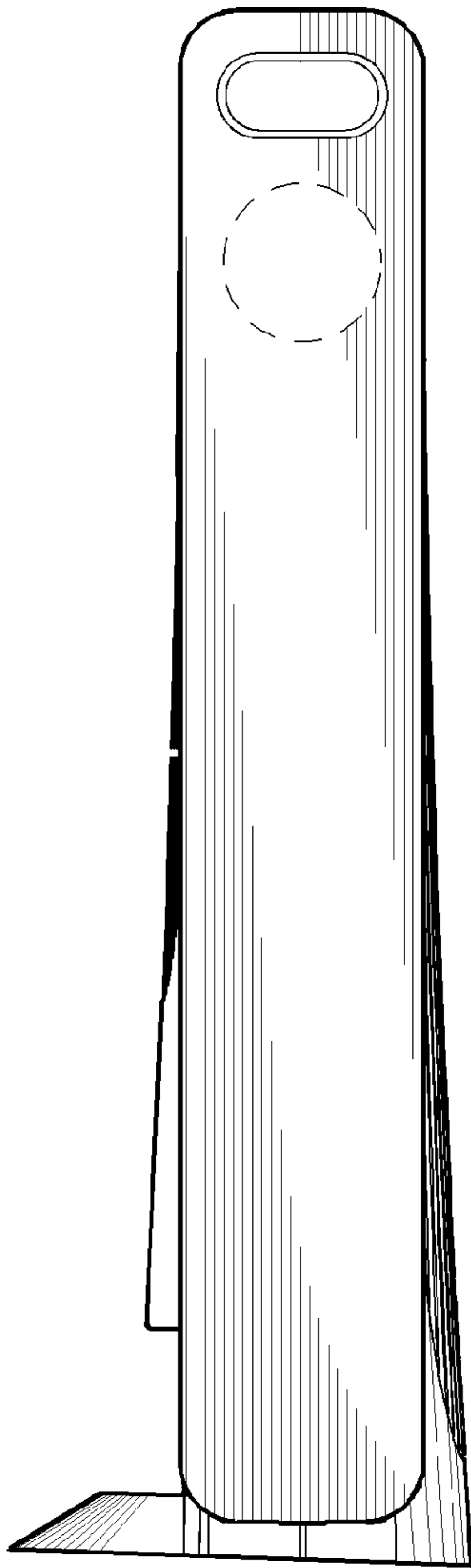




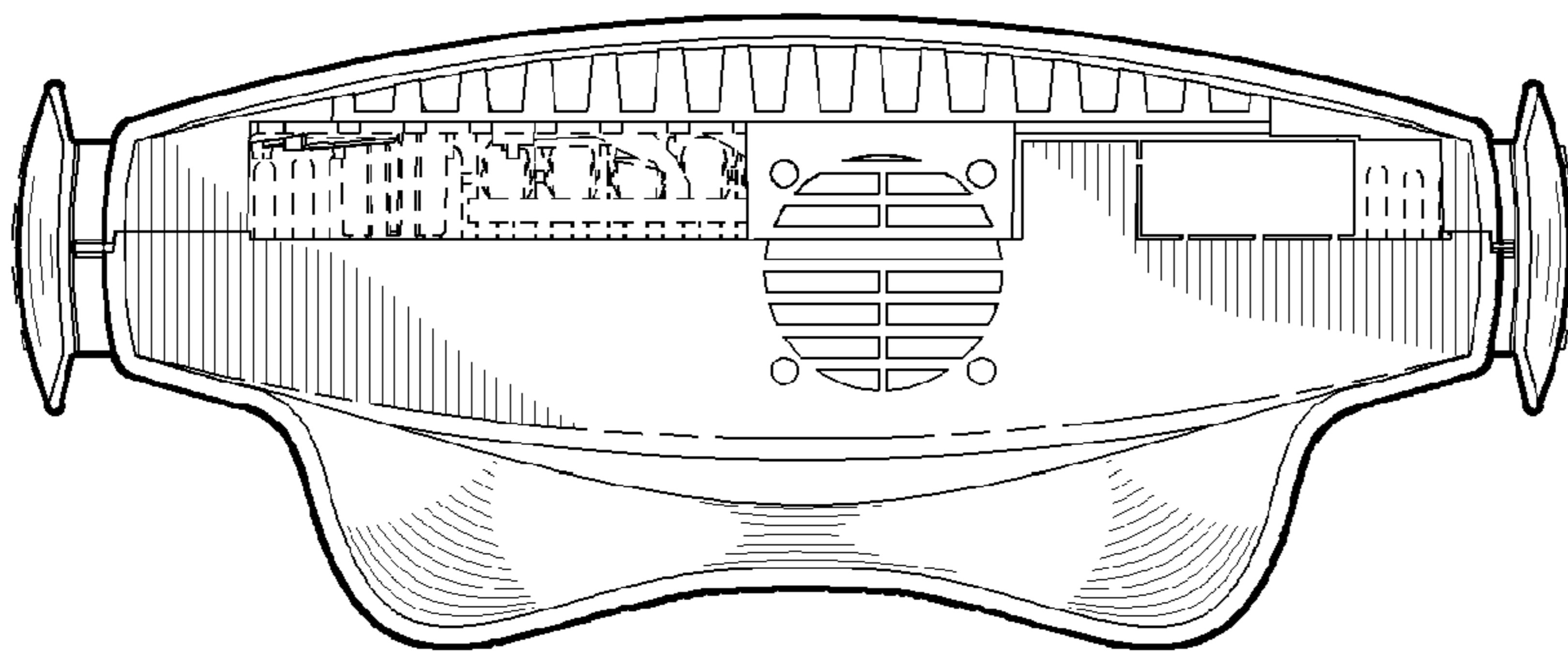
*FIG. 1*



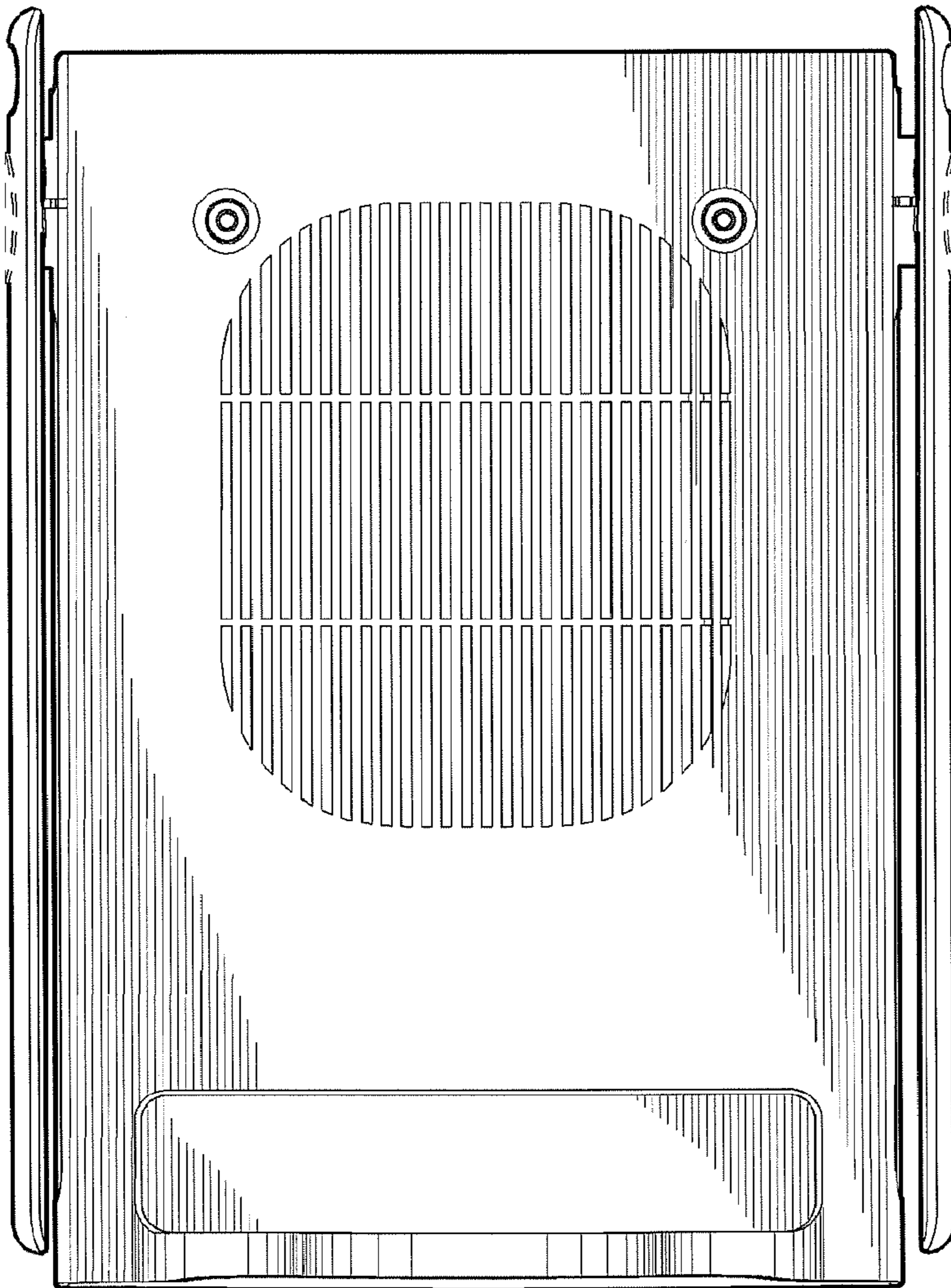
*FIG. 2*



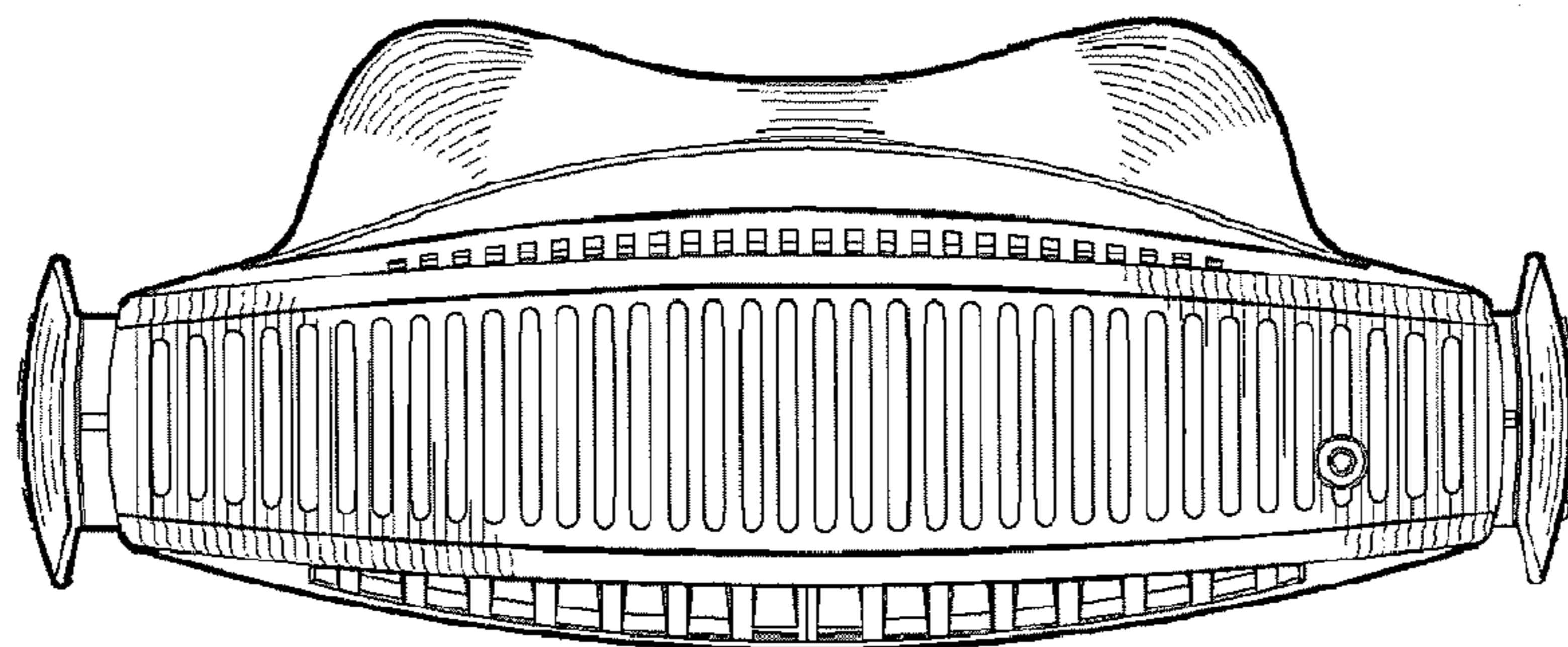
*FIG. 3*



*FIG. 4*



*FIG. 5*



*FIG. 6*

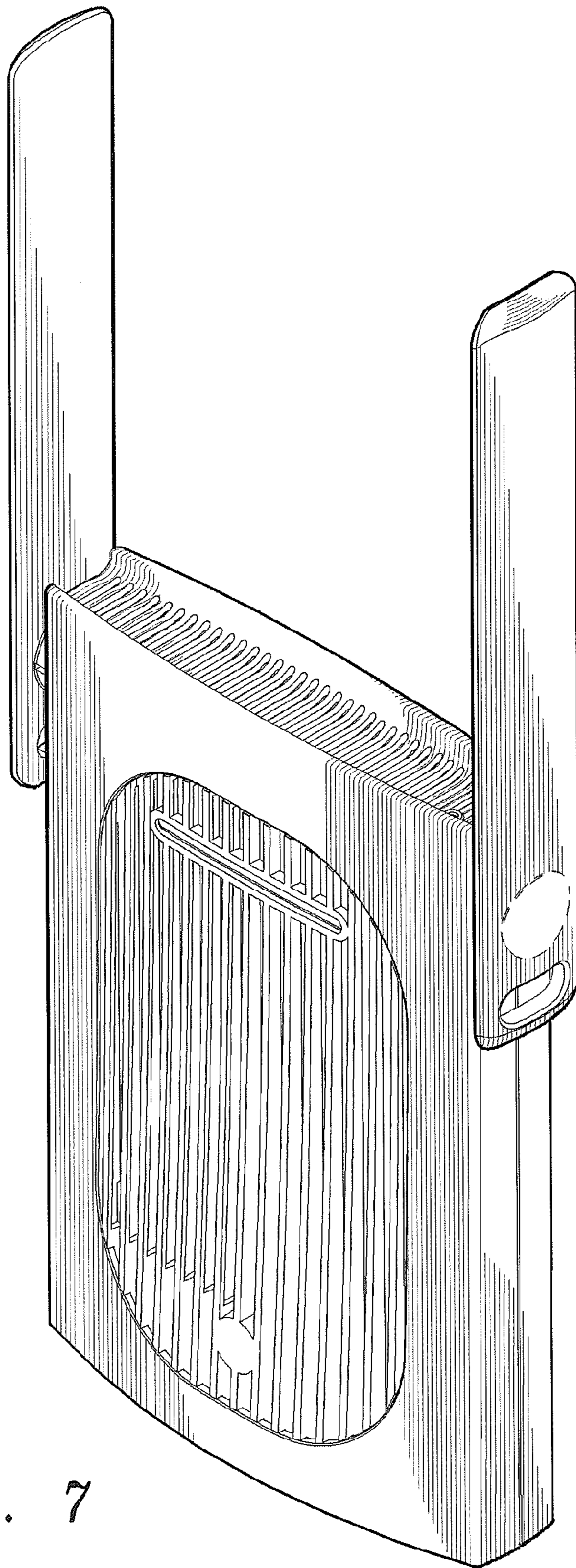
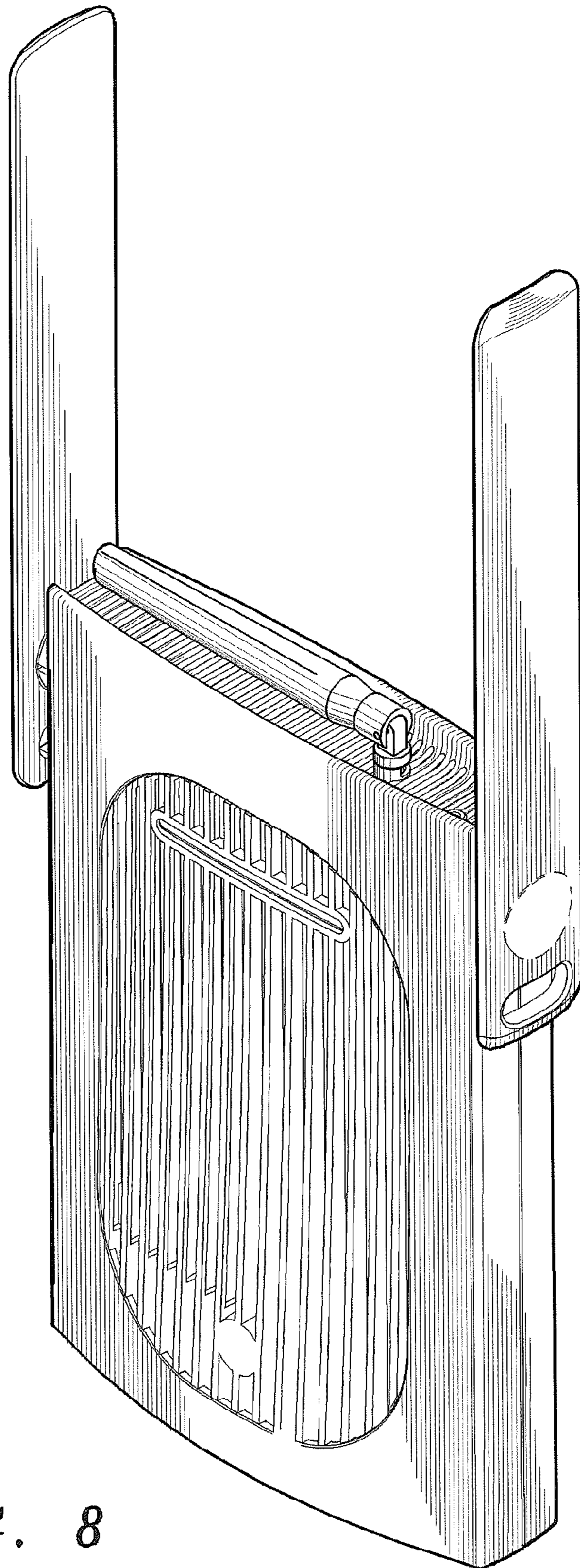
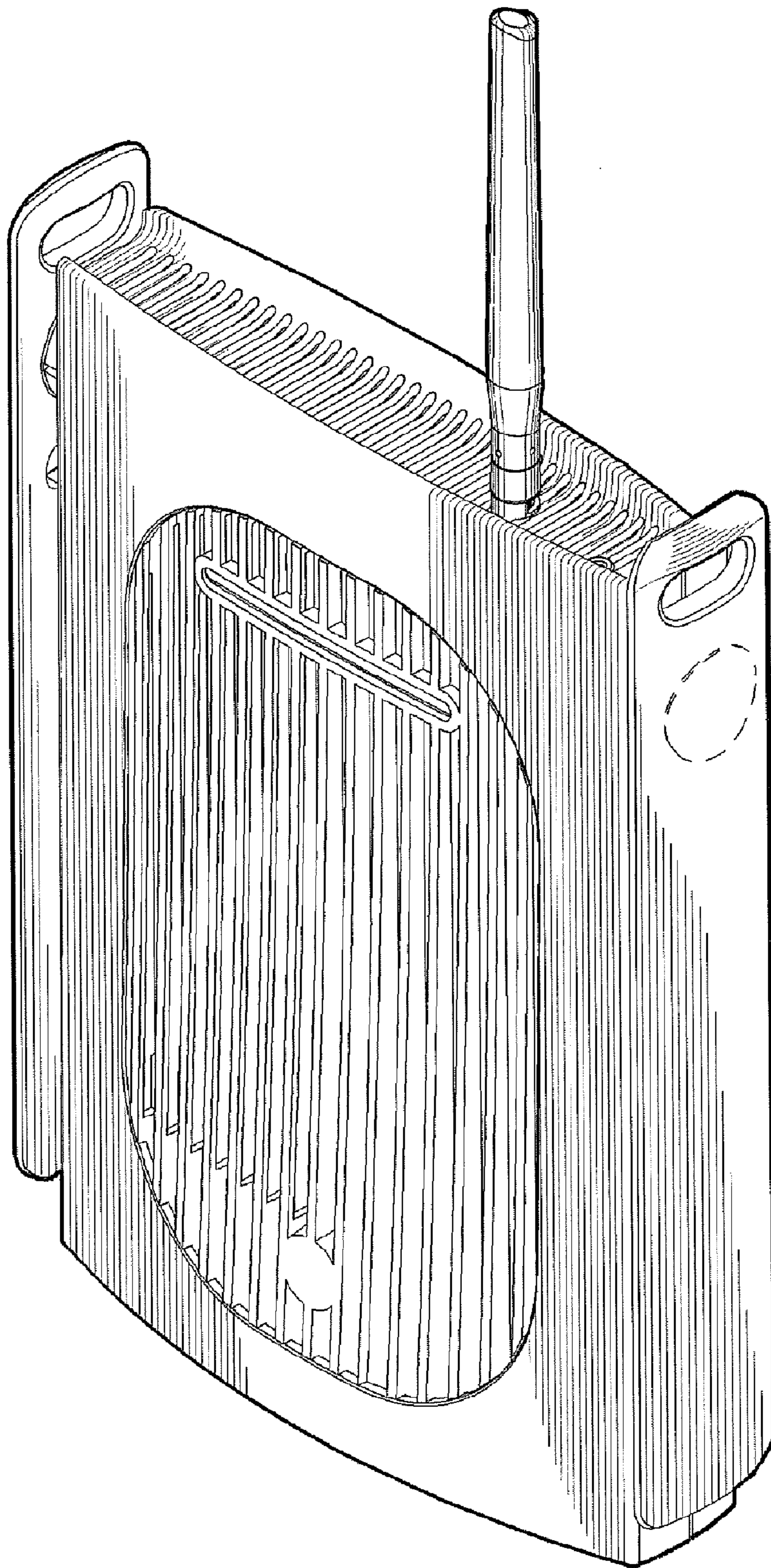


FIG. 7

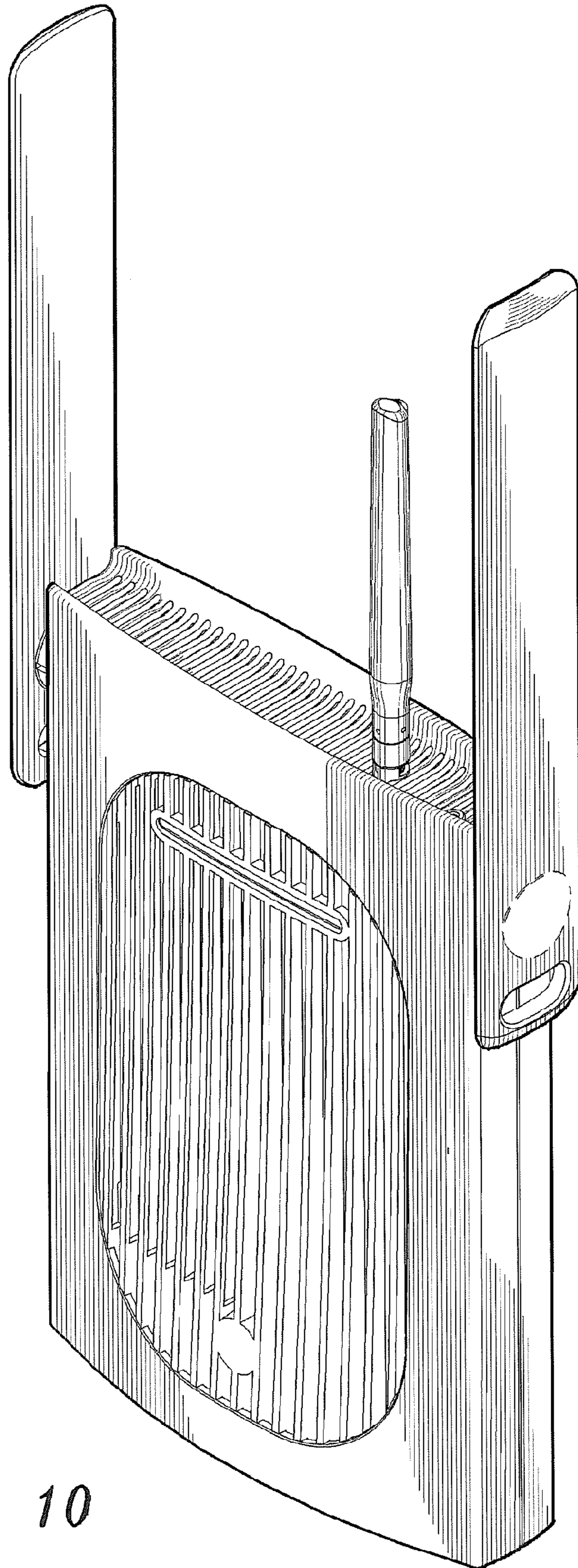


*FIG. 8*



*FIG. 9*





*FIG. 10*