



US00D567806S

(12) **United States Design Patent**
Viduya et al.

(10) **Patent No.:** **US D567,806 S**
(45) **Date of Patent:** **** Apr. 29, 2008**

(54) **HEADSET**

(75) Inventors: **Andres Viduya**, Cranberry Township, PA (US); **Graham Lacy**, London (GB); **Phillip Shade**, London (GB)

(73) Assignee: **Vocollect, Inc.**, Pittsburgh, PA (US)

(**) Term: **14 Years**

(21) Appl. No.: **29/282,690**

(22) Filed: **Jul. 26, 2007**

Related U.S. Application Data

(62) Division of application No. 29/242,817, filed on Nov. 15, 2005, now Pat. No. Des. 549,694.

(51) **LOC (8) Cl.** **14-01**

(52) **U.S. Cl.** **D14/223**

(58) **Field of Classification Search** D14/205, D14/206, 223, 240; 379/430, 419, 370, 440; 455/575.2; D13/133, 146, 152, 156, 158; 381/74, 371, 373, 375, 378; 2/209; 220/3.3, 220/3.8; 174/535, 563
See application file for complete search history.

(56) **References Cited**

U.S. PATENT DOCUMENTS

- 1,483,315 A 2/1924 Seal
- D130,619 S 12/1941 Tresie et al.
- D153,112 S 3/1949 Braun et al.
- 2,506,524 A 5/1950 Stuck
- 2,958,769 A 11/1960 Bounds
- 3,087,028 A 4/1963 Bonnin
- D196,654 S 10/1963 Van Den Berg
- D206,122 S * 11/1966 Bradbury et al. D13/158
- D206,665 S 1/1967 Sanzone
- D212,863 S 12/1968 Roberts
- D215,545 S * 10/1969 Huska D13/133
- 3,654,406 A 4/1972 Reinthaler
- 3,682,268 A 8/1972 Gorike
- 3,873,757 A * 3/1975 Berke et al. 174/563
- 3,969,796 A 7/1976 Hodsdon et al.

- 3,971,900 A 7/1976 Foley
- 3,971,901 A 7/1976 Foley
- 3,984,885 A 10/1976 Yoshimura et al.
- 4,024,368 A 5/1977 Shattuck
- 4,031,295 A 6/1977 Rigazio
- 4,039,765 A 8/1977 Tichy et al.
- 4,138,598 A 2/1979 Cech
- 4,189,788 A 2/1980 Schenke et al.
- RE30,662 E 6/1981 Foley

(Continued)

OTHER PUBLICATIONS

Vocollect Speech Recognition Headsets brochure—Clarity and comfort. Reliable performance. Copyright Sep. 2005.

(Continued)

Primary Examiner—Paula A. Greene

(74) *Attorney, Agent, or Firm*—Wood, Herron & Evans, LLP

(57)

CLAIM

The ornamental design for a headset, as shown and described.

DESCRIPTION

FIG. 1 is a front perspective view of a headset showing our new design;

FIG. 2 is a front elevational view relative to FIG. 1;

FIG. 3 is a right side elevational view relative to FIG. 1;

FIG. 4 is a rear elevational view relative to FIG. 1;

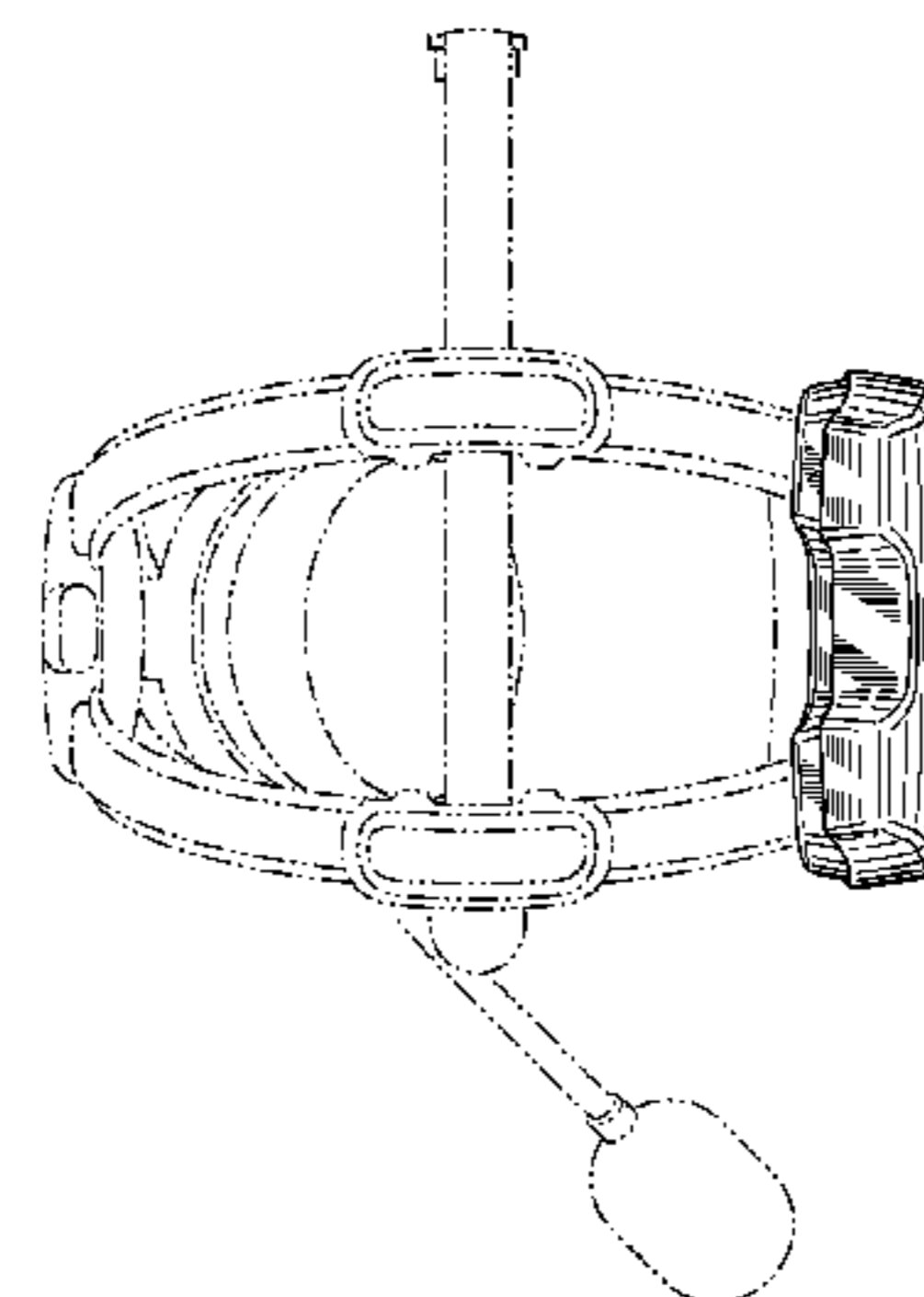
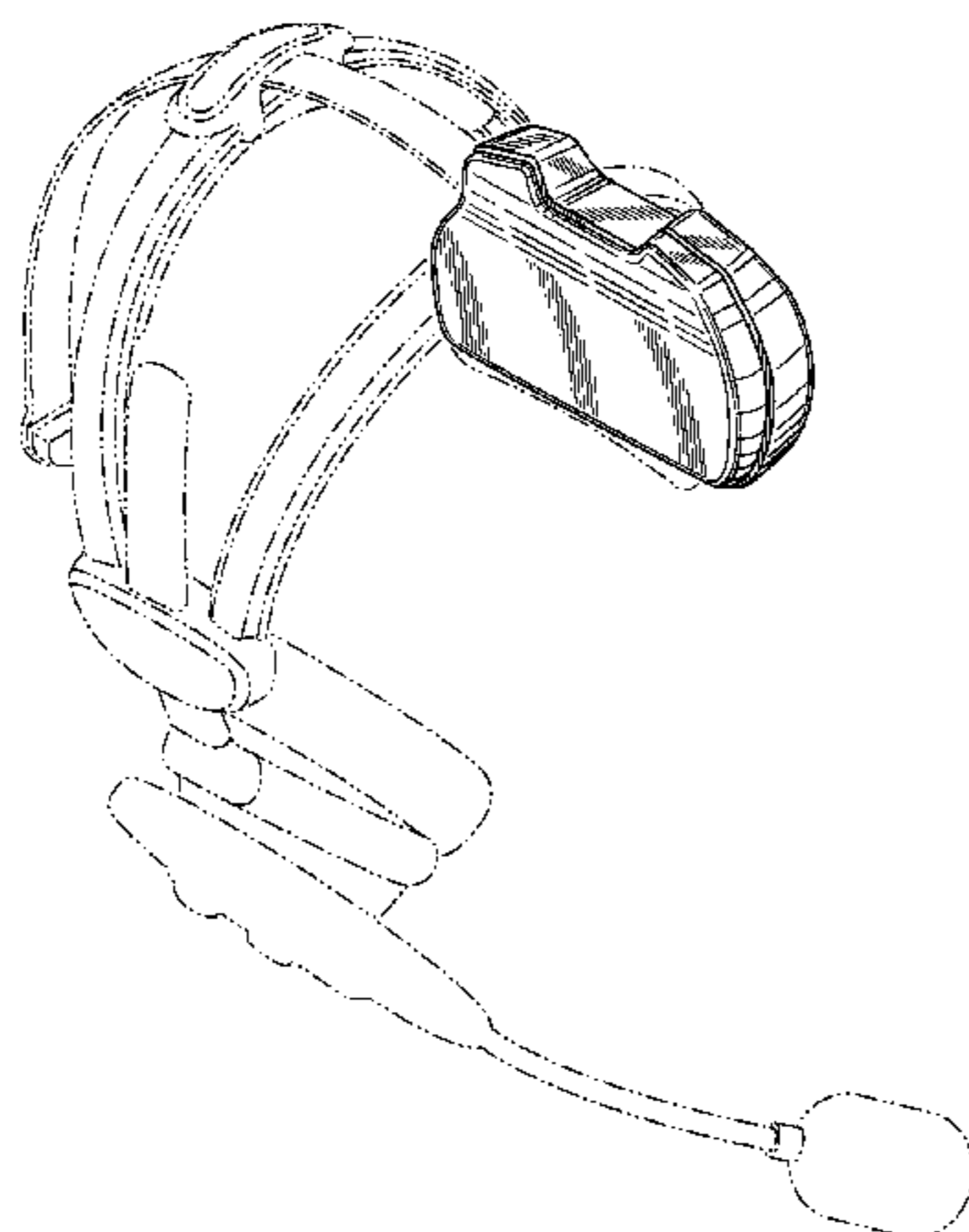
FIG. 5 is a left side elevational view relative to FIG. 1;

FIG. 6 is a top view relative to FIG. 1; and,

FIG. 7 is a bottom view relative to FIG. 1.

The broken lines are for illustrative purposes only, and form no part of the claimed design.

1 Claim, 7 Drawing Sheets



US D567,806 S

Page 2

U.S. PATENT DOCUMENTS						
			5,716,730	A	2/1998	Deguchi
			5,719,743	A	2/1998	Jenkins et al.
			5,719,744	A	2/1998	Jenkins et al.
			D394,436	S	5/1998	Hall et al.
			5,757,339	A	5/1998	Williams et al.
			5,762,512	A	6/1998	Trant et al.
			5,766,794	A	6/1998	Brunette et al.
			5,774,096	A	6/1998	Usuki et al.
			5,781,644	A	7/1998	Chang
			5,787,361	A	7/1998	Chen
			5,793,878	A	8/1998	Chang
			D398,899	S	9/1998	Chaco
			D400,848	S	11/1998	Clark et al.
			5,832,098	A	11/1998	Chen
			5,841,630	A	11/1998	Seto et al.
			5,841,859	A	11/1998	Chen
			5,844,824	A	12/1998	Newman et al.
			5,856,038	A	1/1999	Mason
			5,857,148	A	1/1999	Weissshappel et al.
			5,862,241	A	1/1999	Nelson
			D406,098	S	2/1999	Walter et al.
			5,869,204	A	2/1999	Kottke et al.
			5,873,070	A	2/1999	Bunte et al.
			5,890,074	A	3/1999	Rydbeck
			5,895,729	A	4/1999	Phelps, III et al.
			D409,137	S	5/1999	Sumita et al.
			5,905,632	A	5/1999	Seto et al.
			D410,466	S	6/1999	Mouri
			D410,921	S	6/1999	Luchs et al.
			D411,179	S	6/1999	Toyosato
			5,931,513	A	8/1999	Conti
			5,933,330	A	8/1999	Beutler et al.
			5,935,729	A	8/1999	Mareno et al.
			D413,582	S	9/1999	Tompkins
			D414,470	S	9/1999	Chacon et al.
			5,991,085	A	11/1999	Rallison
			5,999,085	A	12/1999	Szwarc et al.
			6,016,347	A	1/2000	Magnasco et al.
			6,021,207	A	2/2000	Puthuff et al.
			D422,962	S	4/2000	Shevlin et al.
			6,051,334	A	4/2000	Tsurumaru et al.
			D424,035	S	5/2000	Steiner et al.
			6,060,193	A	5/2000	Remes et al.
			6,071,640	A	6/2000	Robertson, Jr. et al.
			6,075,857	A	6/2000	Doss, Jr.
			6,078,825	A	6/2000	Hahn et al.
			6,084,556	A	7/2000	Zwern
			6,085,428	A	7/2000	Casby
			6,091,546	A	7/2000	Spitzer
			D430,158	S	8/2000	Bhatia et al.
			D430,159	S	8/2000	Bhatia et al.
			6,101,260	A	8/2000	Jensen et al.
			6,114,625	A	9/2000	Hughes et al.
			6,120,932	A	9/2000	Slipy et al.
			D431,562	S	10/2000	Bhatia et al.
			6,127,990	A	10/2000	Zwern
			6,136,467	A	10/2000	Phelps, III et al.
			6,137,868	A	10/2000	Leach
			6,137,879	A	10/2000	Papadopoulos
			6,154,669	A	11/2000	Hunter
			D434,762	S	12/2000	Ikenaga
			6,157,533	A	12/2000	Sallam et al.
			6,160,702	A	12/2000	Lee et al.
			6,167,413	A	12/2000	Daley, III
			D436,104	S	1/2001	Bhatia et al.
			6,171,138	B1	1/2001	Lefebvre et al.
			6,179,192	B1	1/2001	Weinger et al.
			6,188,985	B1	2/2001	Thrift et al.
			6,190,795	B1	2/2001	Daley
			D440,966	S	4/2001	Ronzani
			6,225,777	B1	5/2001	Garcia et al.
			6,226,622	B1	5/2001	Dabbiere
			6,229,694	B1	5/2001	Kono
4,302,635	A	11/1981	Jacobsen et al.			
D265,989	S	8/1982	Harris et al.			
D268,675	S	4/1983	Hass			
4,418,248	A	11/1983	Mathis			
4,471,496	A	9/1984	Gardner, Jr. et al.			
4,472,607	A	9/1984	Houng			
4,499,593	A	2/1985	Antle			
4,634,816	A	1/1987	O'Malley			
4,672,672	A	6/1987	Eggert et al.			
4,689,822	A	8/1987	Houng			
D299,129	S	12/1988	Wiegel			
4,821,318	A	4/1989	Wu			
D301,145	S	5/1989	Besasia et al.			
4,845,650	A	7/1989	Meade et al.			
4,875,233	A	10/1989	Derhaag			
4,907,266	A	3/1990	Chen			
4,952,024	A	8/1990	Gale			
D313,092	S	12/1990	Nilsson			
5,003,589	A	3/1991	Chen			
5,018,599	A	5/1991	Dohi			
5,023,824	A	6/1991	Chadima, Jr. et al.			
D318,670	S	7/1991	Taniguchi			
5,028,083	A	7/1991	Mischenko			
5,056,161	A	10/1991	Breen			
D321,879	S	11/1991	Emmerling			
D326,655	S	6/1992	Iribe			
5,155,659	A	10/1992	Kunert			
5,177,784	A	1/1993	Hu et al.			
5,179,736	A	1/1993	Scanlon			
D334,043	S	3/1993	Taniguchi			
5,197,332	A	3/1993	Shennib			
5,202,197	A	4/1993	Ansell et al.			
5,225,293	A	7/1993	Mitchell et al.			
5,251,105	A	10/1993	Kobayashi et al.			
D341,567	S	11/1993	Acker et al.			
5,267,181	A	11/1993	George			
5,281,957	A	1/1994	Schoolman			
D344,494	S	2/1994	Cardenas			
D344,522	S	2/1994	Taniguchi			
5,305,244	A	4/1994	Newman et al.			
5,369,857	A	12/1994	Sacherman et al.			
5,371,679	A	12/1994	Abe et al.			
5,381,486	A	1/1995	Ludeke			
5,406,037	A	4/1995	Nageno et al.			
5,438,626	A	8/1995	Neuman et al.			
5,446,788	A	8/1995	Lucey			
5,469,505	A	11/1995	Gathey			
5,479,001	A	12/1995	Kumar			
D367,256	S	2/1996	Tokunaga			
5,491,651	A	2/1996	Janik			
5,501,571	A	3/1996	Van Durrett et al.			
5,515,303	A	5/1996	Cargin, Jr. et al.			
5,535,437	A	7/1996	Karl et al.			
5,553,312	A	9/1996	Gathey			
5,555,490	A	9/1996	Carroll			
5,555,554	A	9/1996	Hofer			
5,572,401	A	11/1996	Carroll			
5,579,400	A	11/1996	Ballein			
D376,598	S	12/1996	Hayashi			
5,581,492	A	12/1996	Janik			
5,604,050	A	2/1997	Brunette et al.			
5,607,792	A	3/1997	Garcia et al.			
D380,199	S	6/1997	Beruscha et al.			
5,637,417	A	6/1997	Engmark et al.			
5,665,485	A	9/1997	Kuwayama et al.			
5,671,037	A	9/1997	Ogasawara et al.			
5,680,465	A	10/1997	Boyden			
D385,855	S	11/1997	Ronzani			
D387,898	S	12/1997	Ronzani			
D390,552	S	2/1998	Ronzani			
D391,234	S	2/1998	Chacon et al.			

US D567,806 S

6,230,029 B1	5/2001	Hahn et al.	6,909,546 B2	6/2005	Hirai
6,235,420 B1	5/2001	Ng	D507,523 S	7/2005	Resch et al.
6,237,051 B1	5/2001	Collins	D512,417 S	12/2005	Hirakawa et al.
D443,870 S	6/2001	Carpenter et al.	D512,985 S	12/2005	Travers et al.
6,261,715 B1	7/2001	Nakamura et al.	D519,497 S	4/2006	Komiyama
D449,289 S	10/2001	Weikel et al.	7,052,799 B2	5/2006	Zatezalo et al.
6,302,454 B1	10/2001	Tsurumaru et al.	D524,794 S	7/2006	Kim
6,304,430 B1	10/2001	Laine et al.	D525,237 S	7/2006	Viduya et al.
6,304,459 B1	10/2001	Toyosato et al.	D529,447 S *	10/2006	Greenfield D13/156
6,310,888 B1	10/2001	Hamlin	D549,216 S	8/2007	Viduya
6,324,053 B1	11/2001	Kamijo	D549,217 S	8/2007	Viduya
D451,903 S	12/2001	Amae et al.	D549,694 S	8/2007	Viduya et al.
D451,907 S	12/2001	Amae et al.	D551,615 S	9/2007	Wahl
6,325,507 B1	12/2001	Jannard et al.	D552,595 S	10/2007	Viduya
6,326,543 B1	12/2001	Lamp et al.	2001/0004310 A1	6/2001	Kono
6,327,152 B1	12/2001	Saye	2001/0017926 A1	8/2001	Vicamini
6,339,764 B1	1/2002	Livesay et al.	2001/0036058 A1	11/2001	Jenks et al.
6,349,001 B1	2/2002	Spitzer	2001/0046305 A1	11/2001	Muranami et al.
6,353,313 B1	3/2002	Estep et al.	2001/0048586 A1	12/2001	Itou et al.
6,356,635 B1	3/2002	Lyman et al.	2002/0003889 A1	1/2002	Fischer
6,357,534 B1	3/2002	Buetow et al.	2002/0009191 A1	1/2002	Lucey et al.
6,359,603 B1	3/2002	Zwern	2002/0012832 A1	1/2002	White et al.
6,359,777 B1	3/2002	Newman et al.	2002/0015008 A1	2/2002	Kishida
6,359,995 B1	3/2002	Ou	2002/0025455 A1	2/2002	Yoneyama
6,369,952 B1	4/2002	Rallison et al.	2002/0034683 A1	3/2002	Takeshita et al.
6,371,535 B2	4/2002	Wei et al.	2002/0068061 A1	6/2002	Huang
6,373,693 B1	4/2002	Seto et al.	2002/0076060 A1	6/2002	Hall et al.
6,373,942 B1	4/2002	Braund	2002/0080987 A1	6/2002	Almqvist
6,374,126 B1	4/2002	MacDonald, Jr. et al.	2002/0085733 A1	7/2002	Cottrell
6,376,942 B1	4/2002	Burger et al.	2002/0131616 A1	9/2002	Bronnikov et al.
D457,133 S	5/2002	Yoneyama	2002/0194004 A1	12/2002	Ginski et al.
6,384,591 B1	5/2002	Estep et al.	2002/0194005 A1	12/2002	Lahr
6,384,982 B1	5/2002	Spitzer	2003/0095525 A1	5/2003	Levin et al.
6,386,107 B1	5/2002	Rancourt	2003/0118197 A1	6/2003	Nagayasu et al.
6,394,278 B1	5/2002	Reed	2003/0130852 A1	7/2003	Tanaka et al.
6,434,251 B1	8/2002	Jensen et al.	2003/0171921 A1	9/2003	Manabe
6,445,175 B1	9/2002	Estep et al.	2004/0024586 A1	2/2004	Andersen
D463,784 S	10/2002	Taylor et al.	2004/0063475 A1	4/2004	Weng
D466,497 S	12/2002	Wikel et al.	2004/0091129 A1	5/2004	Jensen et al.
6,511,770 B2	1/2003	Chang	2004/0137969 A1	7/2004	Nassimi
6,581,782 B2	6/2003	Reed	2004/0193411 A1	9/2004	Hui et al.
6,660,427 B1	12/2003	Hukill et al.	2004/0203521 A1	10/2004	Nassimi
6,697,465 B1	2/2004	Goss	2005/0070337 A1	3/2005	Byford et al.
D488,146 S	4/2004	Minto	2005/0157903 A1	7/2005	Bech
D488,461 S	4/2004	Okada et al.			
D491,917 S	6/2004	Asai			
D492,295 S *	6/2004	Glatt D14/240			
6,745,014 B1	6/2004	Seibert et al.			
6,754,361 B1	6/2004	Hall et al.			
6,754,632 B1	6/2004	Kalinowski et al.			
D494,571 S *	8/2004	Polito D14/223			
6,769,762 B2	8/2004	Saito et al.			
6,769,767 B2	8/2004	Swab et al.			
6,778,676 B2	8/2004	Groth et al.			
6,826,532 B1	11/2004	Casby et al.			
6,847,336 B1	1/2005	Lemelson et al.			
D506,065 S	6/2005	Sugino et al.			

OTHER PUBLICATIONS

Vocollect Speech Recognition Headsets brochure—SR 30 Series Talkman High-Noise Headset. Copyright 2005.
 Vocollect SR 20 Talkman Lightweight Headset Product Information Sheet. Copyright Aug. 2004.
 Photographs 1-7 SR Talkman Headset Aug. 2004; Photographs 1-8 SR 30 Talkman Headset.
 Vocollect SR 20 Talkman Lightweight Headset Brochure. Copyright Aug. 2004.

* cited by examiner

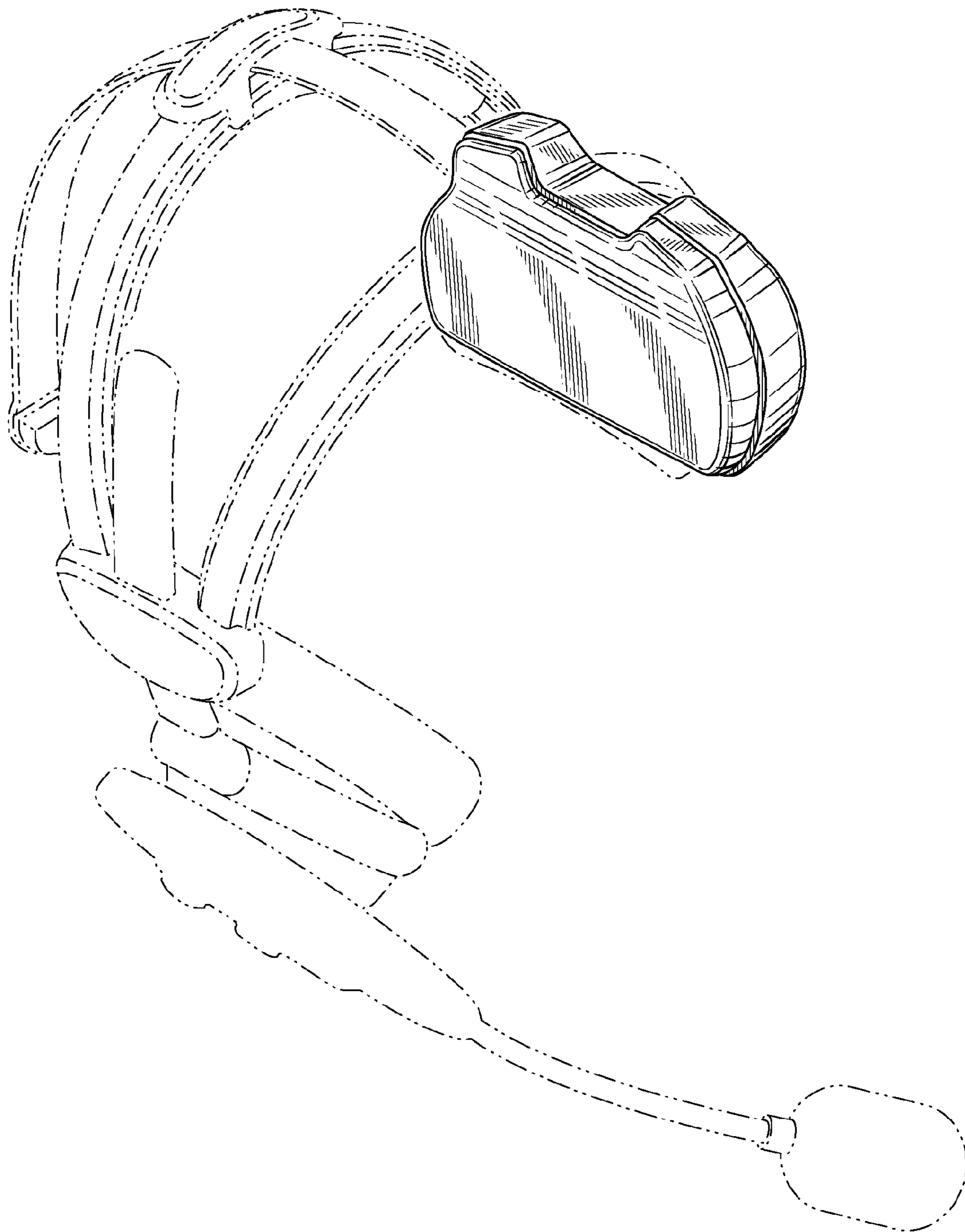


FIG. 1

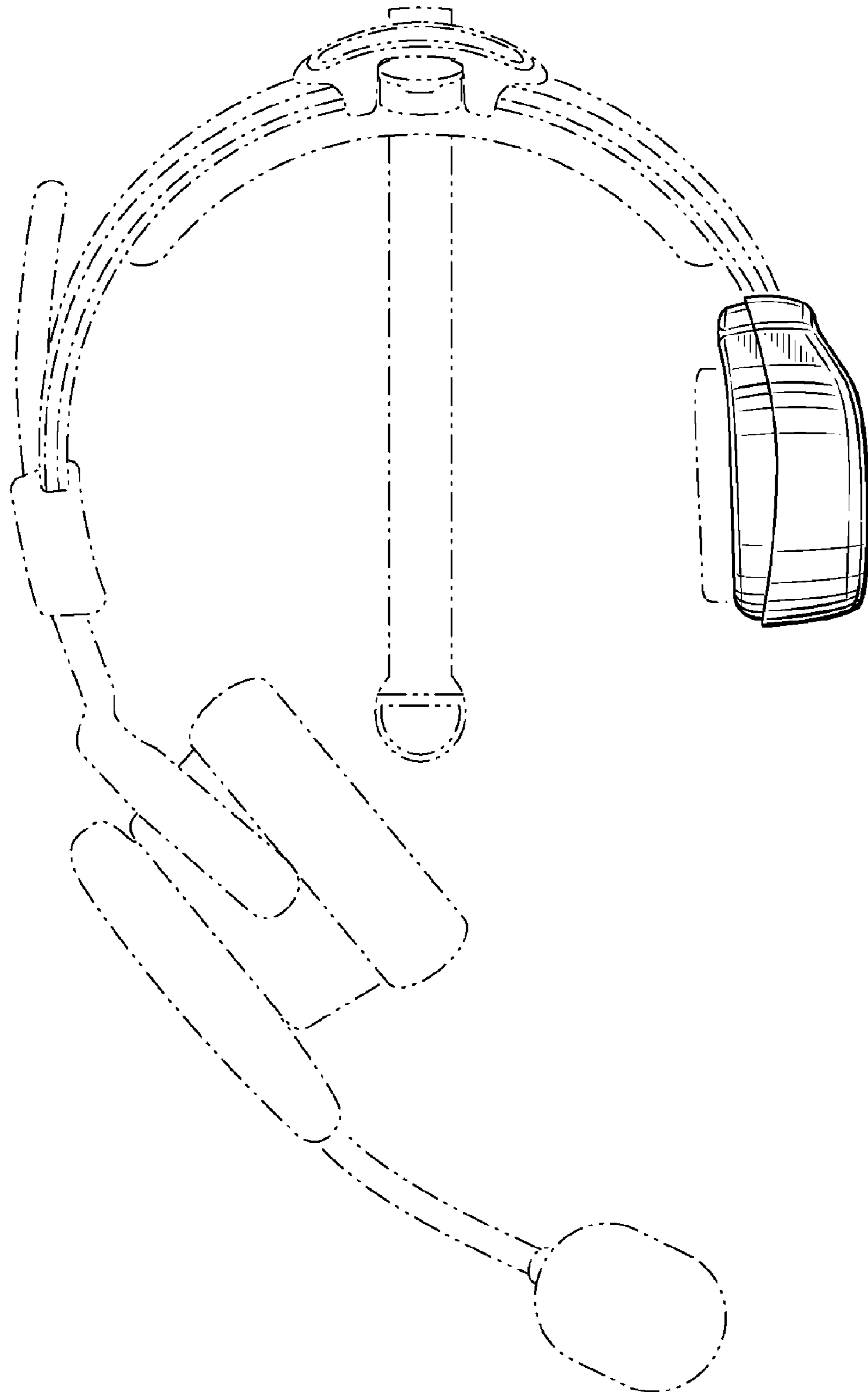


FIG. 2

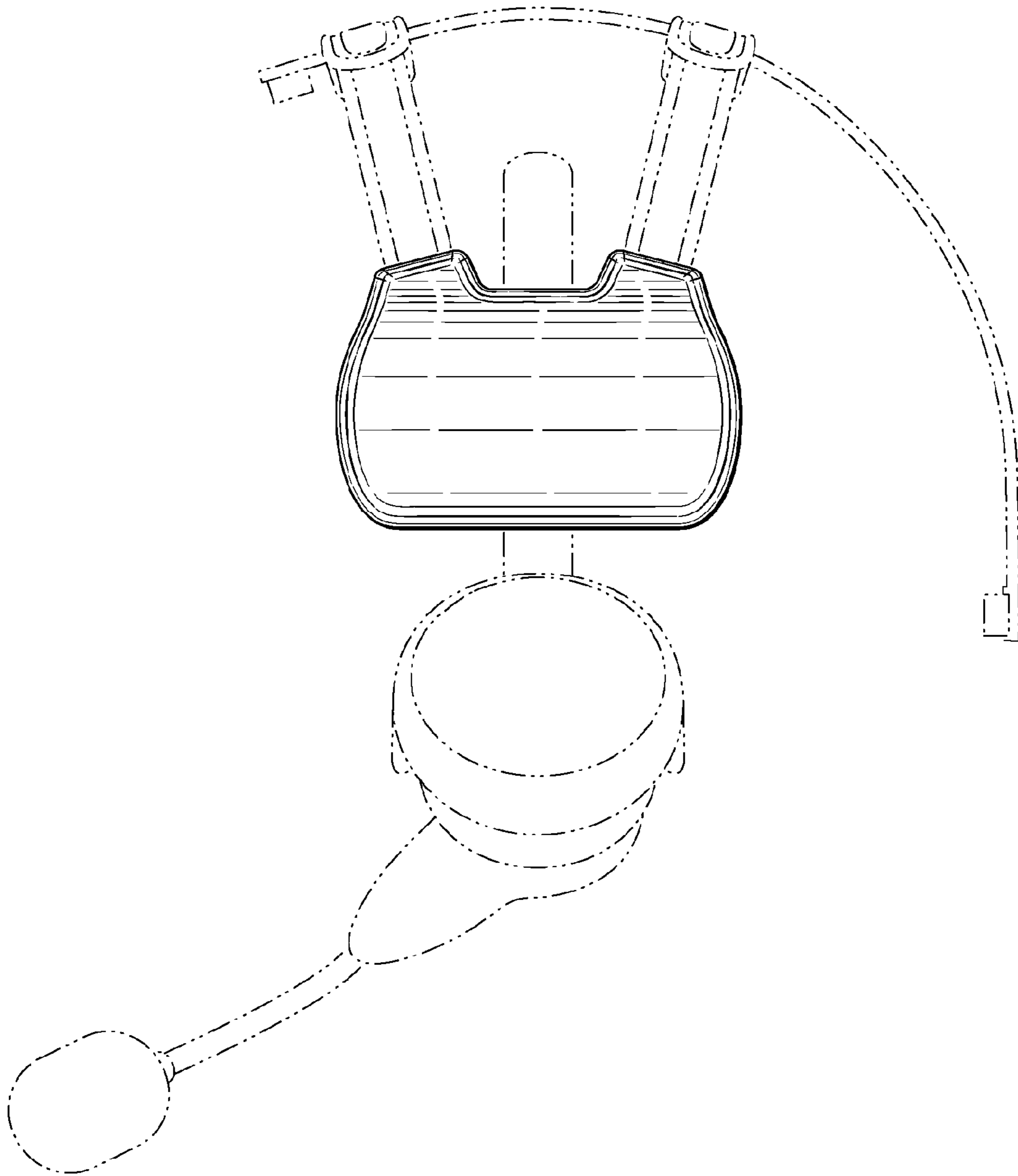


FIG. 3

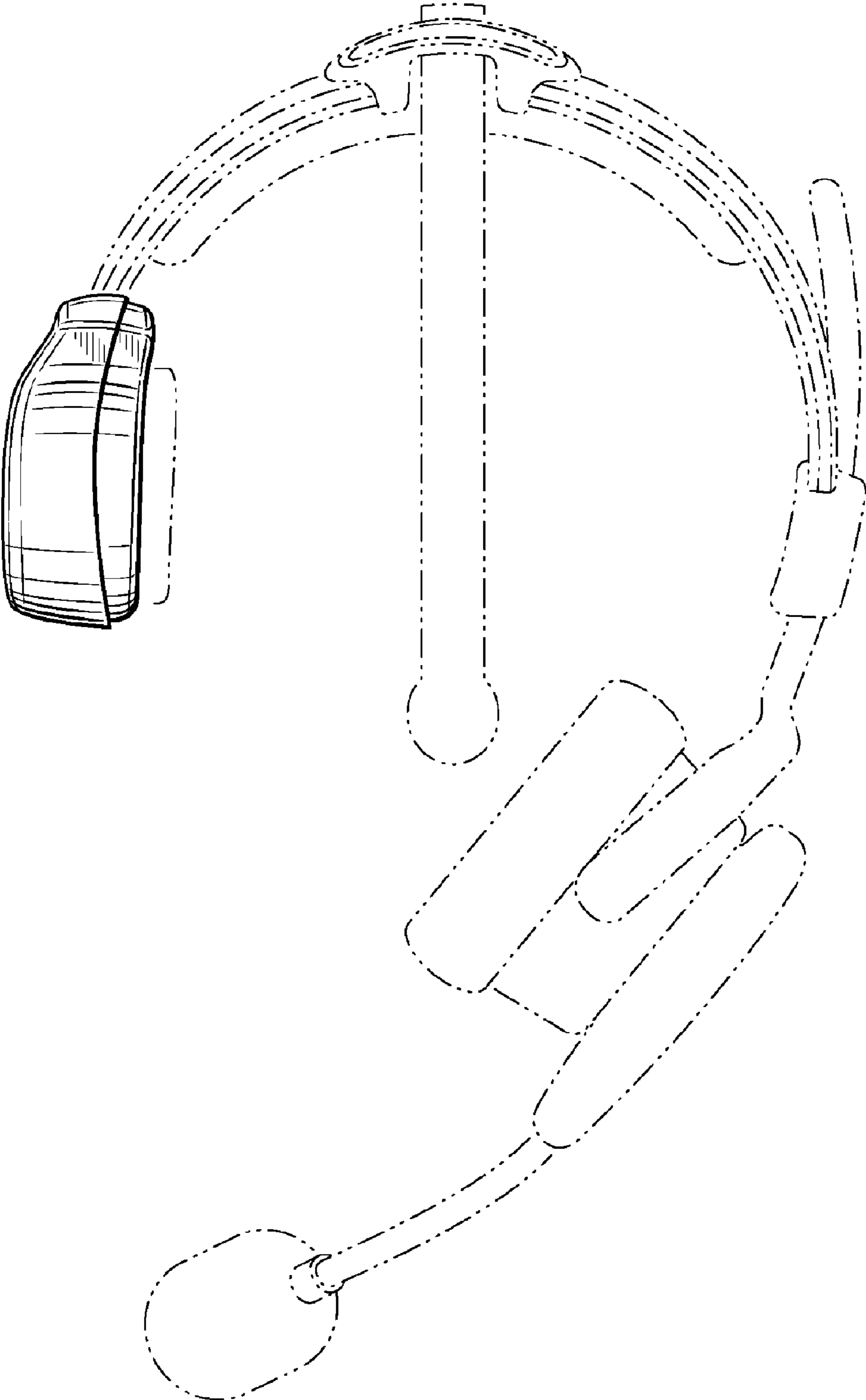


FIG. 4

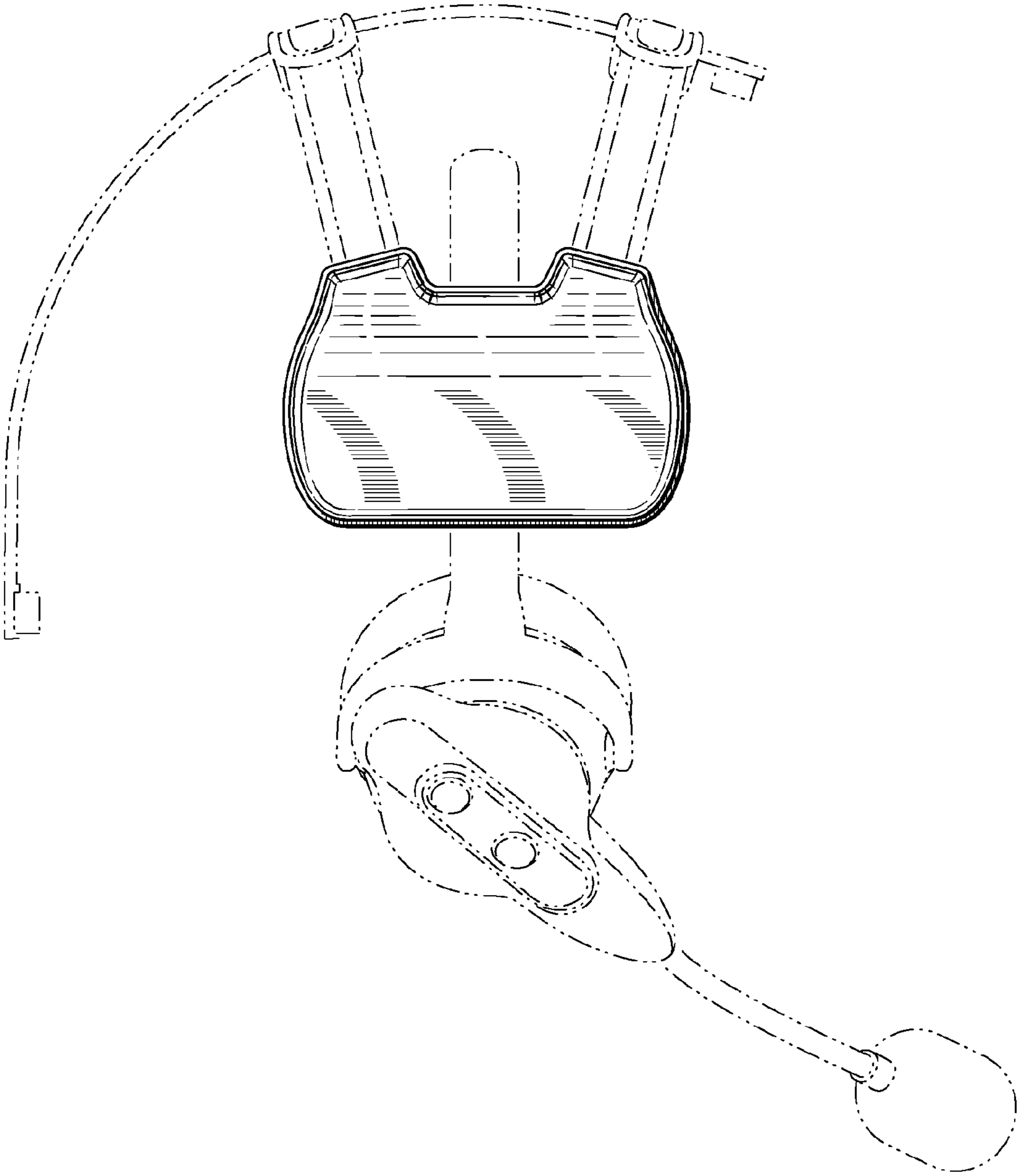


FIG. 5

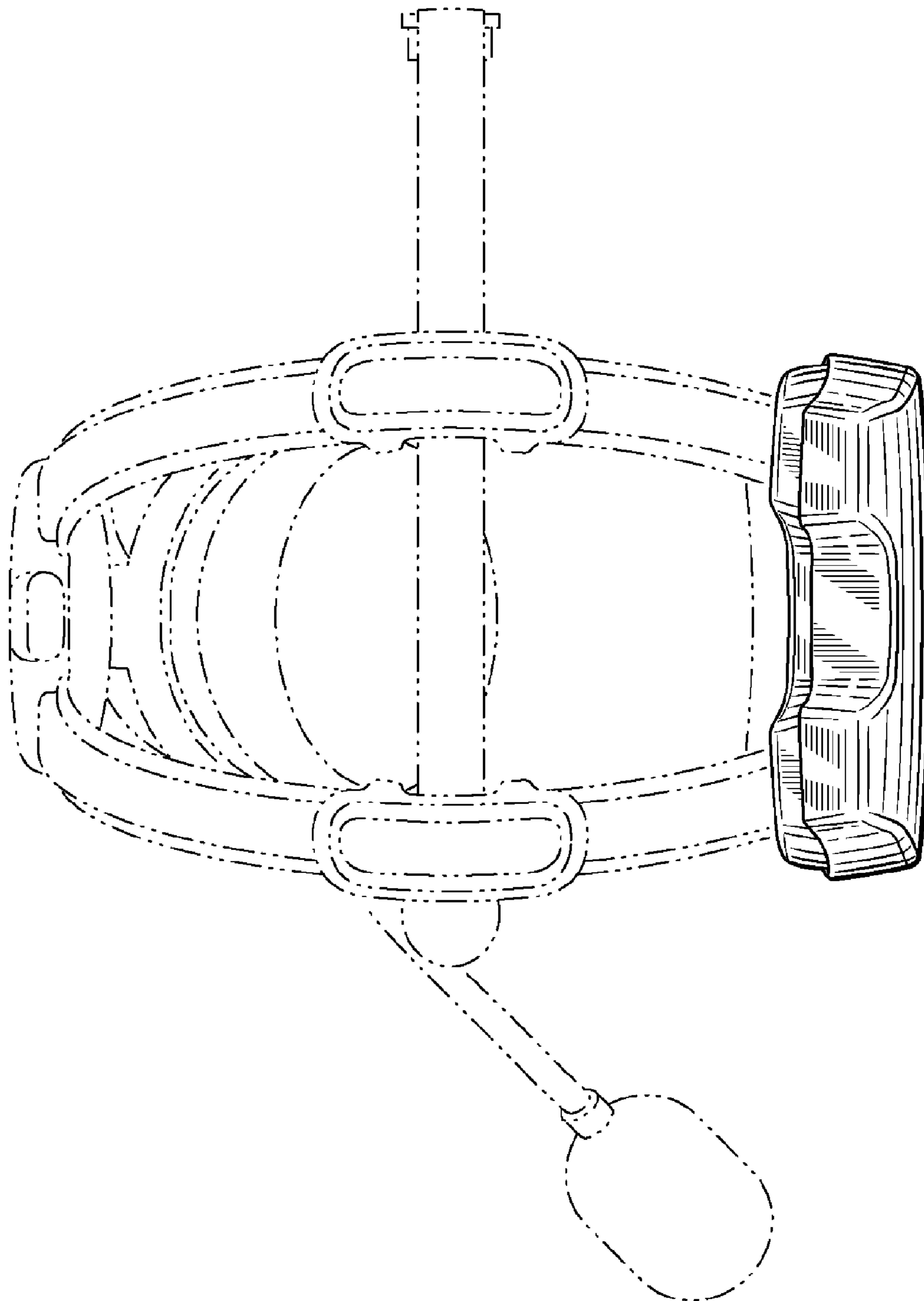


FIG. 6

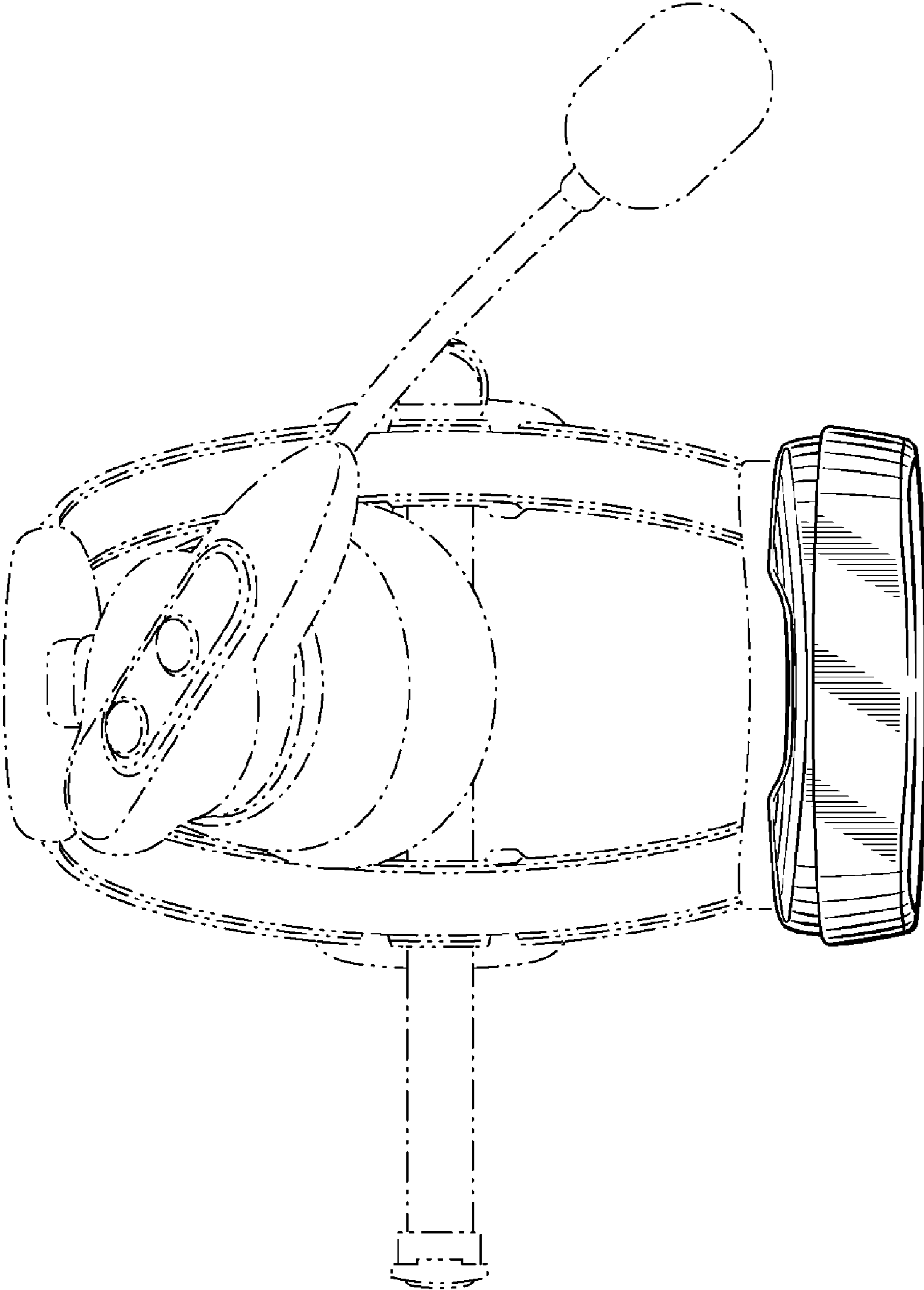


FIG. 7