



US00D567805S

(12) **United States Design Patent**
Hoehn et al.

(10) **Patent No.:** **US D567,805 S**

(45) **Date of Patent:** **** Apr. 29, 2008**

(54) **REMOTE CONTROL**

(75) Inventors: **Holger Hoehn**, Taipei (TW); **Reinier Bloem**, Taipei (TW)

(73) Assignee: **Hannspree, Inc.**, Taipei (TW)

(**) Term: **14 Years**

(21) Appl. No.: **29/287,815**

(22) Filed: **Sep. 24, 2007**

(51) **LOC (8) Cl.** **14-03**

(52) **U.S. Cl.** **D14/218**

(58) **Field of Classification Search** D14/218,
D14/455, 138; D13/168; D21/566, 572,
D21/273, 574, 575; D10/104, 106; 345/169;
348/14.05, 114, 211.99, 734; 340/825.24,
340/825.69; 341/22; 455/92, 95, 128, 151.1-151.4,
455/352, 355, FOR. 121; 700/65; 446/401,
446/405, 473

See application file for complete search history.

(56) **References Cited**

U.S. PATENT DOCUMENTS

D94,312 S *	1/1935	Marx	D21/574
D159,552 S *	8/1950	Shelton	D21/574
D168,878 S *	2/1953	Arliss	D21/572
D168,909 S *	2/1953	Rastetter	D21/574

D175,643 S *	9/1955	Relf	D21/574
D261,908 S *	11/1981	Steinberg	D21/401
D344,952 S *	3/1994	Bartholomew	D14/218
D365,103 S *	12/1995	Iacobellis	D14/213
5,675,427 A *	10/1997	Miller	398/106
6,573,854 B1 *	6/2003	Hug et al.	341/176
D527,057 S *	8/2006	Poon	D21/572

* cited by examiner

Primary Examiner—Robert M. Spear

Assistant Examiner—John Windmuller

(74) *Attorney, Agent, or Firm*—Bacon & Thomas, PLLC

(57) **CLAIM**

The ornamental design for a remote control, as shown.

DESCRIPTION

FIG. 1 is a perspective view of a remote control showing our new design;

FIG. 2 is a front elevational view thereof;

FIG. 3 is a rear elevational view thereof;

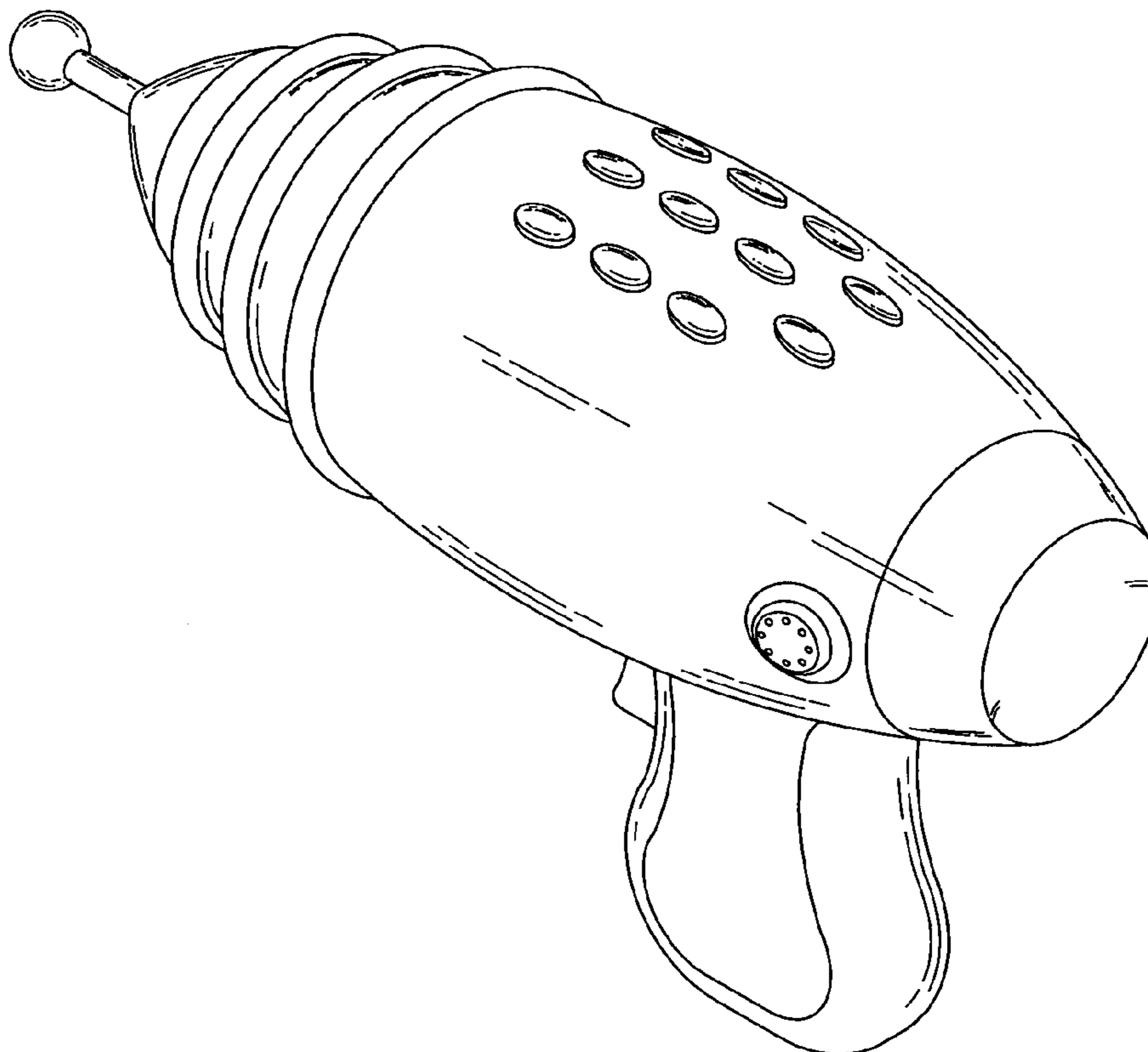
FIG. 4 is a left side elevational view thereof;

FIG. 5 is a right side elevational view thereof;

FIG. 6 is a top plan view thereof; and,

FIG. 7 is a bottom plan view thereof.

1 Claim, 6 Drawing Sheets



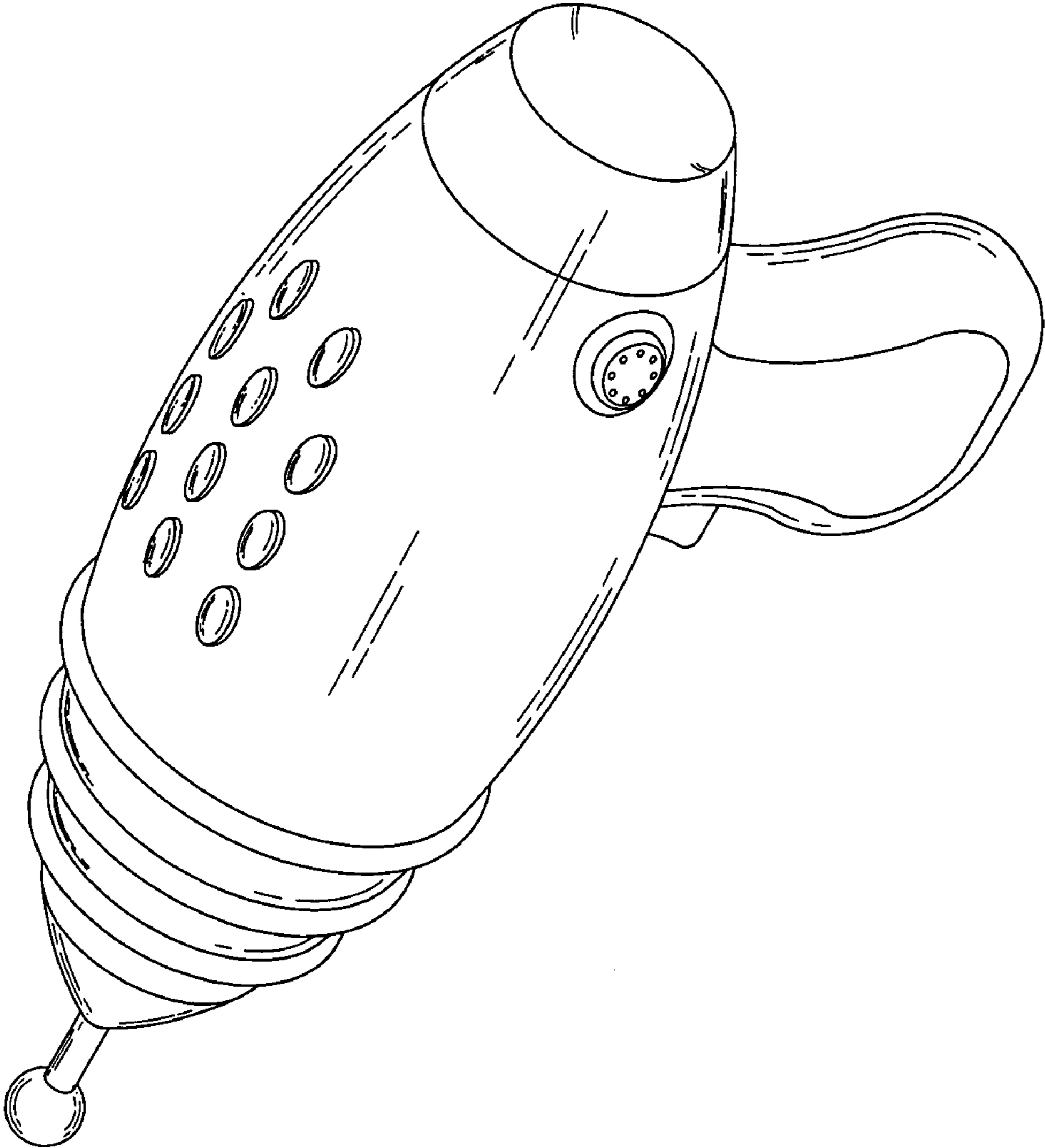


FIG. 1

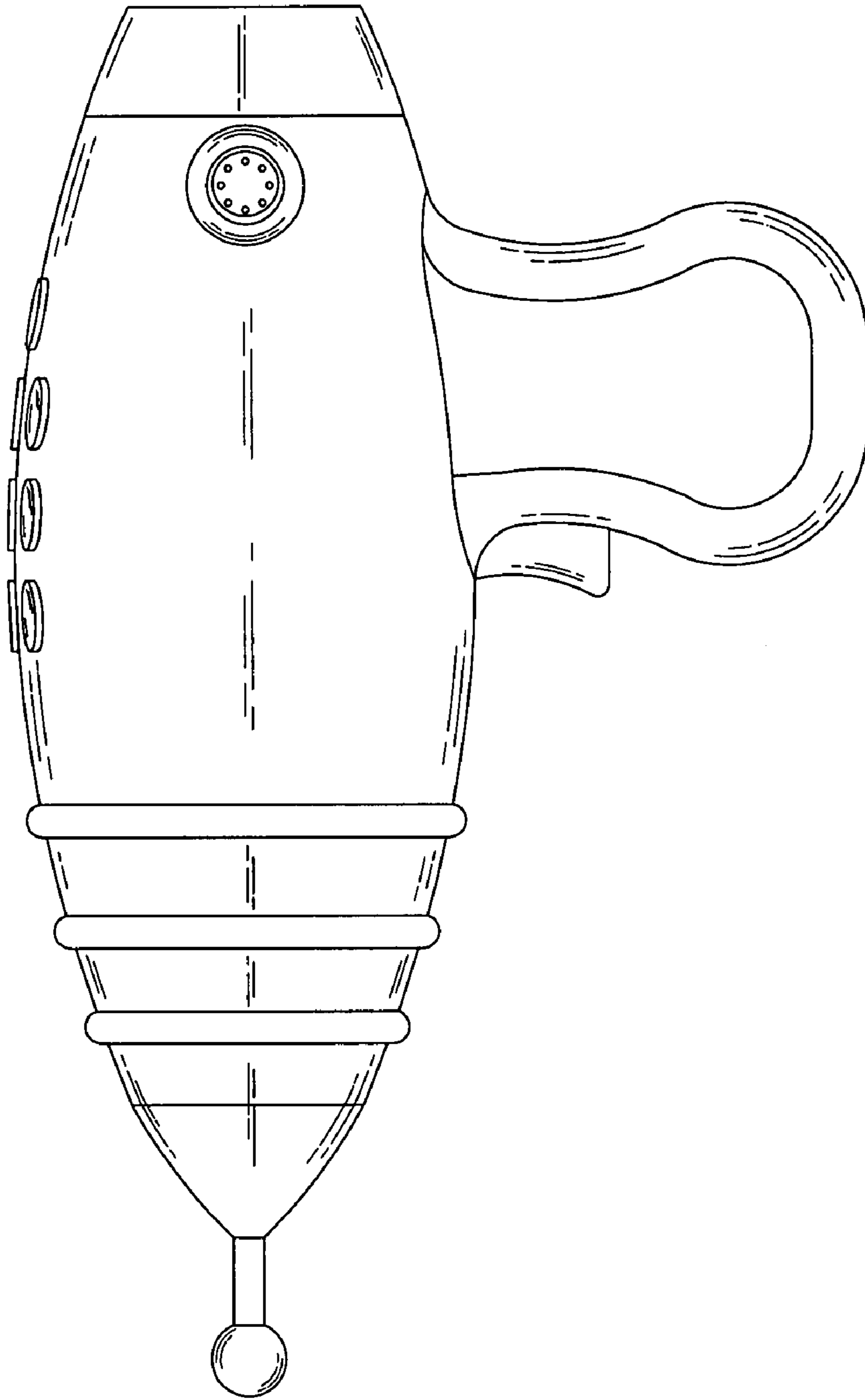


FIG. 2

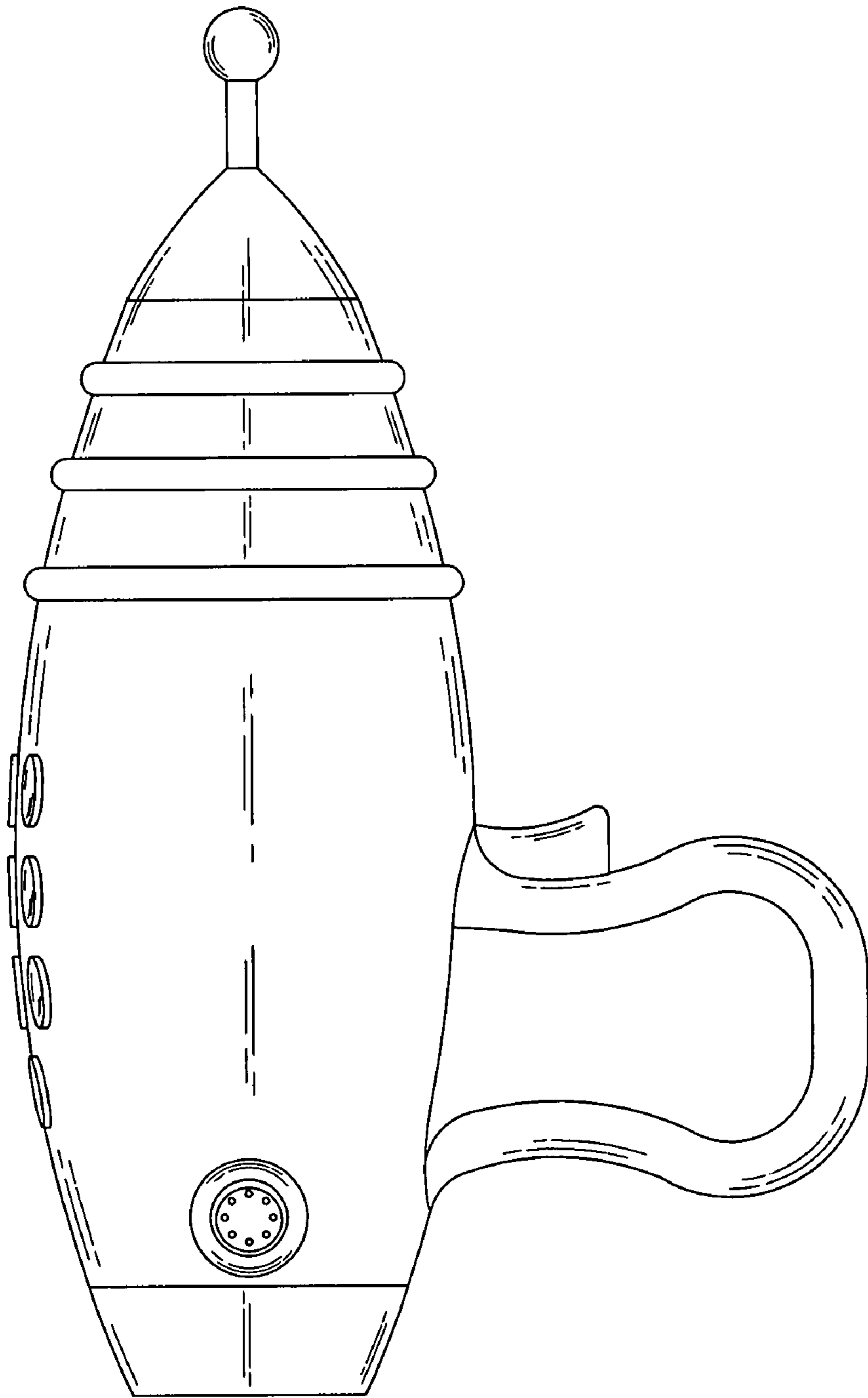


FIG. 3

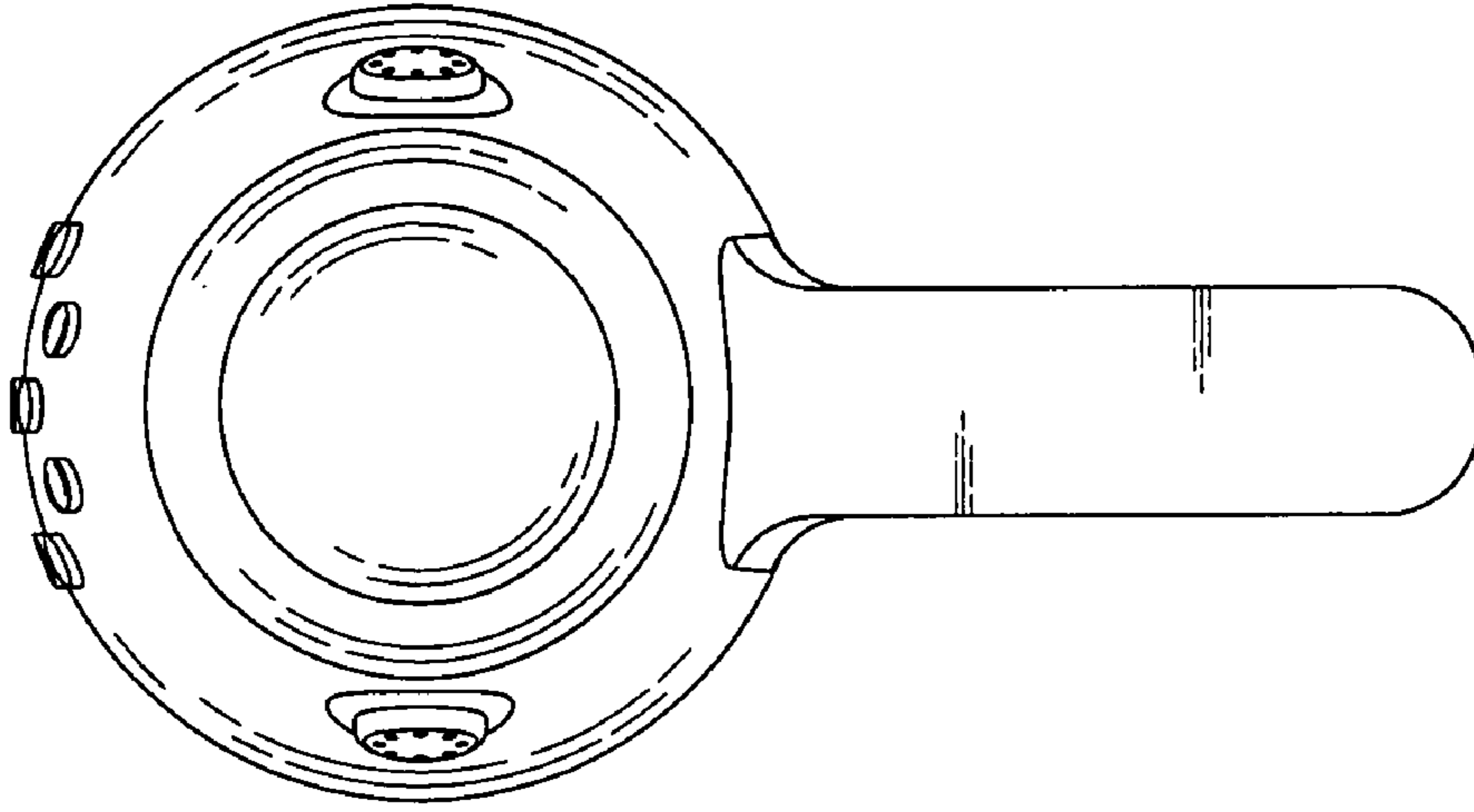


FIG. 5

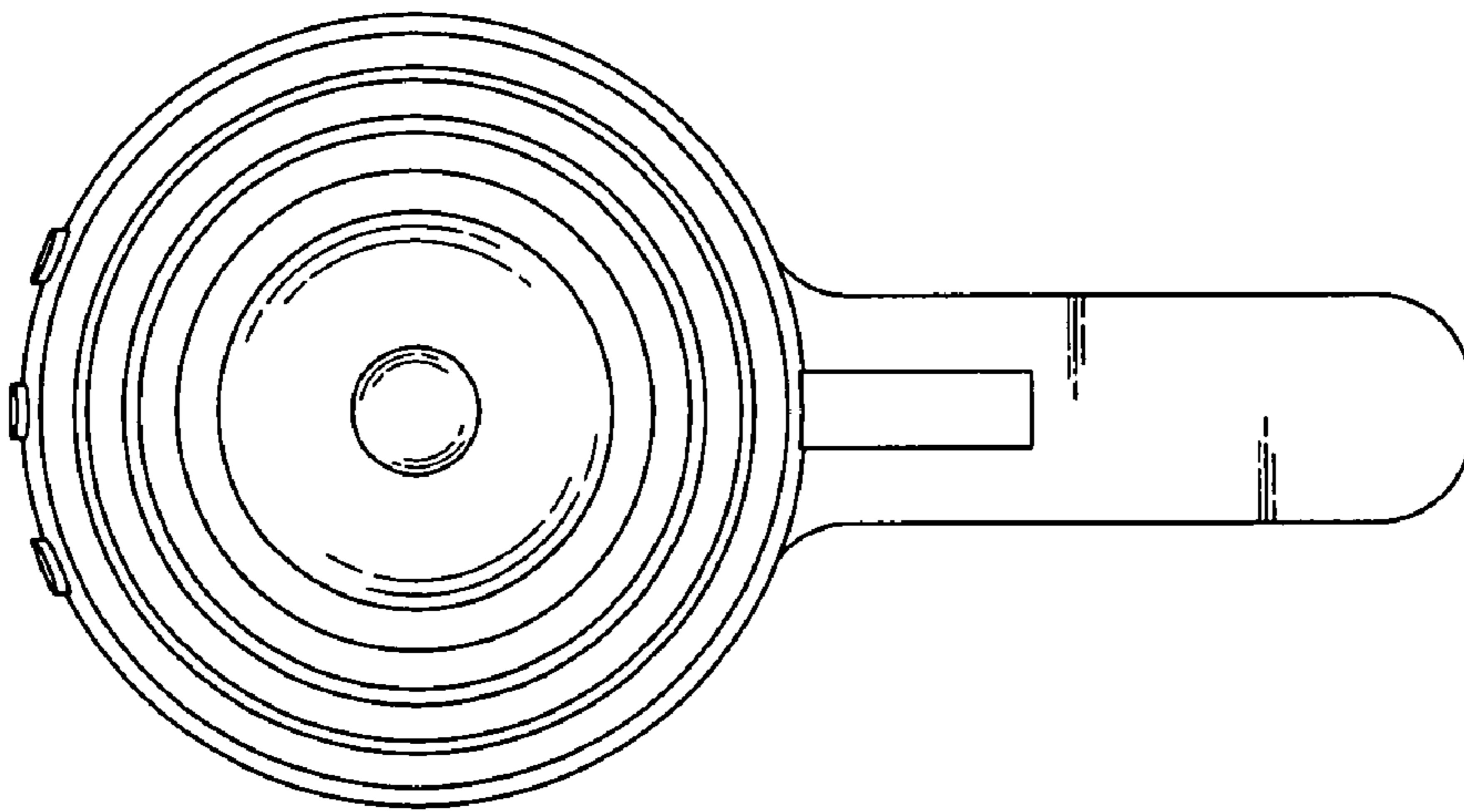


FIG. 4

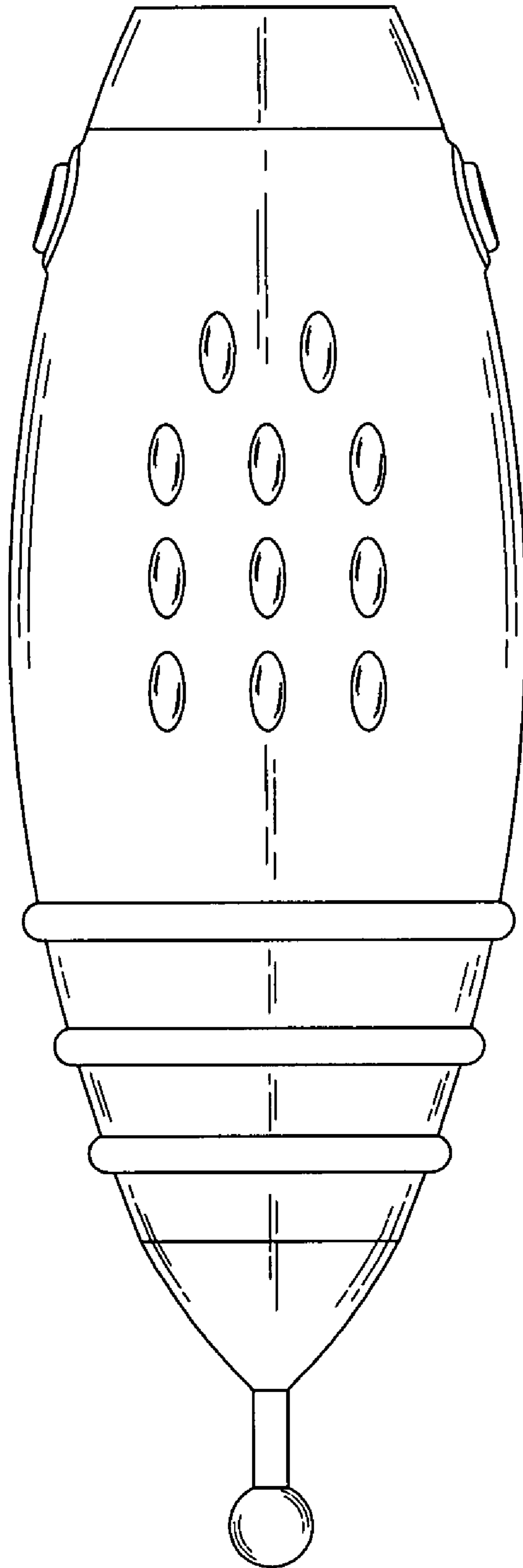


FIG. 6

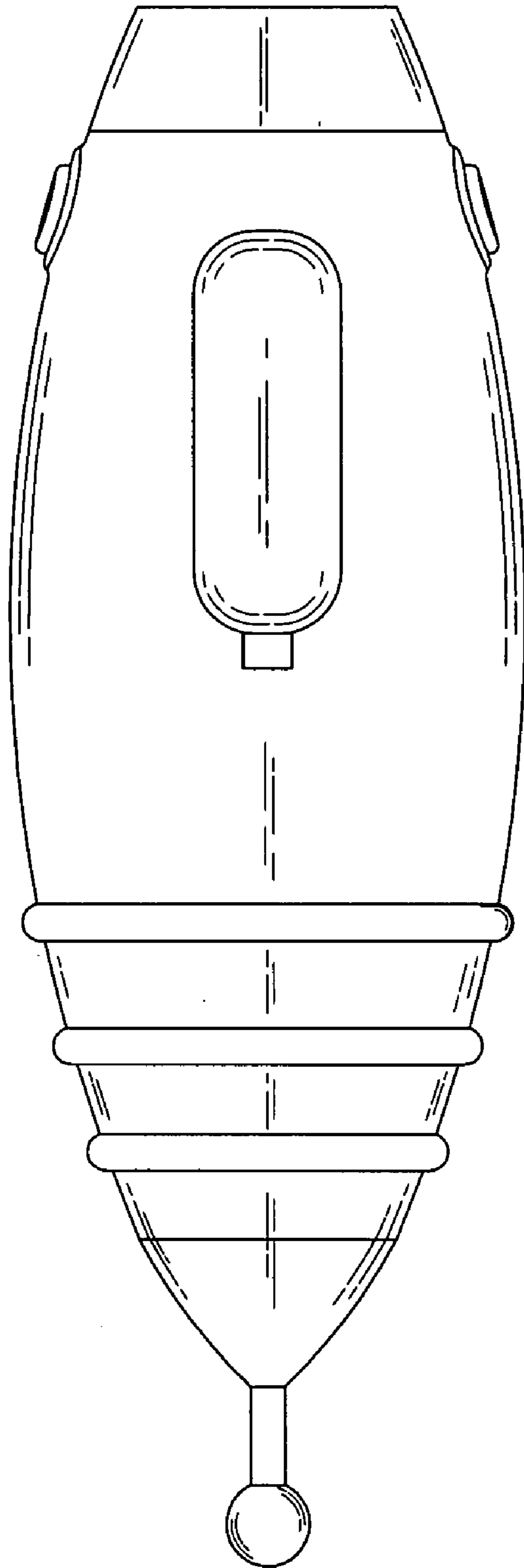


FIG. 7