

US00D567802S

(12) **United States Design Patent**
Cheng

(10) **Patent No.:** **US D567,802 S**

(45) **Date of Patent:** **** Apr. 29, 2008**

(54) **REMOTE CONTROL**

(75) Inventor: **Fu-Yuan Cheng**, Sinjhuang (TW)

(73) Assignee: **Hannspree, Inc.**, Taipei (TW)

(**) Term: **14 Years**

(21) Appl. No.: **29/270,560**

(22) Filed: **Dec. 28, 2006**

(30) **Foreign Application Priority Data**

Oct. 30, 2006 (TW) 95305929

(51) **LOC (8) Cl.** **14-03**

(52) **U.S. Cl.** **D14/218**

(58) **Field of Classification Search** D14/218,
D14/455; D13/168; D21/566; D10/104,
D10/106; 345/169; 348/14.05, 114, 211.99,
348/734; 340/825.24; 341/22; 455/92,
455/95, 128, 151.1-151.4, 352, 355, FOR. 121;
700/65

See application file for complete search history.

(56) **References Cited**

U.S. PATENT DOCUMENTS

D367,060 S * 2/1996 Augaitis et al. D14/218
D380,473 S * 7/1997 Otani D14/218
D406,141 S * 2/1999 Hill D14/218

D465,213 S * 11/2002 Baumert et al. D14/218
D485,828 S * 1/2004 Olson et al. D14/218
D497,601 S * 10/2004 Brandis D14/138
D499,396 S * 12/2004 Lin D14/218
D521,461 S * 5/2006 Lin D14/218
D548,223 S * 8/2007 Hall D14/216
D548,653 S * 8/2007 Costa D12/176

* cited by examiner

Primary Examiner—Robert M. Spear

Assistant Examiner—John Windmuller

(74) *Attorney, Agent, or Firm*—Bacon & Thomas, PLLC

(57) **CLAIM**

The ornamental design for a remote control, as shown.

DESCRIPTION

FIG. 1 is a perspective view of a remote control showing my new design;

FIG. 2 is a front elevational view thereof;

FIG. 3 is a rear elevational view thereof;

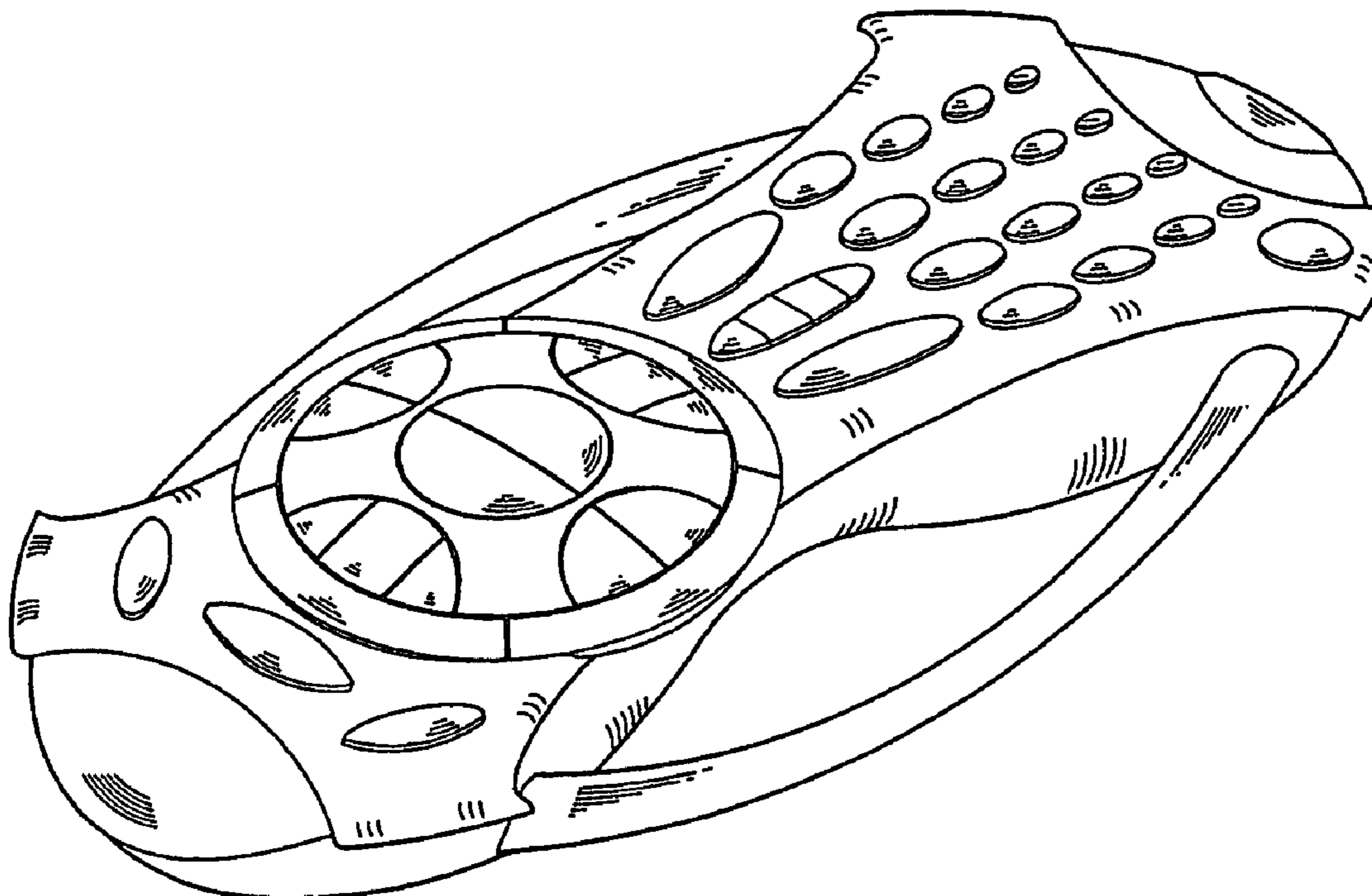
FIG. 4 is a left side elevational view thereof;

FIG. 5 is a right side elevational view thereof;

FIG. 6 is a top plan view thereof; and,

FIG. 7 is a bottom plan view thereof.

1 Claim, 5 Drawing Sheets



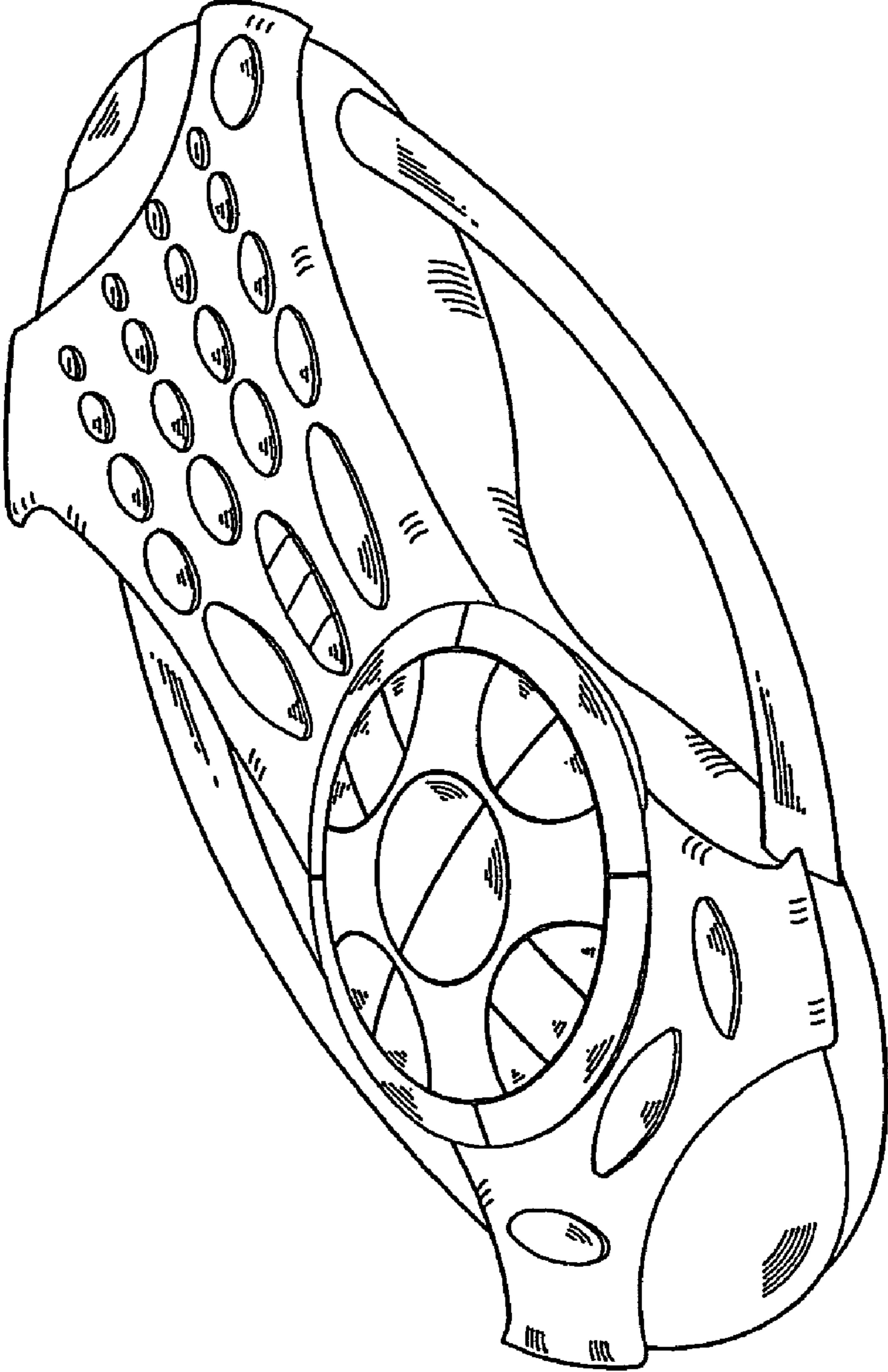


FIG. 1

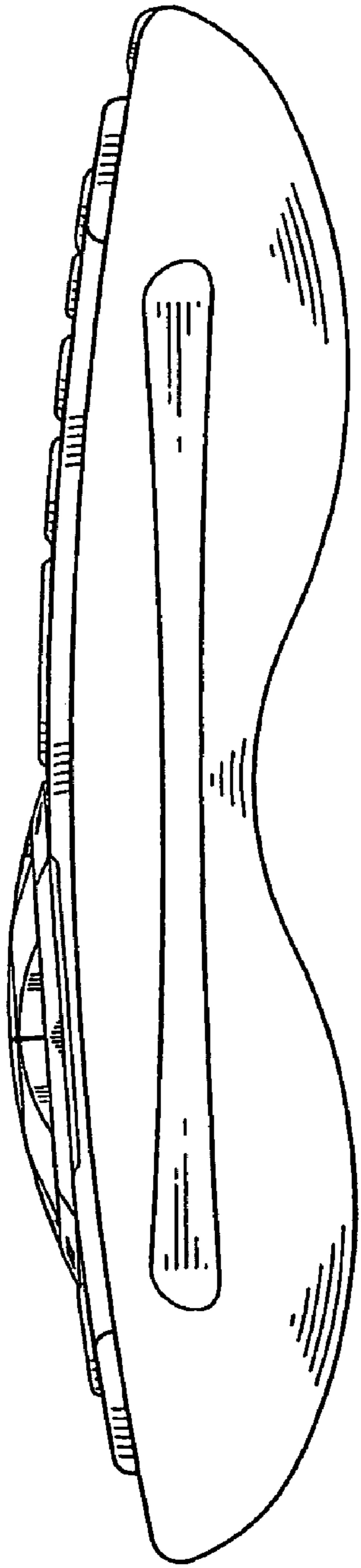


FIG. 2

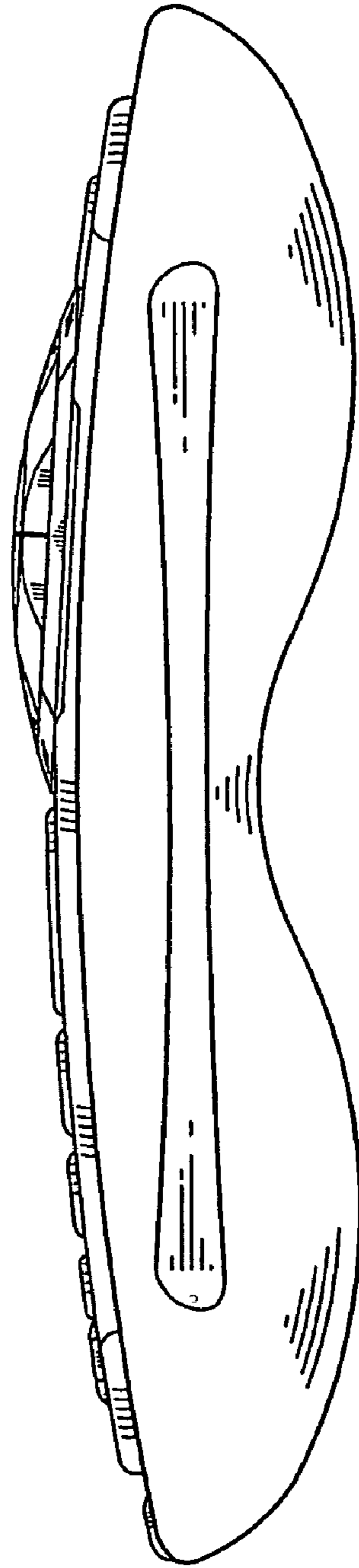


FIG. 3

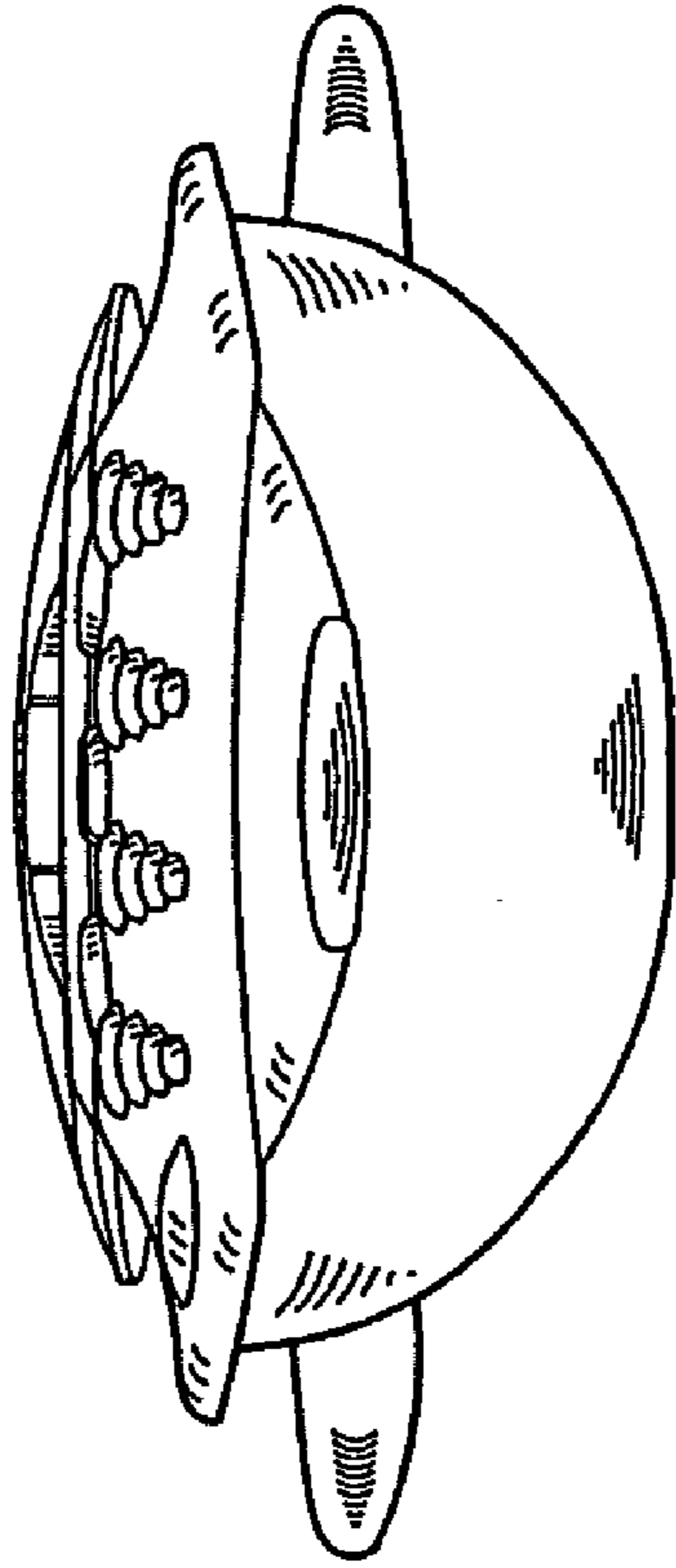


FIG. 5

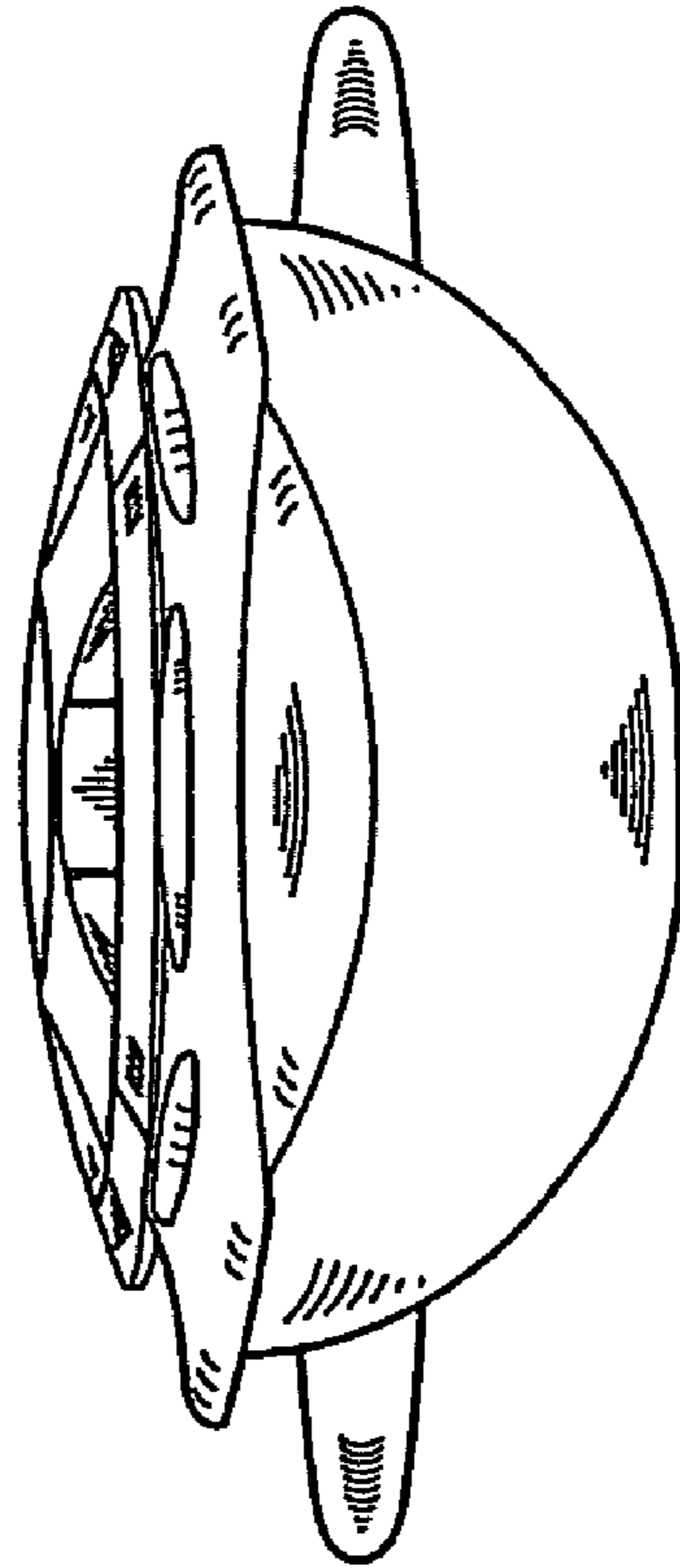


FIG. 4

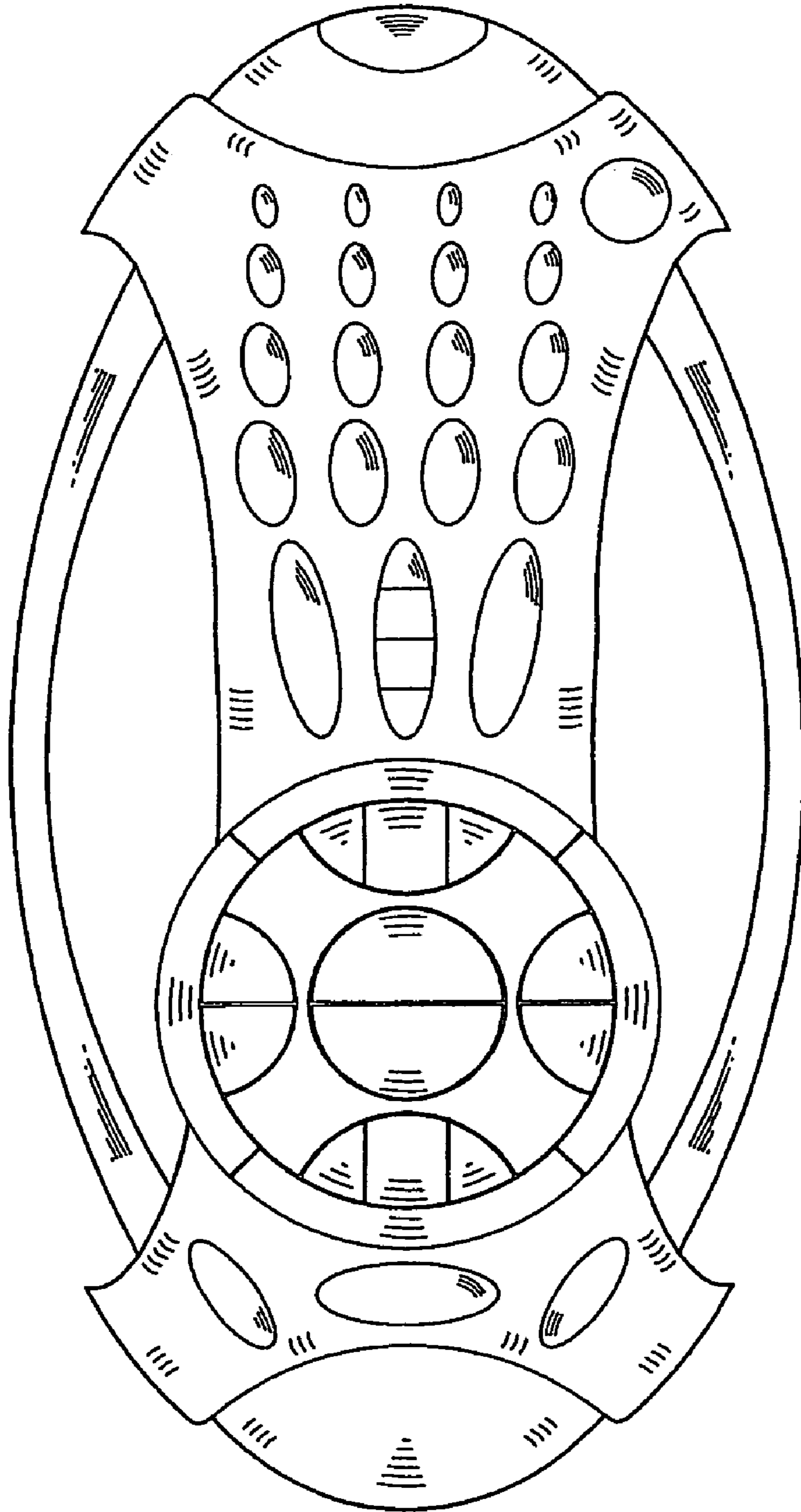


FIG. 6

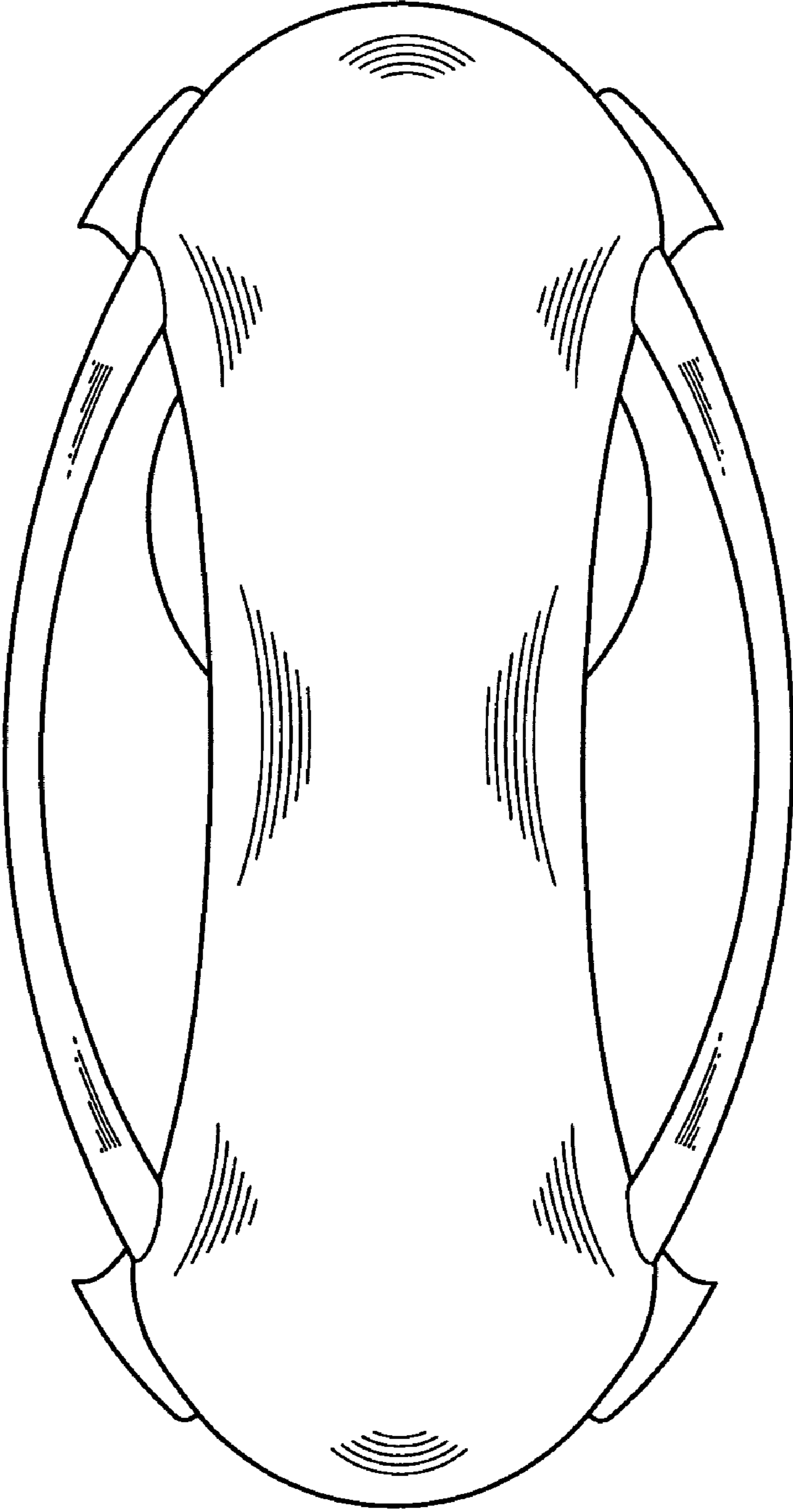


FIG. 7