



US00D567800S

(12) **United States Design Patent**
Andre et al.

(10) **Patent No.:** **US D567,800 S**
(45) **Date of Patent:** **** Apr. 29, 2008**

(54) **STAND**

(75) Inventors: **Bartley K. Andre**, Menlo Park, CA (US); **Daniel J. Coster**, San Francisco, CA (US); **Daniele De Iuliis**, San Francisco, CA (US); **Richard P. Howarth**, San Francisco, CA (US); **Jonathan P. Ive**, San Francisco, CA (US); **Duncan Robert Kerr**, San Francisco, CA (US); **Shin Nishibori**, San Francisco, CA (US); **Matthew Dean Rohrbach**, San Francisco, CA (US); **Douglas B. Satzger**, Menlo Park, CA (US); **Calvin Q. Seid**, Palo Alto, CA (US); **Christopher J. Stringer**, Portola Valley, CA (US); **Eugene Antony Whang**, San Francisco, CA (US); **Rico Zorkendorfer**, San Francisco, CA (US)

(73) Assignee: **Apple Inc.**, Cupertino, CA (US)

(**) Term: **14 Years**

(21) Appl. No.: **29/265,590**

(22) Filed: **Sep. 1, 2006**

(51) **LOC (8) Cl.** **14-02**

(52) **U.S. Cl.** **D14/217**

(58) **Field of Classification Search** D14/142, D14/149, 217, 251, 432, 434, 435, 447, 496; D13/107, 108, 118; 248/221.11, 309.1; 320/107, 320/110, 113-115; 361/600, 679, 683, 686; 439/529, 534; 455/556.1, 556.2, 557

See application file for complete search history.

(56) **References Cited**

U.S. PATENT DOCUMENTS

D471,906 S * 3/2003 Salazar et al. D14/253
D510,091 S * 9/2005 Mori et al. D14/434
D520,943 S * 5/2006 Imai D13/108
D525,616 S * 7/2006 Andre et al. D14/217
D537,807 S * 3/2007 Griffin et al. D14/155

D540,328 S * 4/2007 Hussaini et al. D14/434
D543,985 S * 6/2007 Hussaini et al. D14/434
D546,760 S * 7/2007 Aguilar et al. D13/108
D552,185 S * 10/2007 Hussaini et al. D21/333

* cited by examiner

Primary Examiner—Stella M. Reid
Assistant Examiner—Keli' L. Acker
(74) *Attorney, Agent, or Firm*—Sterne, Kessler, Goldstein & Fox P.L.L.C.

(57) **CLAIM**

We claim the ornamental design for a stand, substantially as shown and described.

DESCRIPTION

The stand, which can be utilized as a dock, is used to support an electronic device, such as a media player, media storage device, cellular phone, PDA and/or the like.

Contents of U.S. Design patent application Ser. No. 29/265,521 filed concurrently and entitled "Media Device," is hereby incorporated by reference. All of the material from the U.S. Design Patent application that is essential to the claimed design is included herein. Any material in the U.S. Design Patent application that is not present herein forms no part of the claimed design.

FIG. 1 is a front perspective view of a stand embodying our new design;

FIG. 2 is a top view of the stand.

FIG. 3 is a bottom view of the stand.

FIG. 4 is a front view of the stand.

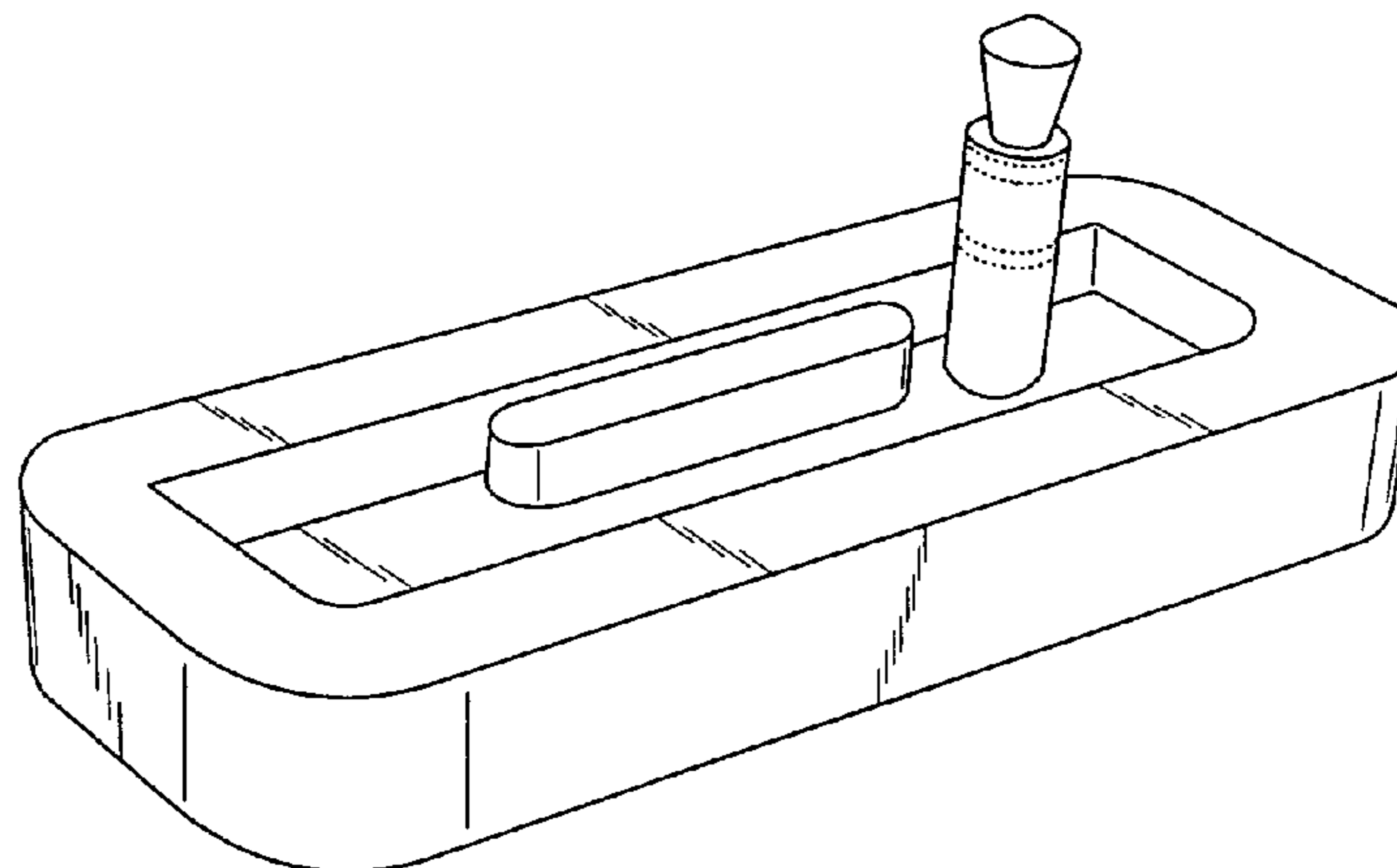
FIG. 5 is a rear view of the stand.

FIG. 6 is a right view of the of the stand; and,

FIG. 7 is a left side view of the stand.

The features shown in broken lines in the various Figures are for illustrating environmental structure and form no part of the claimed design.

1 Claim, 2 Drawing Sheets



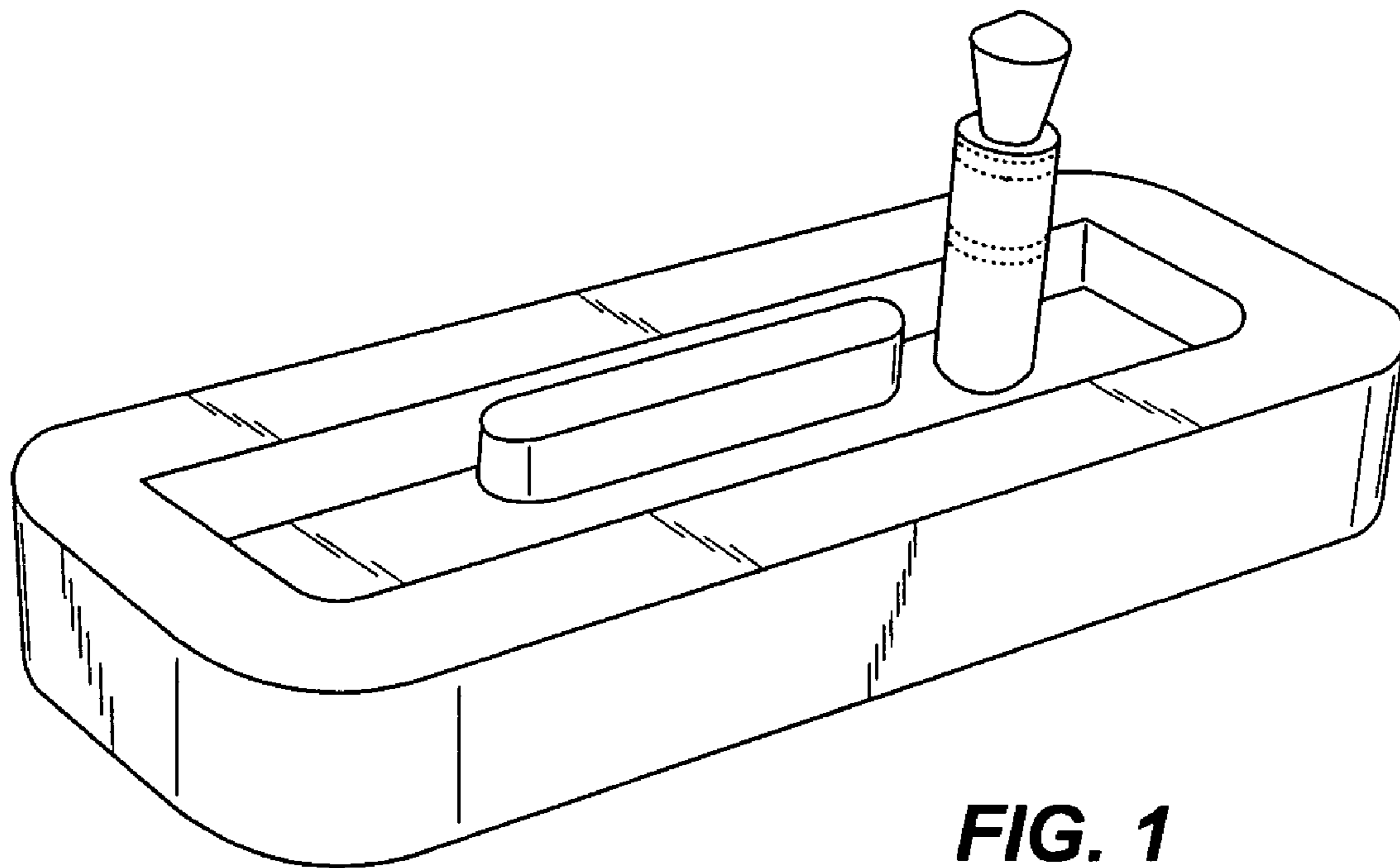


FIG. 1

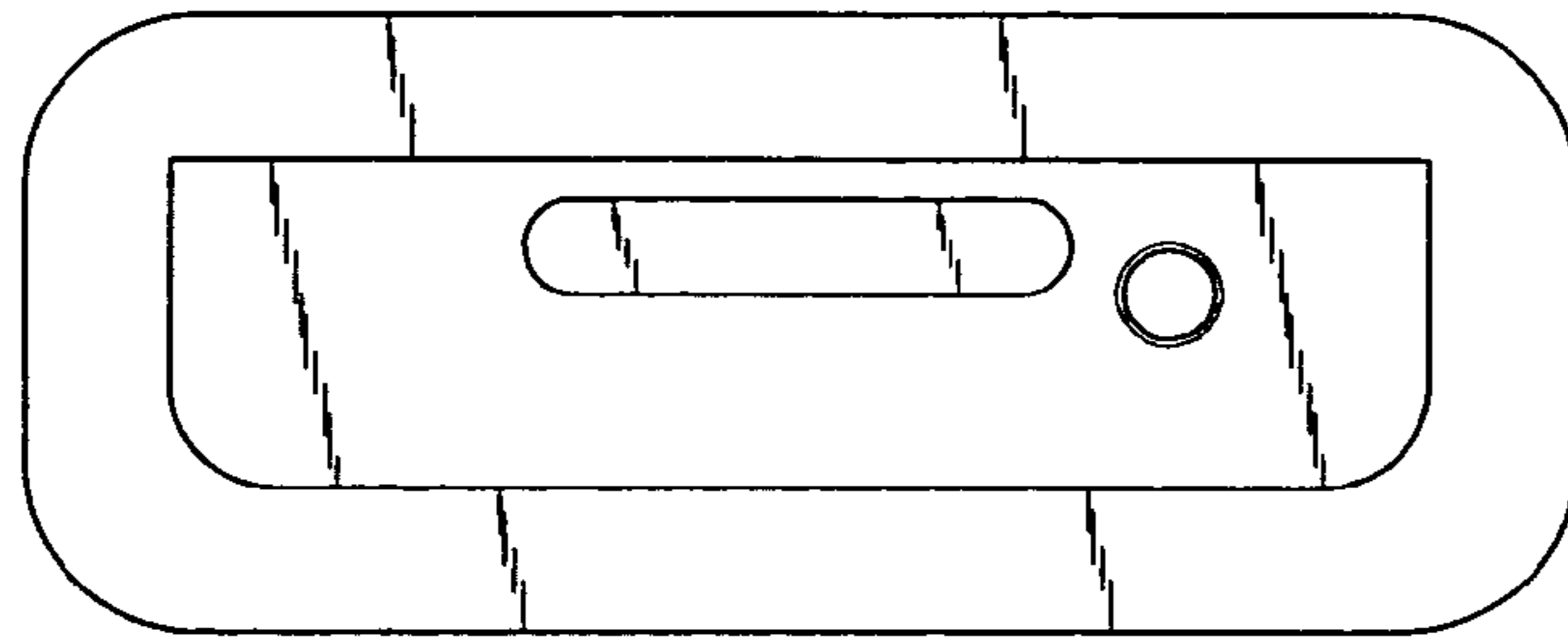


FIG. 2

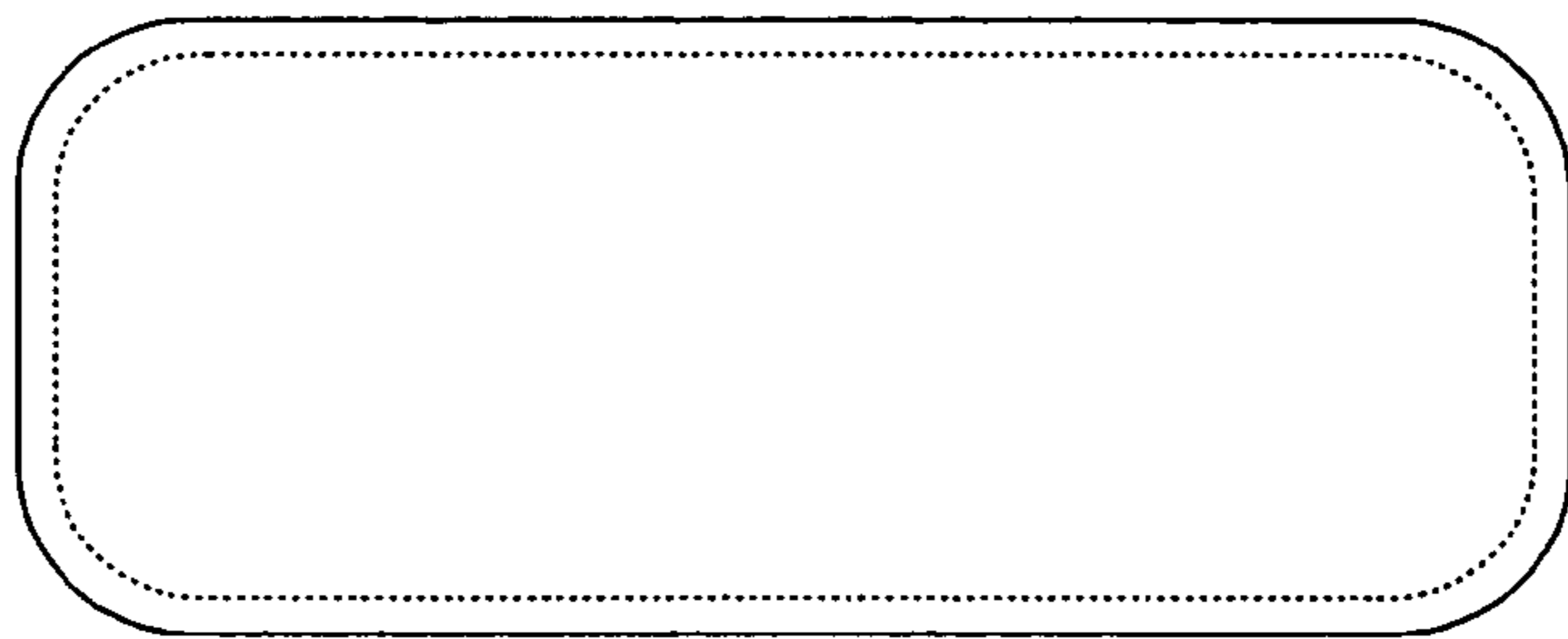


FIG. 3



FIG. 4



FIG. 5

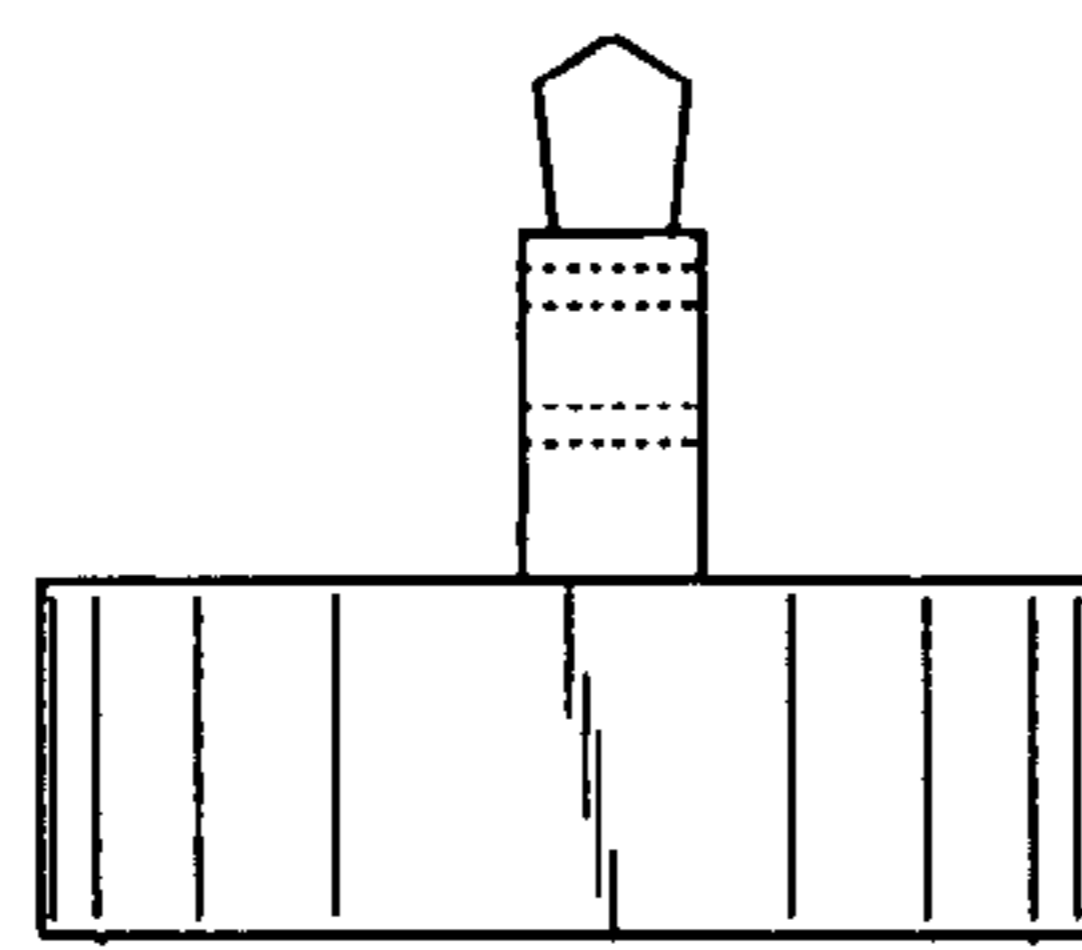


FIG. 6

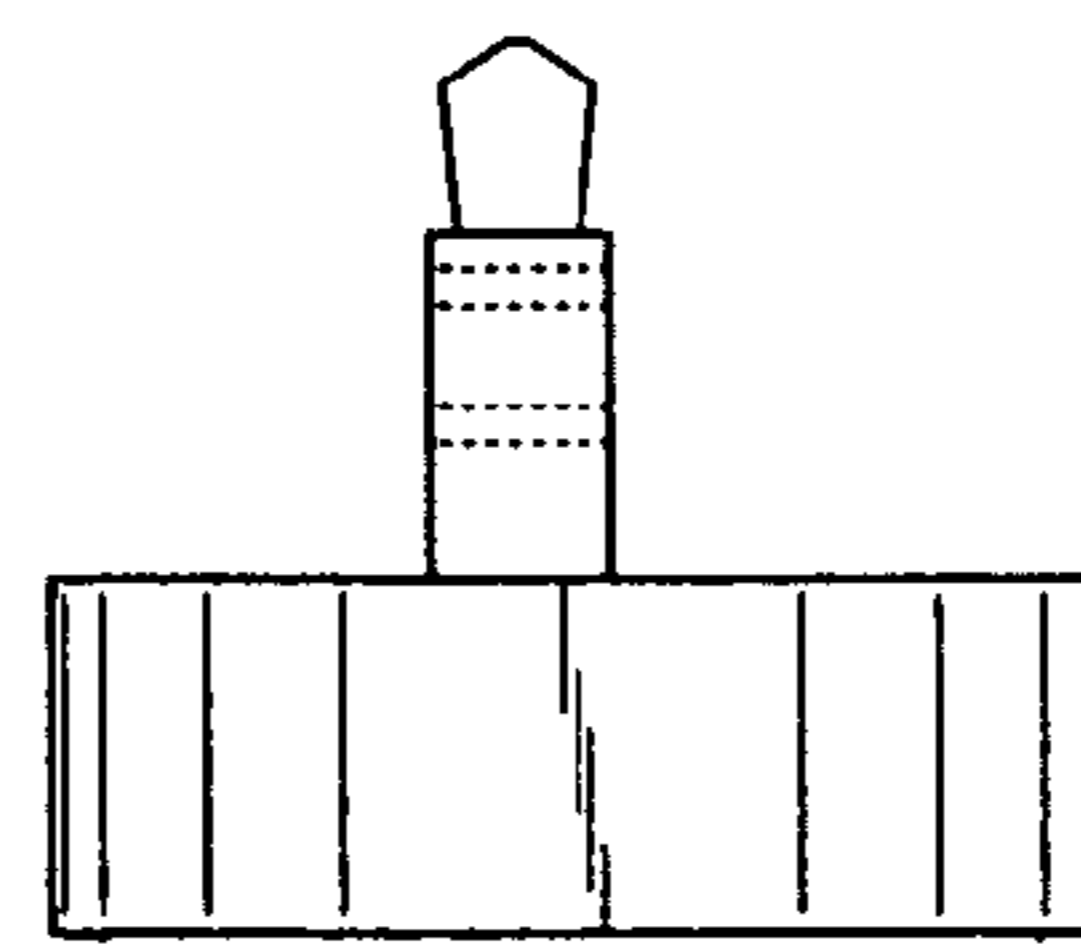


FIG. 7