

US00D567799S

(12) **United States Design Patent**
Viduya et al.

(10) **Patent No.:** **US D567,799 S**
(45) **Date of Patent:** **** Apr. 29, 2008**

(54) **HEADSET**

(75) Inventors: **Andres Viduya**, Cranberry Township, PA (US); **Graham Lacy**, London (GB); **Philip Shade**, London (GB)

(73) Assignee: **Vocollect, Inc.**, Pittsburgh, PA (US)

(**) Term: **14 Years**

(21) Appl. No.: **29/282,692**

(22) Filed: **Jul. 26, 2007**

Related U.S. Application Data

(63) Continuation-in-part of application No. 29/242,817, filed on Nov. 15, 2005, now Pat. No. Des. 549,694.

(51) **LOC (8) Cl.** **14-01**

(52) **U.S. Cl.** **D14/205; D14/223**

(58) **Field of Classification Search** D14/188, D14/192, 205–206, 223; 181/129–130; 600/383; 381/370, 381, 376–380; 379/433.01, 433.02, 379/433.03, 433.04, 433.05, 430; 2/209
See application file for complete search history.

(56) **References Cited**

U.S. PATENT DOCUMENTS

- 1,483,315 A 2/1924 Seal
- D130,619 S 12/1941 Tresie et al.
- D153,112 S 3/1949 Braun et al.
- 2,506,524 A 5/1950 Stuck
- 2,782,423 A * 2/1957 Simon et al. 2/209
- 2,958,769 A 11/1960 Bounds
- 3,087,028 A 4/1963 Bonnin
- D196,654 S 10/1963 Van Den Berg
- D206,665 S 1/1967 Sanzone
- 3,327,807 A * 6/1967 Mullin 181/129
- D212,863 S 12/1968 Roberts
- 3,654,406 A 4/1972 Reinthaler
- 3,682,268 A 8/1972 Gorike
- 3,969,796 A 7/1976 Hodsdon et al.
- 3,971,900 A 7/1976 Foley
- 3,971,901 A 7/1976 Foley
- 3,984,885 A 10/1976 Yoshimura et al.

- 4,024,368 A 5/1977 Shattuck
- 4,031,295 A 6/1977 Rigazio
- 4,039,765 A 8/1977 Tichy et al.
- 4,138,598 A 2/1979 Cech
- 4,189,788 A 2/1980 Schenke et al.
- RE30,662 E 6/1981 Foley
- 4,302,635 A 11/1981 Jacobsen et al.
- D265,989 S 8/1982 Harris et al.

(Continued)

OTHER PUBLICATIONS

Vocollect Speech Recognition Headsets brochure—Clarity and comfort. Reliable performance. Copyright Sep. 2005.

(Continued)

Primary Examiner—Paula A. Greene

(74) *Attorney, Agent, or Firm*—Wood, Herron & Evans, LLP

(57) **CLAIM**

The ornamental design for a headset, as shown and described.

DESCRIPTION

FIG. 1 is a front perspective view of a headset showing our new design;

FIG. 2 is a front elevational view relative to FIG. 1;

FIG. 3 is right side elevational view relative to FIG. 1;

FIG. 4 is a rear elevational view relative to FIG. 1;

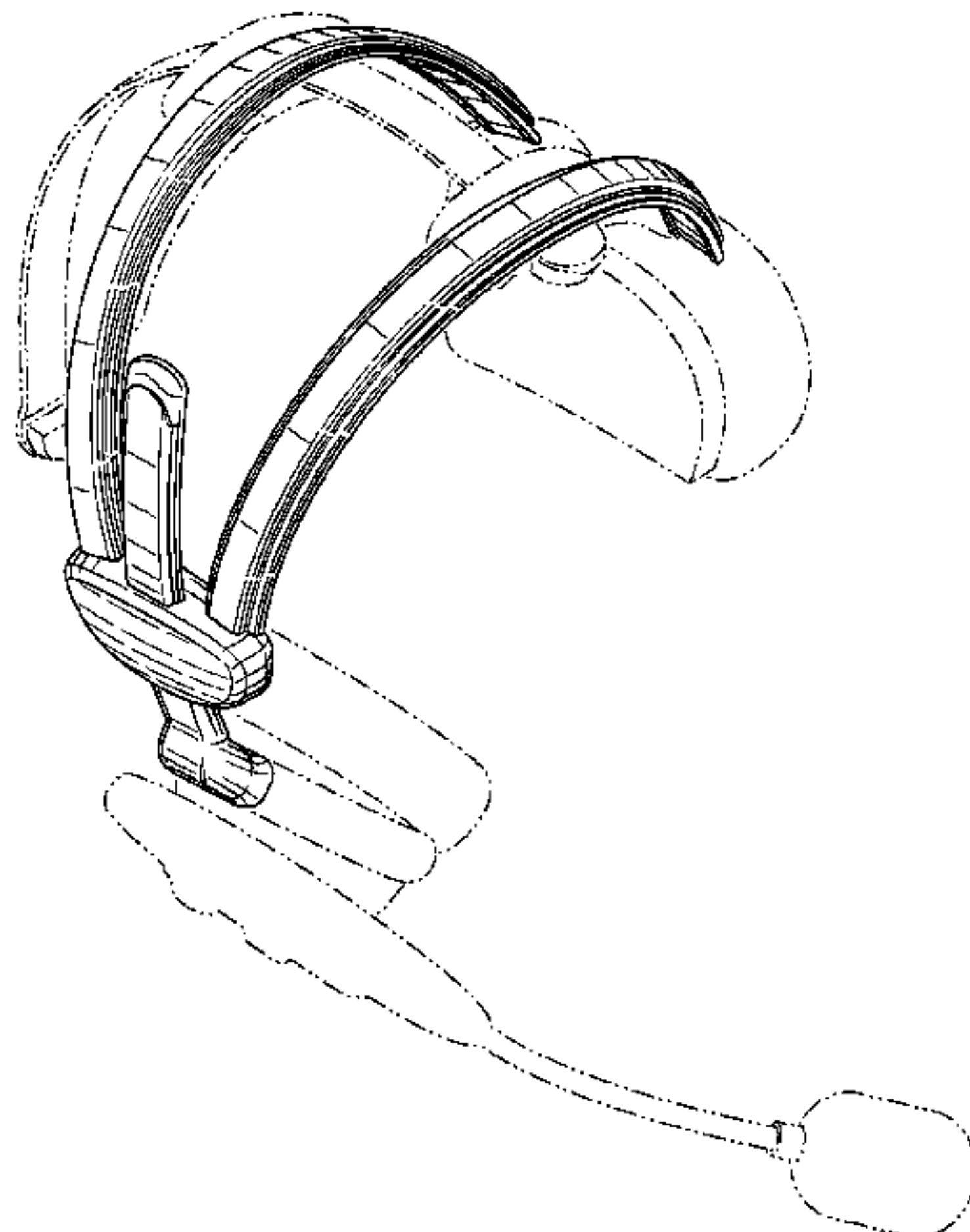
FIG. 5 is a left side elevational view relative to FIG. 1;

FIG. 6 is a top view relative to FIG. 1; and,

FIG. 7 is a bottom view relative to FIG. 1;

The broken lines are for illustrative purposes only, and form no part of the claimed design.

1 Claim, 4 Drawing Sheets



US D567,799 S

Page 2

U.S. PATENT DOCUMENTS					
			5,719,744 A	2/1998	Jenkins et al.
D268,675 S	4/1983	Hass	D394,436 S	5/1998	Hall et al.
4,418,248 A	11/1983	Mathis	5,757,339 A	5/1998	Williams et al.
4,471,496 A	9/1984	Gardner, Jr. et al.	5,762,512 A	6/1998	Trant et al.
4,472,607 A	9/1984	Houng	5,766,794 A	6/1998	Brunette et al.
4,499,593 A	2/1985	Antle	5,774,096 A	6/1998	Usuki et al.
4,634,816 A	1/1987	O'Malley	5,781,644 A	7/1998	Chang
4,672,672 A	6/1987	Eggert et al.	5,787,361 A	7/1998	Chen
4,689,822 A	8/1987	Houng	5,793,878 A	8/1998	Chang
D299,129 S	12/1988	Weigel	D398,899 S	9/1998	Chaco
4,821,318 A	4/1989	Wu	D400,848 S	11/1998	Clark et al.
D301,145 S	5/1989	Besasia et al.	5,832,098 A	11/1998	Chen
4,845,650 A	7/1989	Meade et al.	5,841,630 A	11/1998	Seto et al.
4,875,233 A	10/1989	Derhaag	5,841,859 A	11/1998	Chen
4,907,266 A	3/1990	Chen	5,844,824 A	12/1998	Newman et al.
4,952,024 A	8/1990	Gale	5,856,038 A	1/1999	Mason
D313,092 S	12/1990	Nilsson	5,857,148 A	1/1999	Wieisshappel et al.
5,003,589 A	3/1991	Chen	5,862,241 A	1/1999	Nelson
5,018,599 A	5/1991	Dohi	D406,098 S	2/1999	Walter et al.
5,023,824 A	6/1991	Chaima, Jr. et al.	5,869,204 A	2/1999	Kottke et al.
D318,670 S	7/1991	Taniguchi	5,873,070 A	2/1999	Bunte et al.
5,028,083 A	7/1991	Mischenko	5,890,074 A	3/1999	Rydbeck et al.
5,056,161 A	10/1991	Breen	5,895,729 A	4/1999	Phelps, III et al.
D321,879 S	11/1991	Emmerling	D409,137 S	5/1999	Sumita et al.
D326,655 S	6/1992	Iribe	5,905,632 A	5/1999	Seto et al.
5,155,659 A	10/1992	Kunert	D410,466 S	6/1999	Mouri
5,177,784 A	1/1993	Hu et al.	D410,921 S	6/1999	Luchs et al.
5,179,736 A	1/1993	Scanlon	D411,179 S	6/1999	Toyosato
D334,043 S	3/1993	Taniguschi	5,931,513 A	8/1999	Conti
5,197,332 A	3/1993	Shennib	5,933,330 A	8/1999	Buetler et al.
5,202,197 A	4/1993	Ansell et al.	5,935,729 A	8/1999	Mareno et al.
5,225,293 A	7/1993	Mitchell et al.	D413,582 S	9/1999	Tompkins
5,251,105 A	10/1993	Kobayashi et al.	D414,470 S	9/1999	Chacon et al.
D341,567 S	11/1993	Acker et al.	5,991,085 A	11/1999	Rallison
5,267,181 A	11/1993	George	5,999,085 A	12/1999	Szwarc et al.
5,281,957 A	1/1994	Schoolman	6,016,347 A	1/2000	Magnasco et al.
D344,494 S	2/1994	Cardenas	6,021,207 A	2/2000	Puthuff et al.
D344,522 S	2/1994	Taniguchi	D422,962 S	4/2000	Shevlin et al.
5,305,244 A	4/1994	Newman et al.	6,051,334 A	4/2000	Tsurumaru et al.
5,369,857 A	12/1994	Sacherman et al.	D424,035 S	5/2000	Steiner et al.
5,371,679 A	12/1994	Abe et al.	6,060,193 A	5/2000	Remes et al.
5,381,486 A	1/1995	Ludeke	6,071,640 A	6/2000	Robertson, Jr. et al.
5,406,037 A	4/1995	Nageno et al.	6,075,857 A	6/2000	Doss, Jr.
5,438,626 A	8/1995	Neuman et al.	6,078,825 A	6/2000	Hahn et al.
5,446,788 A	8/1995	Lucey	6,084,556 A	7/2000	Zwern
5,469,505 A	11/1995	Gatley	6,085,428 A	7/2000	Casby
5,479,001 A	12/1995	Kumar	6,091,546 A	7/2000	Spitzer
D367,256 S	2/1996	Tokunaga	D430,158 S	8/2000	Bhatia et al.
5,491,651 A	2/1996	Janik	D430,159 S	8/2000	Bhatia et al.
5,501,571 A	3/1996	Van Durrett et al.	6,101,260 A	8/2000	Jensen et al.
5,515,303 A	5/1996	Cargin, Jr. et al.	6,114,625 A	9/2000	Hughes et al.
5,535,437 A	7/1996	Karl et al.	6,120,932 A	9/2000	Slipy et al.
5,553,312 A	9/1996	Gatley	D431,562 S	10/2000	Bhatia et al.
5,555,490 A	9/1996	Carroll	6,127,990 A	10/2000	Zwern
5,555,554 A	9/1996	Hofer	6,136,467 A	10/2000	Phelps, III et al.
5,572,401 A	11/1996	Carroll	6,137,868 A	10/2000	Leach
5,579,400 A	11/1996	Ballein	6,137,879 A	10/2000	Papadopoulos
D376,598 S	12/1996	Hayashi	6,154,669 A	11/2000	Hunter
5,581,492 A	12/1996	Janik	D434,762 S	12/2000	Ikenaga
5,604,050 A	2/1997	Brunette et al.	6,157,533 A	12/2000	Sallam et al.
5,607,792 A	3/1997	Garcia et al.	6,160,702 A	12/2000	Lee et al.
D380,199 S	6/1997	Beruscha et al.	6,167,413 A	12/2000	Daley, III
5,637,417 A	6/1997	Engmark et al.	D436,104 S	1/2001	Bhatia et al.
5,665,485 A	9/1997	Kuwayama et al.	6,171,138 B1	1/2001	Lefebvre et al.
5,671,037 A	9/1997	Ogasawara et al.	6,179,192 B1	1/2001	Weinger et al.
5,680,465 A	10/1997	Boyden	6,188,985 B1	2/2001	Thrift et al.
D385,855 S	11/1997	Ronzani	6,190,795 B1	2/2001	Daley
D387,898 S	12/1997	Ronzani	D440,966 S	4/2001	Ronzani
D390,552 S	2/1998	Ronzani	6,225,777 B1	5/2001	Garcia et al.
D391,234 S	2/1998	Chacon et al.	6,226,622 B1	5/2001	Dabbiere
5,716,730 A	2/1998	Deguchi	6,229,694 B1	5/2001	Kono
5,719,743 A	2/1998	Jenkins et al.	6,230,029 B1	5/2001	Hahn et al.
			6,235,420 B1	5/2001	Ng

US D567,799 S

Page 3

6,237,051 B1	5/2001	Collins	D507,523 S	7/2005	Resch et al.
D443,870 S	6/2001	Carpenter et al.	D512,417 S	12/2005	Hirakawa et al.
6,261,715 B1	7/2001	Nakamura et al.	D512,985 S	12/2005	Travers et al.
D449,289 S	10/2001	Weikel et al.	D519,497 S	4/2006	Komiyama
6,302,454 B1	10/2001	Tsurumaru et al.	7,052,799 B2	5/2006	Zatezalo et al.
6,304,430 B1	10/2001	Laine et al.	D524,794 S	7/2006	Kim
6,304,459 B1	10/2001	Toyosato et al.	D525,237 S	7/2006	Viduya et al.
6,310,888 B1	10/2001	Hamlin	D549,216 S	8/2007	Viduya
6,324,053 B1	11/2001	Kamijo	D549,217 S	8/2007	Viduya
D451,903 S	12/2001	Amae et al.	D549,694 S	8/2007	Viduya et al.
D451,907 S	12/2001	Amae et al.	D551,615 S	9/2007	Wahl
6,325,507 B1	12/2001	Jannard et al.	D552,595 S	10/2007	Viduya
6,326,543 B1	12/2001	Lamp et al.	2001/0004310 A1	6/2001	Kono
6,327,152 B1	12/2001	Saye	2001/0017926 A1	8/2001	Vicamini
6,339,764 B1	1/2002	Livesay et al.	2001/0036058 A1	11/2001	Jenks et al.
6,349,001 B1	2/2002	Spitzer	2001/0046305 A1	11/2001	Muranami et al.
6,353,313 B1	3/2002	Estep et al.	2001/0048586 A1	12/2001	Itou et al.
6,356,635 B1	3/2002	Lyman et al.	2002/0003889 A1	1/2002	Fischer
6,357,534 B1	3/2002	Buetow et al.	2002/0009191 A1	1/2002	Lucey et al.
6,359,603 B1	3/2002	Zwern	2002/0012832 A1	1/2002	White et al.
6,359,777 B1	3/2002	Newman et al.	2002/0015008 A1	2/2002	Kishida
6,359,995 B1	3/2002	Ou	2002/0025455 A1	2/2002	Yoneyama
6,369,952 B1	4/2002	Rallison et al.	2002/0034683 A1	3/2002	Takeshita et al.
6,371,535 B2	4/2002	Wei et al.	2002/0076060 A1	6/2002	Hall et al.
6,373,693 B1	4/2002	Seto et al.	2002/0080987 A1	6/2002	Almqvist
6,373,942 B1	4/2002	Braund	2002/0085733 A1	7/2002	Cottrell
6,374,126 B1	4/2002	MacDonald, Jr. et al.	2002/0131616 A1	9/2002	Bronnikov et al.
6,376,942 B1	4/2002	Burger et al.	2002/0194004 A1	12/2002	Ginski et al.
D457,133 S	5/2002	Yoneyama	2002/0194005 A1	12/2002	Lahr
6,384,591 B1	5/2002	Estep et al.	2003/0068061 A1	4/2003	Huang
6,384,982 B1	5/2002	Spitzer	2003/0095525 A1	5/2003	Levin et al.
6,386,107 B1	5/2002	Rancourt	2003/0118197 A1	6/2003	Nagayasu et al.
6,394,278 B1	5/2002	Reed	2003/0130852 A1	7/2003	Tanaka et al.
6,434,251 B1	8/2002	Jensen et al.	2003/0171921 A1	9/2003	Manabe
6,445,175 B1	9/2002	Estep et al.	2004/0024586 A1	2/2004	Andersen
D463,784 S	10/2002	Taylor et al.	2004/0063475 A1	4/2004	Weng
D466,497 S	12/2002	Wikei et al.	2004/0091129 A1	5/2004	Jensen et al.
6,511,770 B2	1/2003	Chang	2004/0137969 A1	7/2004	Nassimi
6,581,782 B2	6/2003	Reed	2004/0193411 A1	9/2004	Hui et al.
6,660,427 B1	12/2003	Hukill et al.	2004/0203521 A1	10/2004	Nassimi
6,697,465 B1	2/2004	Goss	2005/0070337 A1	3/2005	Byford et al.
D488,146 S	4/2004	Minto	2005/0157903 A1	7/2005	Bech
D488,461 S	4/2004	Okada et al.			
D491,917 S	6/2004	Asai			
6,745,014 B1	6/2004	Seibert et al.			
6,754,361 B1	6/2004	Hall et al.			
6,754,632 B1	6/2004	Kalinowski et al.			
6,769,762 B2	8/2004	Saito et al.			
6,769,767 B2	8/2004	Swab et al.			
6,778,676 B2	8/2004	Groth et al.			
6,826,532 B1	11/2004	Casby et al.			
6,847,336 B1	1/2005	Lemelson et al.			
D506,065 S	6/2005	Sugino et al.			
6,909,546 B2	6/2005	Hirai			

OTHER PUBLICATIONS

Vocollect Speech Recognition Headsets brochure—SR 30 Series Talkman High-Noise Headset. Copyright 2005.
 Vocollect SR 20 Talkman Lightweight Headset Product Information Sheet. Copyright Aug. 2004.
 Photographs 1-7 SR Talkman Headset Aug. 2004—prior art; Photographs 1-8 SR 30 Talkman Headset.
 Vocollect SR 20 Talkman Lightweight Headset Brochure. Copyright Aug. 2004.

* cited by examiner

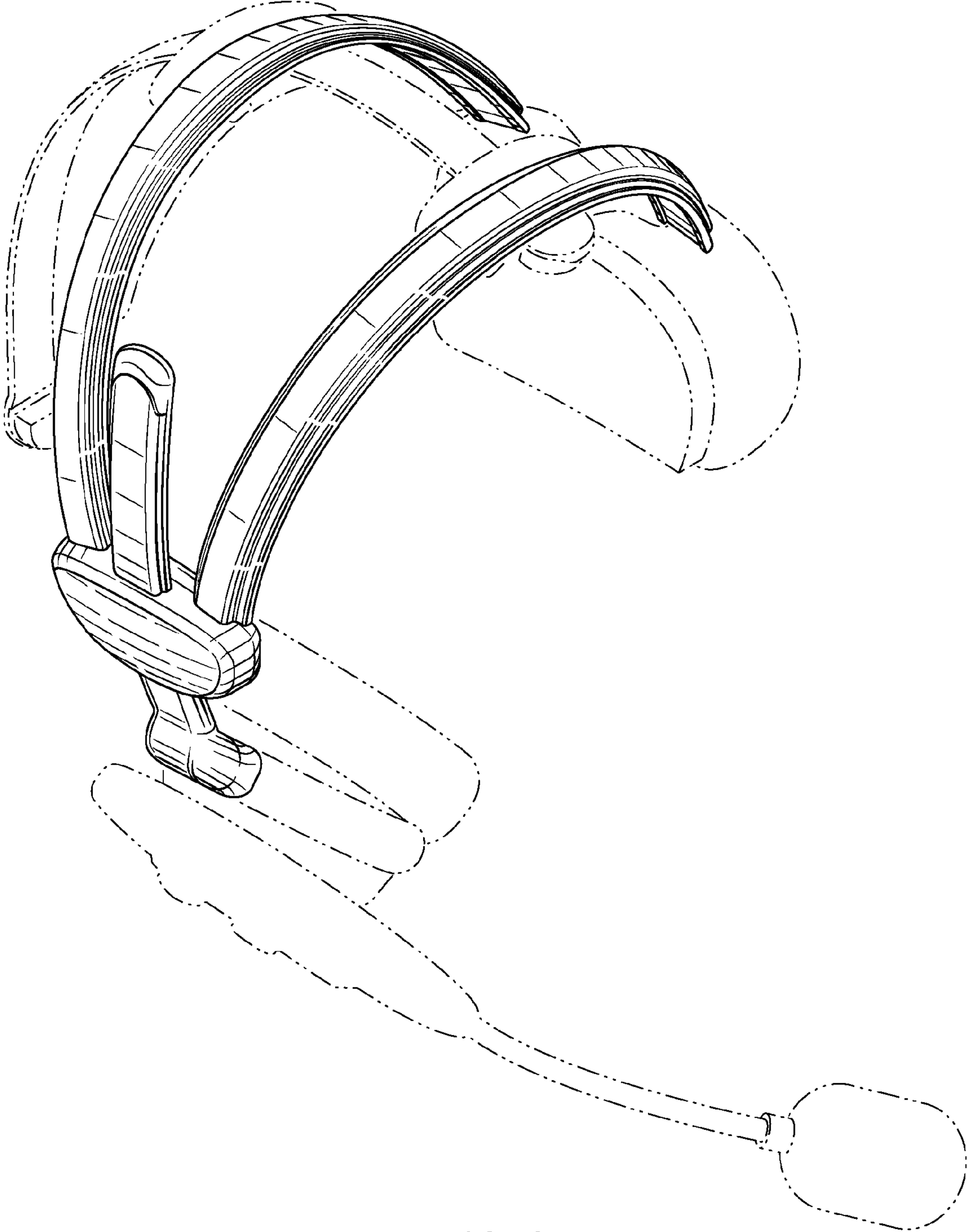


FIG. 1

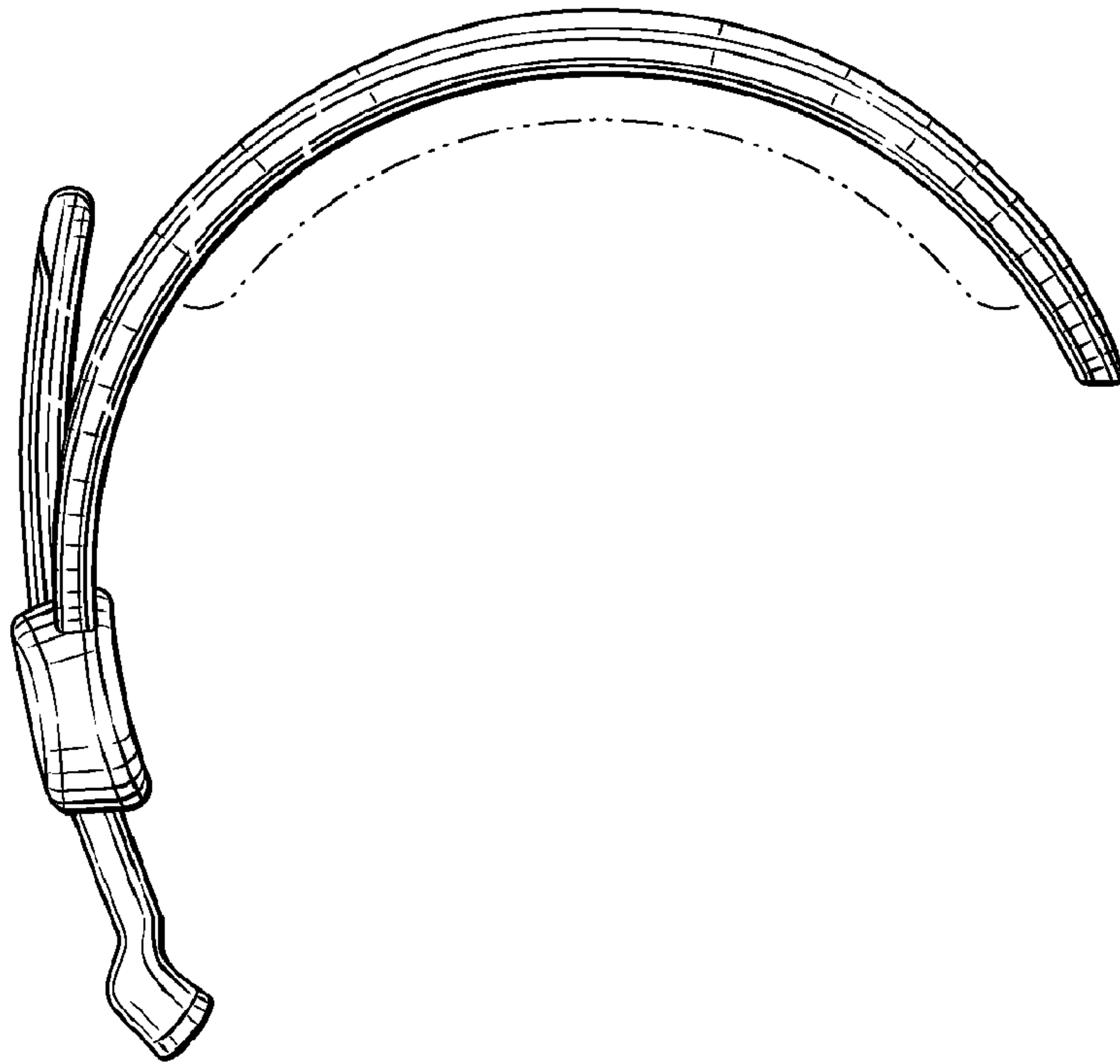


FIG. 2

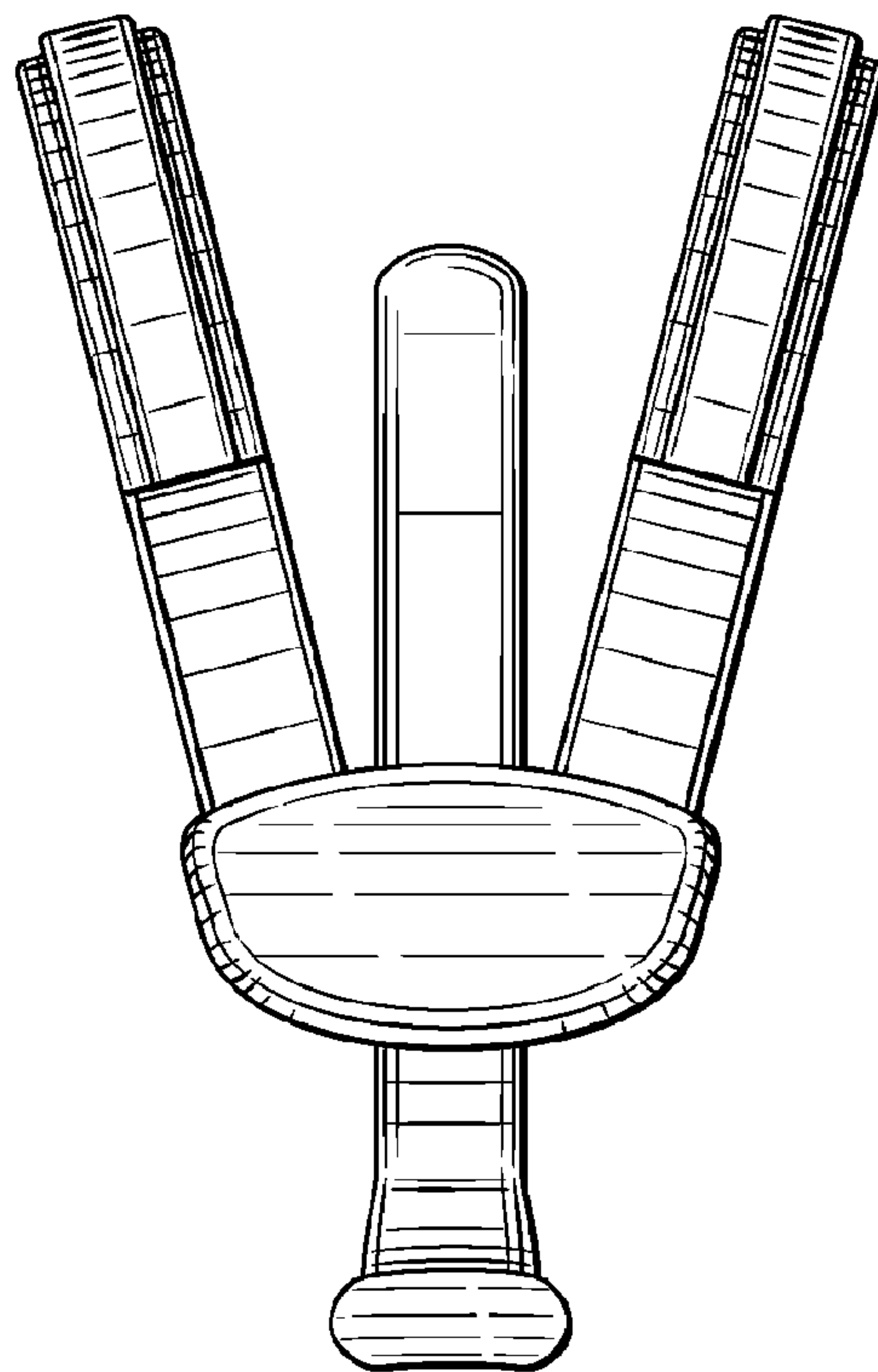


FIG. 3

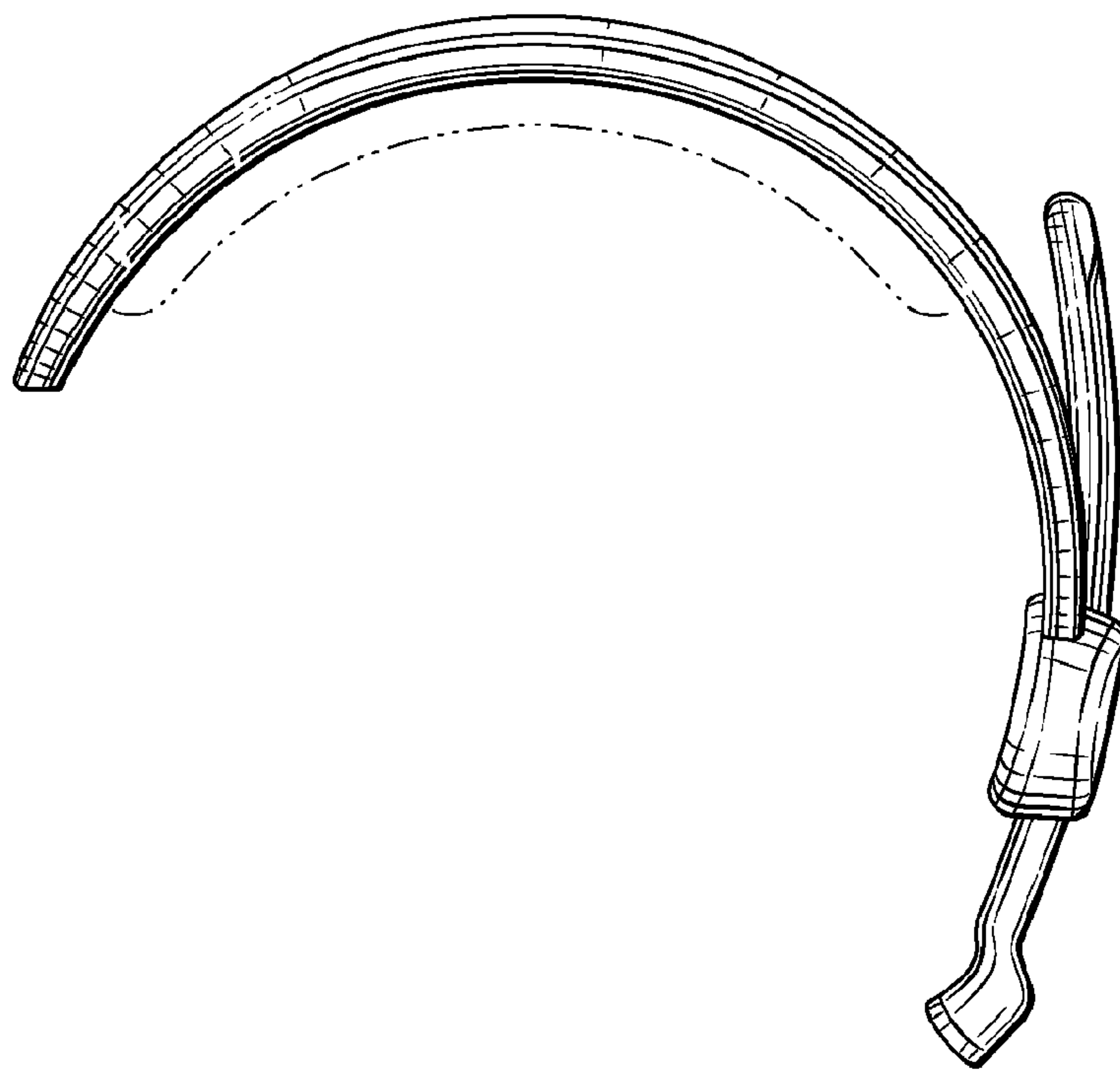


FIG. 4

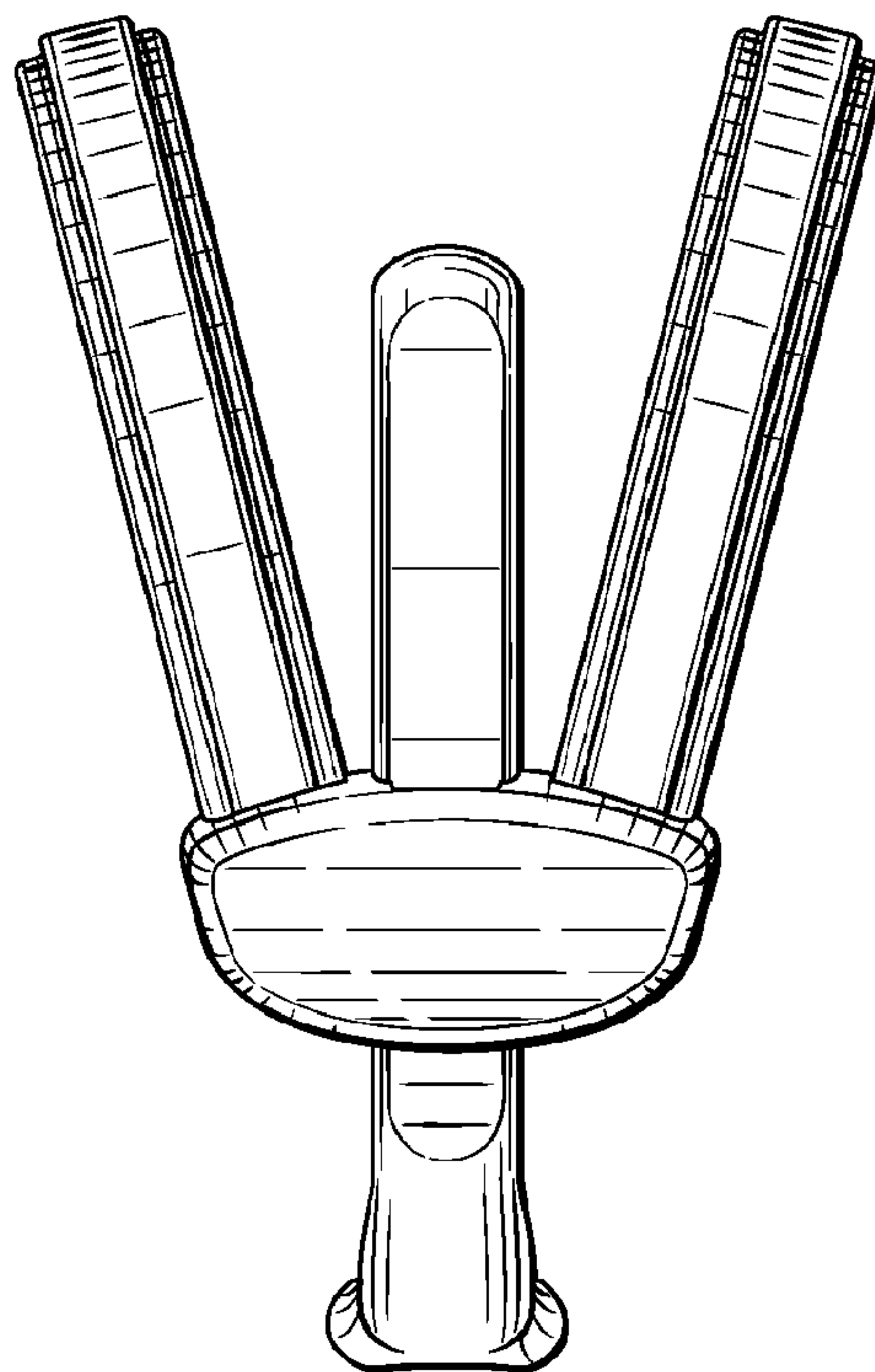


FIG. 5

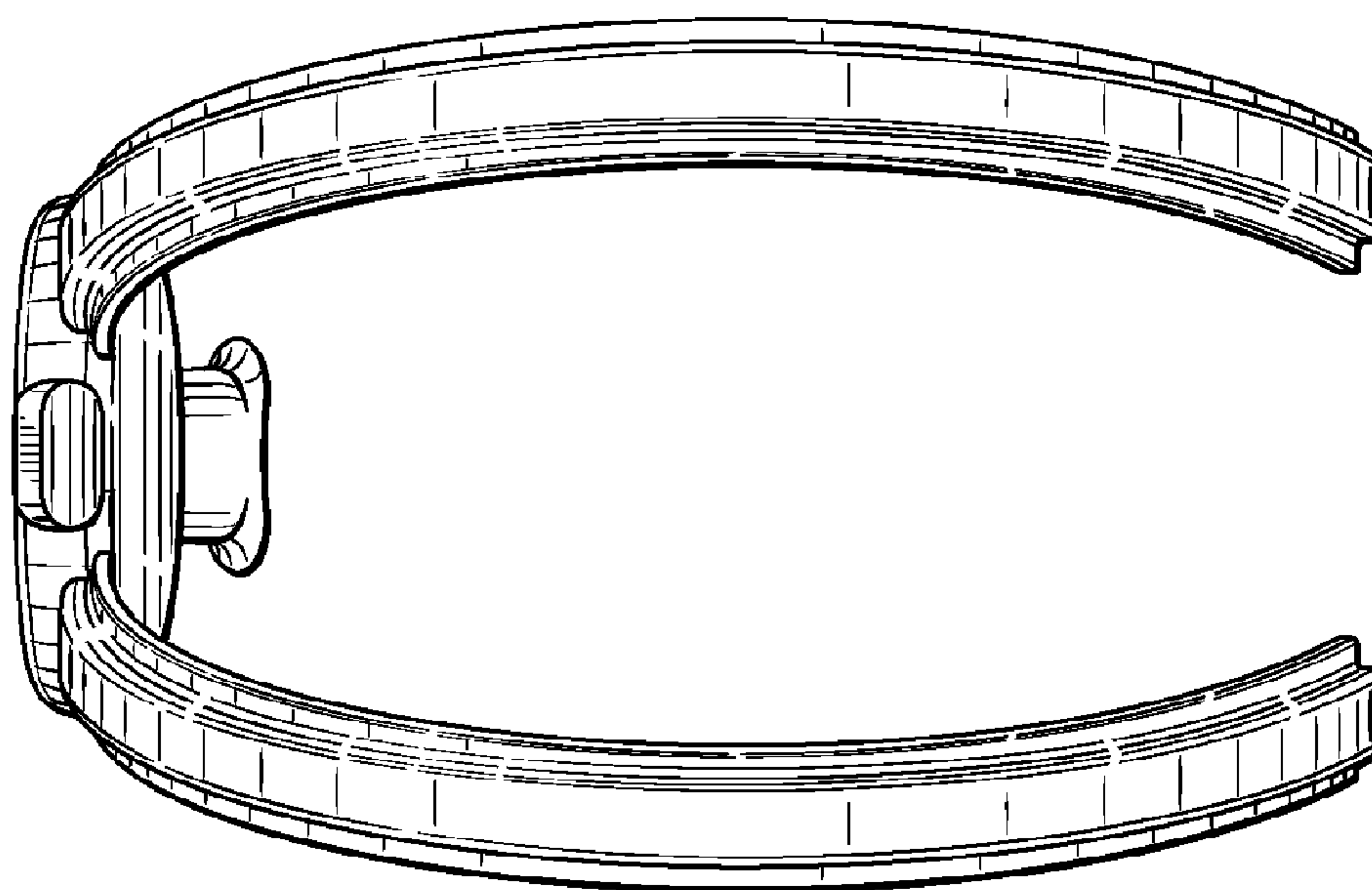


FIG. 6

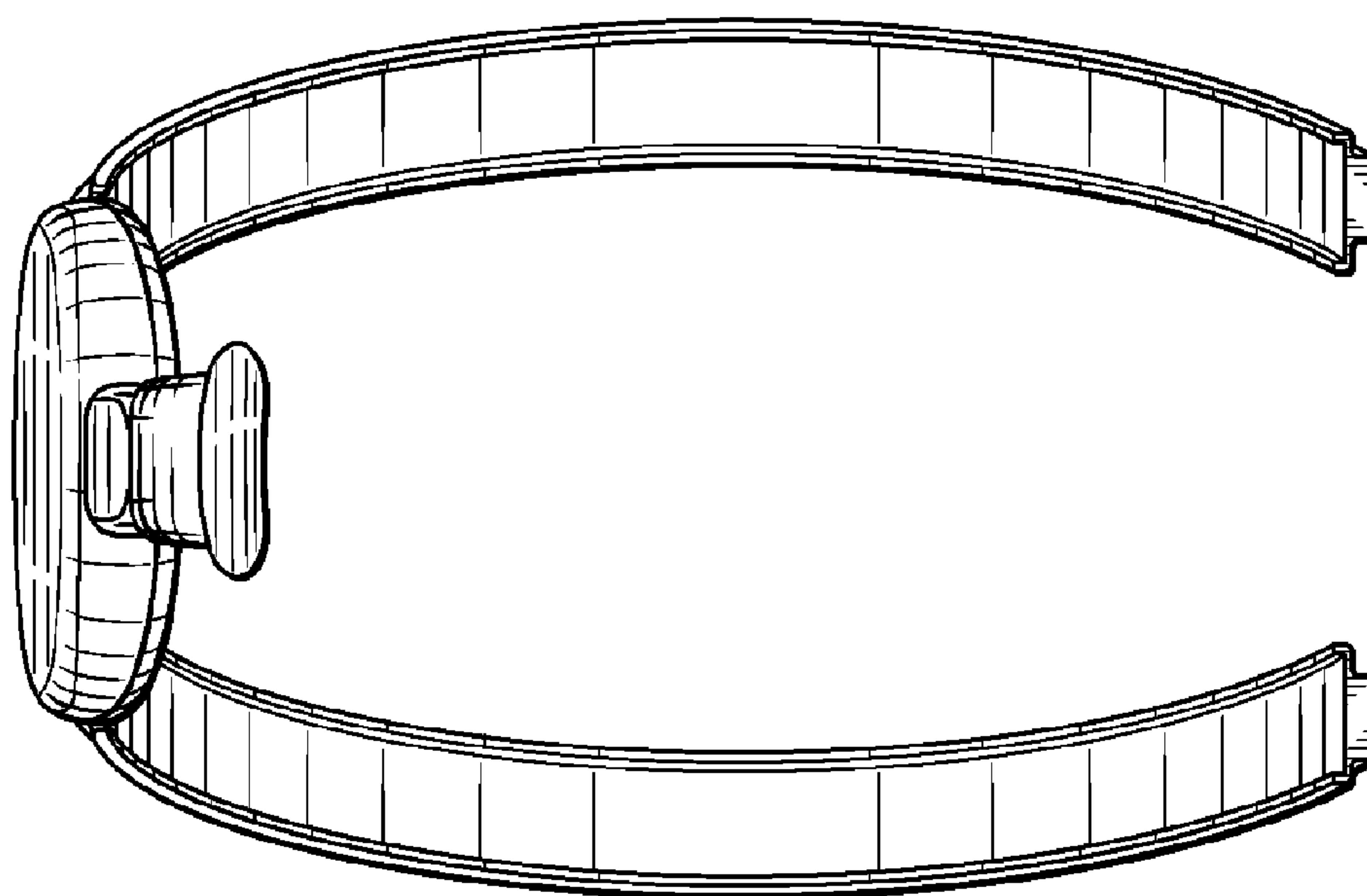


FIG. 7