

US00D567798S

(12) **United States Design Patent**
Oka

(10) **Patent No.:** **US D567,798 S**

(45) **Date of Patent:** **** Apr. 29, 2008**

(54) **IC RECORDER**

(75) Inventor: **Hiroki Oka**, Tokyo (JP)

(73) Assignee: **Sony Corporation**, Tokyo (JP)

(**) Term: **14 Years**

(21) Appl. No.: **29/274,188**

(22) Filed: **Apr. 4, 2007**

(30) **Foreign Application Priority Data**

Jan. 22, 2007 (JP) D2007-001046

(51) **LOC (8) Cl.** **14-01**

(52) **U.S. Cl.** **D14/167**

(58) **Field of Classification Search** D14/167,
D14/154, 168, 188, 496, 156, 160, 161, 162,
D14/163, 164, 165, 192; D16/208; D26/38;
455/351, 350

See application file for complete search history.

(56) **References Cited**

U.S. PATENT DOCUMENTS

D298,238 S	*	10/1988	Takata et al.	D14/165
D302,544 S	*	8/1989	Spira	D13/168
D306,853 S	*	3/1990	Mayo et al.	D13/168
D398,605 S	*	9/1998	Murray et al.	D14/137
D419,464 S	*	1/2000	Chang	D10/78
D427,176 S		6/2000	Obata		
D438,857 S		3/2001	Ishii		
D446,736 S	*	8/2001	Chen	D10/78
D450,309 S		11/2001	Ishii et al.		

D472,885 S	*	4/2003	Kataoka	D14/167
D473,207 S	*	4/2003	Tanio	D14/168
D473,535 S		4/2003	Ishii		
D484,482 S	*	12/2003	Tanio	D14/167
D486,466 S		2/2004	Tanaka		
D500,485 S	*	1/2005	Deguchi	D14/167
D507,557 S	*	7/2005	Meguro	D14/167
D510,334 S		10/2005	Isono		
D512,403 S	*	12/2005	Yang	D14/156
D517,522 S	*	3/2006	Tajima	D14/167

* cited by examiner

Primary Examiner—Cathron C. Brooks

Assistant Examiner—Austin Murphy

(74) *Attorney, Agent, or Firm*—Rader, Fishman & Grauer, PLLC

(57) **CLAIM**

The ornamental design for an IC recorder, as shown.

DESCRIPTION

FIG. 1 is a perspective view of an IC recorder showing my new design;

FIG. 2 is a front elevational view thereof;

FIG. 3 is a rear elevational view thereof;

FIG. 4 is a left side elevational view thereof;

FIG. 5 is a right side elevational view thereof;

FIG. 6 is a top plan view thereof; and,

FIG. 7 is a bottom plan view thereof.

1 Claim, 7 Drawing Sheets

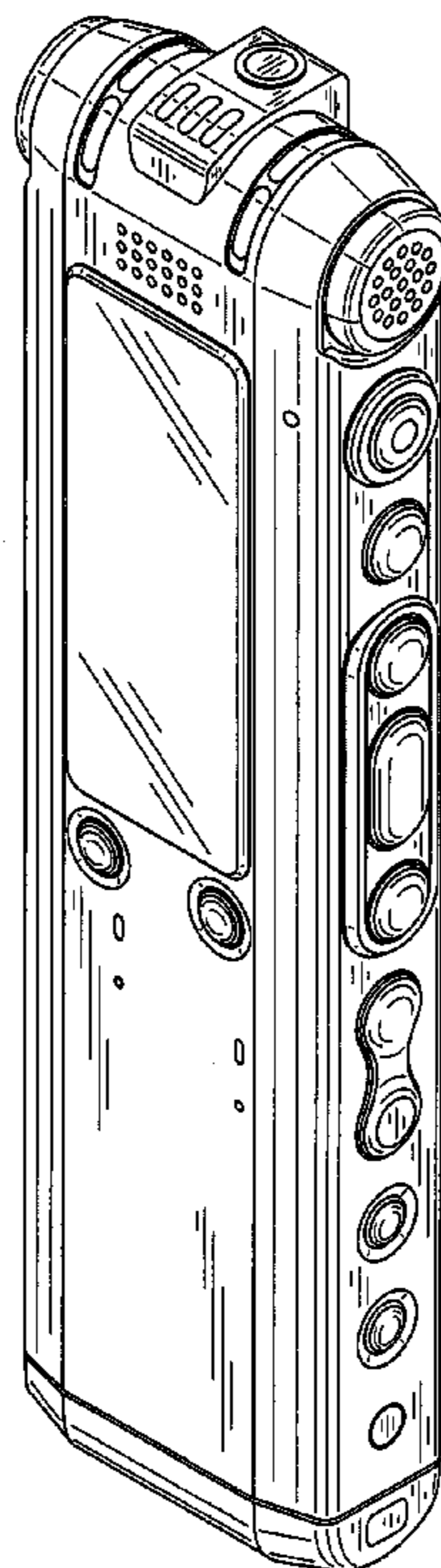


Fig. 1

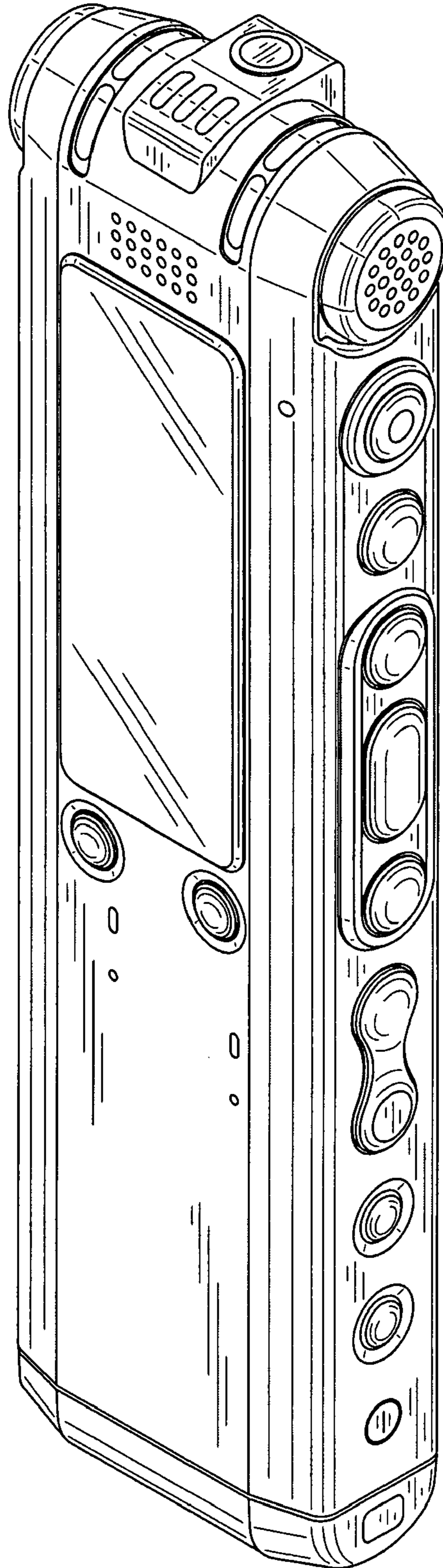


Fig.2

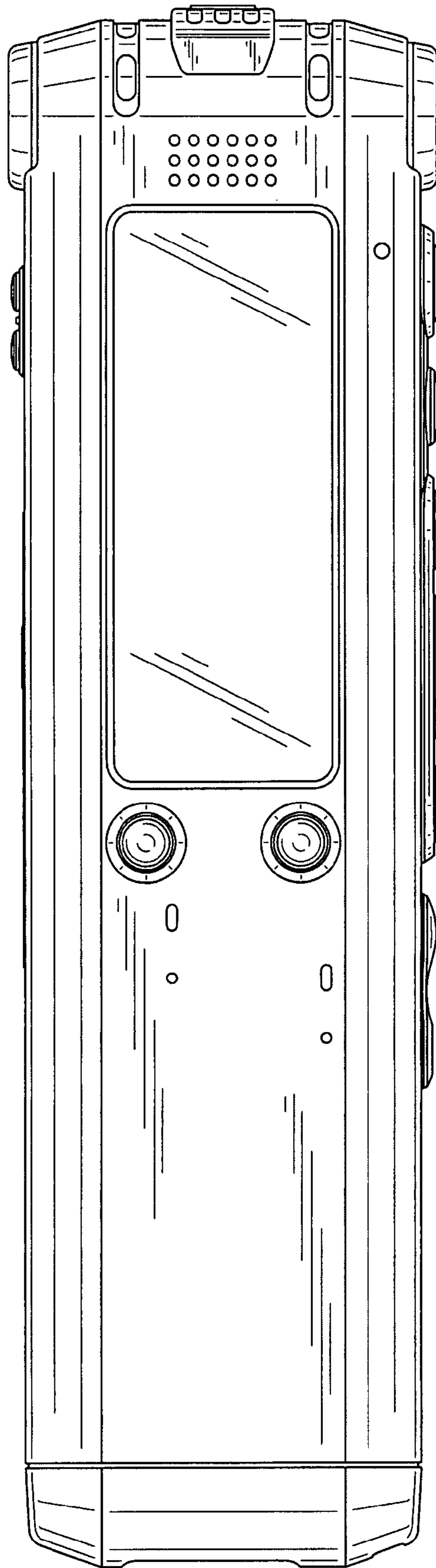


Fig.3

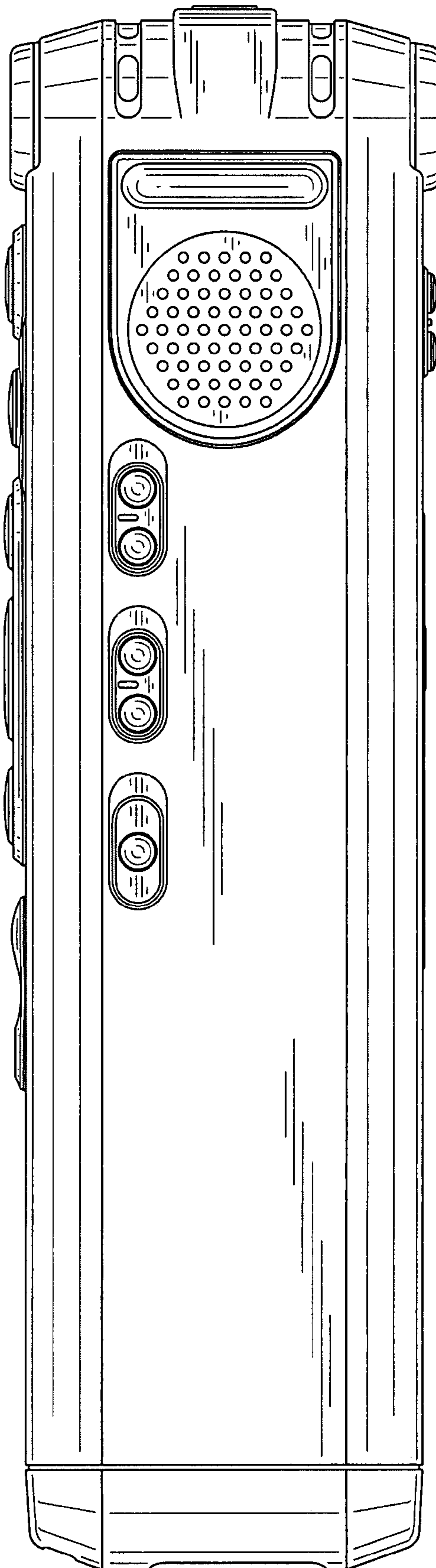


Fig.4

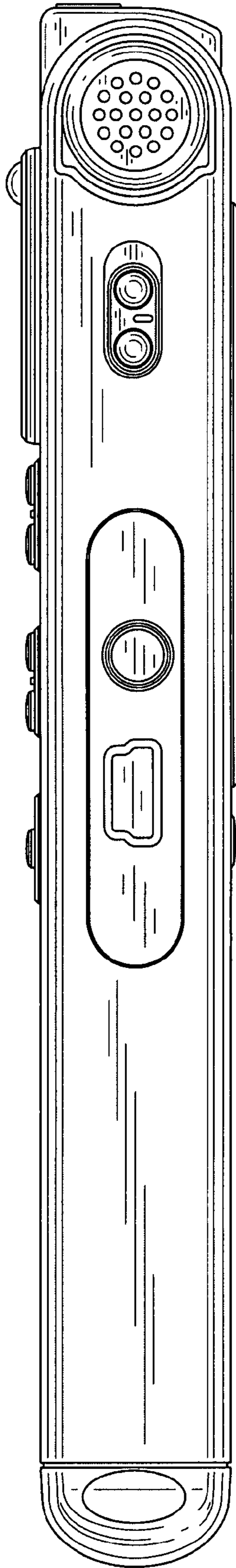


Fig.5

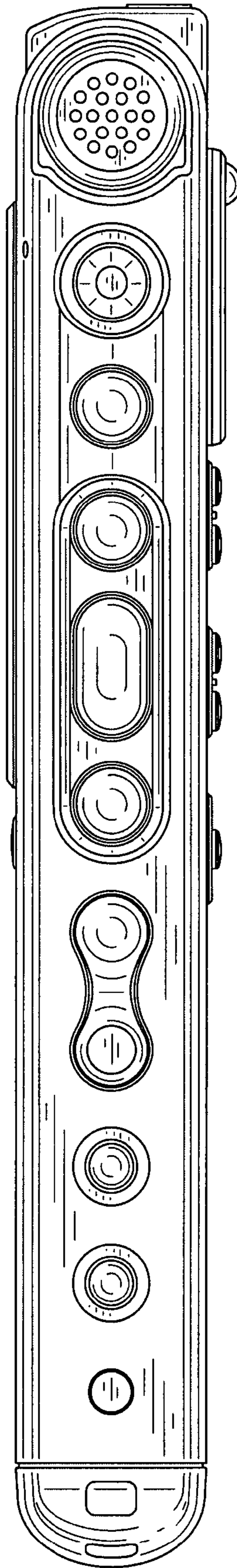


Fig.6

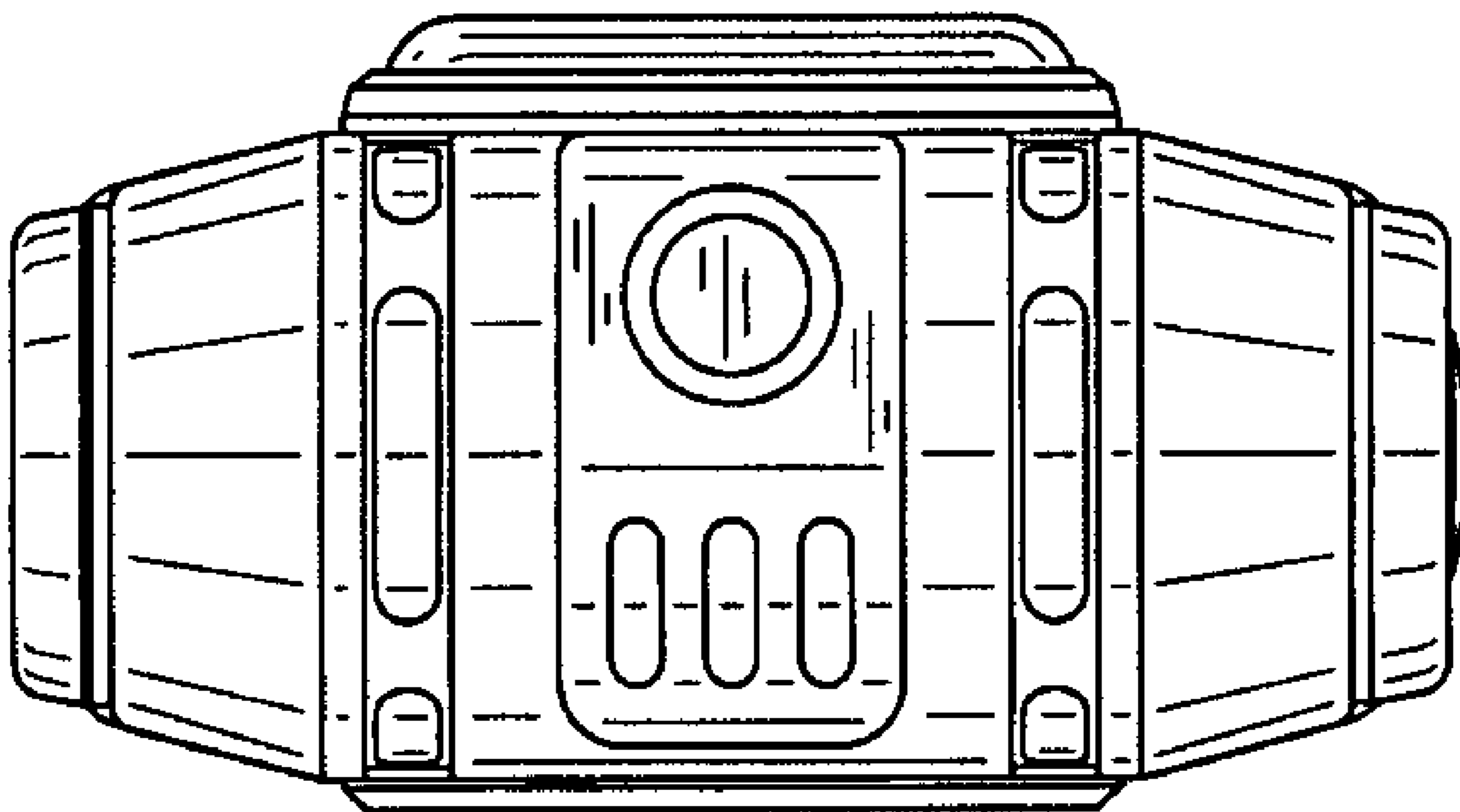


Fig.7

