



US00D567795S

(12) **United States Design Patent**
Cha et al.

(10) **Patent No.:** **US D567,795 S**

(45) **Date of Patent:** **** Apr. 29, 2008**

(54) **PORTABLE PHONE**

(75) Inventors: **Seong-Won Cha**, Seoul (KR);
Yoon-Young Cho, Seoul (KR);
Chang-Soo Lee, Incheon (KR)

(73) Assignee: **Samsung Electronics Co., Ltd.**,
Suwon-Si (KR)

(**) Term: **14 Years**

(21) Appl. No.: **29/287,031**

(22) Filed: **Jun. 20, 2007**

(30) **Foreign Application Priority Data**

Dec. 29, 2006 (KR) 30-2006-0052029

(51) **LOC (8) Cl.** **14-03**

(52) **U.S. Cl.** **D14/138**

(58) **Field of Classification Search** D14/138,
D14/496, 137, 147, 191, 218, 247-248, 341-347;
D13/168; D18/7; 455/575.4, 90.3, 556.1,
455/556.2, 575.1, 575.3; 379/433.01-433.13;
361/814; 348/14.02

See application file for complete search history.

(56) **References Cited**

U.S. PATENT DOCUMENTS

D509,813 S *	9/2005	Miyazawa et al.	D14/138
D529,465 S *	10/2006	Kim et al.	D14/138
D529,471 S *	10/2006	Park	D14/138
D531,531 S *	11/2006	Chen	D10/65
D534,143 S *	12/2006	Lheem	D14/138
D534,145 S *	12/2006	Lheem	D14/138
D534,515 S *	1/2007	Kim et al.	D14/138
D534,517 S *	1/2007	Cho et al.	D14/138
D534,888 S *	1/2007	Kim et al.	D14/138
D534,890 S *	1/2007	Kim	D14/138
D535,637 S *	1/2007	Park et al.	D14/138
D536,690 S *	2/2007	Lee	D14/138
D544,459 S *	6/2007	Wang	D14/138
D546,313 S *	7/2007	Lheem	D14/138
D548,219 S *	8/2007	Hwang	D14/138

D549,205 S *	8/2007	Cho	D14/138
D550,191 S *	9/2007	Cho et al.	D14/138
D551,201 S *	9/2007	Kim et al.	D14/138
D554,149 S *	10/2007	Kim	D14/496
7,302,127 B1 *	11/2007	Alameh et al.	385/14
D558,717 S *	1/2008	Baik et al.	D14/138
2005/0014538 A1 *	1/2005	Hyun et al.	455/575.4
2005/0049019 A1 *	3/2005	Lee	455/575.4
2006/0025184 A1 *	2/2006	Cho et al.	455/575.4
2006/0234786 A1 *	10/2006	Taniguchi et al.	455/575.4
2007/0232361 A1 *	10/2007	Park et al.	455/566

OTHER PUBLICATIONS

Sharp TM100, announced 1st quarter 2004, [online], [retrieved on Feb. 20, 2007]. Retrieved from Internet ,<URL: <http://www.gsmarena.com>>.*

(Continued)

Primary Examiner—Jeffrey D. Asch

Assistant Examiner—Bridget L Eland

(74) *Attorney, Agent, or Firm*—Staas & Halsey LLP

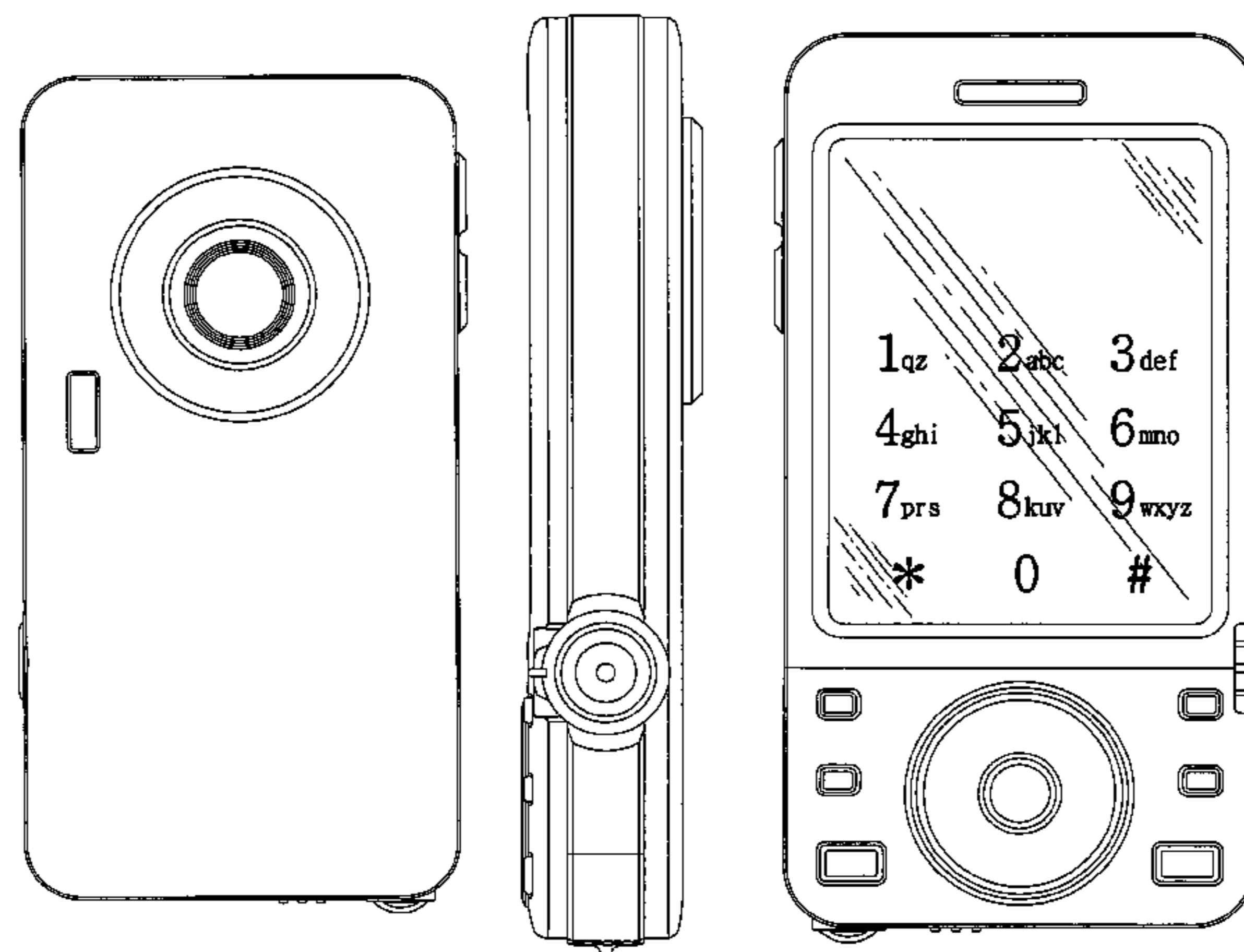
(57) **CLAIM**

The ornamental design for a portable phone, as shown and described.

DESCRIPTION

FIG. 1 is a perspective view of a portable phone;
 FIG. 2 is a front view of the portable phone of FIG. 1;
 FIG. 3 is a rear view of the portable phone of FIG. 1;
 FIG. 4 is a left-side view of the portable phone of FIG. 1;
 FIG. 5 is a right-side view of the portable phone of FIG. 1;
 FIG. 6 is a top plan view of the portable phone of FIG. 1;
 FIG. 7 is a bottom plan view of the portable phone of FIG. 1; and,
 FIG. 8 is another front view of the portable phone of FIG. 1 with the numeric keys displayed.

1 Claim, 5 Drawing Sheets



OTHER PUBLICATIONS

Gigabyte g-Smart t600, announced Feb. 2007, [online], [retrieved on Mar. 12, 2007]. Retrieved from Internet ,<URL: <http://www.gsmarena.com>>.*

Sony Ericsson S500, announced May 2007, [online], [retrieved on May 18, 2007]. Retrieved from Internet ,<URL: <http://www.gsmarena.com>>.*

Samsung F250, announced Aug. 2007, [online], [retrieved on Dec. 13, 2007]. Retrieved from Internet ,<URL: <http://www.gsmarena.com>>.*

* cited by examiner

FIG. 1

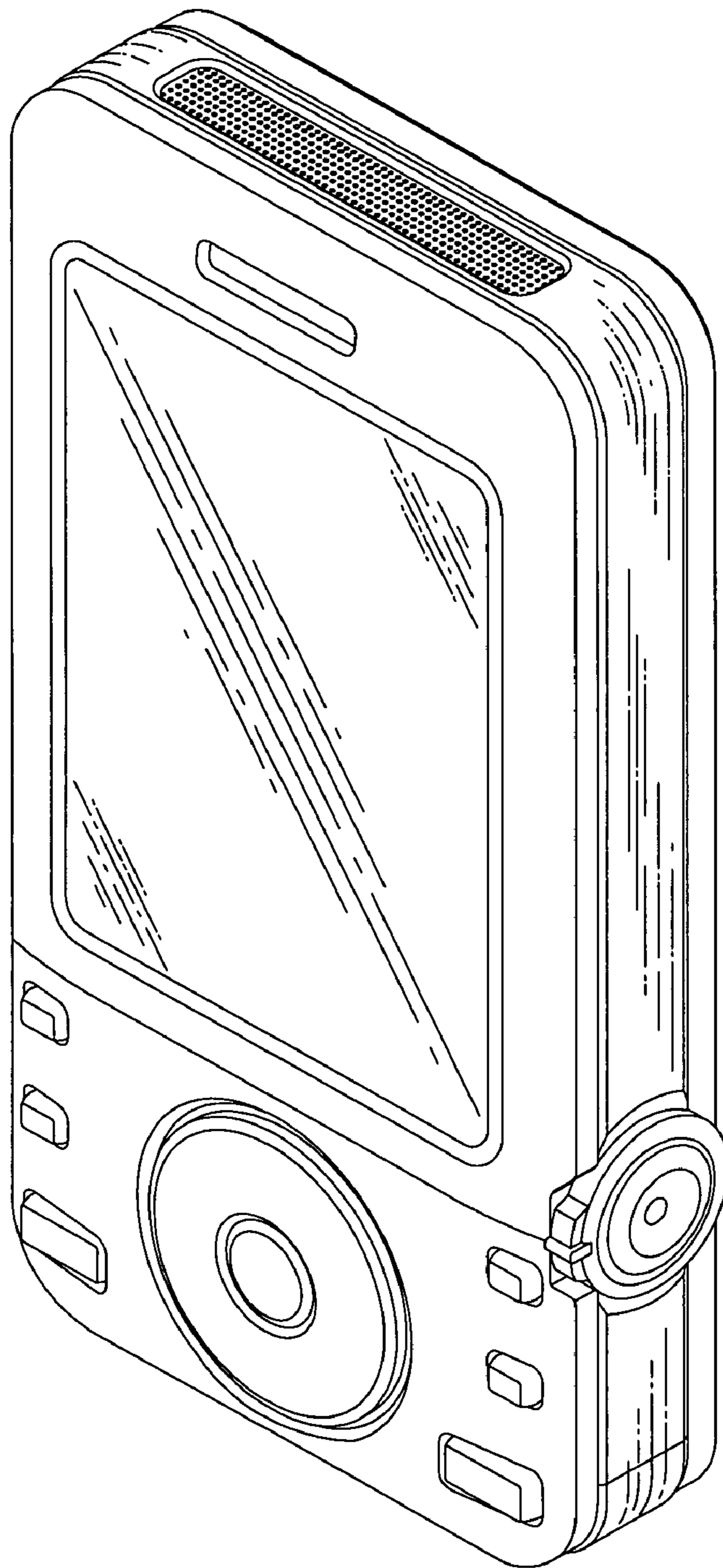


FIG. 2

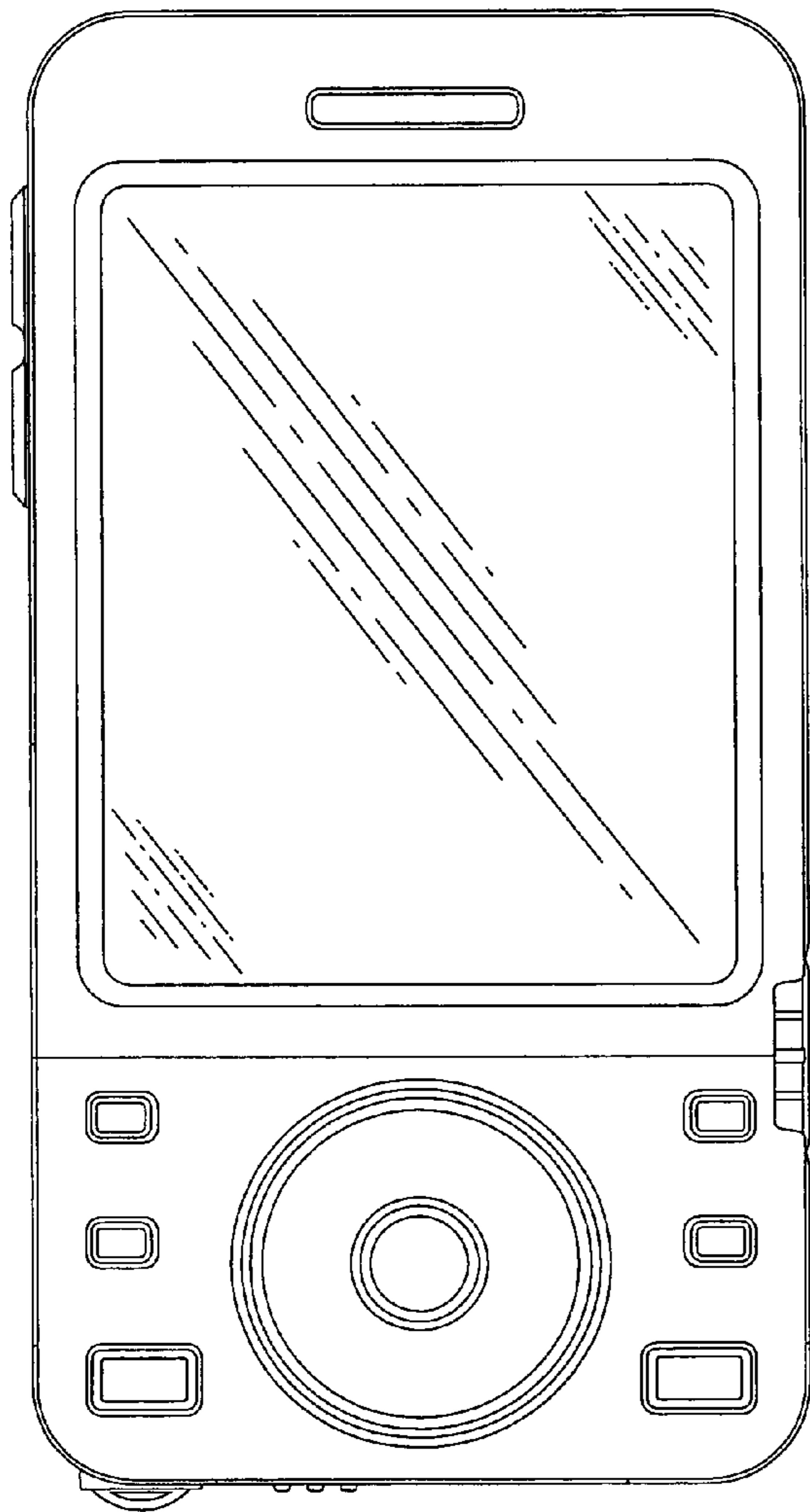


FIG. 3

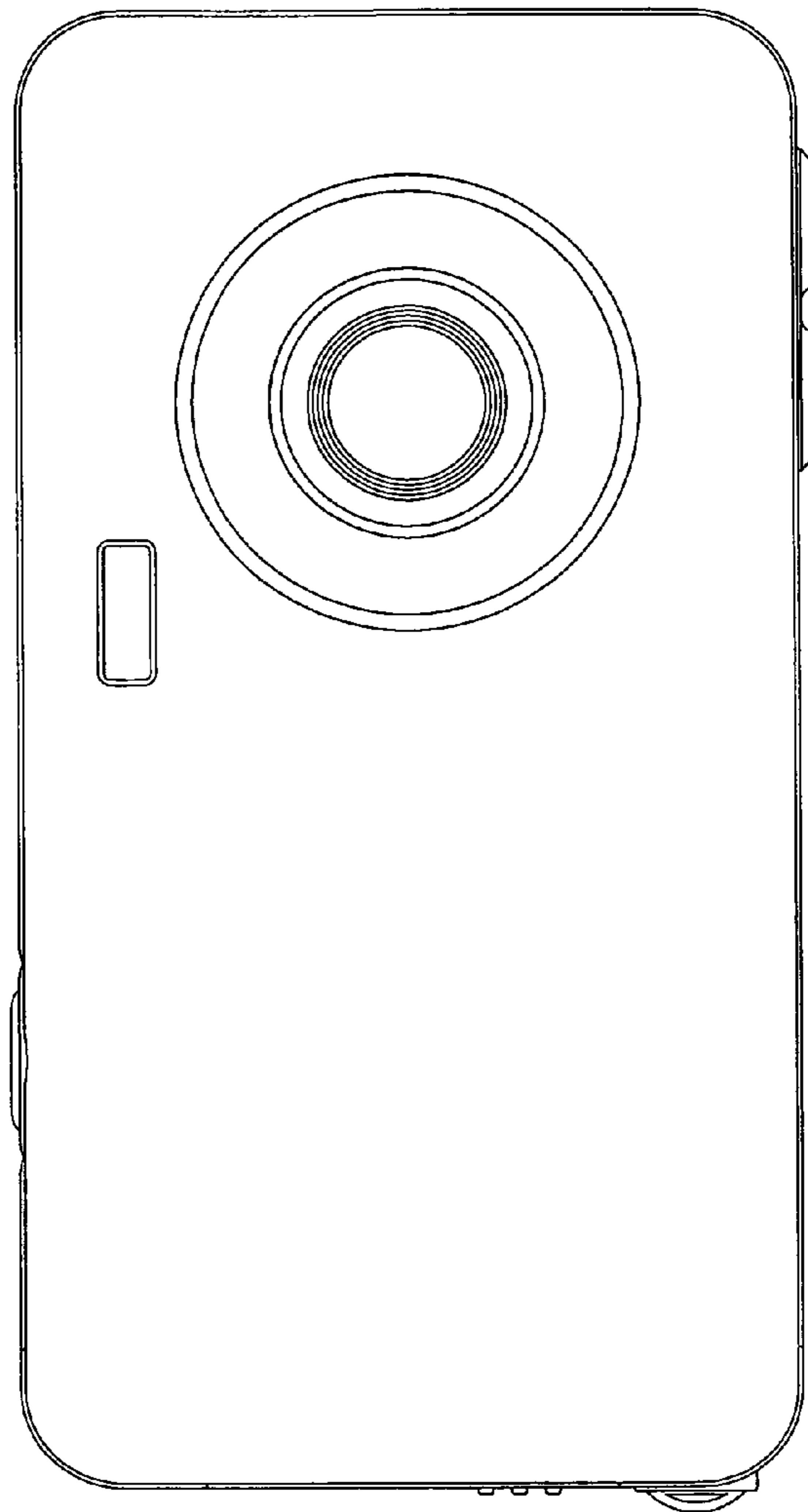


FIG. 4

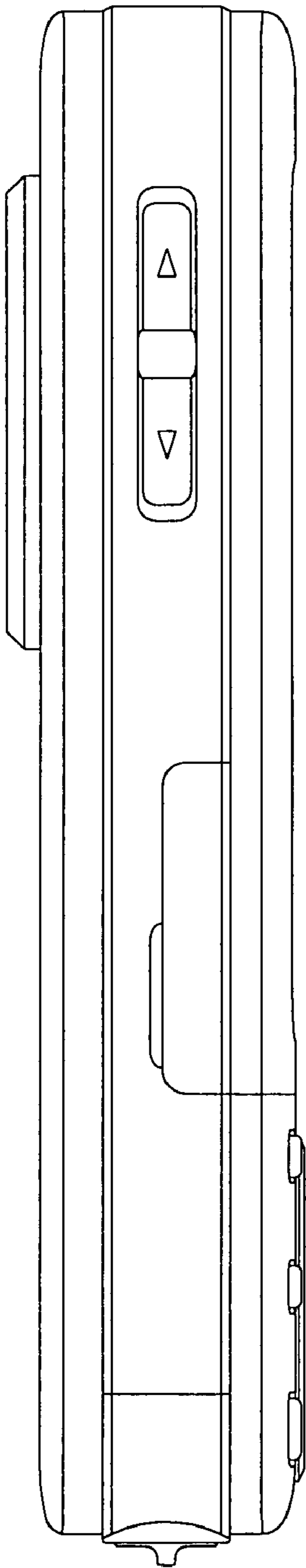


FIG. 5

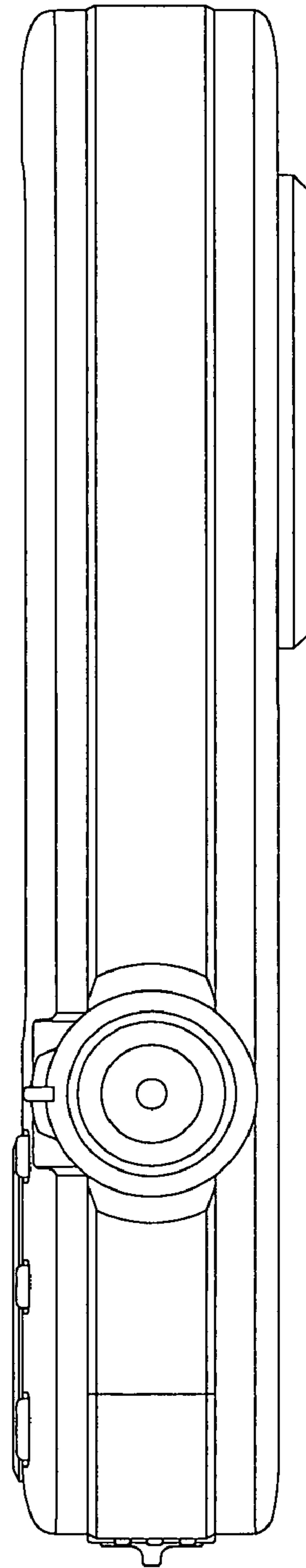


FIG. 6

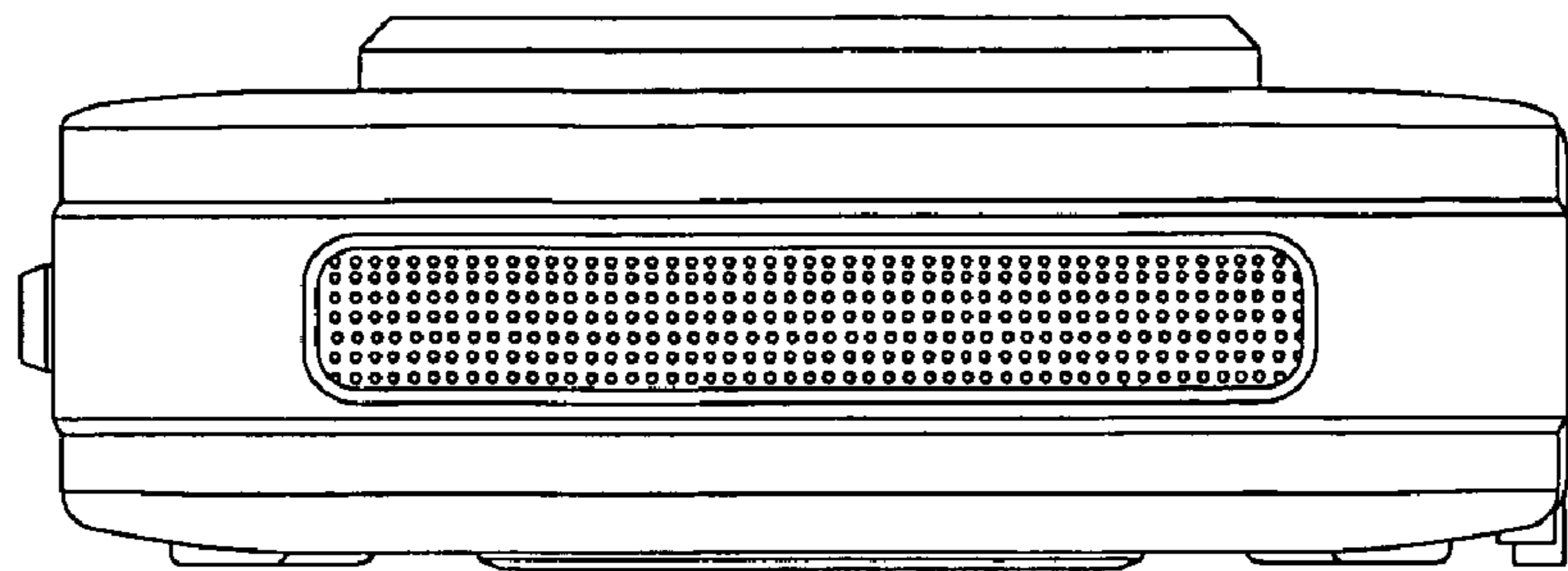


FIG. 7

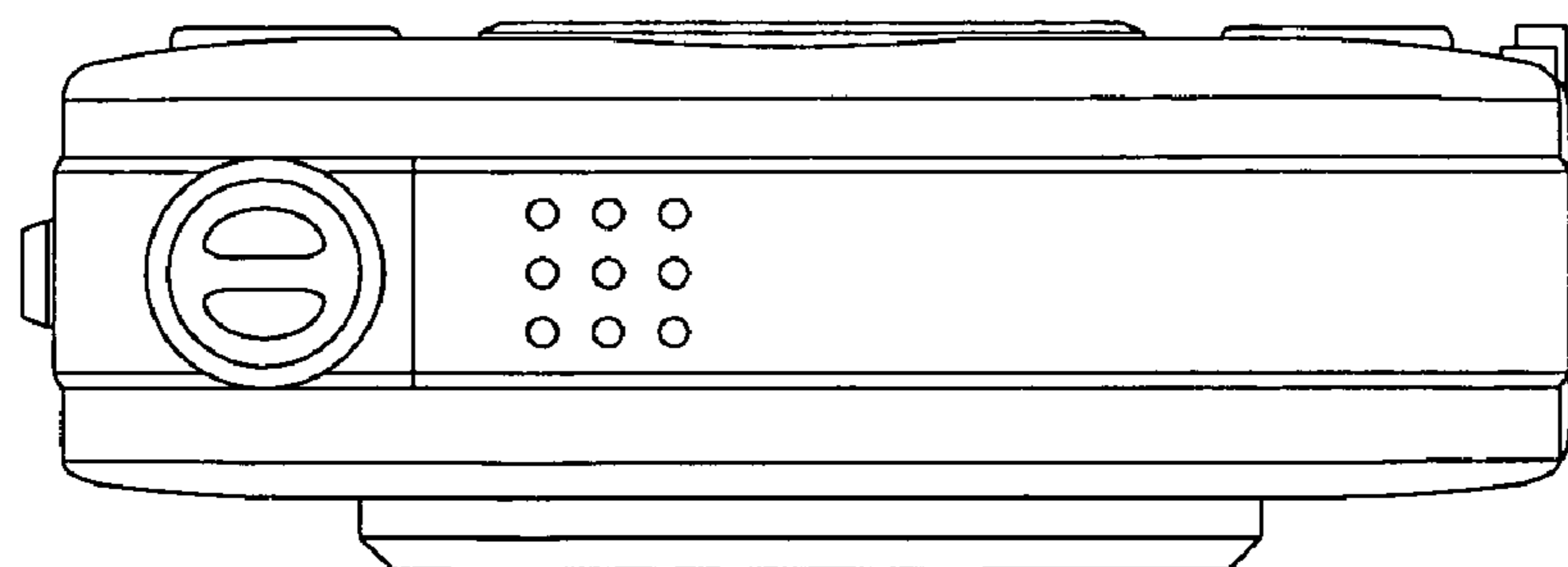


FIG. 8

