



US00D567793S

(12) **United States Design Patent**
Eguchi

(10) **Patent No.:** **US D567,793 S**
(45) **Date of Patent:** **** Apr. 29, 2008**

(54) **HANDSET**

(75) Inventor: **Shunjiro Eguchi**, Helsinki (FI)

(73) Assignee: **Nokia Corporation**, Espoo (FI)

(**) Term: **14 Years**

(21) Appl. No.: **29/277,429**

(22) Filed: **Feb. 26, 2007**

(30) **Foreign Application Priority Data**

Aug. 30, 2006 (FI) M20060163

(51) **LOC (8) Cl.** **14-03**

(52) **U.S. Cl.** **D14/138**

(58) **Field of Classification Search** D14/137,
D14/138, 147, 148, 150, 168, 191, 218, 247-248,
D14/341-347, 496; D10/65; D13/168; D18/7;
455/90.3, 556.1, 556.2, 575.1, 575.3, 575.4;
379/433.01-433.13; 361/814; 348/14.02
See application file for complete search history.

(56) **References Cited**

U.S. PATENT DOCUMENTS

D487,444 S * 3/2004 Yoon D14/138
D495,674 S * 9/2004 Yoo et al. D14/138

(Continued)

OTHER PUBLICATIONS

Samsung D700, announced 3rd quarter 2003, [online], [retrieved on Sep. 4, 2007]. Retrieved from Internet ,<URL: <http://www.gsmarena.com>>.*

Nokia N92, announced 4th quarter 2005, [online], [retrieved on Sep. 4, 2007]. Retrieved from Internet ,<URL: <http://www.gsmarena.com>>.*

Nokia N93, announced Apr. 2006, [online], [retrieved on Sep. 4, 2007]. Retrieved from Internet ,<URL: <http://www.gsmarena.com>>.*

Nokia N93i, announced Jan. 2007, [online], [retrieved on Sep. 4, 2007]. Retrieved from Internet ,<URL: <http://www.gsmarena.com>>.*

Primary Examiner—Jeffrey Asch
Assistant Examiner—Bridget L Eland
(74) *Attorney, Agent, or Firm*—Banner & Witcoff, Ltd.

(57) **CLAIM**

The ornamental design for a handset, key button area for a handset, and set of key buttons for a handset, as shown and described.

DESCRIPTION

FIG. 1 is a bottom plan view of a handset showing my new design;

FIG. 2 is a right side view thereof;

FIG. 3 is a front view thereof;

FIG. 4 is a left side view thereof;

FIG. 5 is a top plan view thereof;

FIG. 6 is a rear view thereof;

FIG. 7 is a perspective front view thereof;

FIG. 8 is a perspective rear view thereof;

FIG. 9 is a front view of the handset of FIGS. 1-8 in a first position;

FIG. 10 is a perspective front view thereof;

FIG. 11 is a rear view thereof;

FIG. 12 is a right side view thereof;

FIG. 13 is a left side perspective front view of FIGS. 1-8 in a second position;

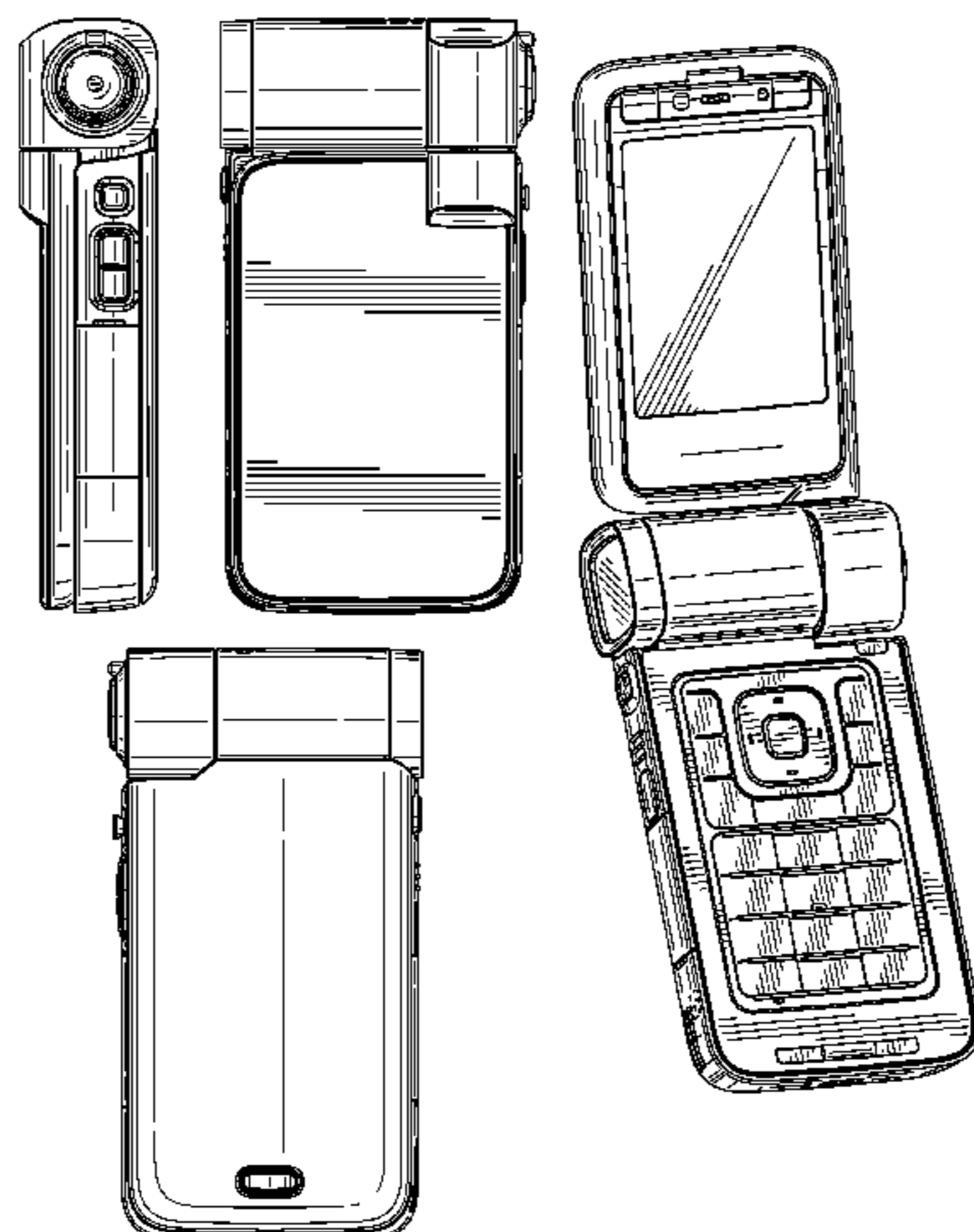
FIG. 14 is a right side perspective front view thereof;

FIG. 15 is a perspective rear view of FIGS. 1-8 in a third position; and,

FIG. 16 is a perspective front view thereof.

The broken line showing of a remainder of the handset is for illustrative purposes only and forms no part of the claimed design.

1 Claim, 10 Drawing Sheets



US D567,793 S

Page 2

U.S. PATENT DOCUMENTS

D496,643 S *	9/2004	Yoo et al.	D14/138	D548,212 S *	8/2007	Lee	D14/138
D498,736 S *	11/2004	Lee	D14/138	D552,067 S *	10/2007	Han et al.	D14/138
D507,551 S *	7/2005	Kim et al.	D14/138	2004/0203535 A1 *	10/2004	Kim et al.	455/90.3
D518,467 S *	4/2006	Kim et al.	D14/138	2004/0209645 A1 *	10/2004	Park et al.	455/556.1
D522,987 S *	6/2006	Oe et al.	D14/138	2005/0245296 A1 *	11/2005	Hong et al.	455/575.3
D525,224 S *	7/2006	Pitt et al.	D14/138	2005/0282596 A1 *	12/2005	Park et al.	455/575.3
D538,772 S *	3/2007	Cha et al.	D14/138	2006/0019728 A1 *	1/2006	Sakamoto et al.	455/575.3
D540,767 S *	4/2007	Kim et al.	D14/138	2006/0135225 A1 *	6/2006	Lin et al.	455/575.3
D541,248 S *	4/2007	Lee et al.	D14/138	2006/0148542 A1 *	7/2006	Oliver	455/575.3
D544,852 S *	6/2007	Takamori et al.	D14/138	2006/0154702 A1 *	7/2006	Kang et al.	455/575.3
D545,287 S *	6/2007	Han et al.	D14/138	2006/0264233 A1 *	11/2006	Won et al.	455/552.1
D546,307 S *	7/2007	Lee	D14/138	2007/0161414 A1 *	7/2007	Wang et al.	455/575.3

* cited by examiner

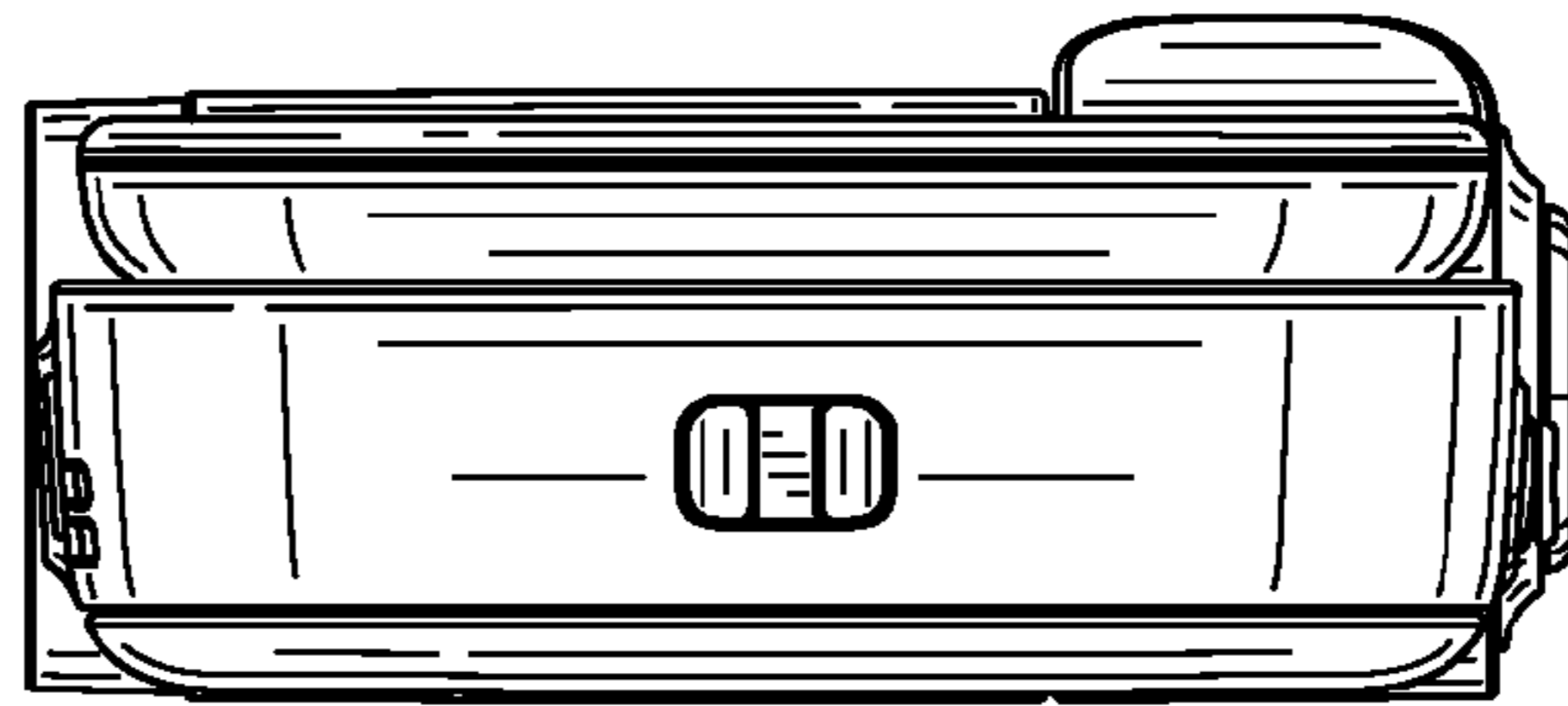


FIG. 1

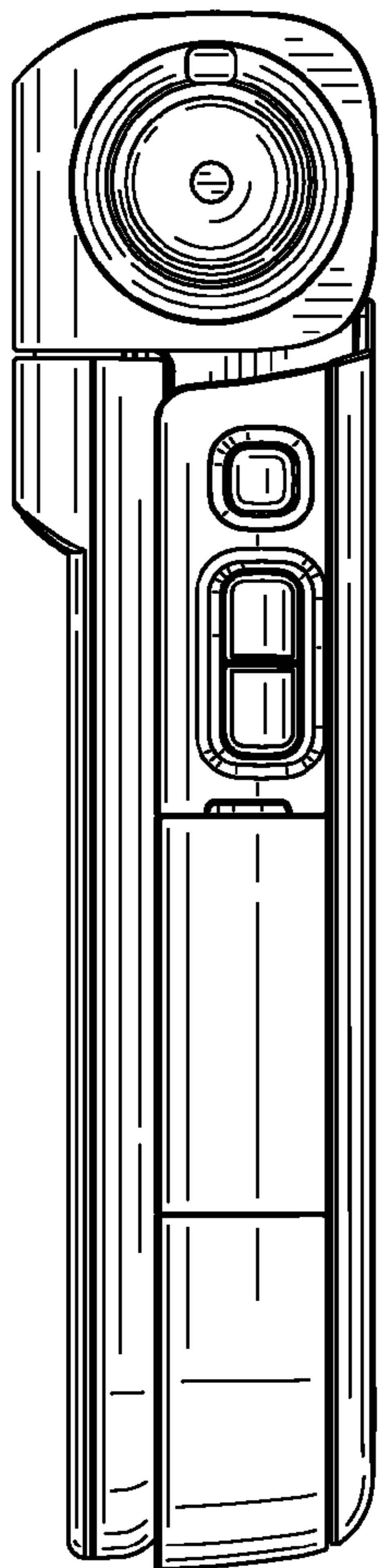


FIG. 2

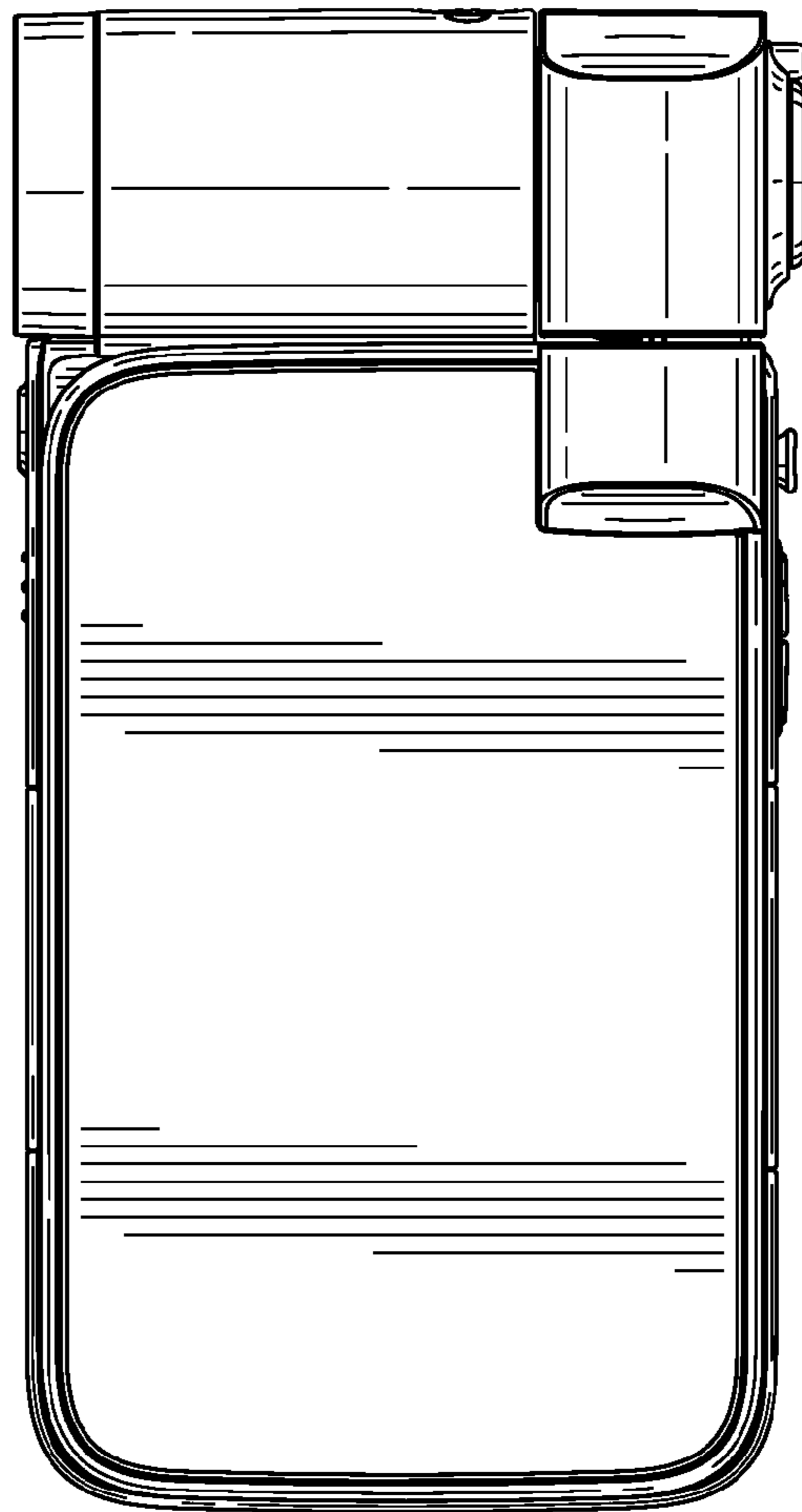


FIG. 3

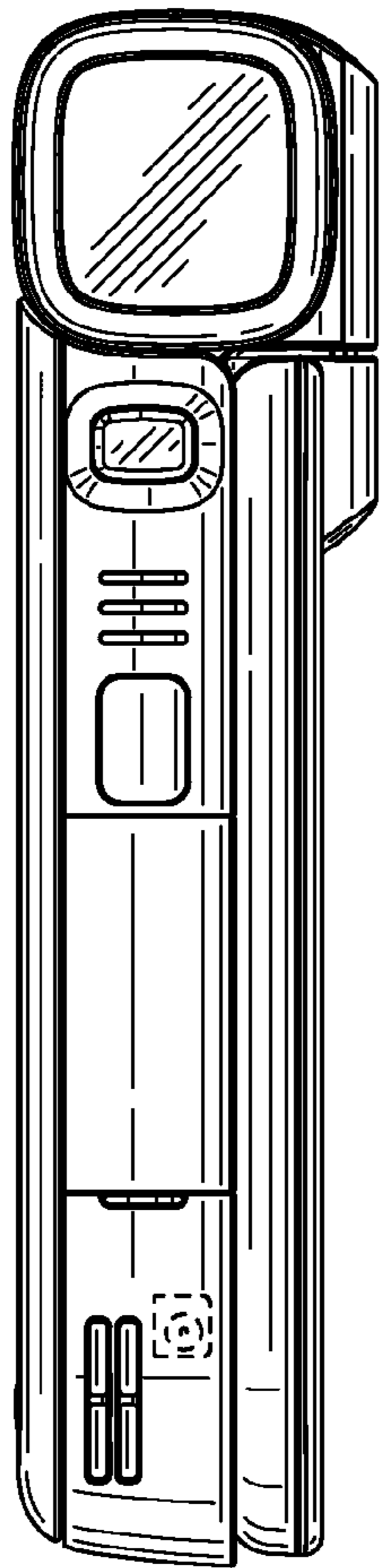


FIG. 4

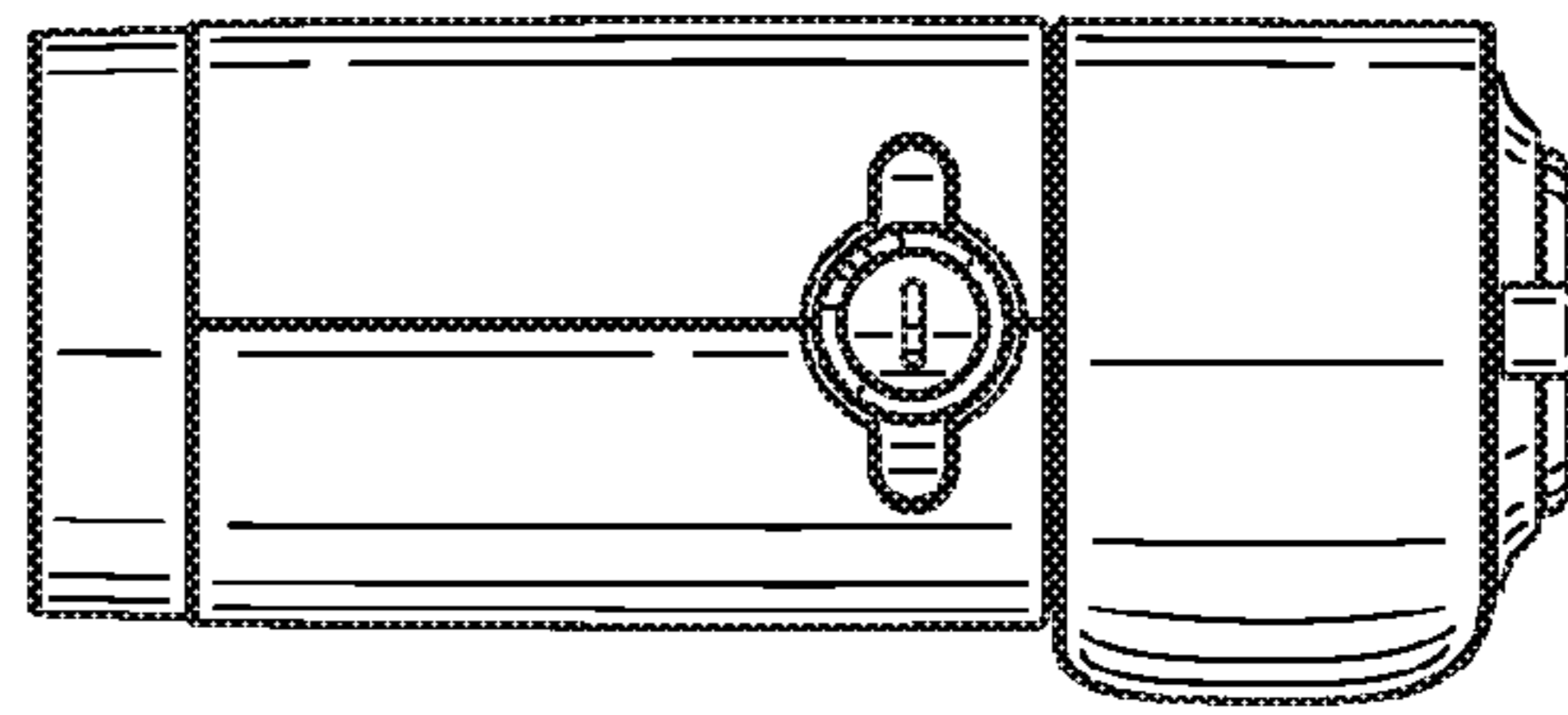


FIG. 5

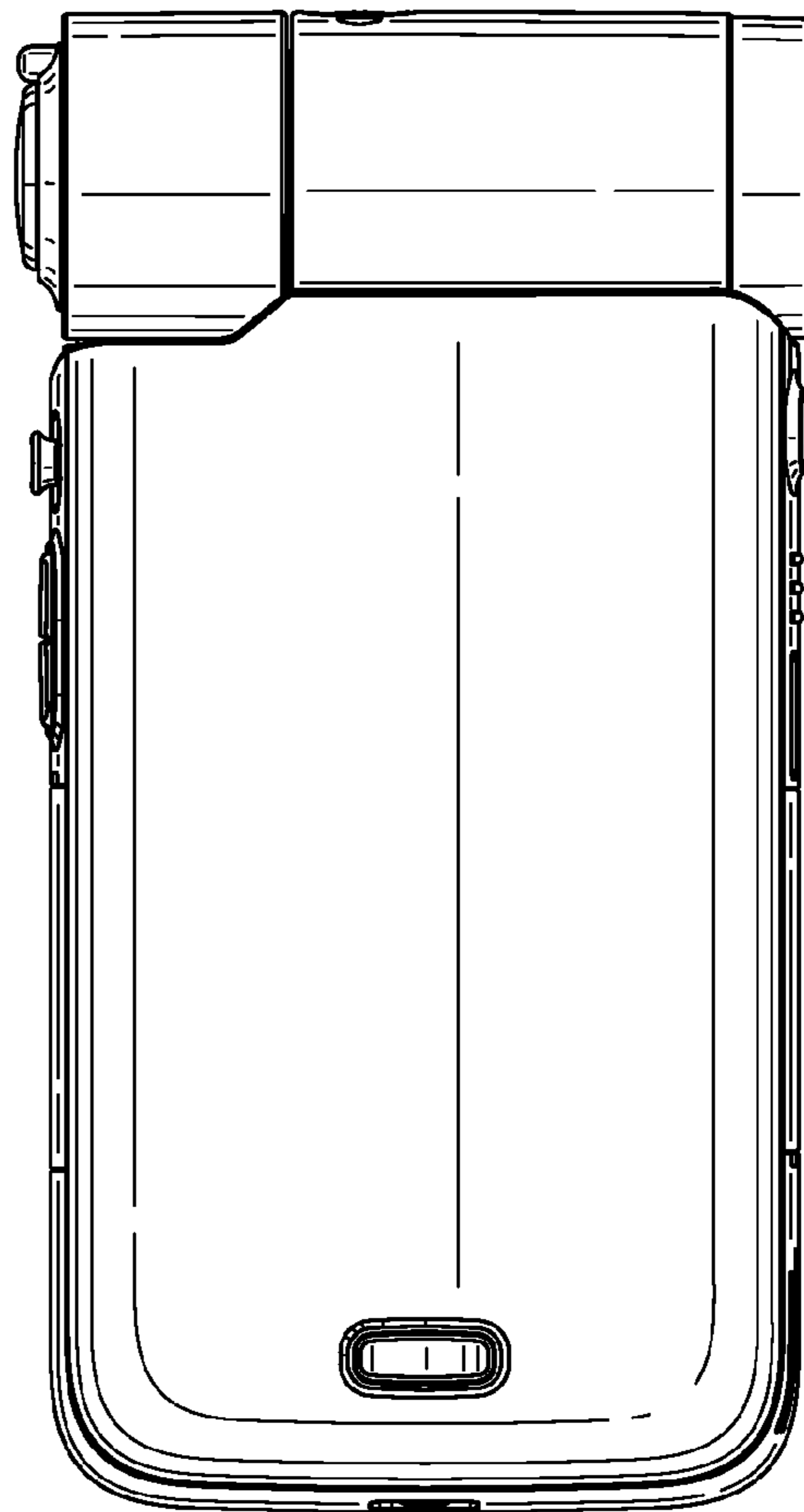


FIG. 6

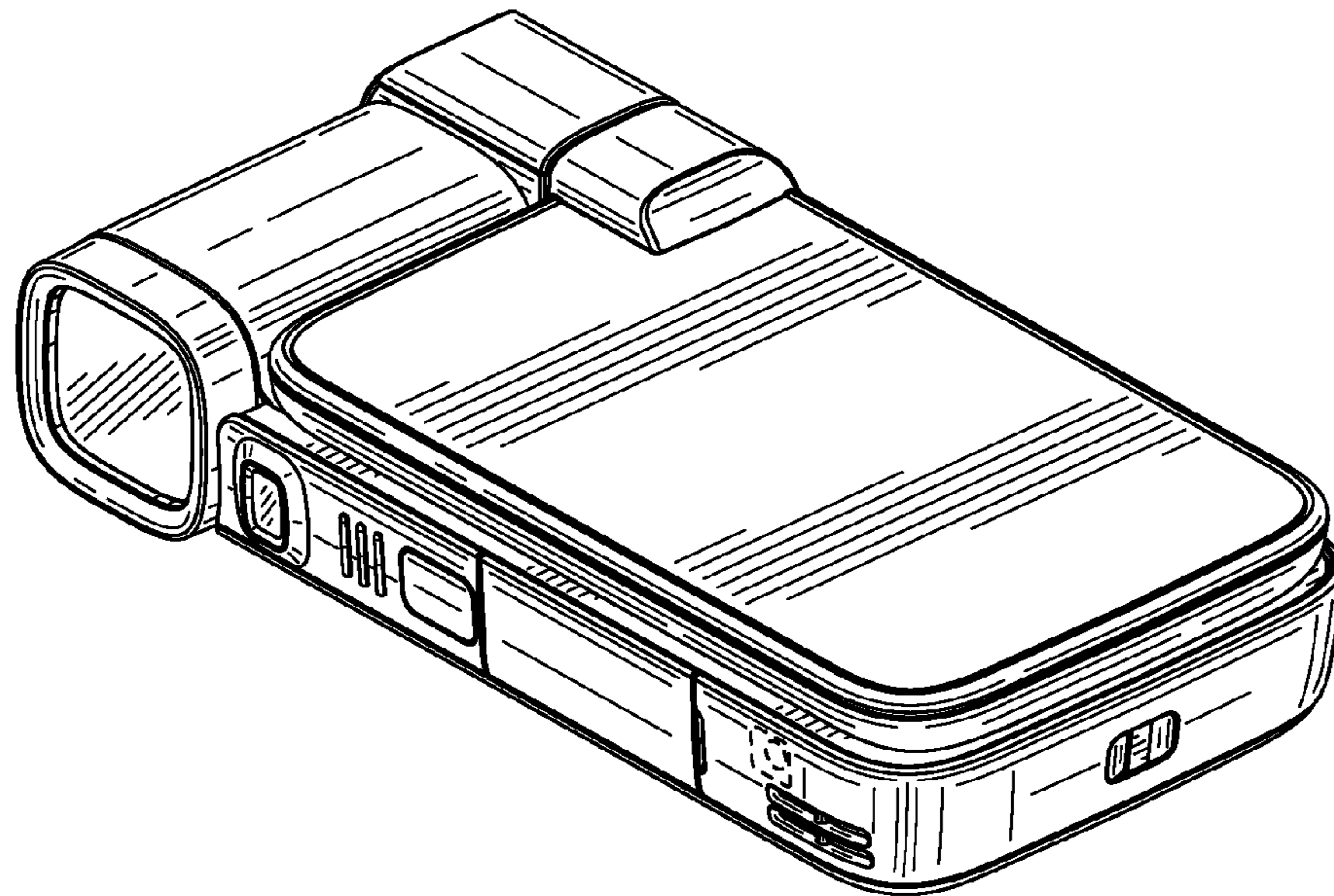


FIG. 7

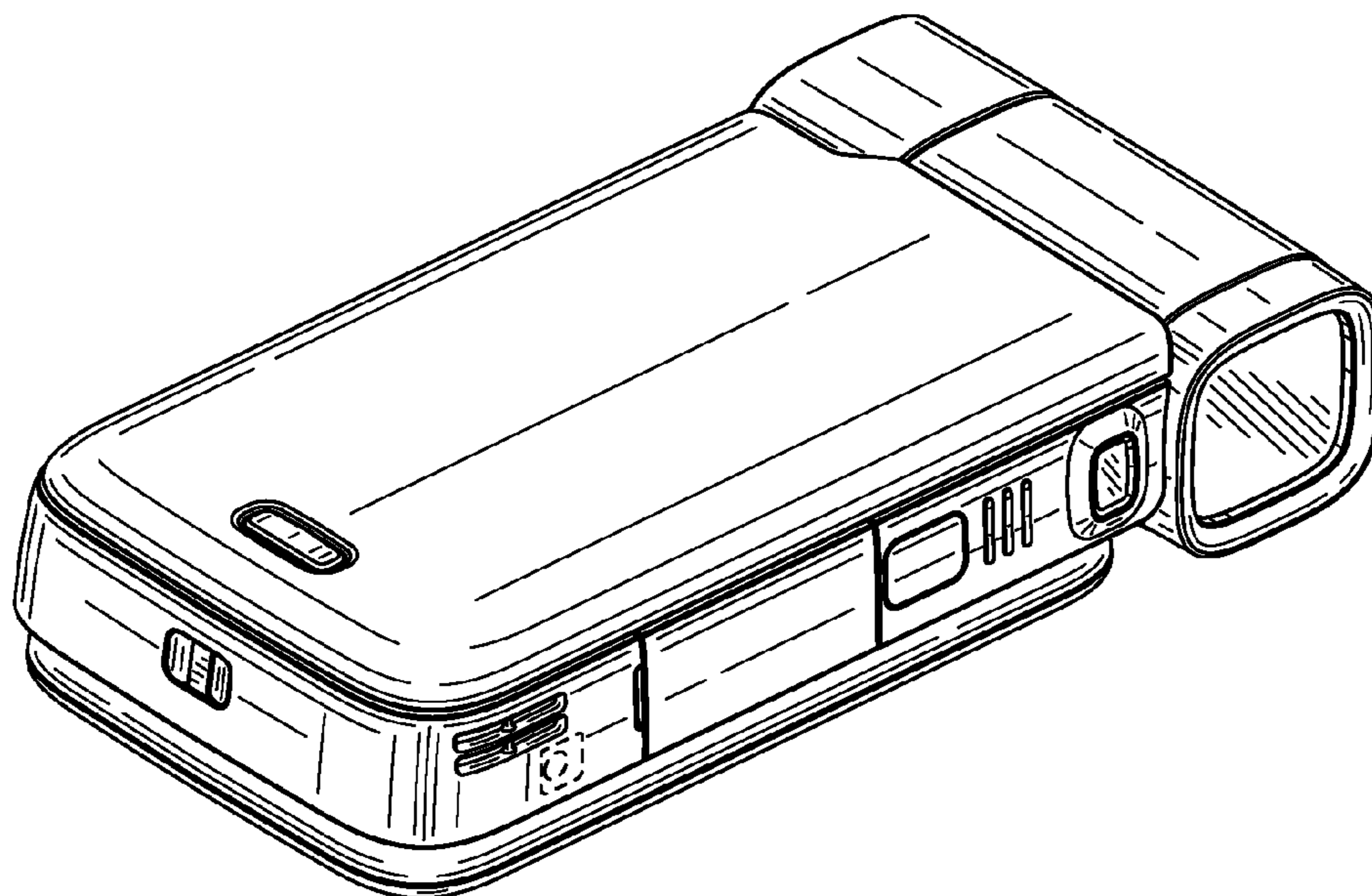


FIG. 8

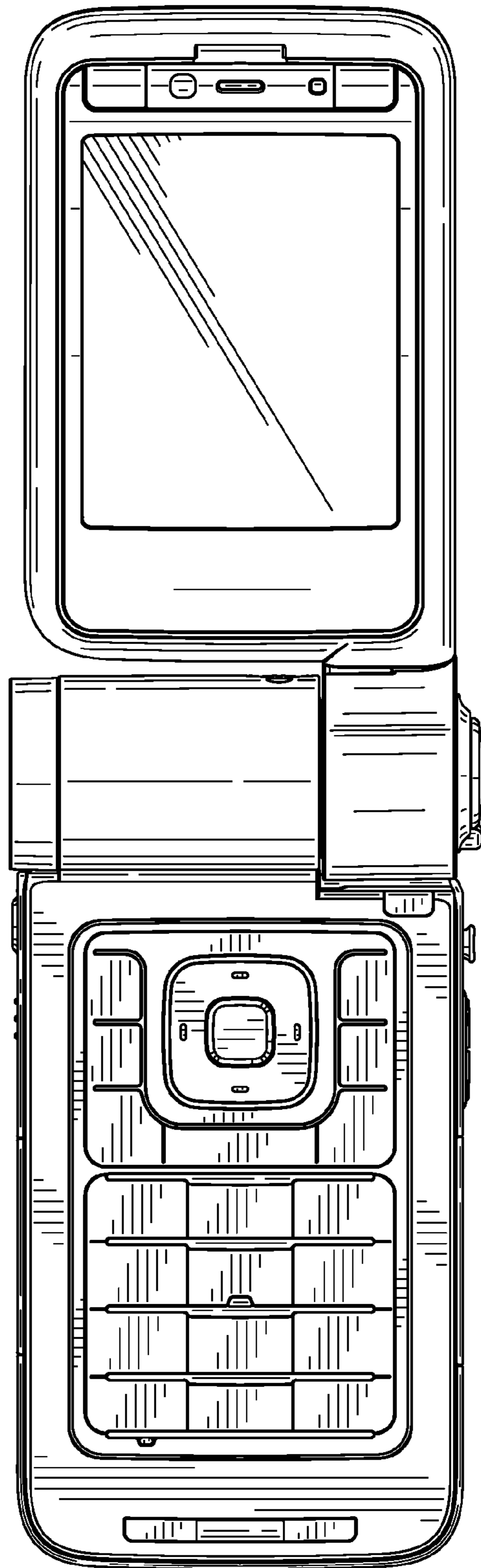


FIG. 9

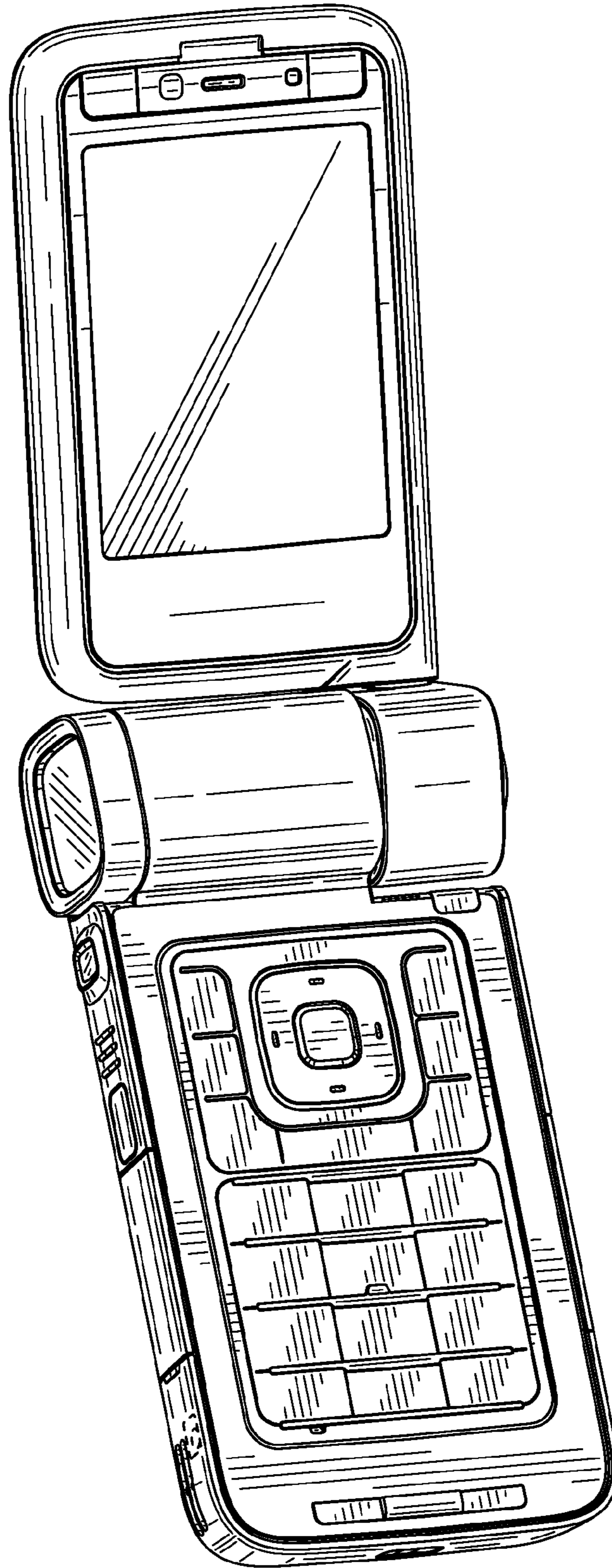


FIG. 10

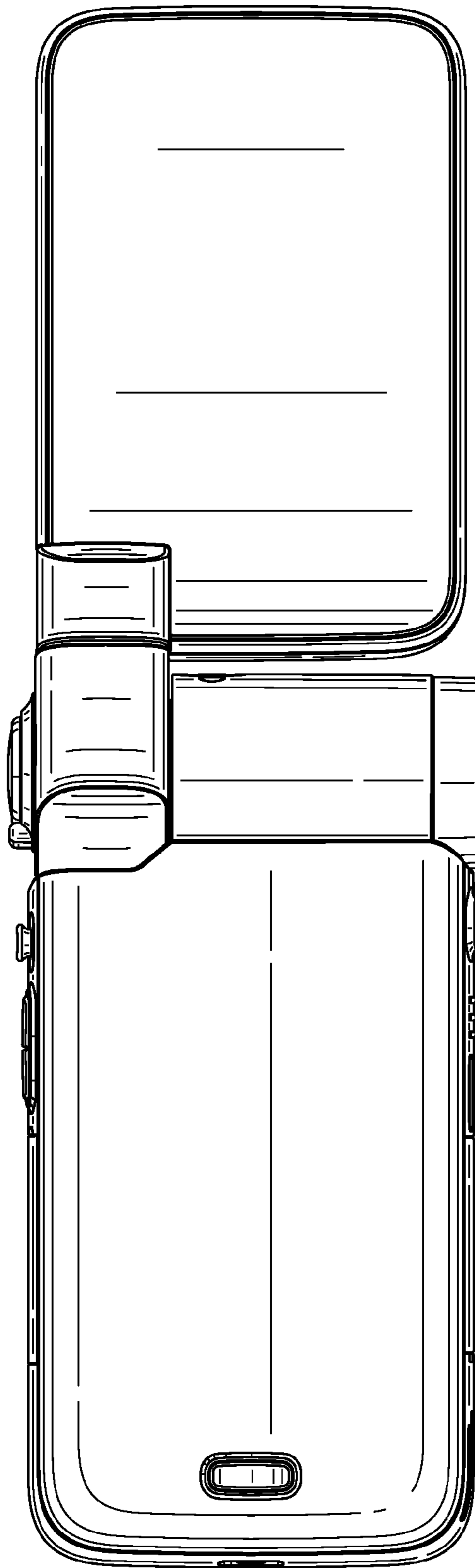


FIG. 11

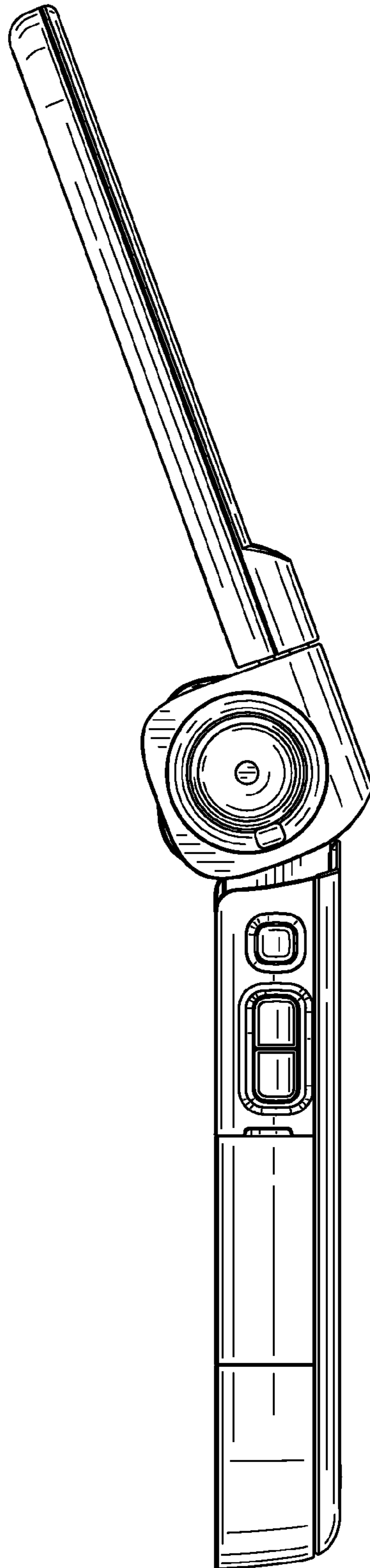


FIG. 12

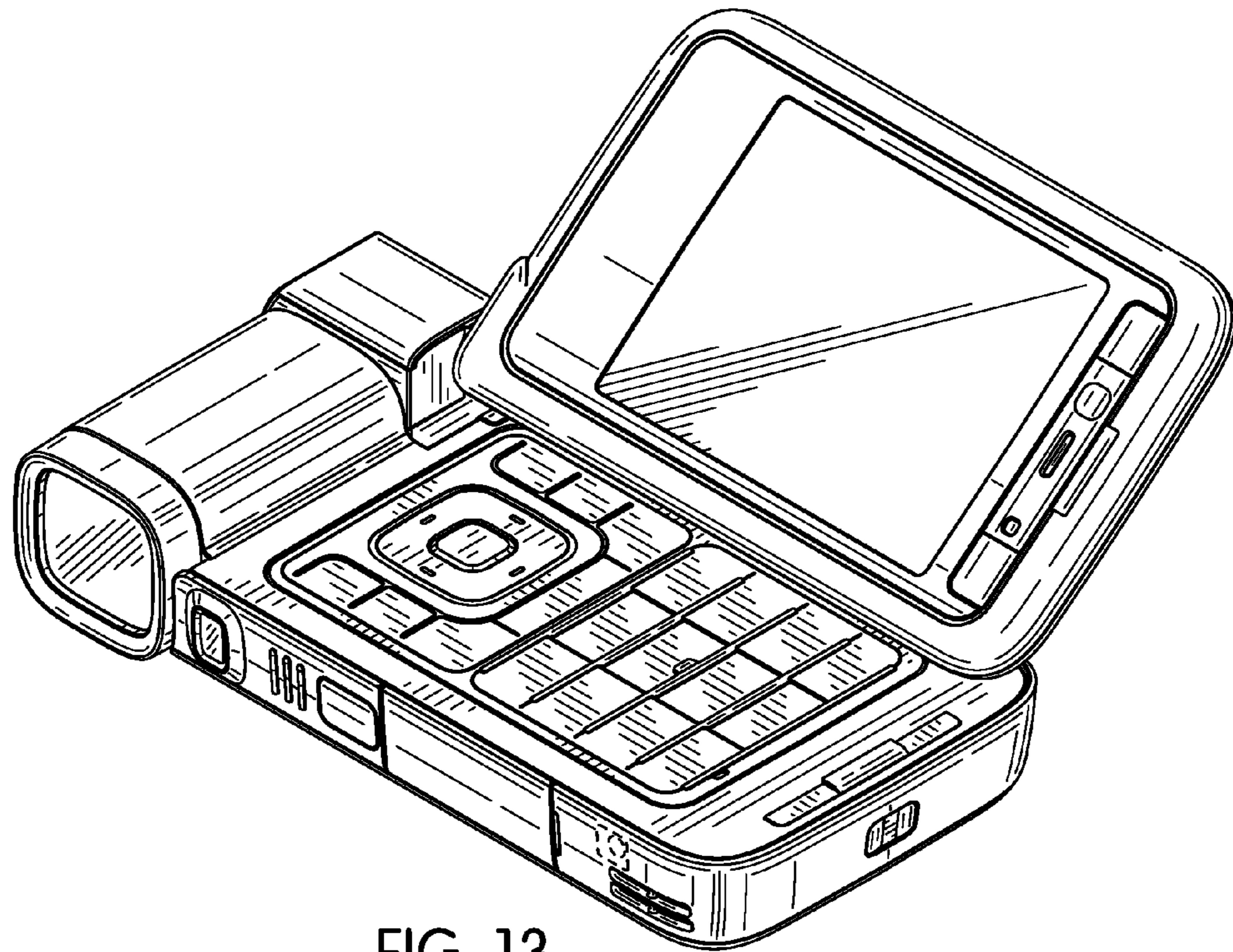


FIG. 13

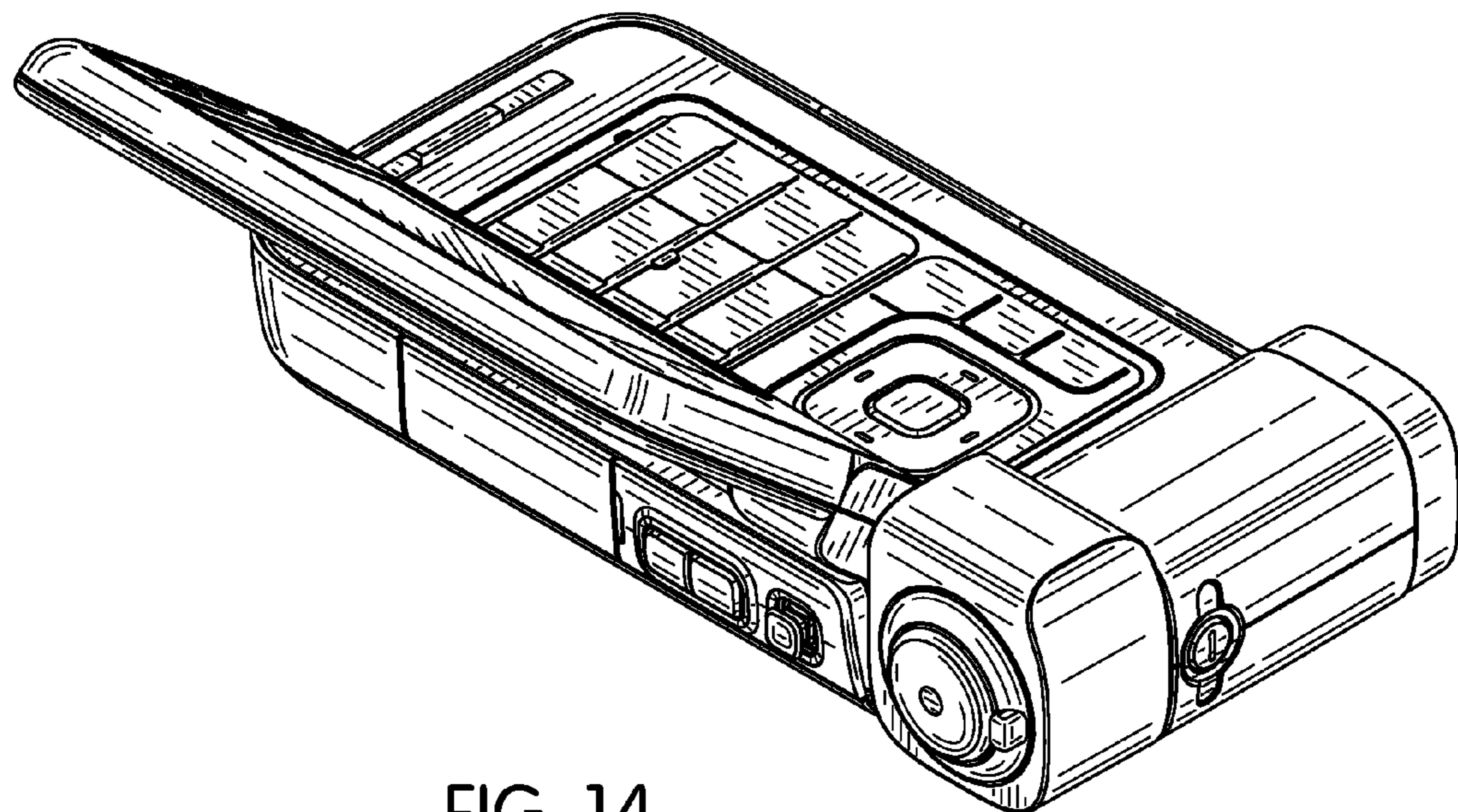


FIG. 14

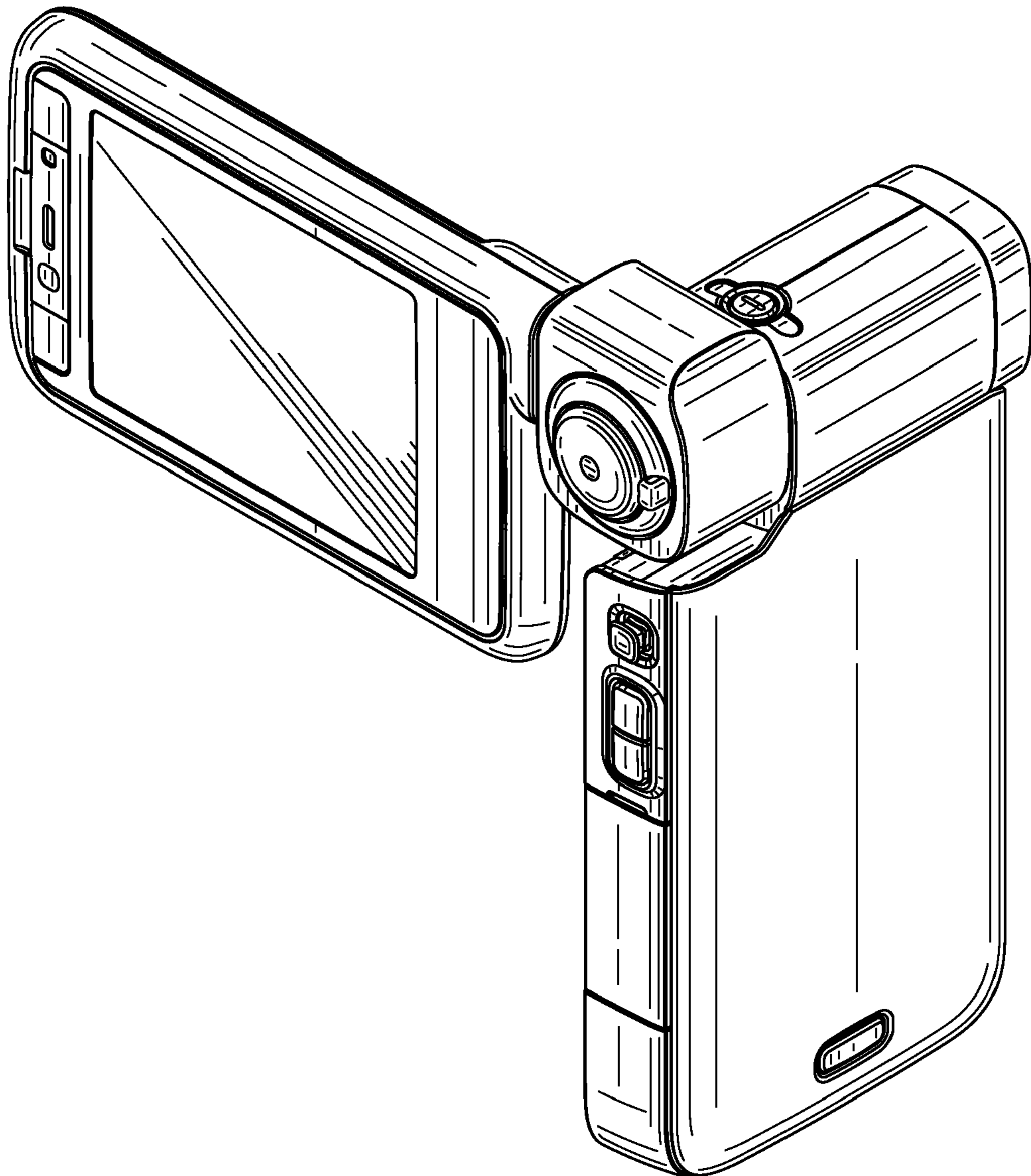


FIG. 15

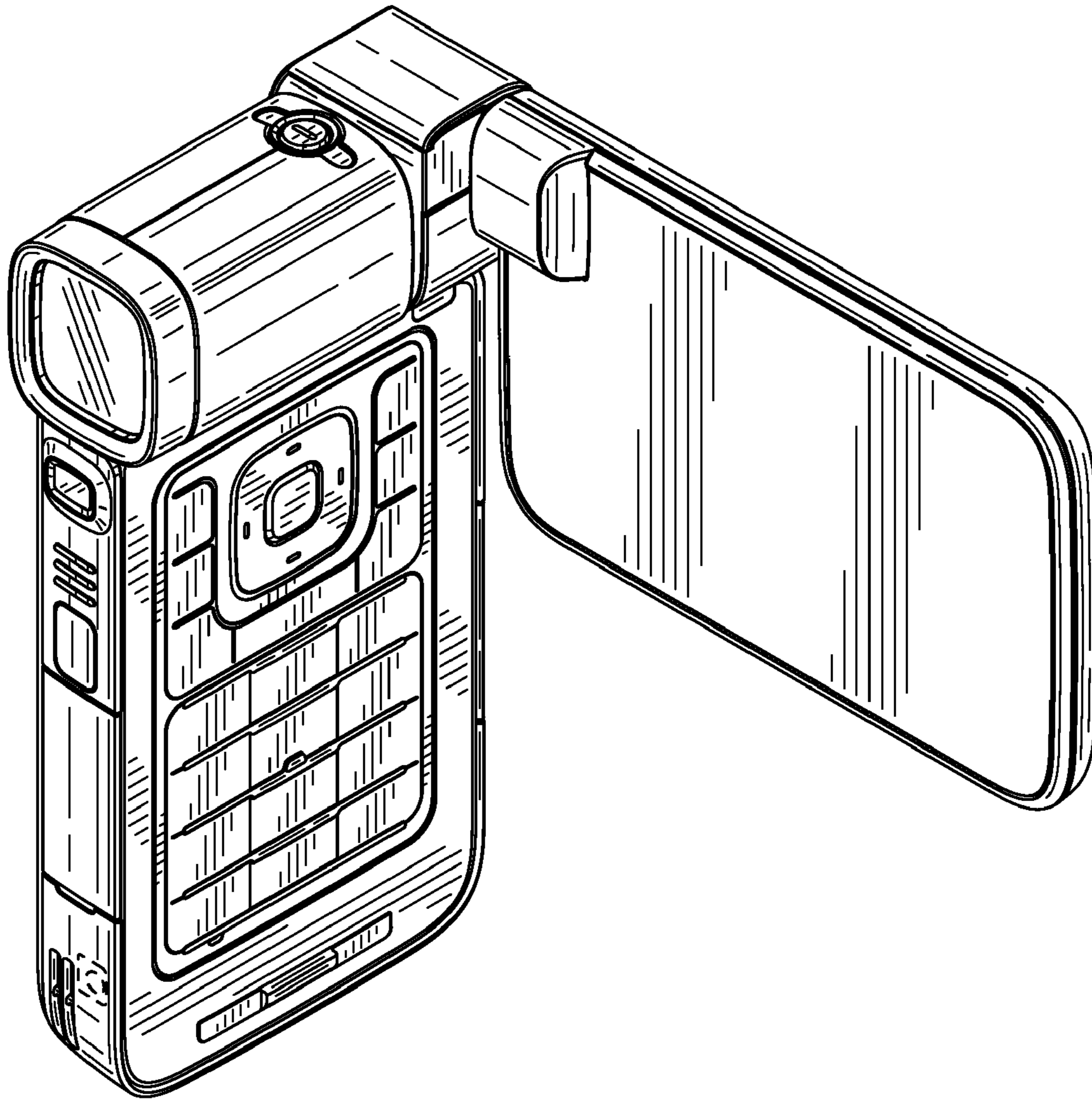


FIG. 16