



US00D567792S

(12) **United States Design Patent** (10) **Patent No.:** **US D567,792 S**
Park et al. (45) **Date of Patent:** **** Apr. 29, 2008**

(54) **MOBILE PHONE**

(75) Inventors: **Hong Kyu Park**, Seoul (KR); **Da Na Jung**, Jeollabuk-do (KR)

(73) Assignee: **LG Electronics Inc.**, Seoul (KR)

(**) Term: **14 Years**

(21) Appl. No.: **29/273,691**

(22) Filed: **Mar. 12, 2007**

(51) **LOC (8) Cl.** **14-03**

(52) **U.S. Cl.** **D14/138**

(58) **Field of Classification Search** D14/137,
D14/138, 147, 148, 150, 168, 191, 218, 247-248,
D14/341-347, 496; D10/65; D13/168; D18/7;
455/90.3, 556.1, 556.2, 575.1, 575.3, 575.4;
379/433.01-433.13; 361/814; 348/14.02
See application file for complete search history.

(56) **References Cited**

U.S. PATENT DOCUMENTS

D445,409 S *	7/2001	Segers	D14/138
D451,891 S *	12/2001	Noonan et al.	D13/168
D455,137 S *	4/2002	Wang	D14/138
D475,033 S *	5/2003	Lehtonen	D14/138
D477,596 S *	7/2003	Hayes	D14/343
6,850,767 B1 *	2/2005	Maxymych	455/461
D509,760 S *	9/2005	Burrell et al.	D10/65
D525,610 S *	7/2006	Kim et al.	D14/138
D531,155 S *	10/2006	Ahn et al.	D14/138
D533,563 S *	12/2006	Kwon et al.	D14/496
D534,516 S *	1/2007	Lheem	D14/138
D535,968 S *	1/2007	Lee	D14/138
D536,691 S *	2/2007	Park	D14/138
D539,815 S *	4/2007	Lai et al.	D14/496
D541,812 S *	5/2007	Wang	D14/496
D542,753 S *	5/2007	Majanen et al.	D14/138

(Continued)

OTHER PUBLICATIONS

LG KE800, announced Oct. 2006, [online], [retrieved on Feb. 20, 2007]. Retrieved from Internet ,<URL: <http://www.gsmarena.com>>.*

LG KU580, announced Apr. 2007, [online], [retrieved on May 18, 2007]. Retrieved from Internet ,<URL: <http://www.gsmarena.com>>.*

i-mate Ultimate 5150, announced Feb. 2007, [online], [retrieved on Feb. 20, 2007]. Retrieved from Internet ,<URL: <http://www.gsmarena.com>>.*

Primary Examiner—Jeffrey Asch

Assistant Examiner—Bridget L Eland

(74) *Attorney, Agent, or Firm*—Birch, Stewart, Kolasch & Birch, LLP

(57) **CLAIM**

The ornamental design for a mobile phone, as shown and described.

DESCRIPTION

FIG. 1 is a perspective view of a mobile phone showing our new design;

FIG. 2 is a front view thereof;

FIG. 3 is a rear view thereof;

FIG. 4 is a left side view thereof;

FIG. 5 is a right side view thereof;

FIG. 6 is a top plan view thereof;

FIG. 7 is a bottom plan view thereof;

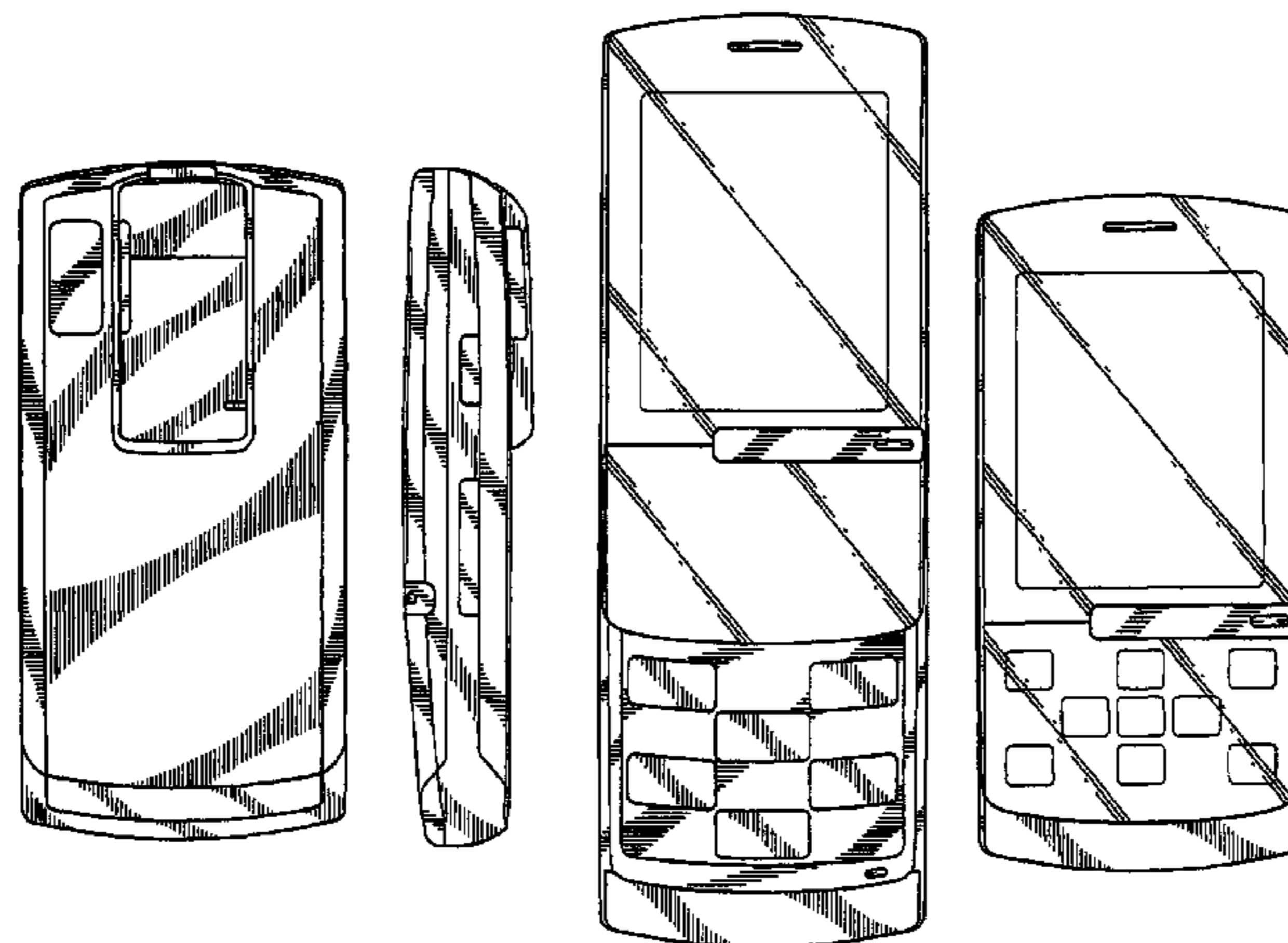
FIG. 8 is a front view thereof in a condition that the upper body thereof has been slid upward and the inner key pad is exposed;

FIG. 9 is a front view thereof showing a set of touch keys appearing on the lower part in operation;

FIG. 10 is a front view thereof showing another set of touch keys appearing on the lower part in operation; and,

FIG. 11 is a front view thereof showing another set of touch keys appearing on the lower part in operation.

1 Claim, 10 Drawing Sheets



US D567,792 S

Page 2

U.S. PATENT DOCUMENTS

D546,806 S *	7/2007	Cho et al.	D14/138	D548,713 S *	8/2007	Lee et al.	D14/138
D547,743 S *	7/2007	Kim et al.	D14/138	2003/0008679 A1 *	1/2003	Iwata et al.	455/556
D548,214 S *	8/2007	Kim et al.	D14/138	2005/0079902 A1 *	4/2005	Chen et al.	455/575.4
D548,219 S *	8/2007	Hwang	D14/138	2005/0233708 A1 *	10/2005	Im et al.	455/90.3
D548,712 S *	8/2007	Kim et al.	D14/138	2005/0277449 A1 *	12/2005	Wu	455/575.1

* cited by examiner

FIG. 1

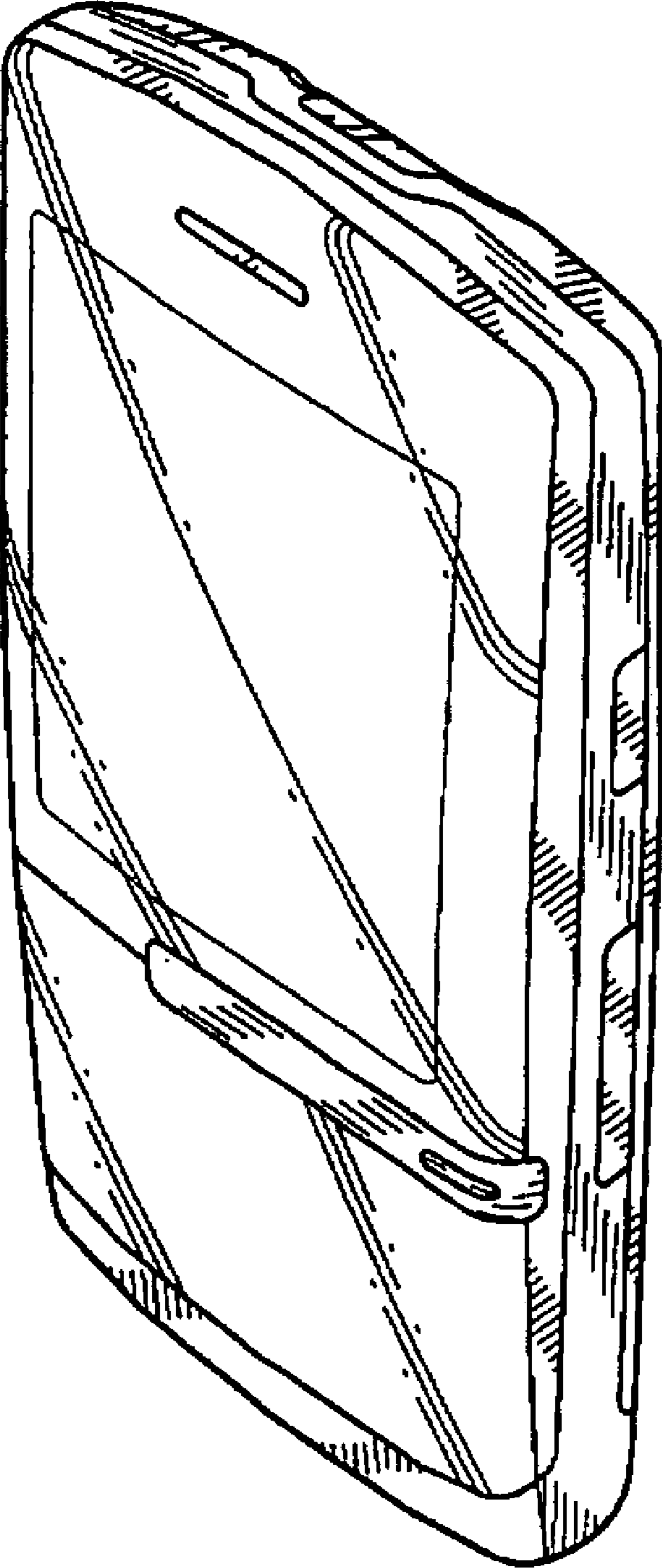


FIG. 2

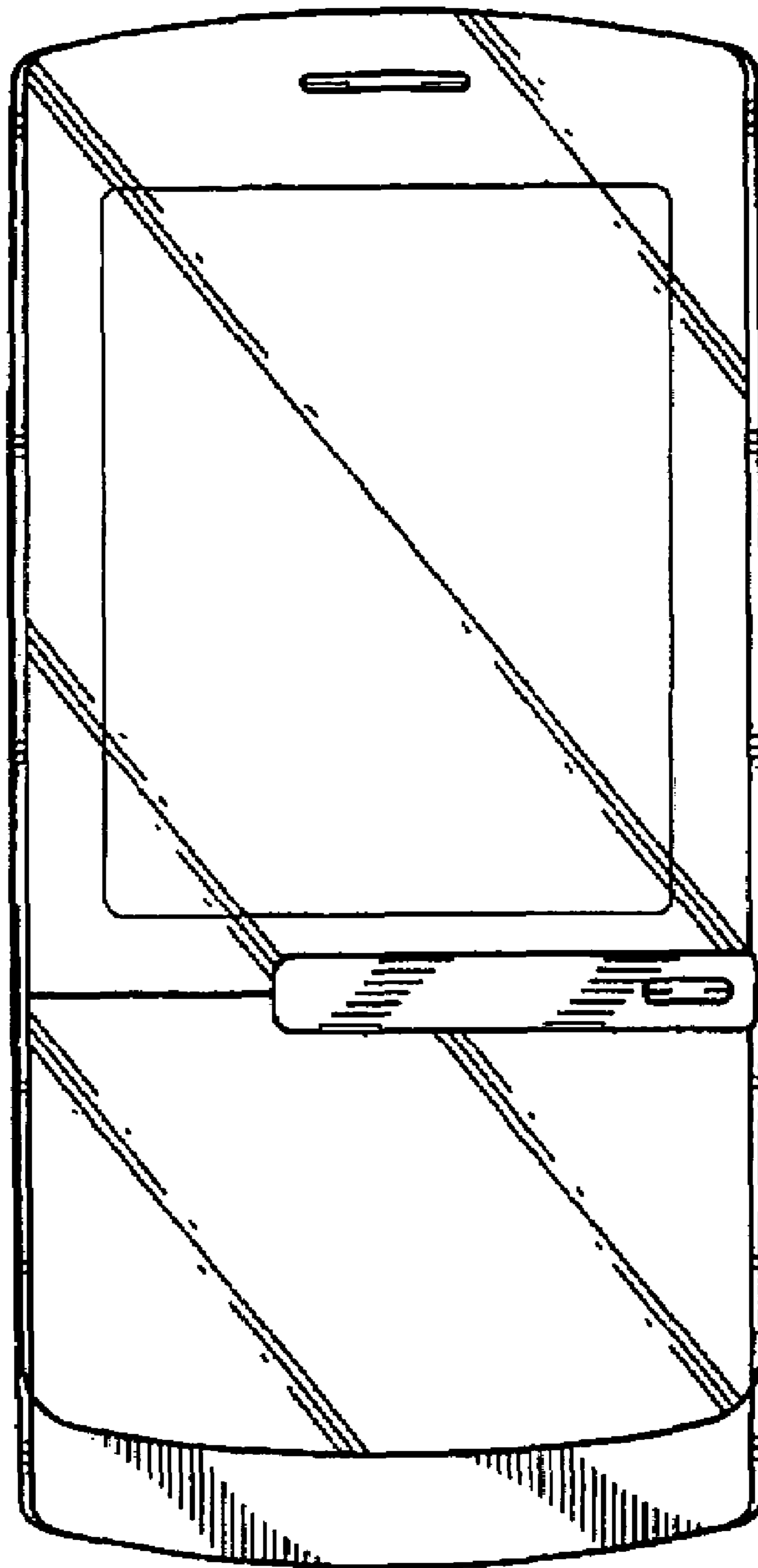


FIG. 3

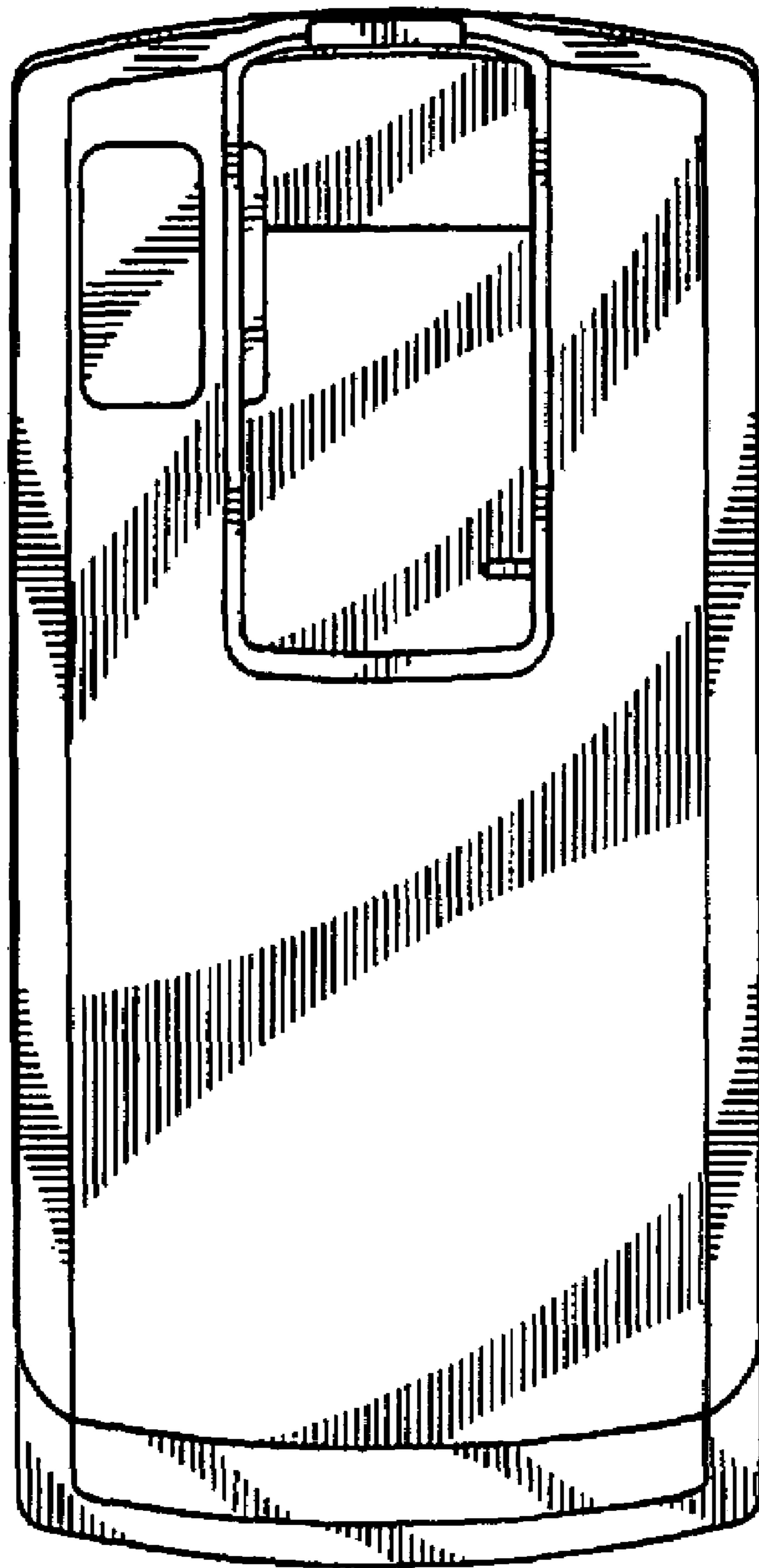


FIG. 4

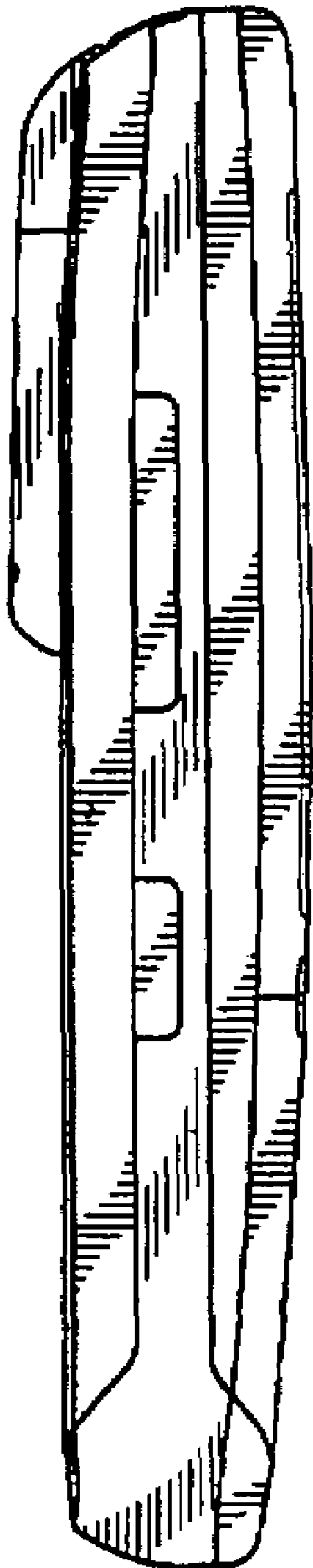


FIG. 5

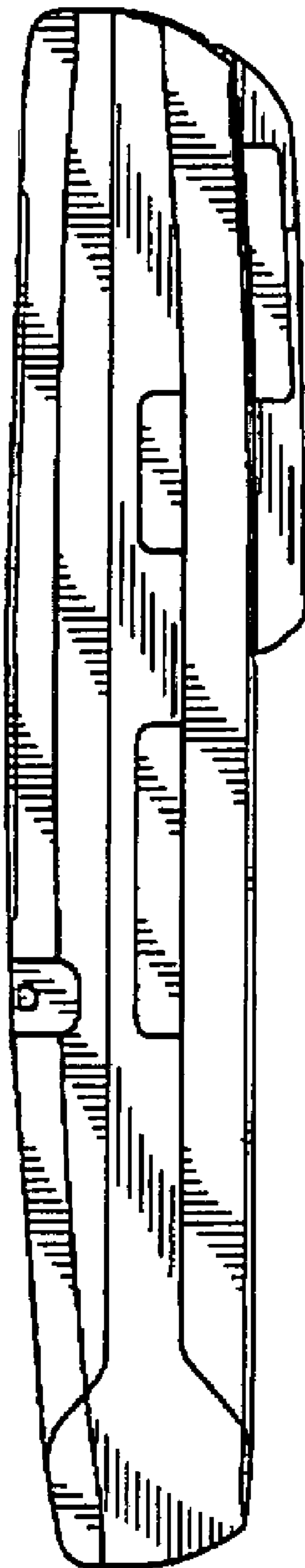


FIG. 6

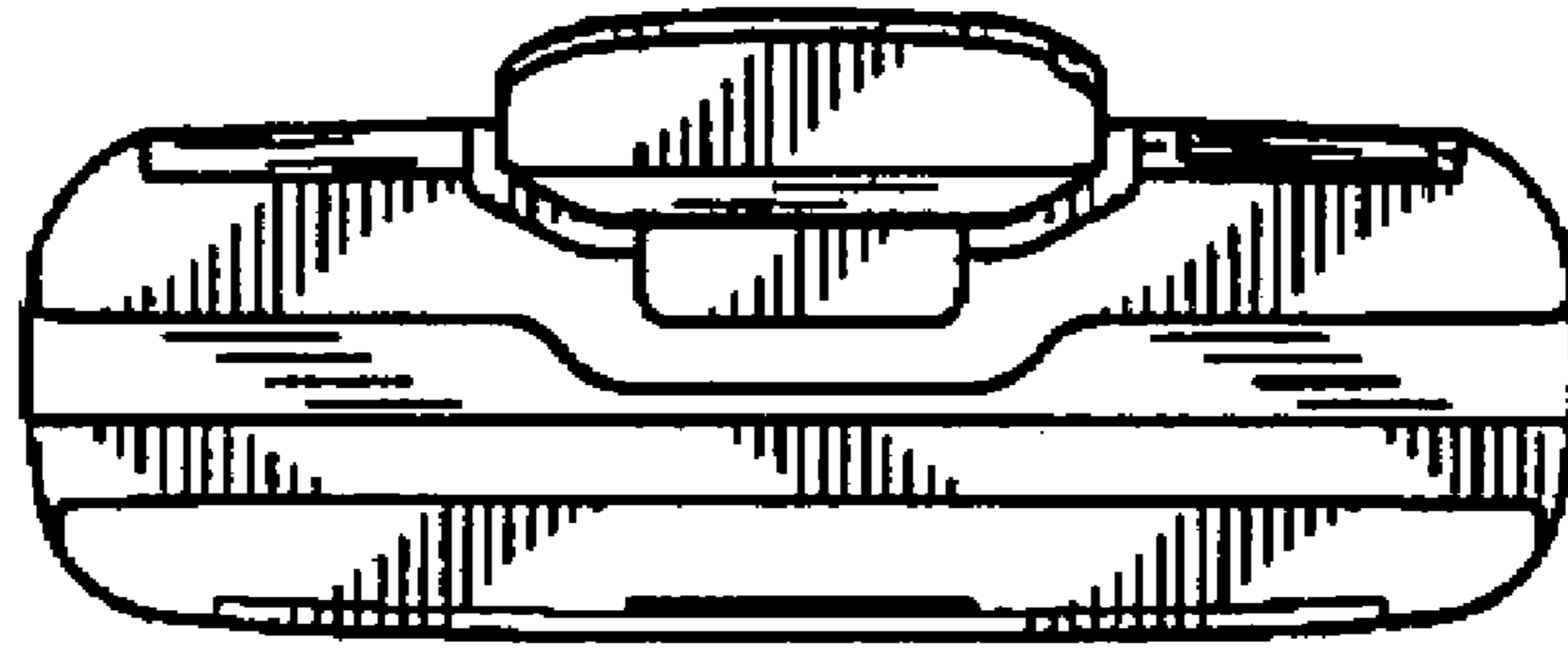


FIG. 7



FIG. 8

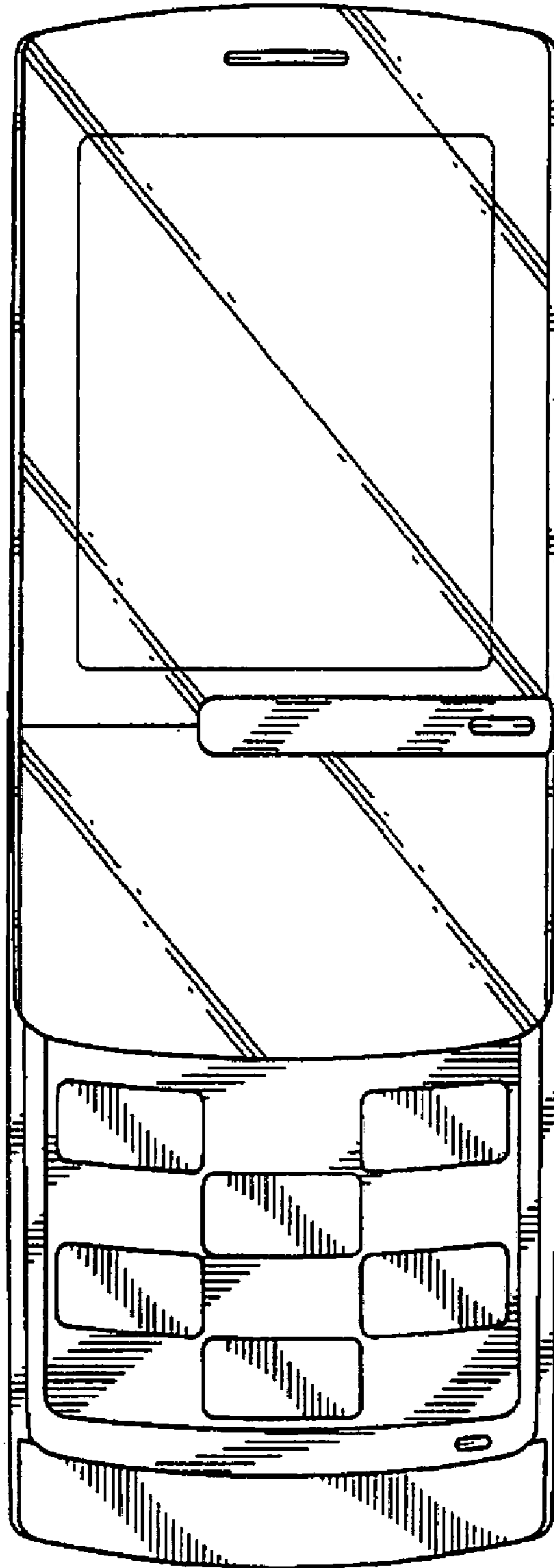


FIG. 9

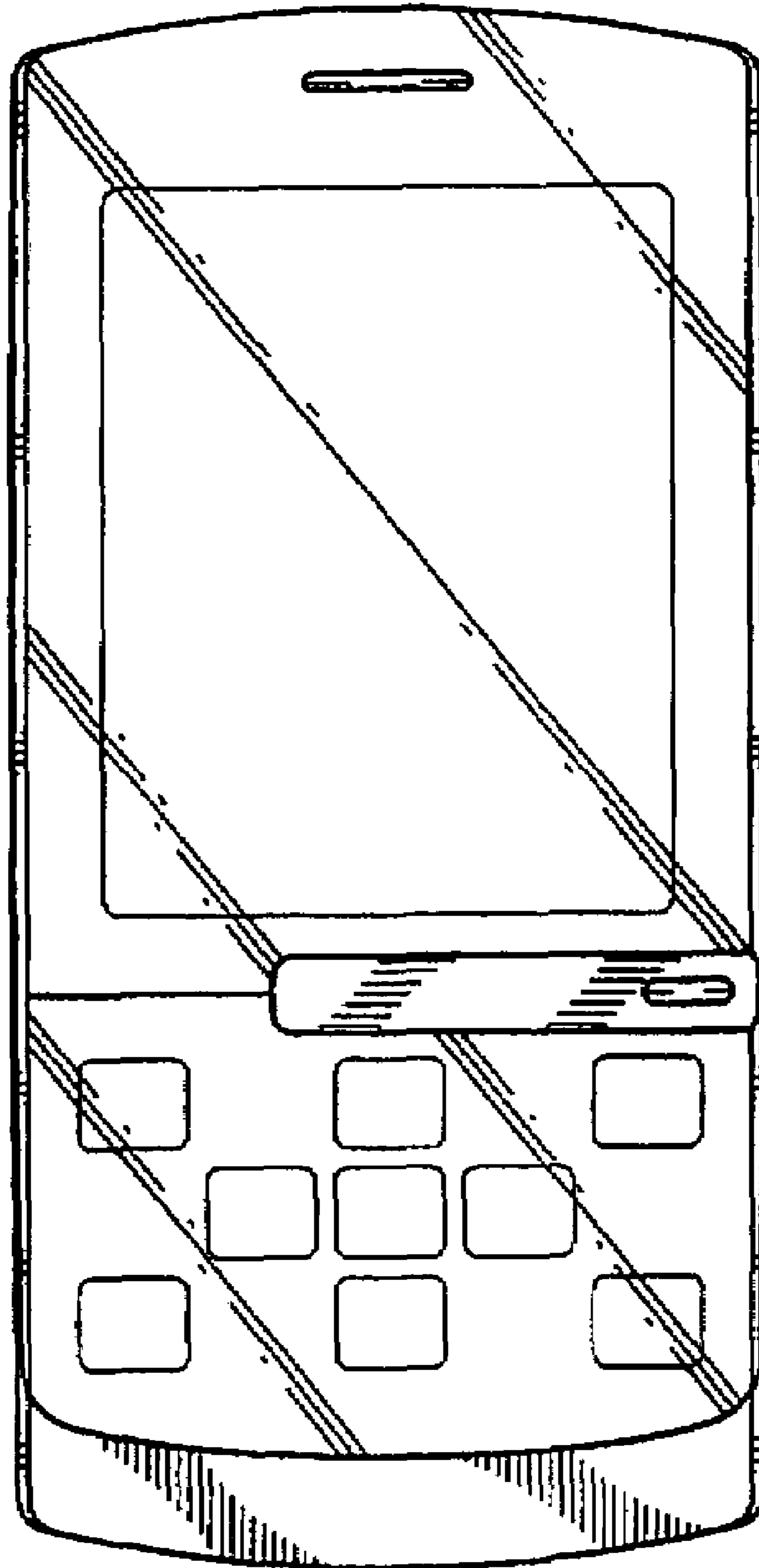


FIG. 10

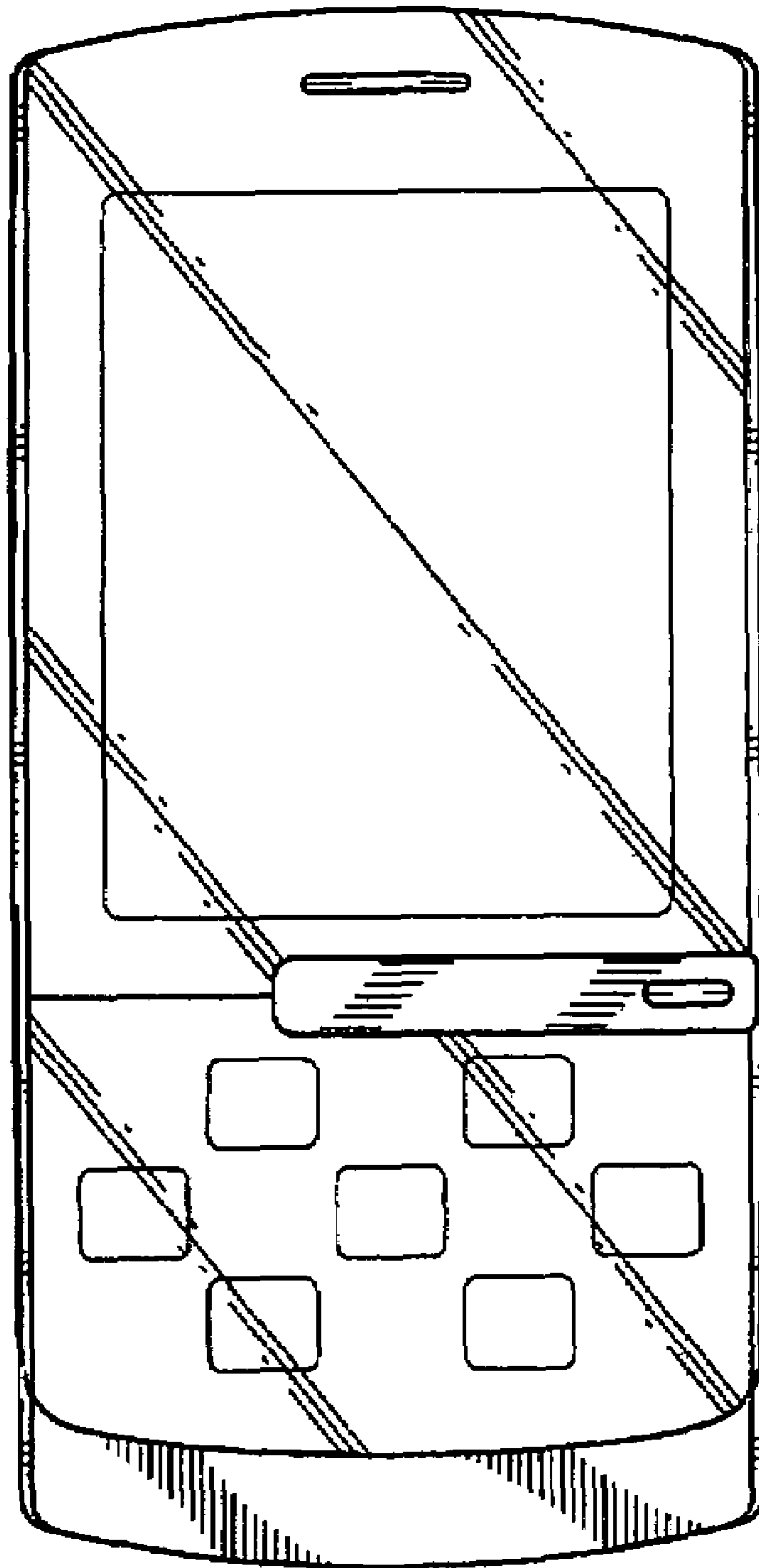


FIG. 11

