

US00D567791S

(12) **United States Design Patent**
Chung et al.

(10) **Patent No.:** **US D567,791 S**

(45) **Date of Patent:** **** Apr. 29, 2008**

(54) **PORTABLE PHONE**

(75) Inventors: **Jong Bo Chung**, Seoul (KR); **Jun Kim**, Uijeongbu-si (KR); **Beom Ku Han**, Seoul (KR); **Chang-Soo Lee**, Incheon (KR)

(73) Assignee: **Samsung Electronics Co., Ltd.**, Suwon-Si (KR)

(**) Term: **14 Years**

(21) Appl. No.: **29/272,415**

(22) Filed: **Feb. 8, 2007**

(51) **LOC (8) Cl.** **14-03**

(52) **U.S. Cl.** **D14/138**

(58) **Field of Classification Search** D14/137, D14/138, 147, 191, 218, 247-248, 341-347, D14/496; D13/168; D18/7; 455/90.3, 556.1, 455/556.2, 575.1, 575.3, 575.4; 379/433.01-433.13; 361/814; 348/14.02

See application file for complete search history.

(56) **References Cited**

U.S. PATENT DOCUMENTS

D269,088	S	*	5/1983	Genaro et al.	D14/137
D306,853	S	*	3/1990	Mayo et al.	D13/168
D486,484	S	*	2/2004	Bloomberg et al.	D14/248
D511,770	S	*	11/2005	Chung	D14/240
D513,011	S	*	12/2005	Johnson	D14/496
D527,368	S	*	8/2006	Kim et al.	D14/138
D529,887	S	*	10/2006	Chung et al.	D14/138
D531,610	S	*	11/2006	Kim et al.	D14/138
D532,424	S	*	11/2006	Kim	D14/496
D532,425	S	*	11/2006	Kim	D14/496
D534,891	S	*	1/2007	Park et al.	D14/138
D535,274	S	*	1/2007	Lee	D14/138
D535,307	S	*	1/2007	Yagi	D14/496
D536,326	S	*	2/2007	Kim et al.	D14/138
D539,305	S	*	3/2007	Kim et al.	D14/496
D542,304	S	*	5/2007	Kim et al.	D14/496
D545,802	S	*	7/2007	Choi et al.	D14/138
D546,320	S	*	7/2007	Choi	D14/218

D546,837	S	*	7/2007	Yeo	D14/496
D550,190	S	*	9/2007	Minamide et al.	D14/138
D555,170	S	*	11/2007	Dai	D14/496
D555,628	S	*	11/2007	Kim et al.	D14/138
D556,210	S	*	11/2007	Choi et al.	D14/496
2004/0242288	A1	*	12/2004	Balle et al.	455/575.1
2006/0287011	A1	*	12/2006	Chiu	455/575.1
2007/0037618	A1	*	2/2007	Lee	455/575.4

OTHER PUBLICATIONS

Samsung P110, announced Feb. 2007, [online], [retrieved on Feb. 16, 2007]. Retrieved from Internet, <URL: <http://www.gsmarena.com>>.*

(Continued)

Primary Examiner—Jeffrey Asch
Assistant Examiner—Bridget L Eland
(74) *Attorney, Agent, or Firm*—Staas & Halsey LLP

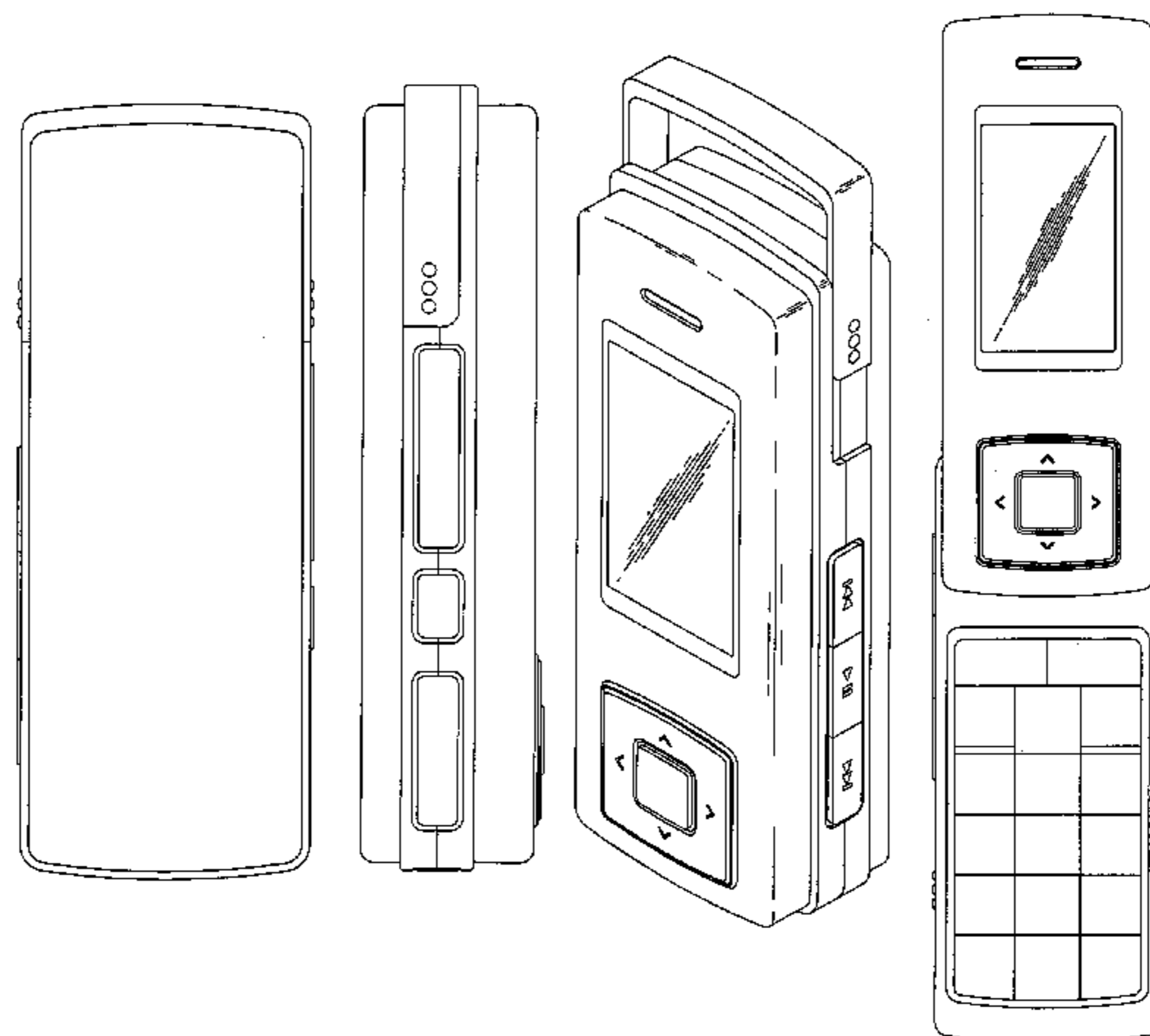
(57) **CLAIM**

The ornamental design for a portable phone, as shown and described.

DESCRIPTION

FIG. 1 is a perspective view of a portable phone;
FIG. 2 is a front view of the portable phone of FIG. 1;
FIG. 3 is a rear view of the portable phone of FIG. 1;
FIG. 4 is a left-side view of the portable phone of FIG. 1;
FIG. 5 is a right-side view of the portable phone of FIG. 1;
FIG. 6 is a top plan view of the portable phone of FIG. 1;
FIG. 7 is a bottom plan view of the portable phone of FIG. 1;
FIG. 8 is another perspective view thereof displaying a raised handle of the portable phone of FIG. 1; and,
FIG. 9 is a front open view of the portable phone of FIG. 1.

1 Claim, 6 Drawing Sheets



OTHER PUBLICATIONS

Samsung F200, announced Jun. 2007 , [online], [retrieved on Aug. 6, 2007]. Retrieved from Internet ,<URL: <http://www.gsmarena.com>>.*

Samsung F210, announced Jun. 2007 , [online], [retrieved on Aug. 6, 2007]. Retrieved from Internet ,<URL: <http://www.gsmarena.com>>.*

Samsung X830, announced Sep. 2006, [online], [retrieved on Feb. 8, 2007]. Retrieved from Internet ,<URL: <http://www.gsmarena.com>>.*

Asus P535, announced Nov. 2006, [online], [retrieved on Feb. 20, 2007]. Retrieved from Internet ,<URL: <http://www.gsmarena.com>>.*

* cited by examiner

FIG .1

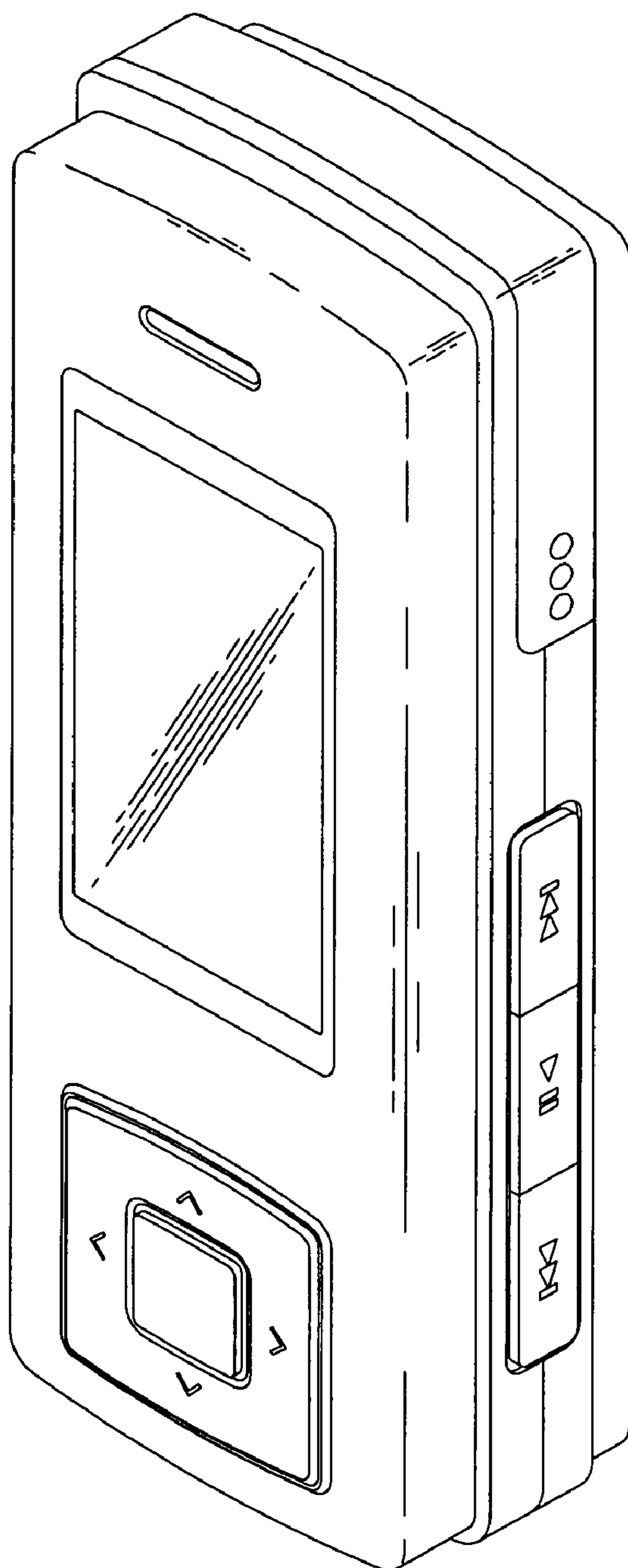


FIG .2

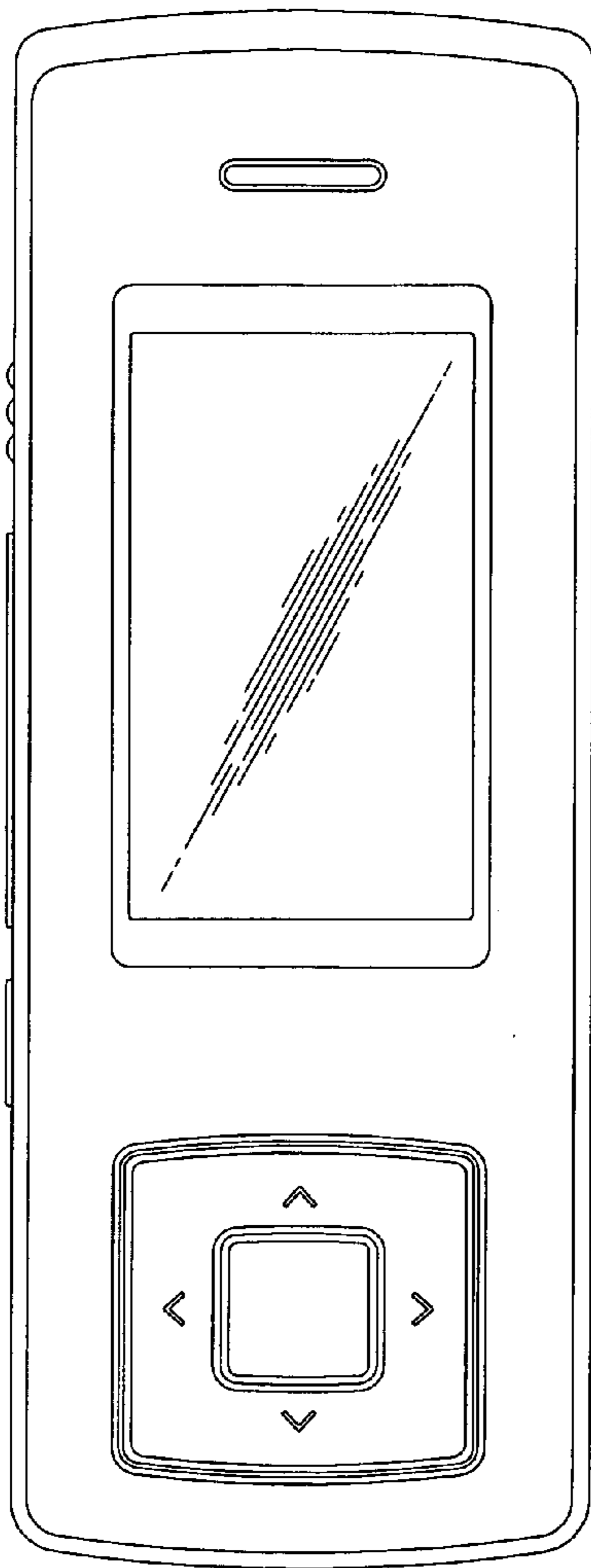


FIG .3

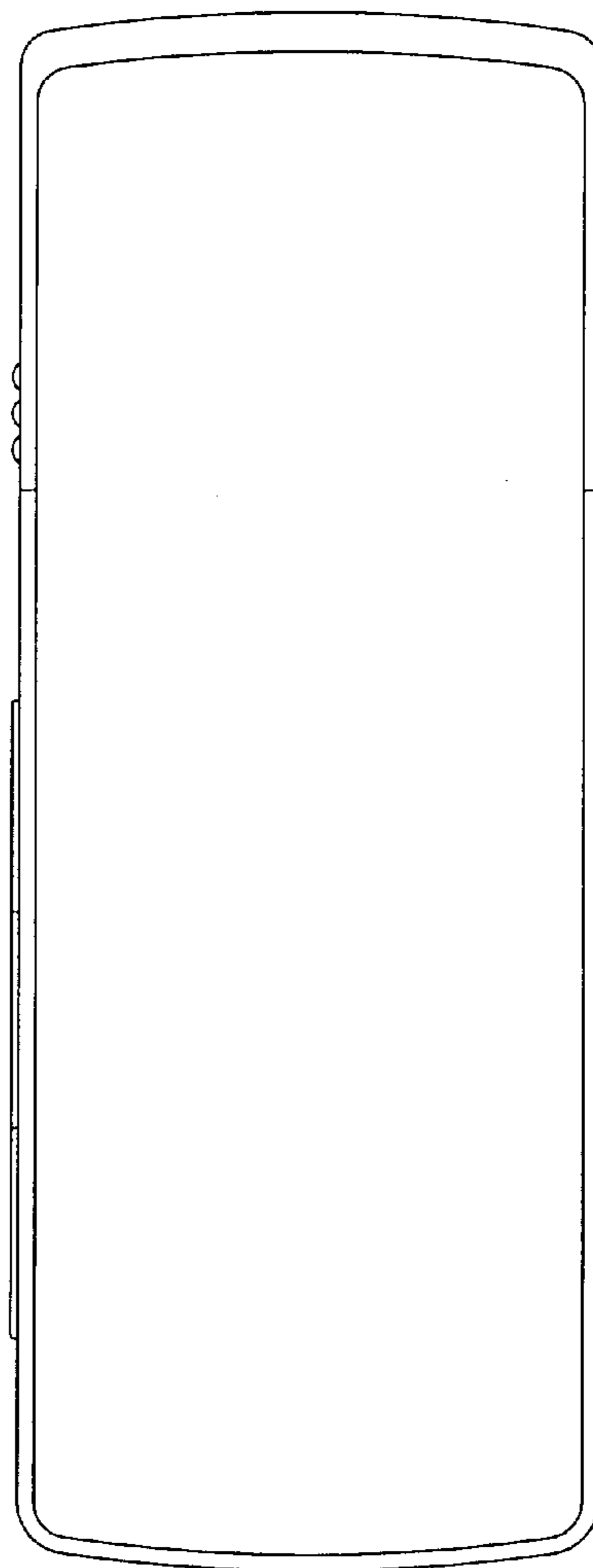


FIG .4

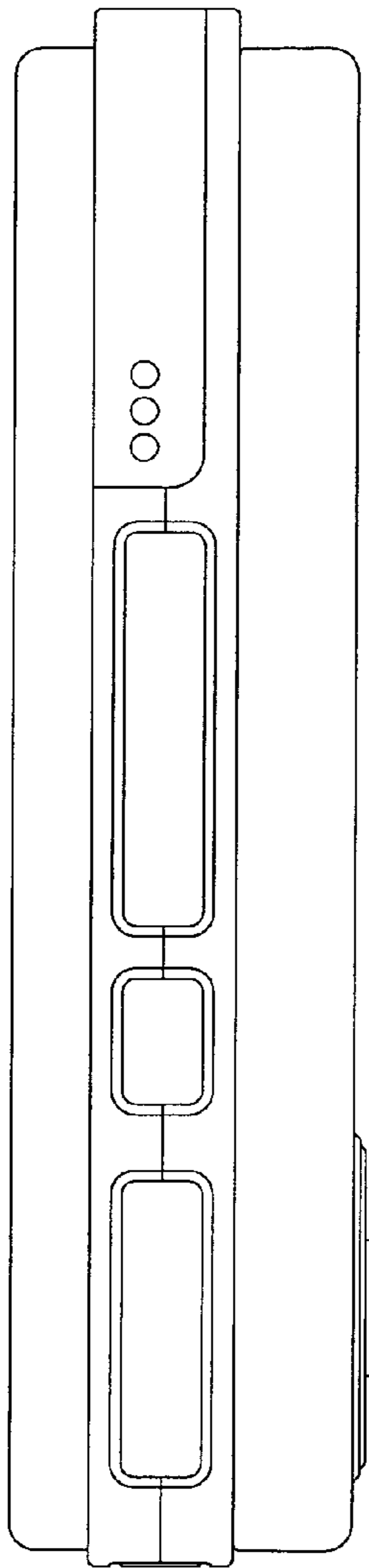


FIG .5

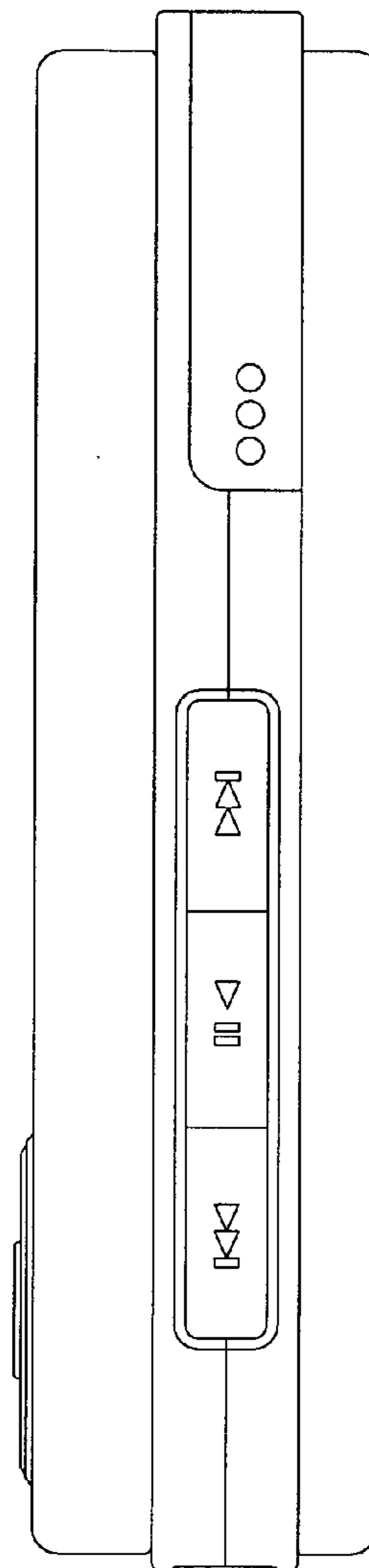


FIG .6

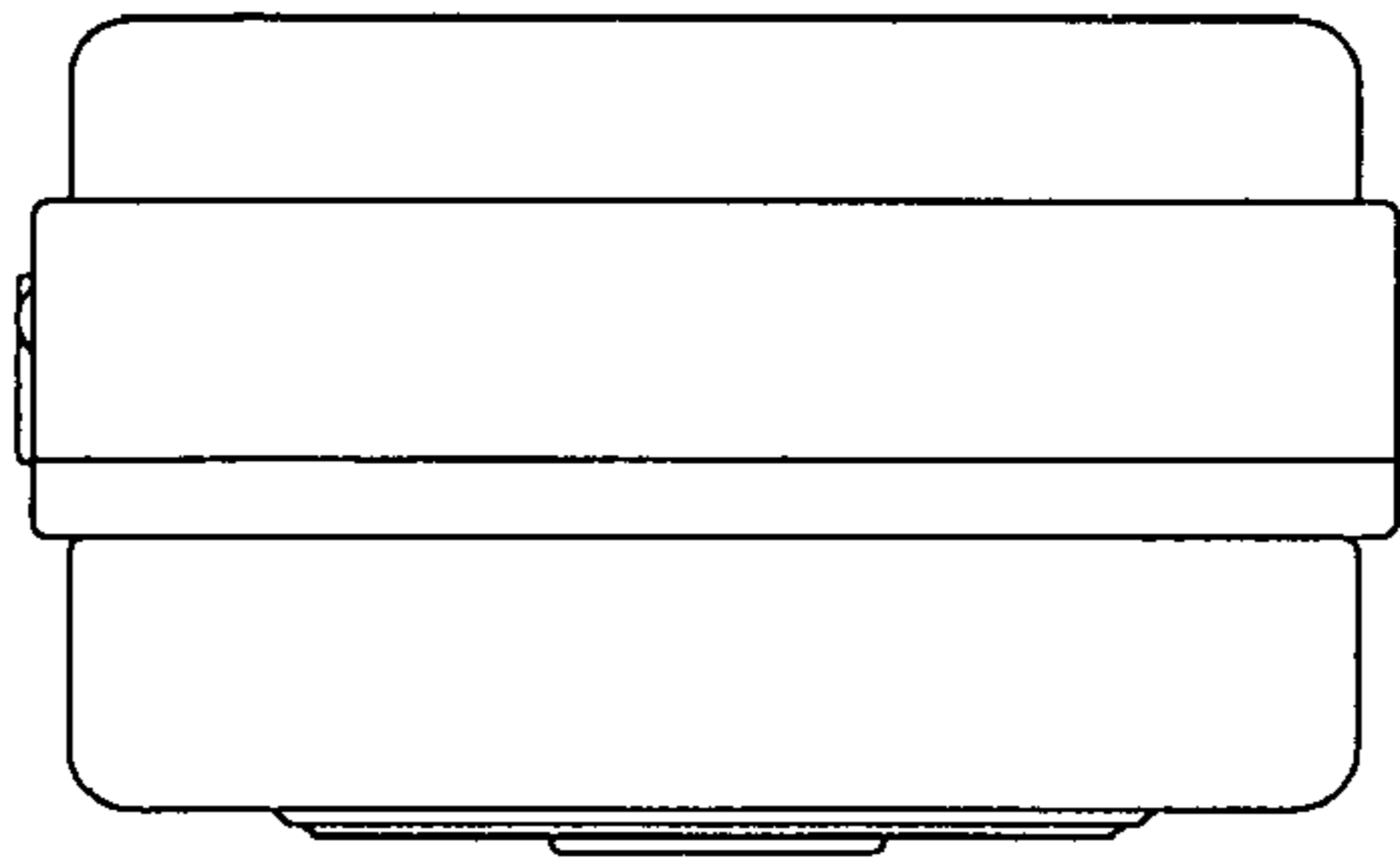


FIG .7

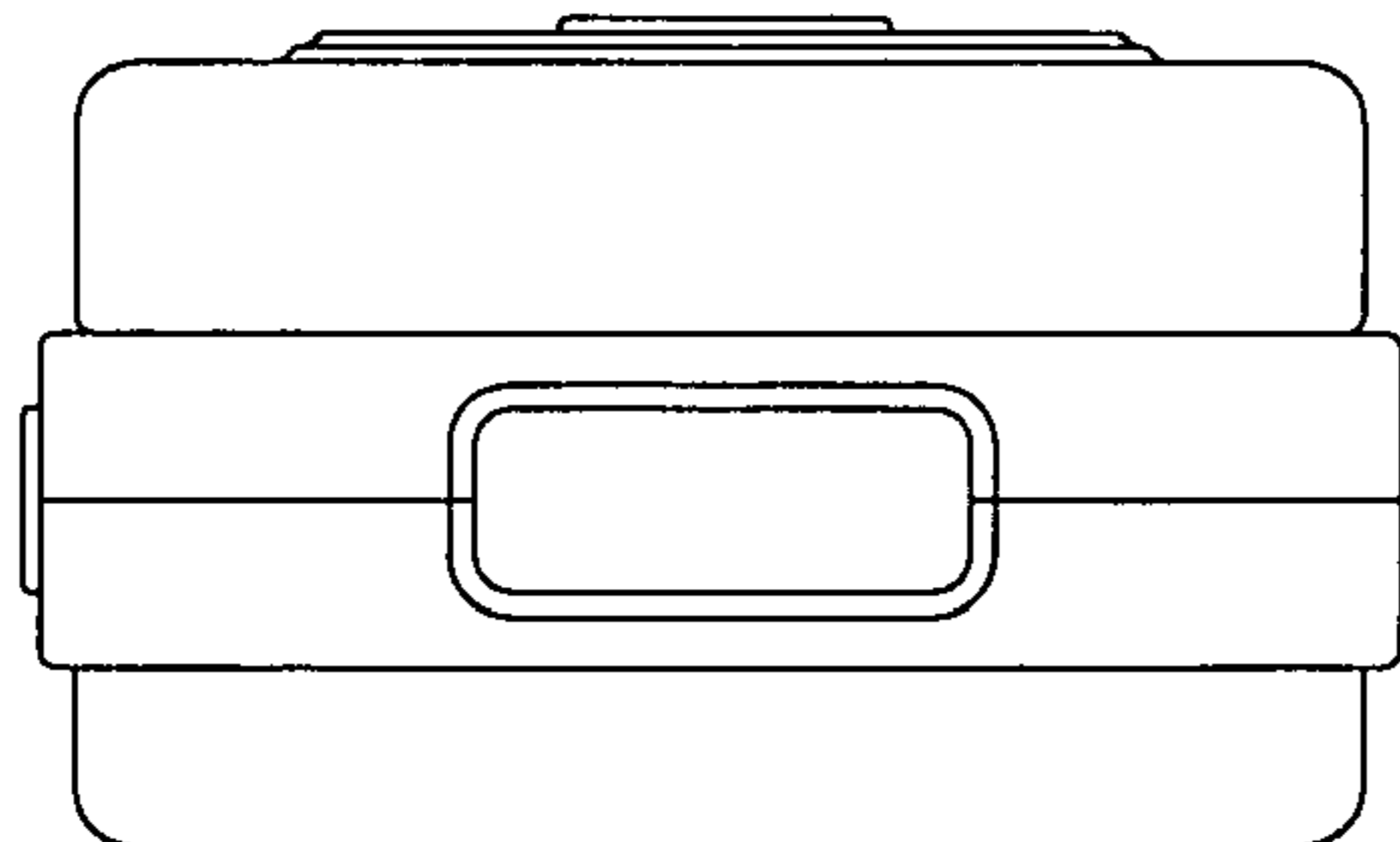


FIG .8

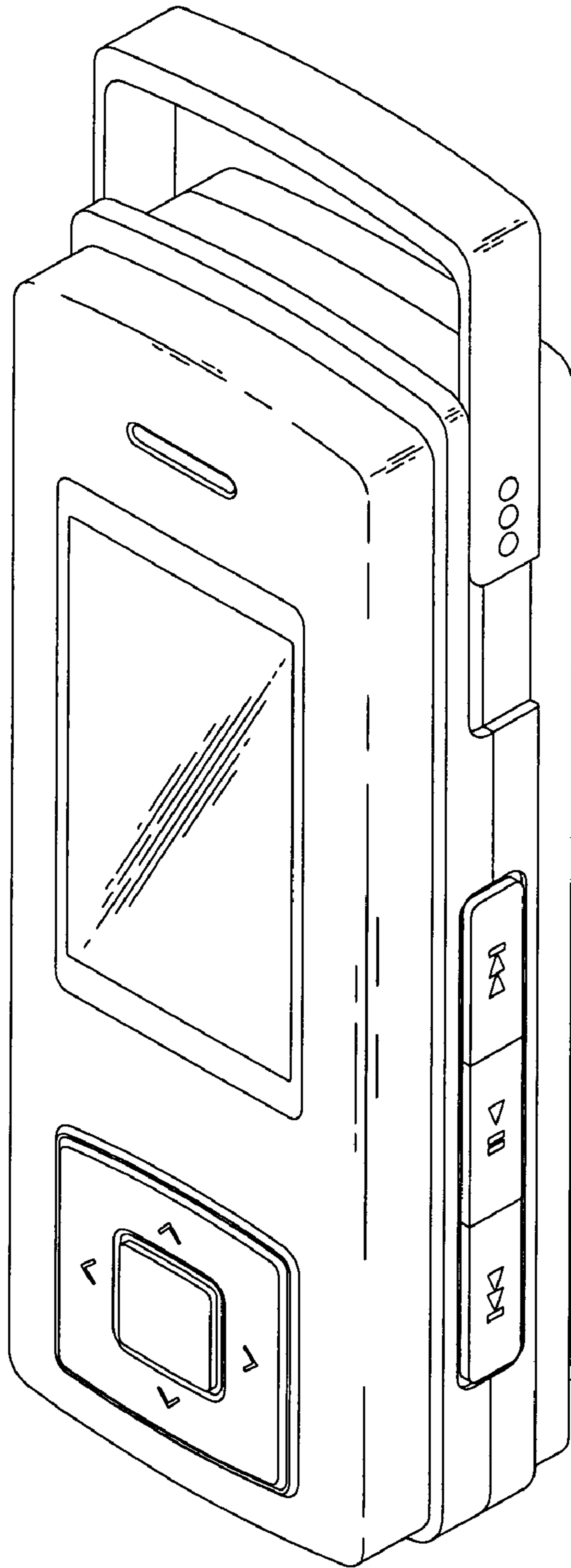


FIG .9

