



US00D567783S

(12) **United States Design Patent**
Lee et al.

(10) **Patent No.:** **US D567,783 S**
(45) **Date of Patent:** **** Apr. 29, 2008**

(54) **PORTABLE PHONE**
(75) Inventors: **Ki-Eon Lee**, Seoul (KR); **Beom-Ku Han**, Seoul (KR); **Chang-Hwan Hwang**, Goyang-Si (KR)
(73) Assignee: **Samsung Electronics Co., Ltd.**, Suwon-Si (KR)
(**) Term: **14 Years**
(21) Appl. No.: **29/262,112**
(22) Filed: **Jun. 27, 2006**
(30) **Foreign Application Priority Data**
Dec. 28, 2005 (KR) 30-2005-0044450
(51) **LOC (8) Cl.** **14-03**
(52) **U.S. Cl.** **D14/138**
(58) **Field of Classification Search** D14/137, D14/138, 147, 218, 341-347; D5/1, 6, 16, D5/24, 32, 34, 37-40, 45, 47, 54, 56, 58, D5/66; 455/90.3, 556.1, 556.2, 575.1, 575.3, 455/575.4; 379/433.01-433.13; 361/814; 348/14.02

See application file for complete search history.

(56) **References Cited**

U.S. PATENT DOCUMENTS

D6,421 S * 2/1873 Heinigke D5/32
D74,351 S * 2/1928 Brown D5/47
D74,658 S * 3/1928 Brown D5/47
D99,939 S * 6/1936 Hafner D5/47
2,253,374 A * 8/1941 Haskell 139/416
3,678,933 A * 7/1972 Moore et al. 604/366
5,520,945 A * 5/1996 Coggins 426/496
D377,458 S * 1/1997 Tsui D10/104
D446,508 S * 8/2001 Yoo et al. D14/138
D447,741 S * 9/2001 Lee et al. D14/138
D464,941 S * 10/2002 Latto et al. D14/156
D475,689 S * 6/2003 Shimazu et al. D14/138
D484,479 S * 12/2003 Park D14/138
D494,948 S * 8/2004 Cho D14/138
D503,694 S * 4/2005 Itano D14/138
D515,527 S * 2/2006 Swallow D14/137
D519,970 S * 5/2006 Kang et al. D14/138
D540,292 S * 4/2007 Lee et al. D14/138
7,206,618 B2 * 4/2007 Latto et al. 455/575.8
D542,255 S * 5/2007 Hong et al. D14/138

D545,798 S * 7/2007 Kimbre D14/138
D551,639 S * 9/2007 Kim D14/138
D551,866 S * 10/2007 Javits, Jr. D5/47
7,280,857 B2 * 10/2007 Geemaert 455/575.4
2005/0054395 A1 * 3/2005 Arbisi et al. 455/575.3
2006/0105820 A1 * 5/2006 Takahashi 455/575.1

OTHER PUBLICATIONS

Samsung E530, announced 1st quarter 2005, [online], [retrieved on Nov. 27, 2007]. Retrieved from Internet ,<URL: http://www.gsmarena.com>.*

Siemens CL75, announced 1st quarter 2005, [online], [retrieved on Nov. 4, 2007]. Retrieved from Internet ,<URL: http://www.gsmarena.com>.*

* cited by examiner

Primary Examiner—Jeffrey Asch
Assistant Examiner—Bridget L Eland
(74) *Attorney, Agent, or Firm*—Staas & Halsey LLP

(57) **CLAIM**

The ornamental design for the portable phone, as shown and described.

DESCRIPTION

This application claims subject matter that is related to that shown in co-pending U.S. application Ser. No. 29/232,777, filed Dec. 24, 2005, and claiming the benefit of Korean Patent Application Serial No. 30-2004-0039877, filed Dec. 24, 2004.

FIG. 1 is a perspective view of the portable phone showing our design;

FIG. 2 is a front view thereof;

FIG. 3 is a rear view thereof;

FIG. 4 is a left side view thereof;

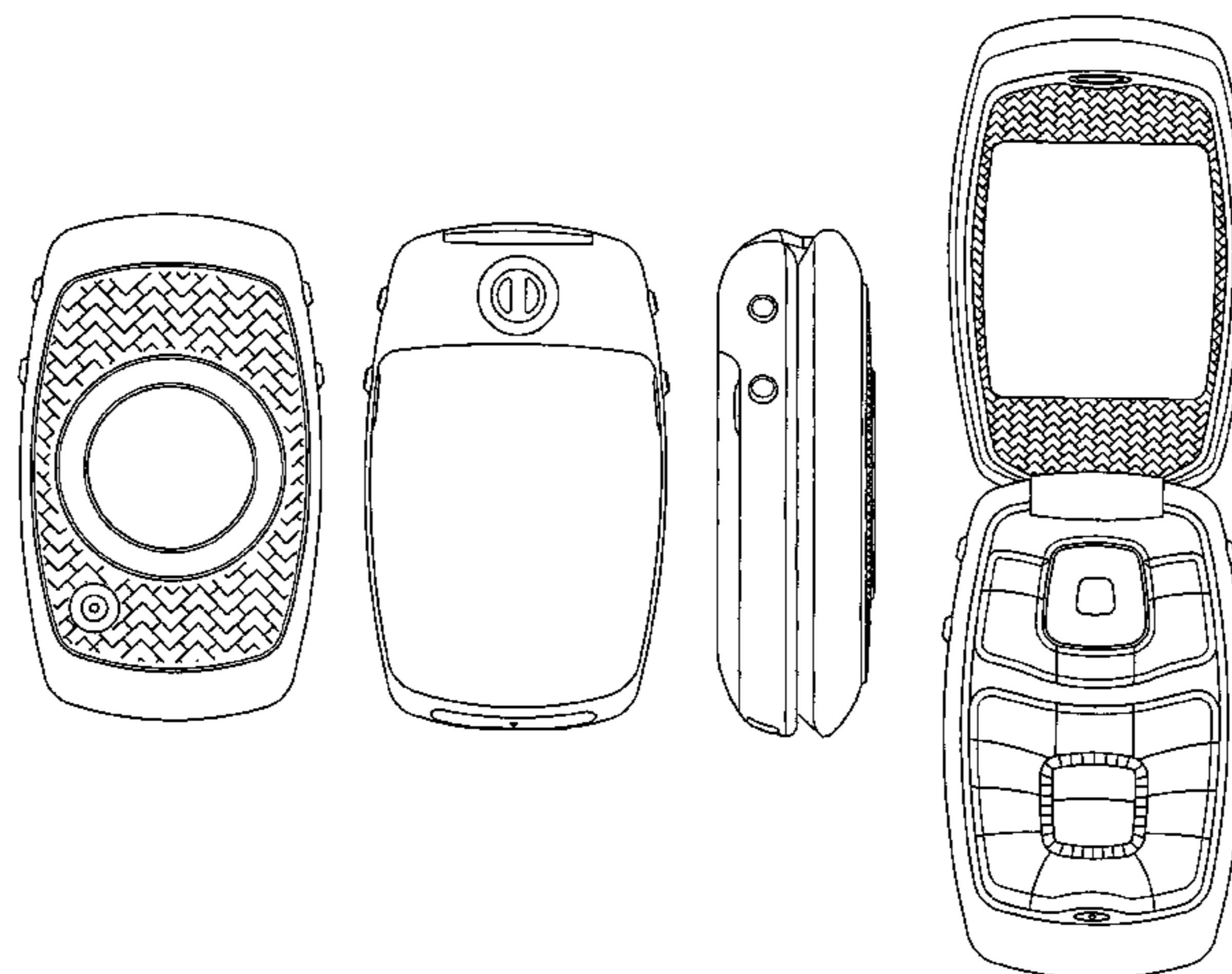
FIG. 5 is a right side view thereof;

FIG. 6 is a top plan view thereof;

FIG. 7 is a bottom plan view thereof; and,

FIG. 8 is a front, open view thereof.

1 Claim, 5 Drawing Sheets



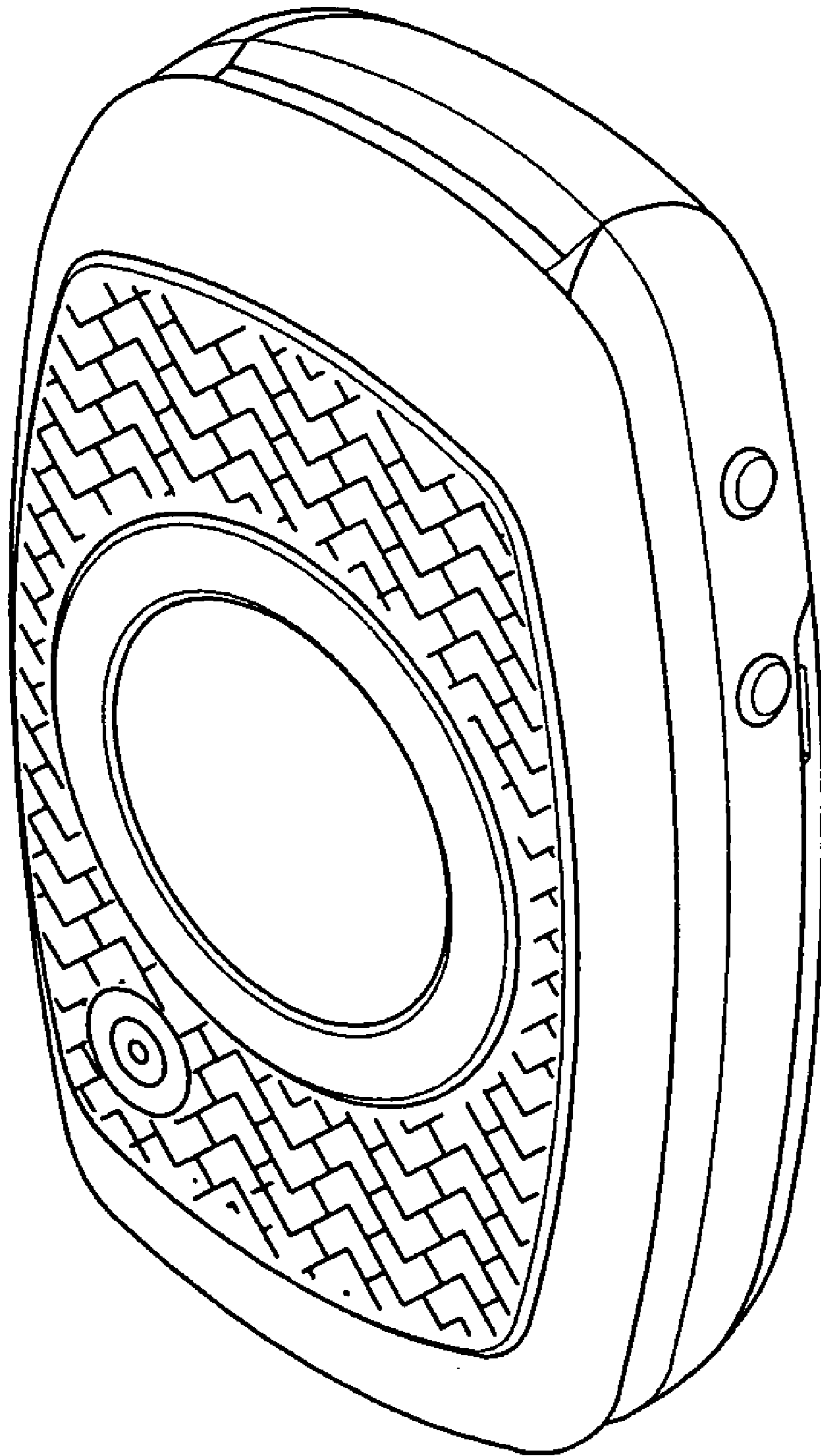


FIGURE 1

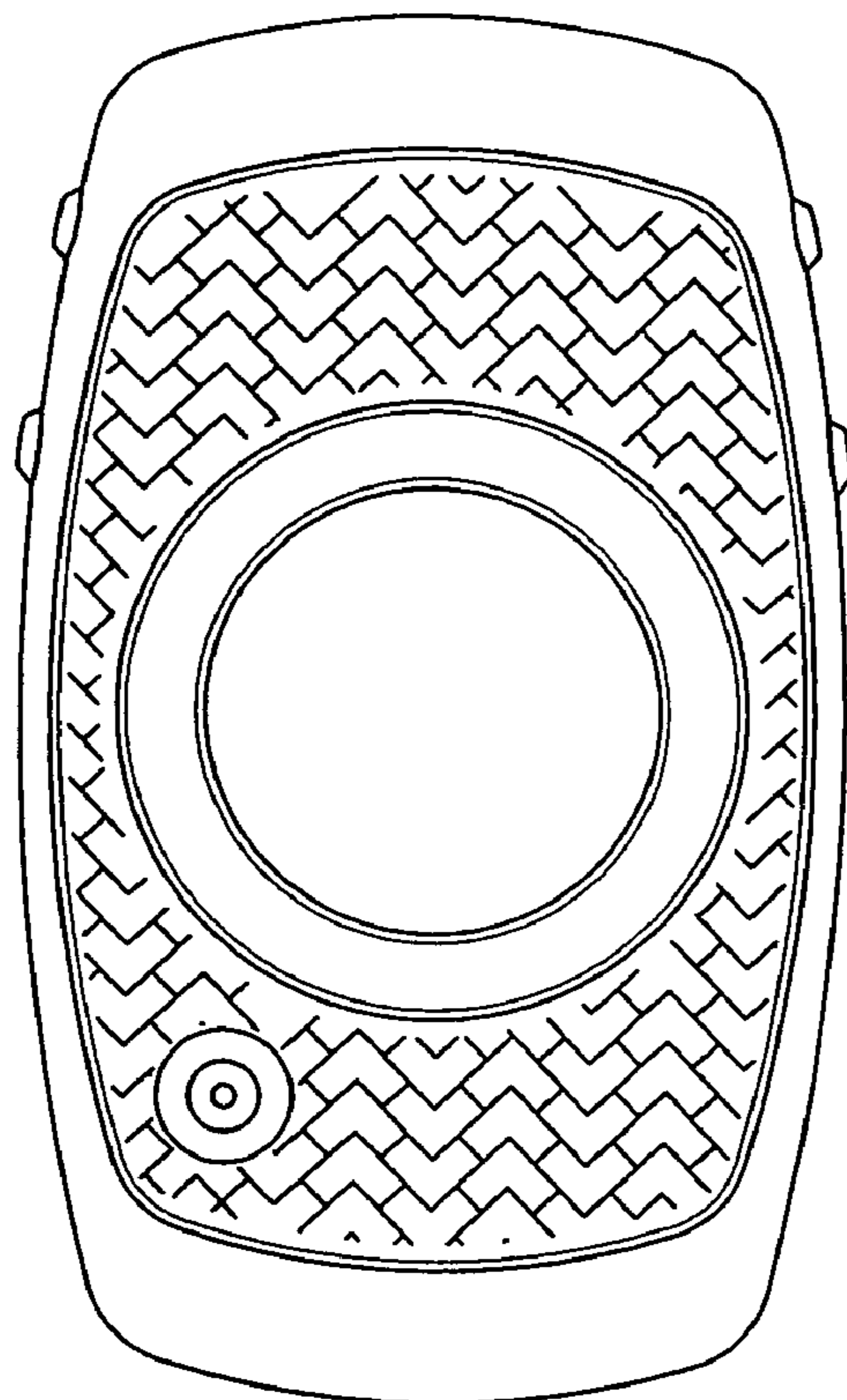


FIGURE 2

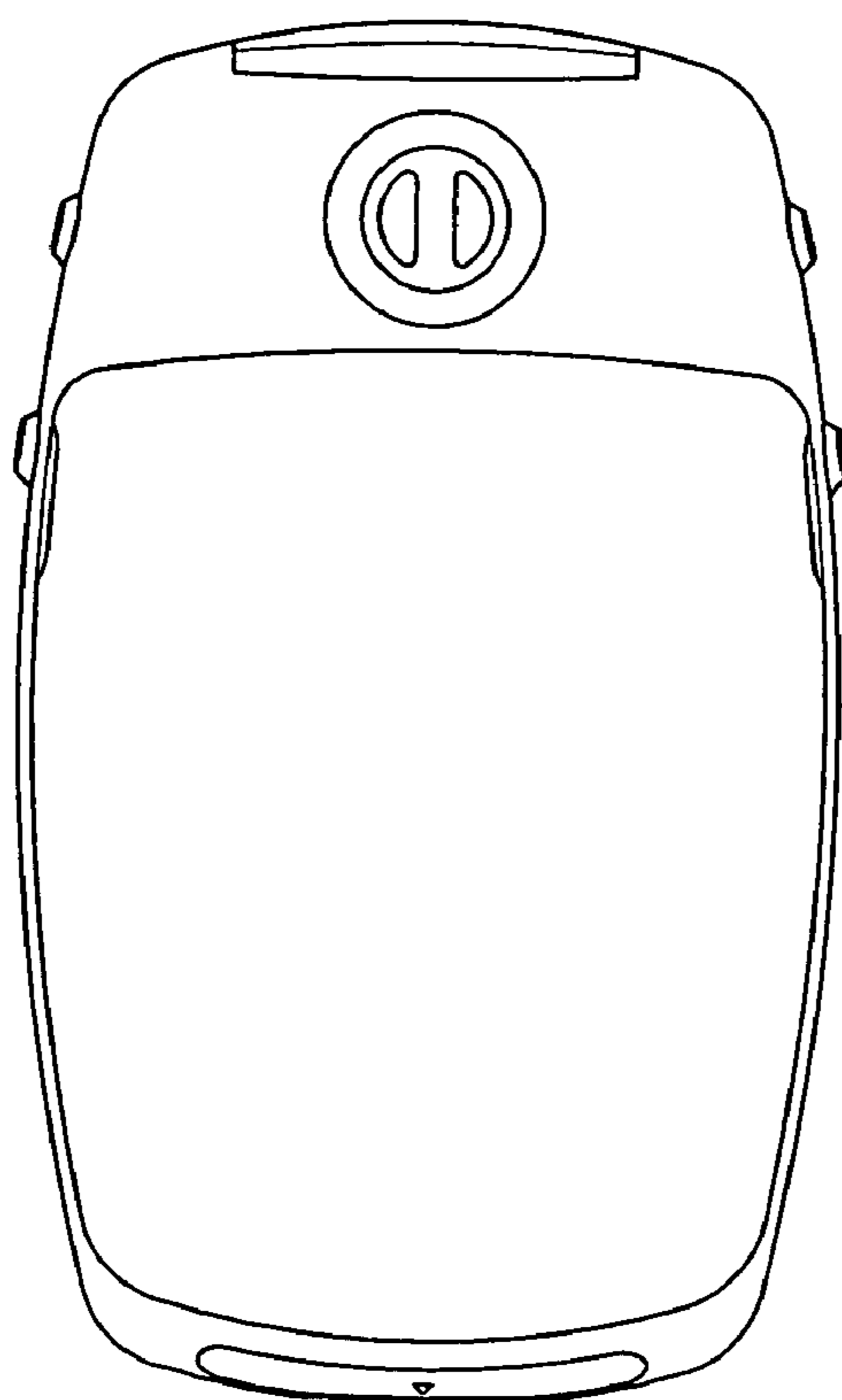


FIGURE 3

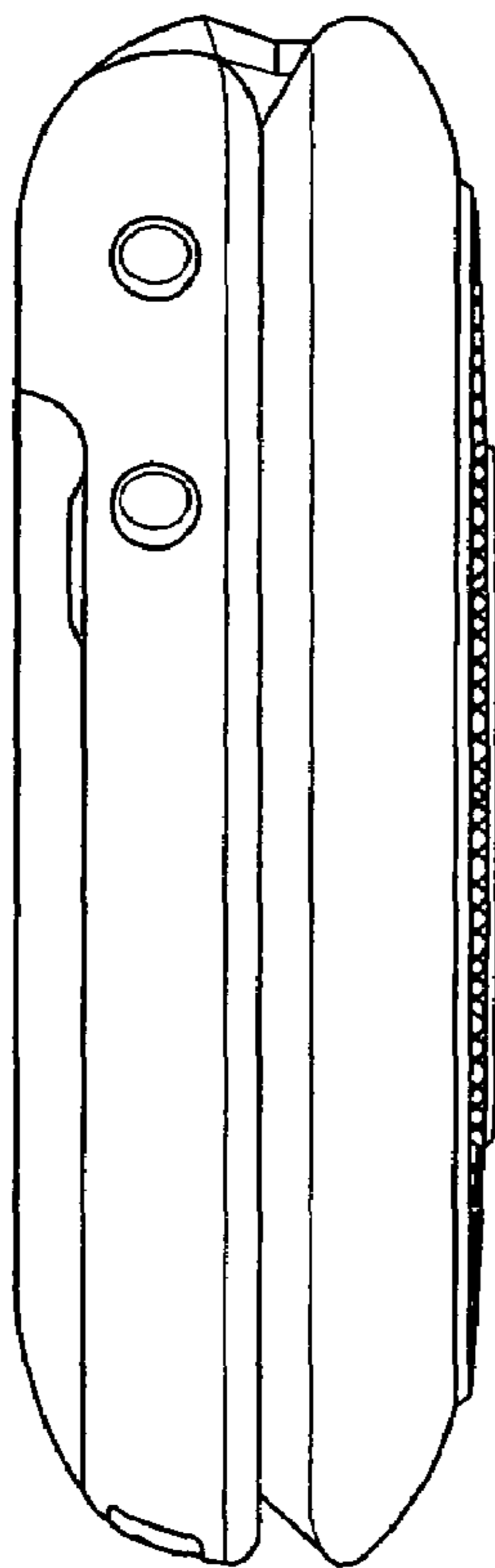


FIGURE 4

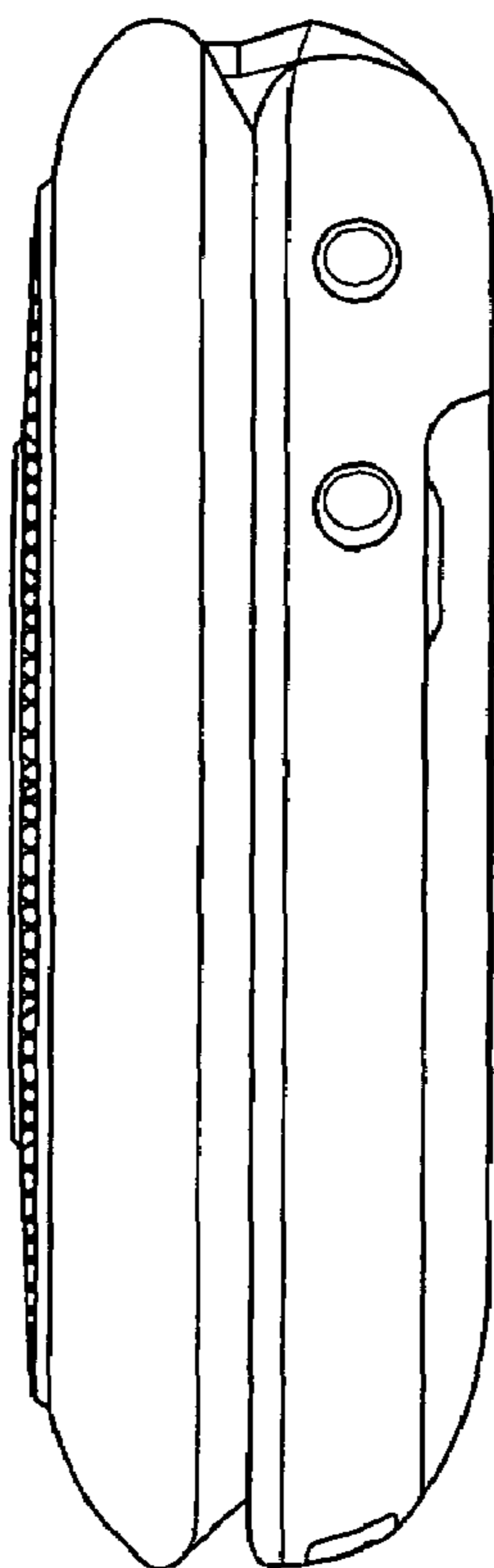


FIGURE 5

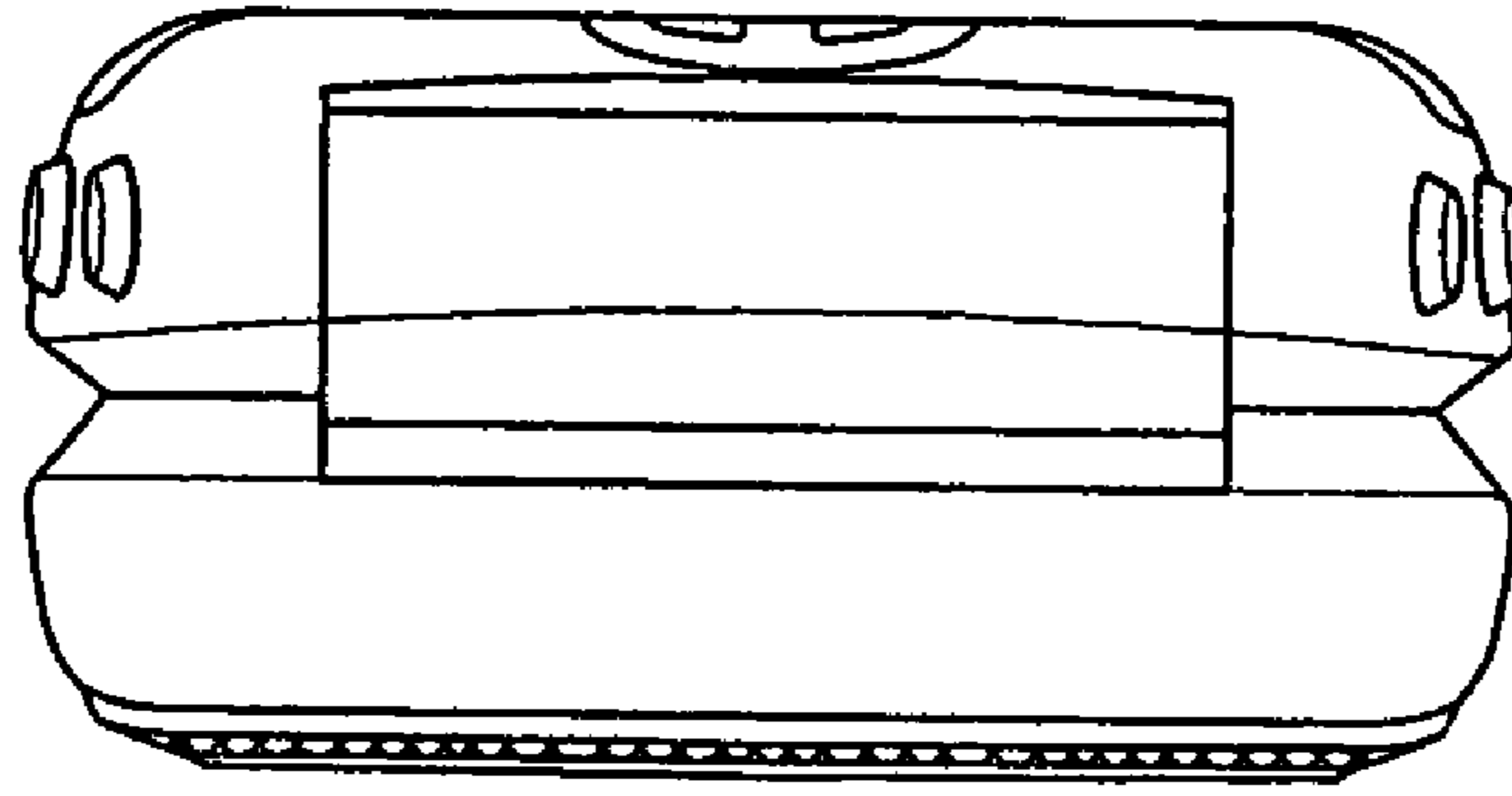


FIGURE 6

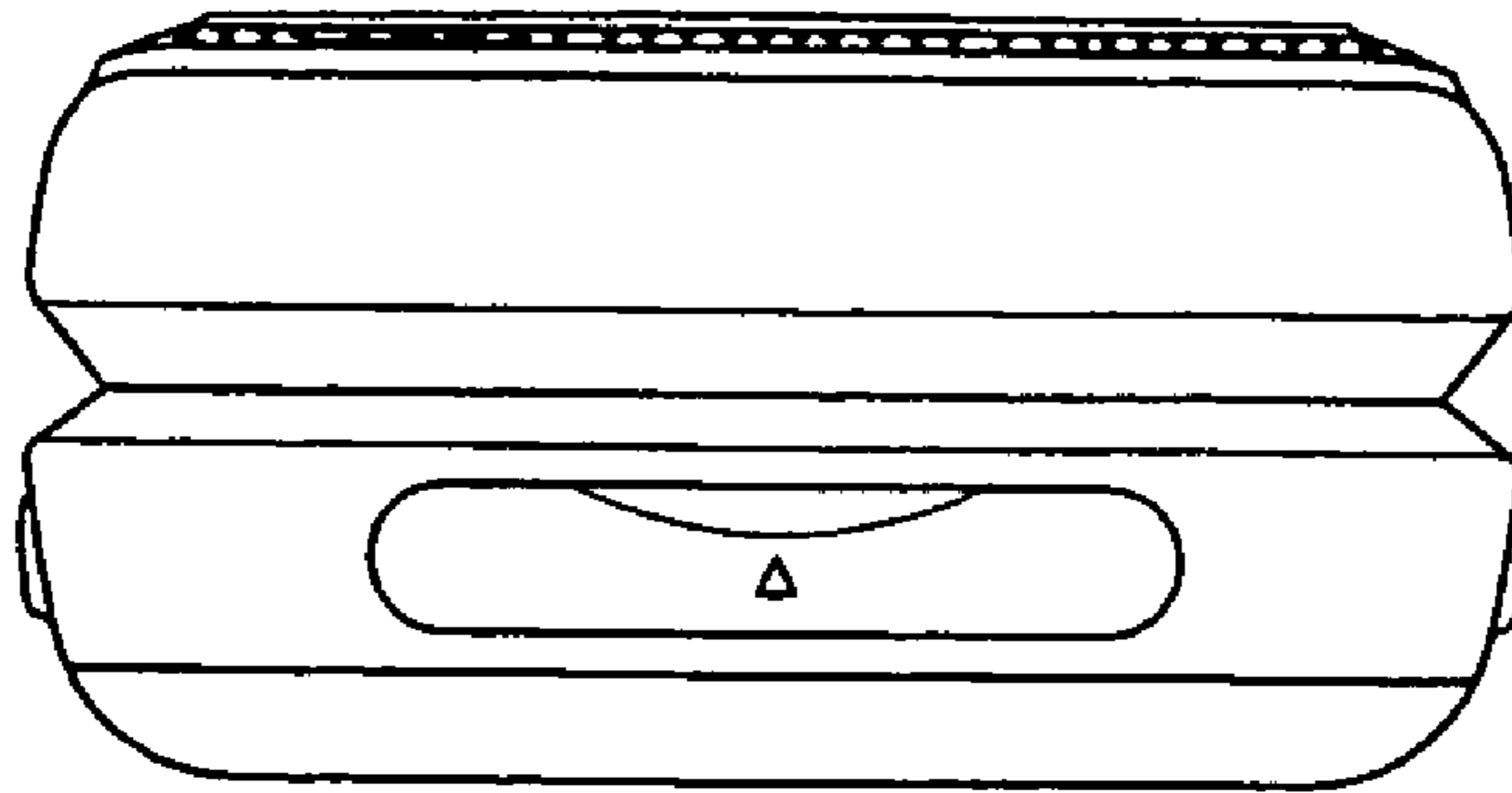


FIGURE 7

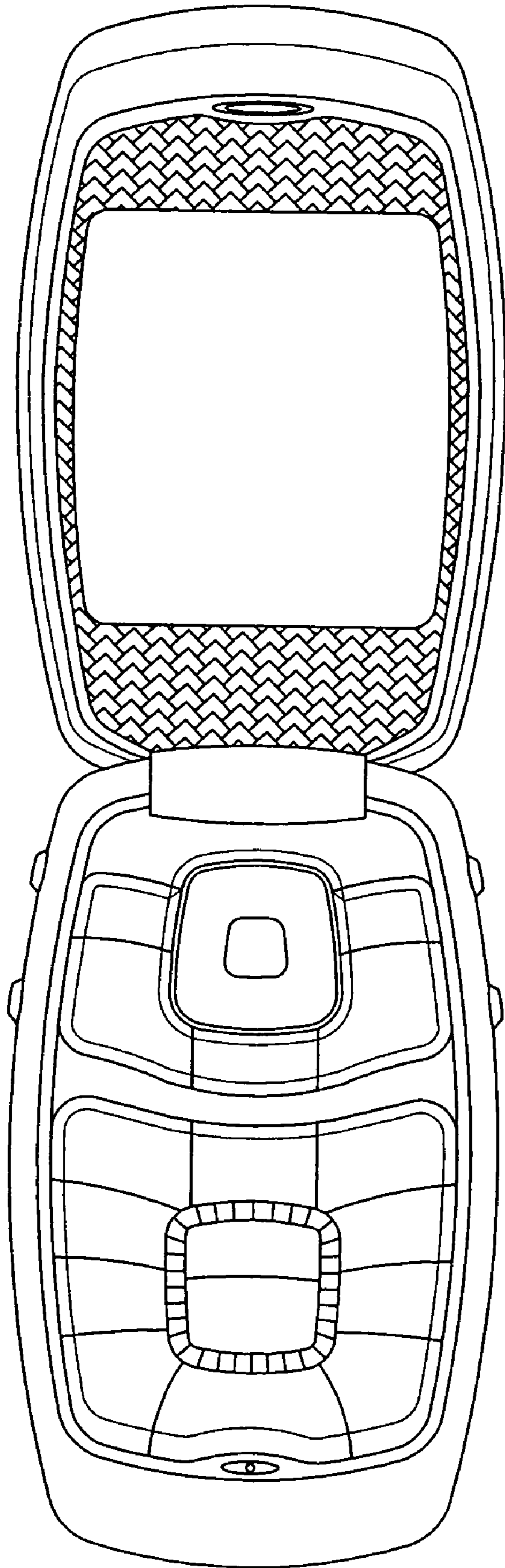


FIGURE 8