

US00D567780S

(12) **United States Design Patent**
Kim et al.

(10) **Patent No.:** **US D567,780 S**
(45) **Date of Patent:** **** Apr. 29, 2008**

(54) **MOBILE PHONE**

(75) Inventors: **Young-Sae Kim**, Los Altos, CA (US);
Chi-Young Ahn, Seoul (KR);
Young-Ju Yeo, Seoul (KR);
Chang-Hwan Hwang, Goyang-si (KR)

(73) Assignee: **Samsung Electronics Co., Ltd.**,
Suwon-Si (KR)

(**) Term: **14 Years**

(21) Appl. No.: **29/254,289**

(22) Filed: **Feb. 22, 2006**

(30) **Foreign Application Priority Data**

Nov. 18, 2005 (KR) 30-2005-0038971

(51) **LOC (8) Cl.** **14-03**

(52) **U.S. Cl.** **D14/138**

(58) **Field of Classification Search** D14/496,
D14/138, 341-347; 455/575.3, 575.1; D21/517,
D21/329, 333

See application file for complete search history.

(56) **References Cited**

U.S. PATENT DOCUMENTS

D321,865	S *	11/1991	Derocher	D14/345
5,260,998	A *	11/1993	Takagi	379/433.13
D352,503	S *	11/1994	Nagele	D14/138
D379,983	S *	6/1997	Shindou	D14/138
5,937,360	A *	8/1999	Nishiyama et al.	455/566
D449,605	S *	10/2001	Schebesch et al.	D14/345
D482,030	S *	11/2003	Kataoka	D14/345
D488,154	S *	4/2004	Lovelady et al.	D14/345
D518,467	S *	4/2006	Kim et al.	D14/138
D536,320	S *	2/2007	Michaels	D14/138
D537,059	S *	2/2007	Hwang	D14/138
D540,769	S *	4/2007	Lee et al.	D14/138
D541,248	S *	4/2007	Lee et al.	D14/138
D543,172	S *	5/2007	Lee et al.	D14/138
D546,307	S *	7/2007	Lee	D14/138
D546,795	S *	7/2007	Kim et al.	D14/138
D551,642	S *	9/2007	Kim et al.	D14/138

D551,643	S *	9/2007	Kim et al.	D14/138
D551,644	S *	9/2007	Kim et al.	D14/138
D552,065	S *	10/2007	Kim et al.	D14/138
2003/0109232	A1 *	6/2003	Park et al.	455/90
2005/0113156	A1 *	5/2005	Park et al.	455/575.4
2005/0227747	A1 *	10/2005	Song	455/575.3
2006/0111146	A1 *	5/2006	Kim	455/557
2006/0135225	A1 *	6/2006	Lin et al.	455/575.3
2007/0123325	A1 *	5/2007	Kim et al.	455/575.3

OTHER PUBLICATIONS

Nokia N93 telephone, announced Apr. 2006, [online], [site visited Dec. 9, 2007]. Available from Internet ,<URL: <http://www.gsmarena.com>>.*

Nokia N90 telephone, announced 2nd quarter 2005, [online], [site visited Dec. 9, 2007]. Available from Internet ,<URL: <http://www.gsmarena.com>>.*

Samsung E870 telephone, announced 1st quarter 2006, [online], [site visited Dec. 9, 2007]. Available from Internet ,<URL: <http://www.gsmarena.com>>.*

(Continued)

Primary Examiner—Jeffrey Asch

(74) *Attorney, Agent, or Firm*—Staas & Halsey LLP

(57) **CLAIM**

The ornamental design for the mobile phone, as shown and described.

DESCRIPTION

FIG. 1 is a perspective view of the mobile phone showing our design;

FIG. 2 is a front view thereof;

FIG. 3 is a rear view thereof;

FIG. 4 is a left side view thereof;

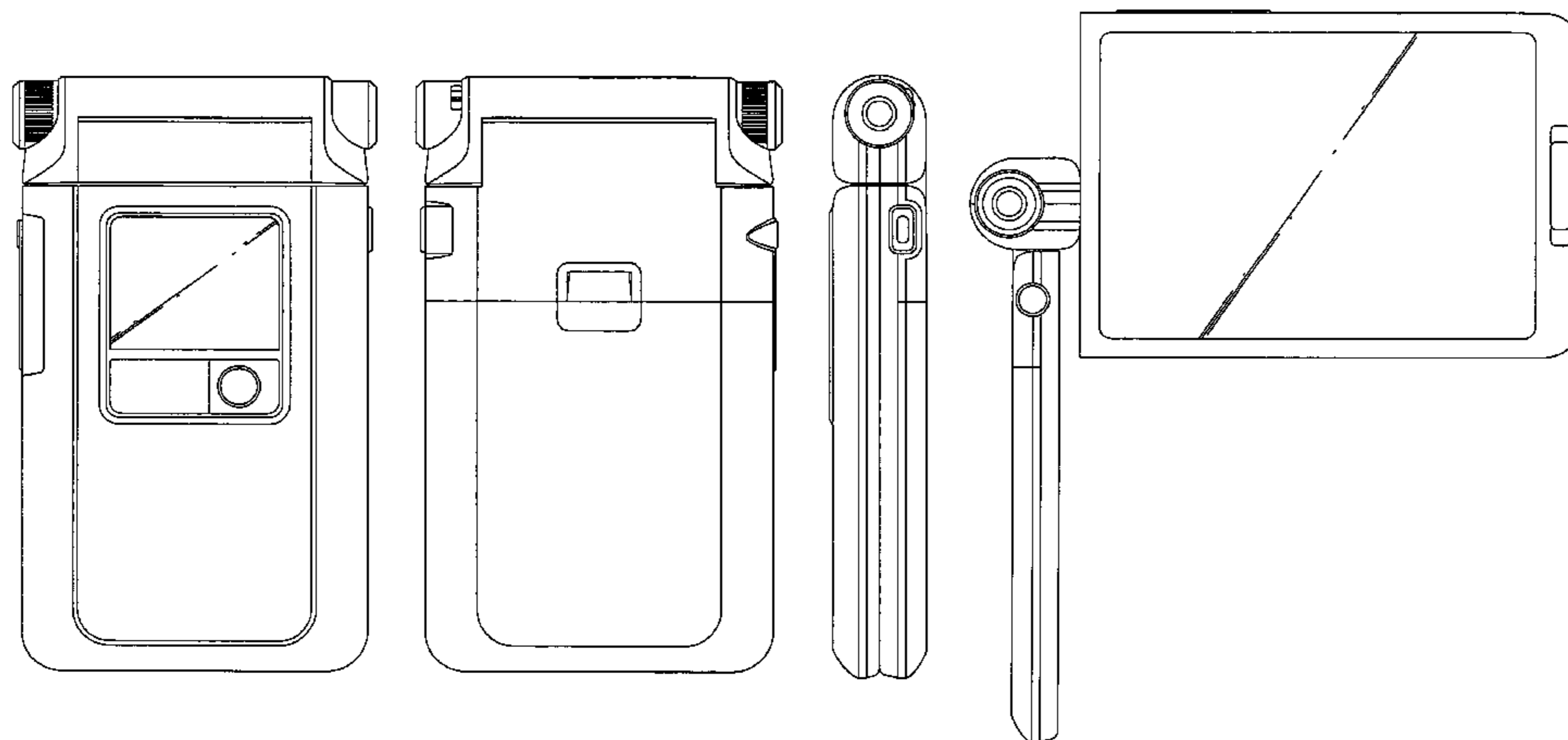
FIG. 5 is a right side view thereof;

FIG. 6 is a top plan view thereof;

FIG. 7 is a bottom plan view thereof; and,

FIG. 8 is a left side, open view thereof.

1 Claim, 5 Drawing Sheets



OTHER PUBLICATIONS

Samsung D810 telephone, announced 1st quarter 2006, [online], [site visited Dec. 9, 2007]. Available from Internet ,<URL: <http://www.gsmarena.com>>.*

Samsung Z510 telephone, announced 4th quarter 2005, [online], [site visited Dec. 9, 2007]. Available from Internet ,<URL: <http://www.gsmarena.com>>.*

NEC 802 telephone, announced 3rd quarter 2004, [online], [site visited Dec. 9, 2007]. Available from Internet ,<URL: <http://www.gsmarena.com>>.*

Samsung D700 telephone, announced 3rd quarter 2003, [online], [site visited Dec. 9, 2007]. Available from Internet ,<URL: <http://www.gsmarena.com>>.*

* cited by examiner

FIG. 1

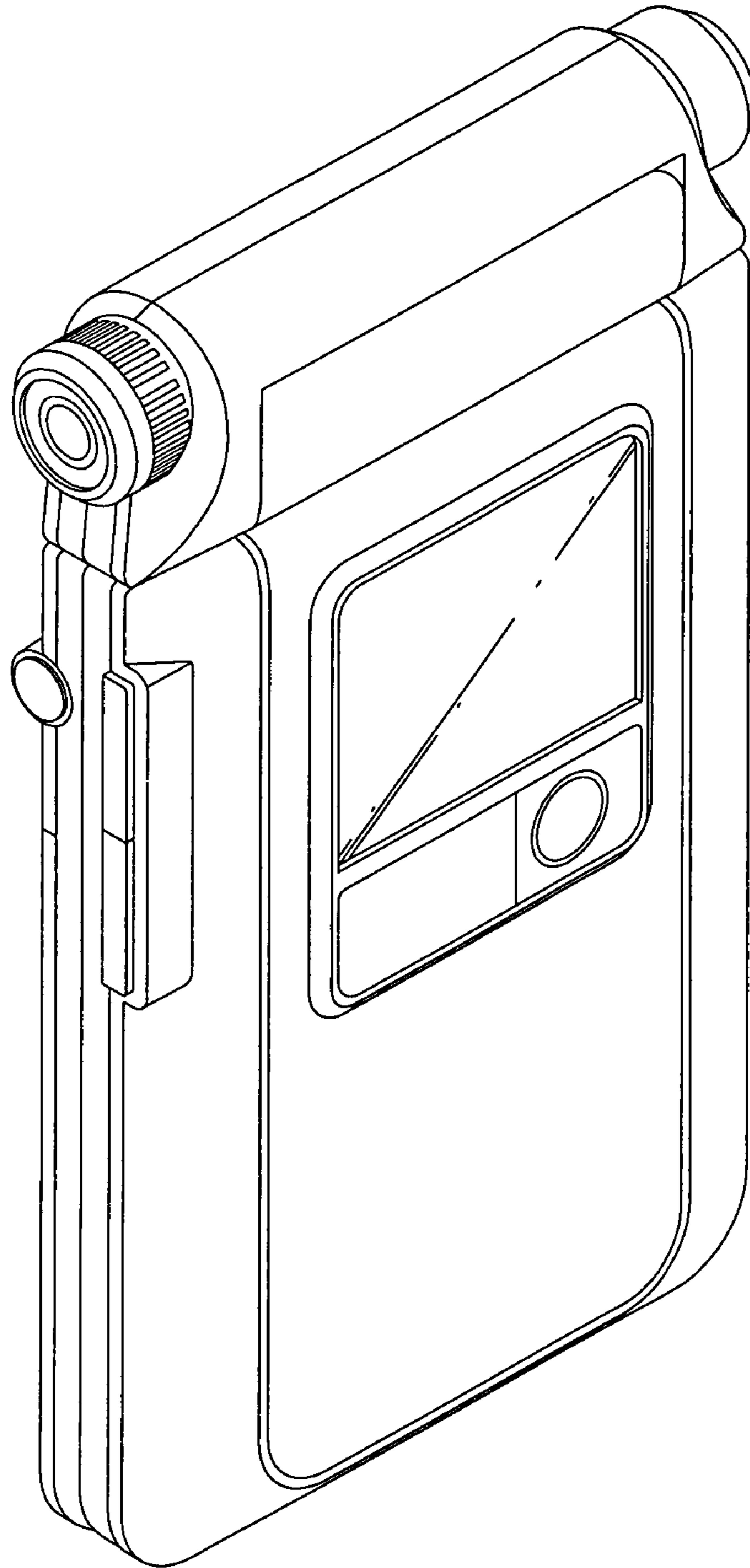


FIG. 2

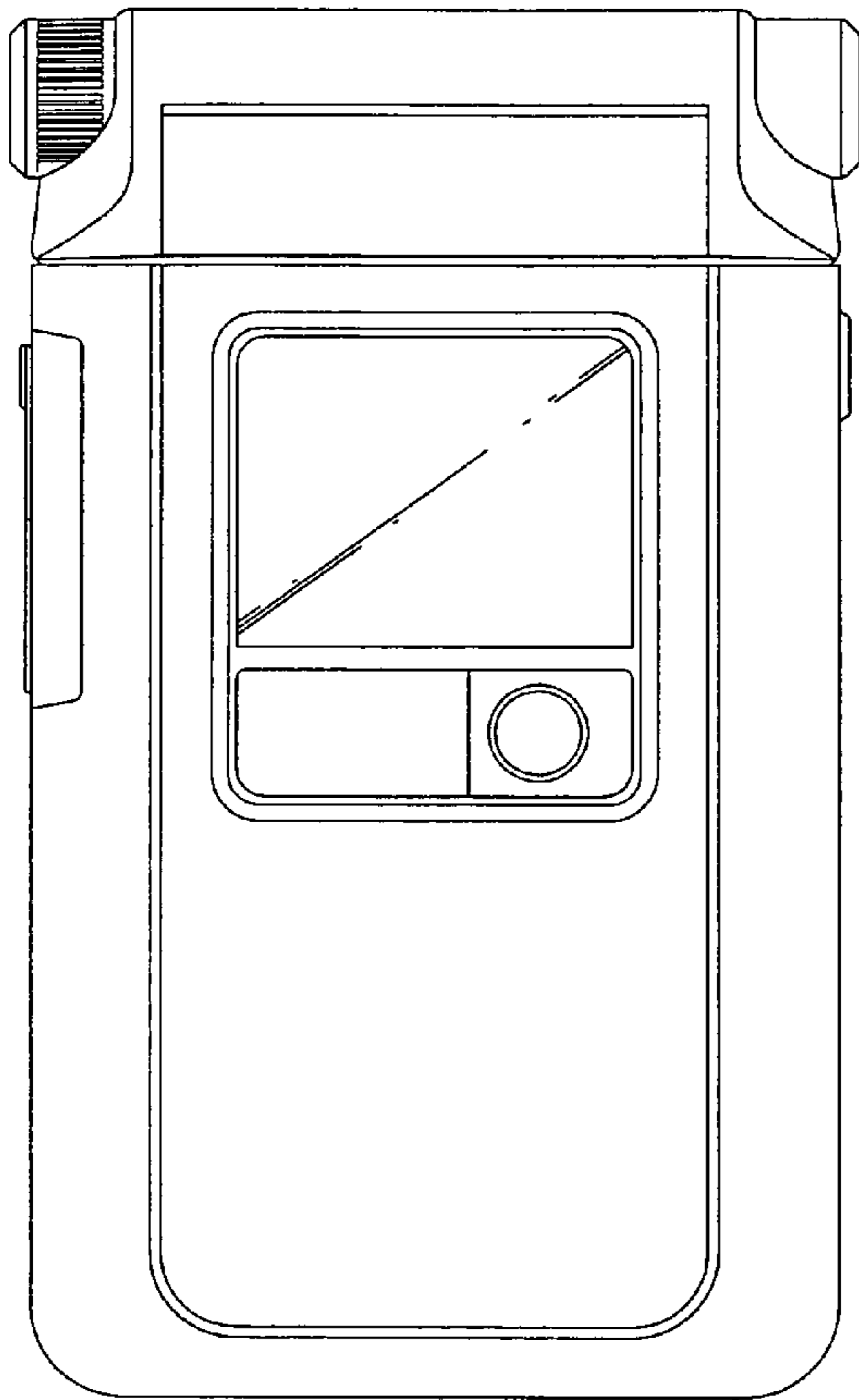


FIG. 3

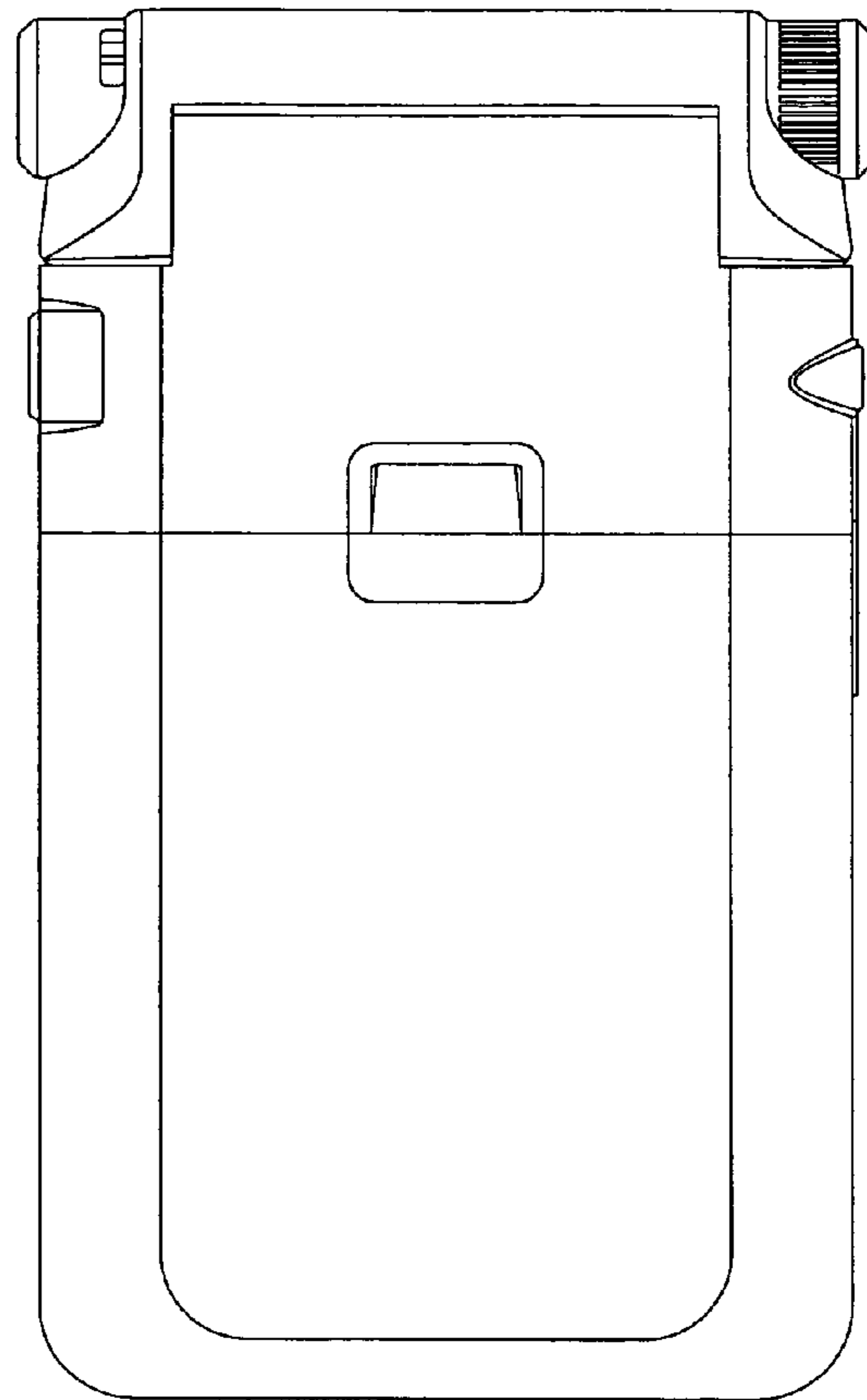


FIG. 4

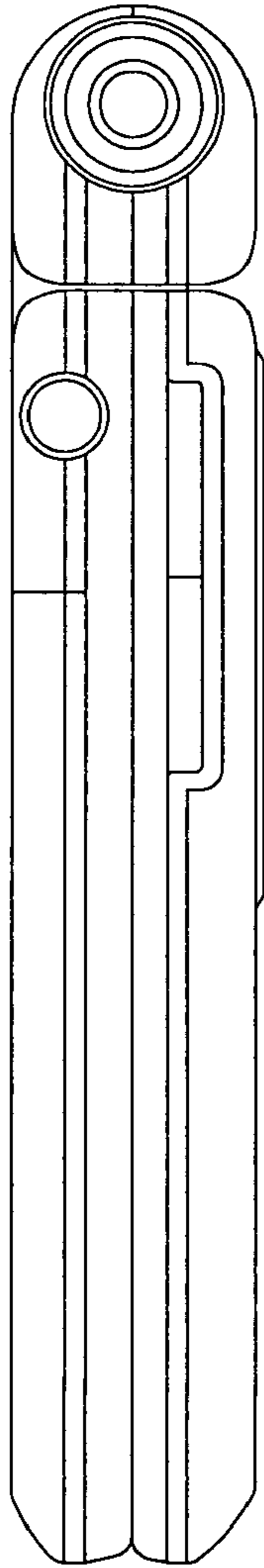


FIG. 5

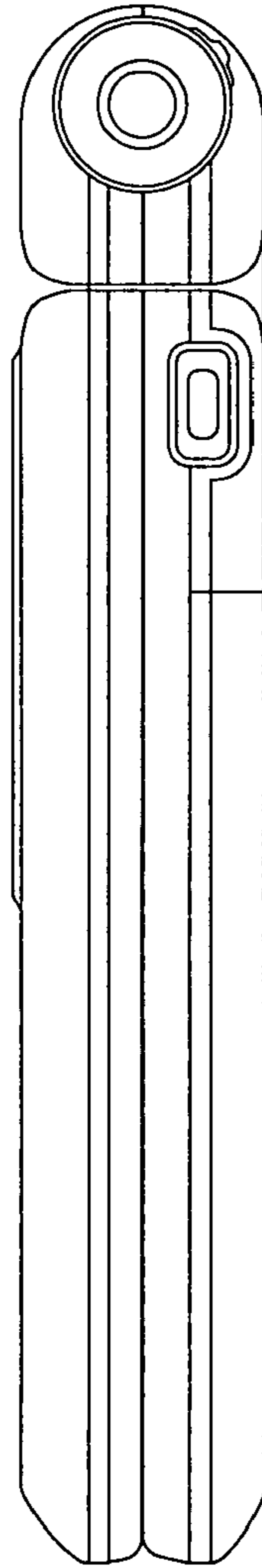


FIG. 6

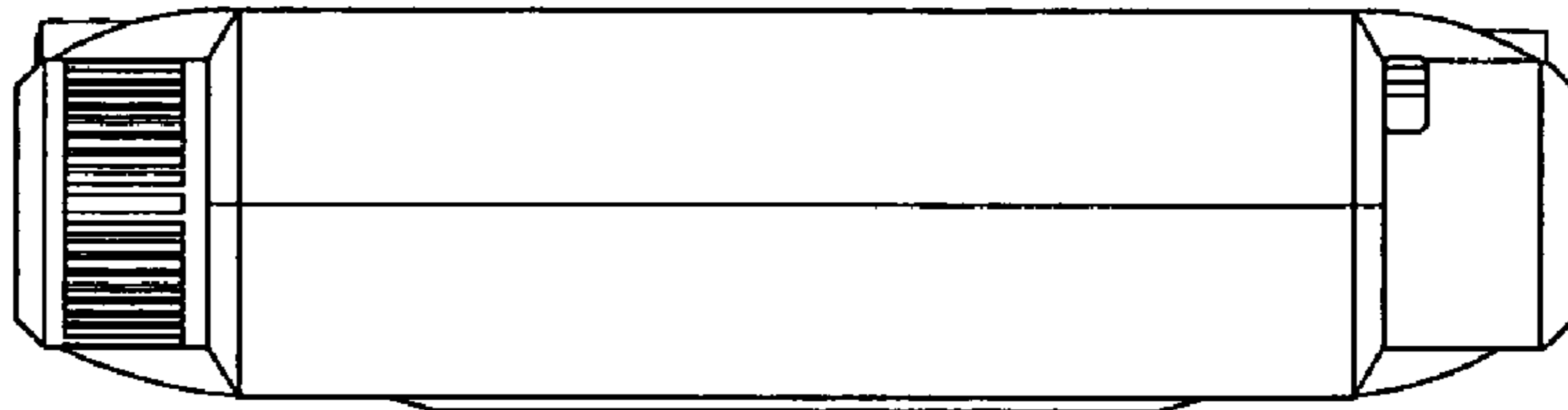


FIG. 7

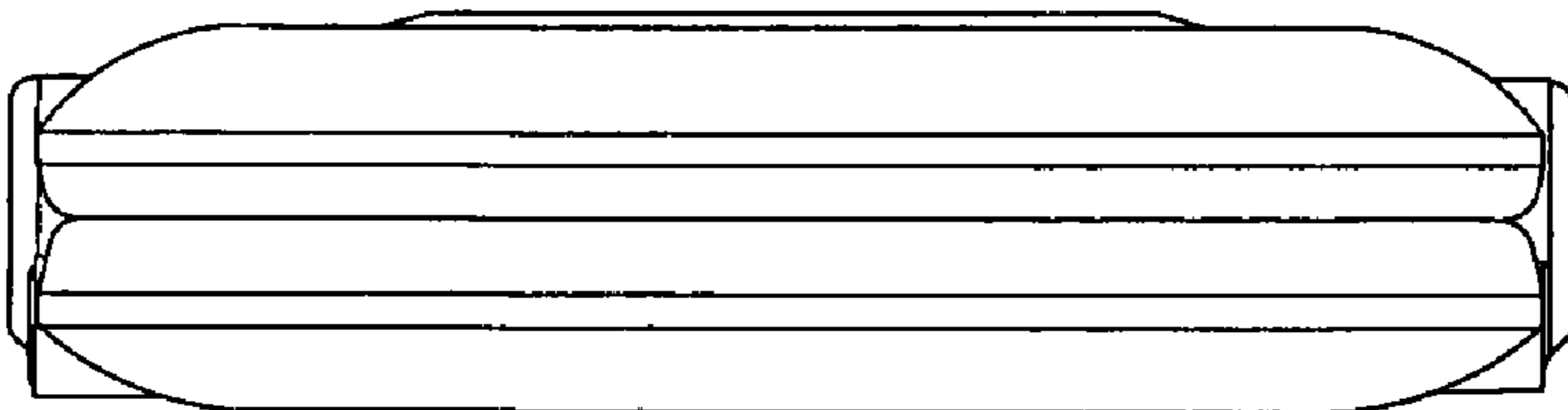


FIG. 8

