

US00D567776S

(12) **United States Design Patent** (10) **Patent No.:** **US D567,776 S**
Wells (45) **Date of Patent:** **** Apr. 29, 2008**

(54) **STORAGE UNIT FOR ELECTRONIC DEVICES**

2005/0199459 A1 9/2005 Harvey

* cited by examiner

(75) Inventor: **Robbie David Wells**, Auckland (NZ)

Primary Examiner—Robert M. Spear

Assistant Examiner—Anna K Dworzecka

(73) Assignee: **Thureon Limited**, Parnell, Auckland (NZ)

(74) *Attorney, Agent, or Firm*—Dann, Dorfman, Herrell and Skillman, P.C.

(**) Term: **14 Years**

(57) **CLAIM**

(21) Appl. No.: **29/261,350**

The ornamental design for a storage unit for electronic devices, as shown and described.

(22) Filed: **Jun. 13, 2006**

DESCRIPTION

(51) **LOC (8) Cl.** **13-99**

FIG. 1 is a top front left-side perspective view of a storage unit for electronic devices showing my new design;

(52) **U.S. Cl.** **D13/184**

FIG. 2 is a top rear right-side perspective view thereof with door panels of the storage unit in an open position;

(58) **Field of Classification Search** D14/300,

D14/301, 302, 308, 310, 312, 356-368, 349,

D14/142, 240, 433; D13/184, 199, 162,

D13/156, 164; 190/108, 18, 1, 3; 206/511

See application file for complete search history.

FIG. 3 is a top plan view thereof;

FIG. 4 is a bottom plan view thereof;

(56) **References Cited**

FIG. 5 is a left-side view thereof, the right-side being a mirror image thereof;

U.S. PATENT DOCUMENTS

FIG. 6 is a front end view thereof;

D364,618 S * 11/1995 Somoza D14/142

FIG. 7 is a rear end view thereof; and,

D370,004 S * 5/1996 Robinson D13/156

FIG. 8 is a top left-side perspective view thereof with the doors of the storage unit in the open position.

D377,652 S * 1/1997 Sarkiniemi D14/240

The features shown in broken lines in the drawing figures are environmental structure that form no part of the design to be patented.

D438,532 S * 3/2001 Gargani et al. D14/240

D456,364 S * 4/2002 Suen D13/162

D469,743 S * 2/2003 Bergmann D13/164

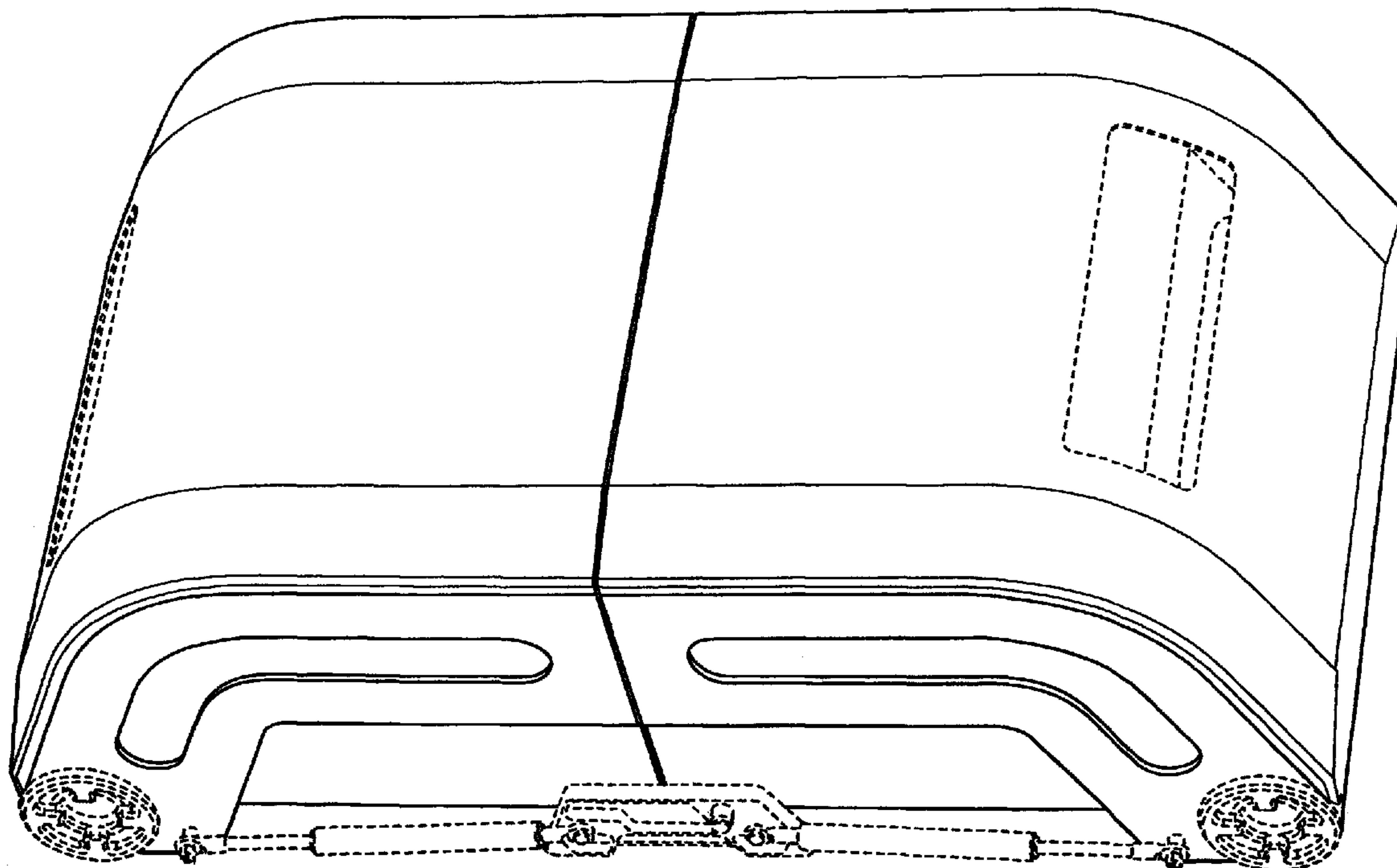
D470,826 S * 2/2003 Bergmann D13/184

D471,182 S * 3/2003 Cheung D14/240

D473,221 S * 4/2003 Gargani et al. D14/240

D486,829 S * 2/2004 Wang et al. D14/433

1 Claim, 8 Drawing Sheets



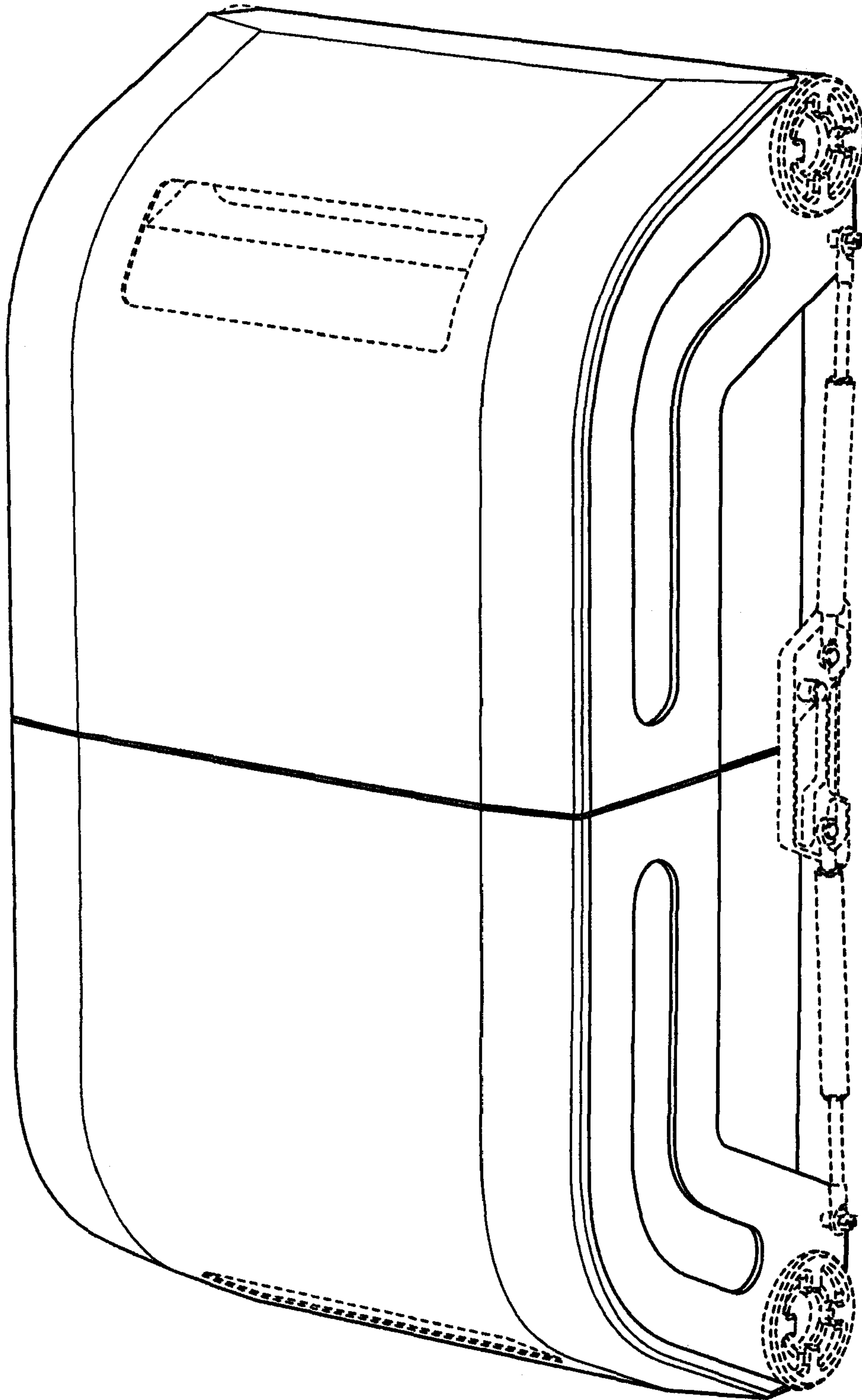


FIGURE 1

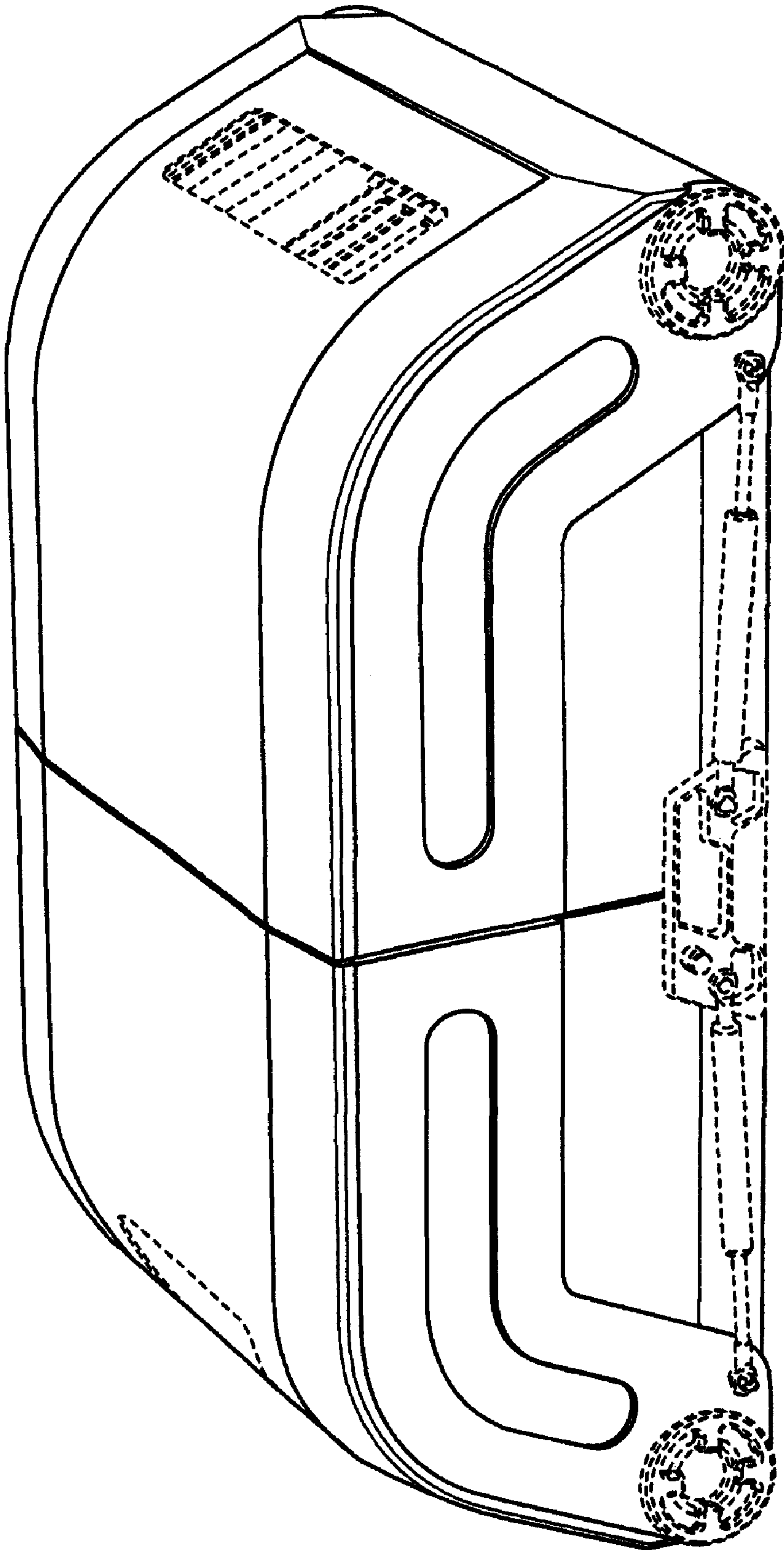


FIGURE 2

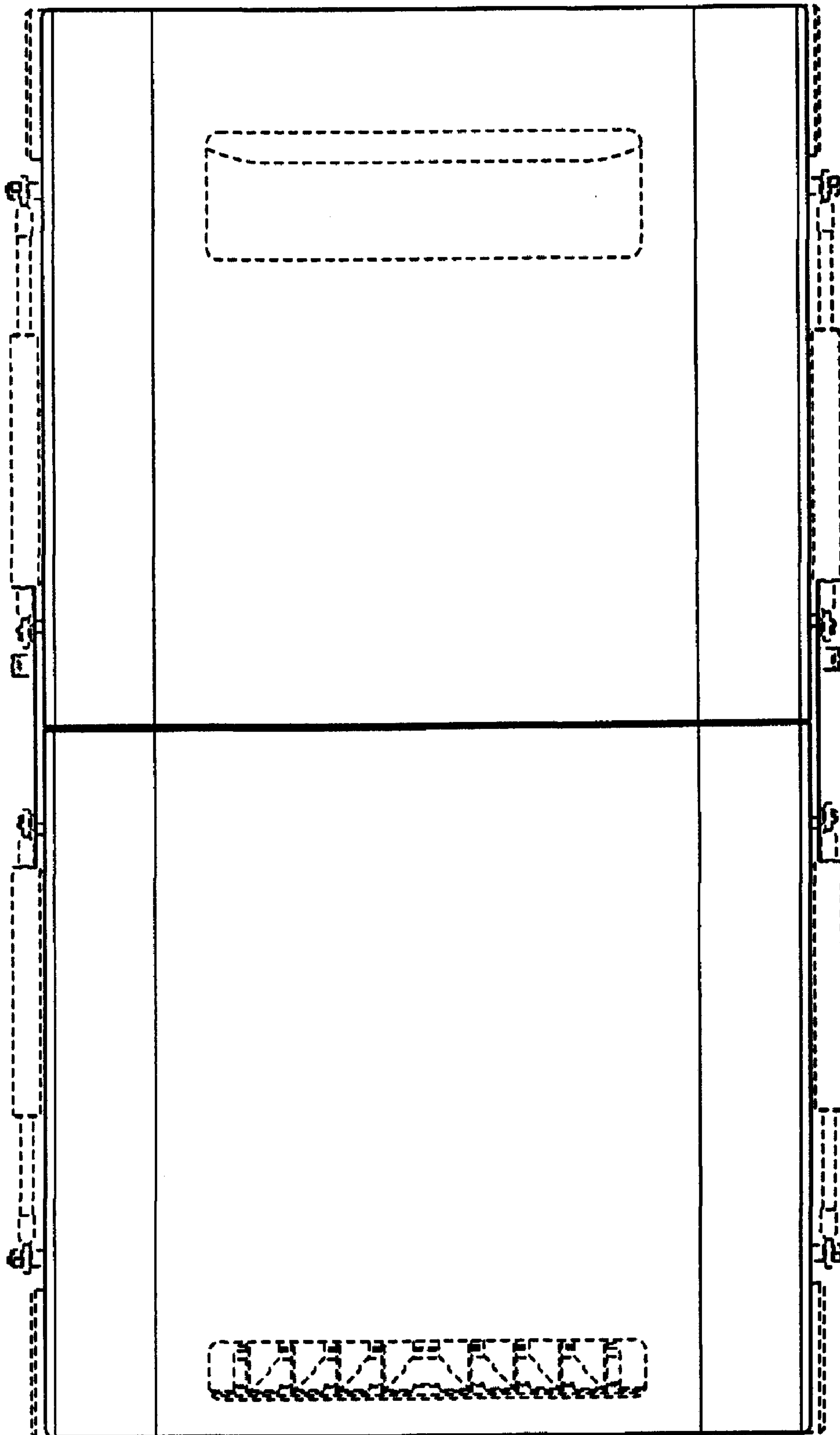


FIGURE 3

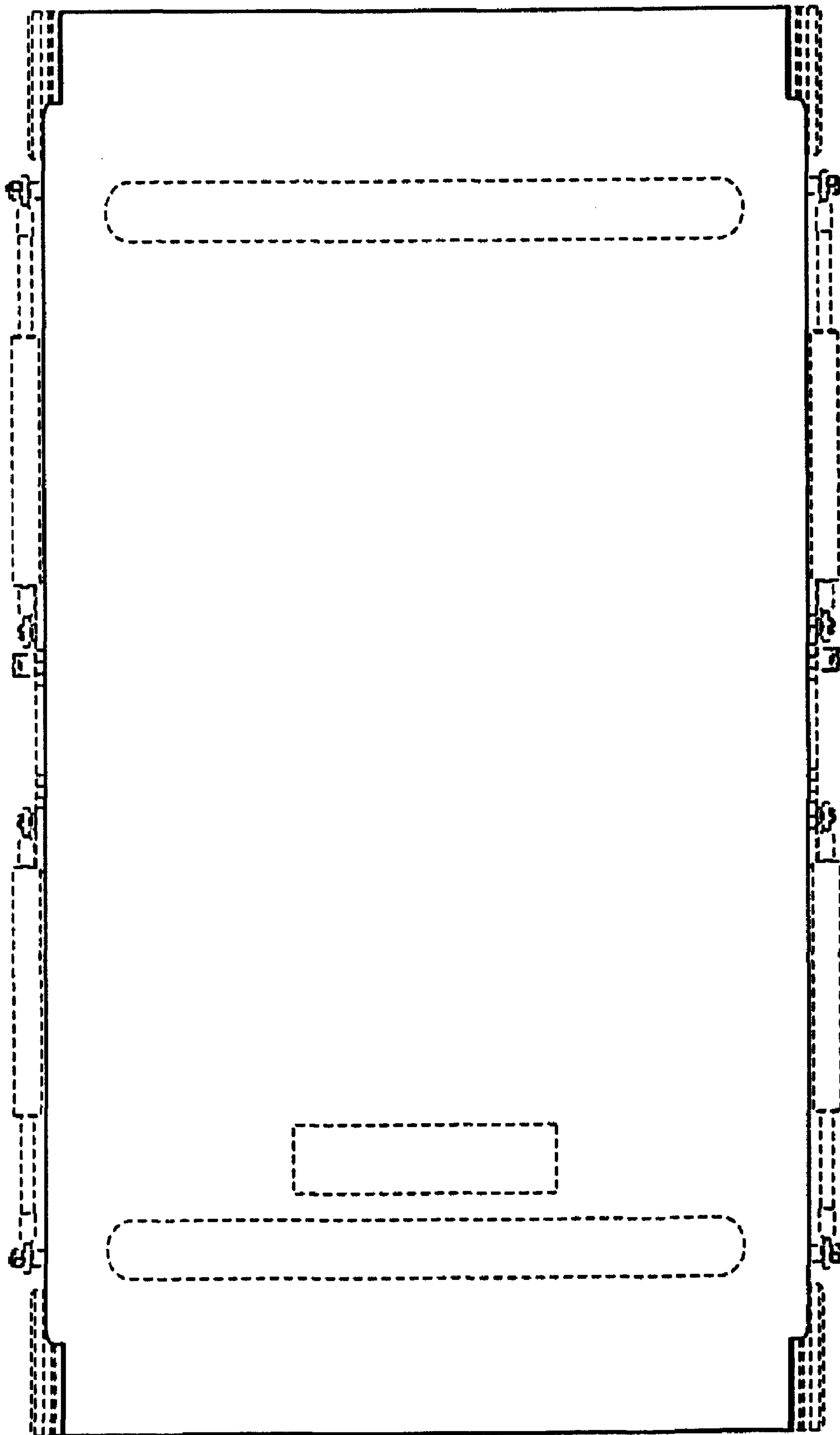


FIGURE 4

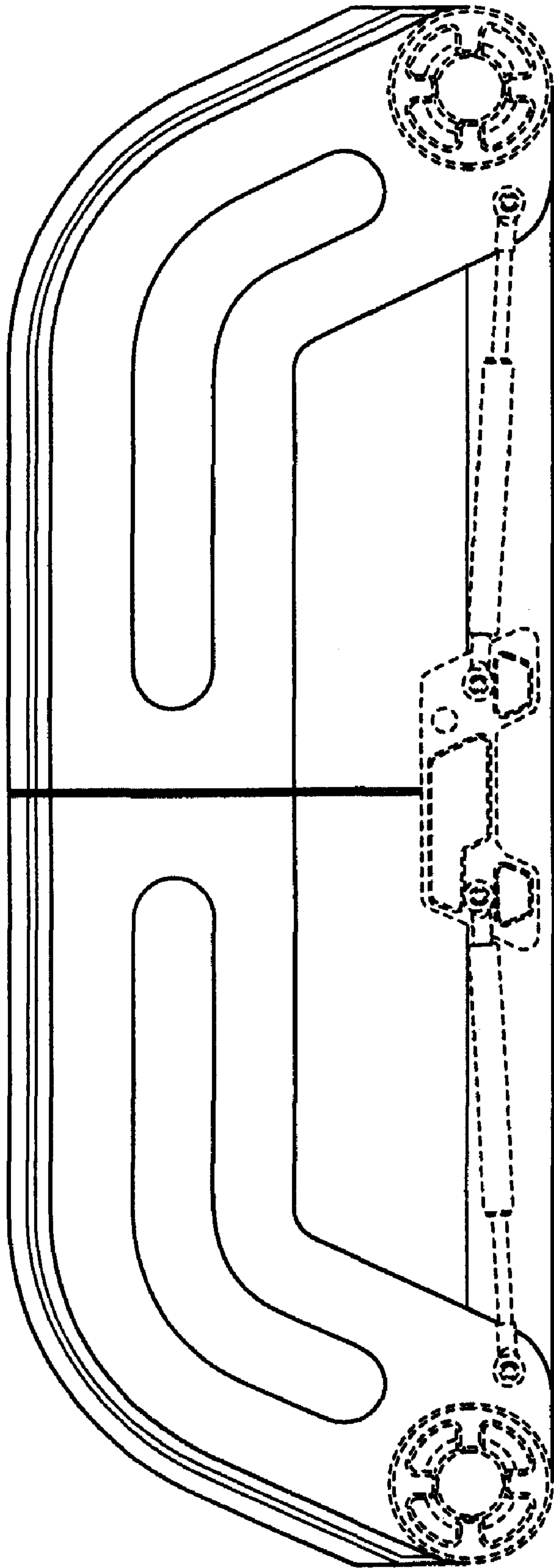


FIGURE 5

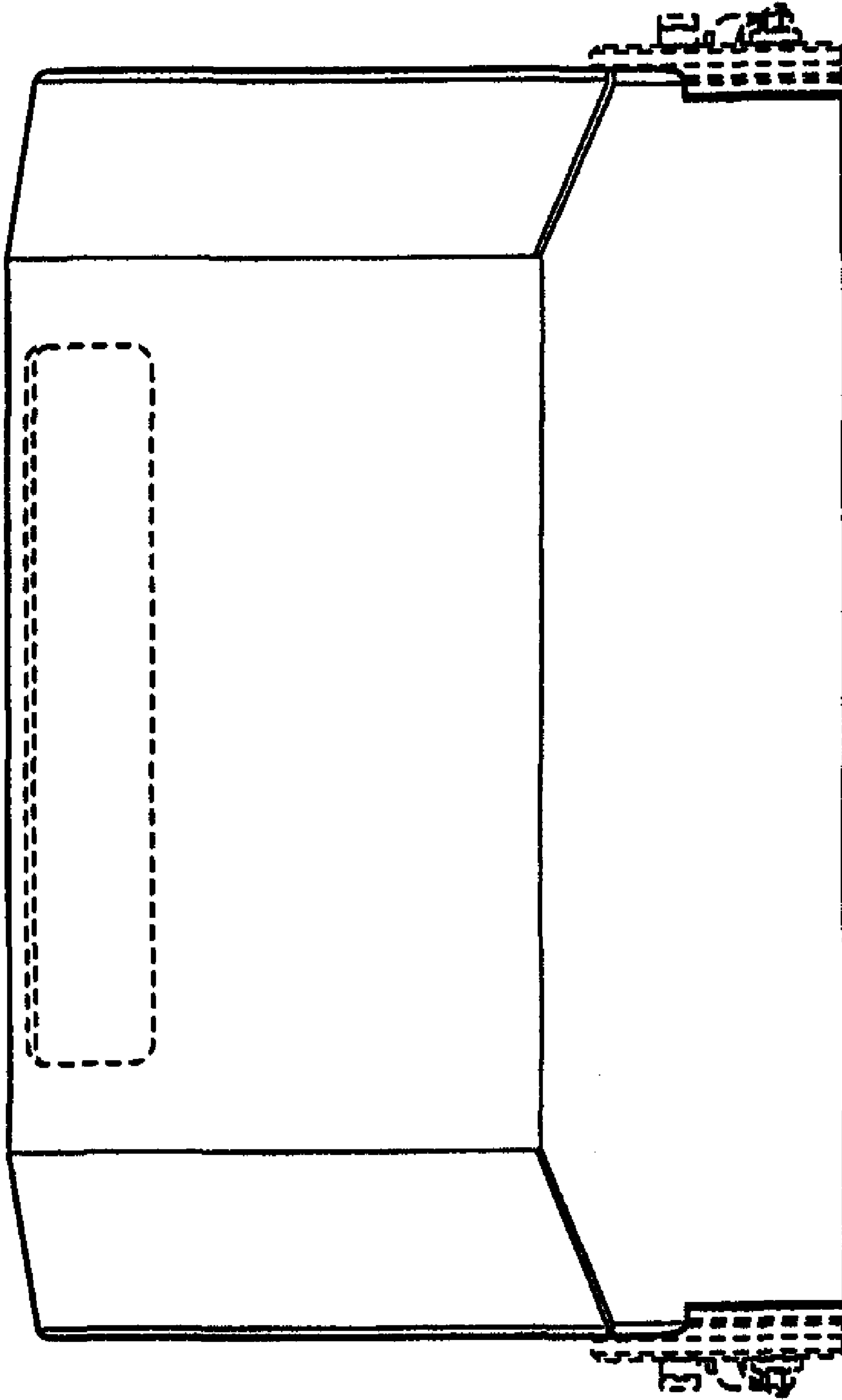


FIGURE 6

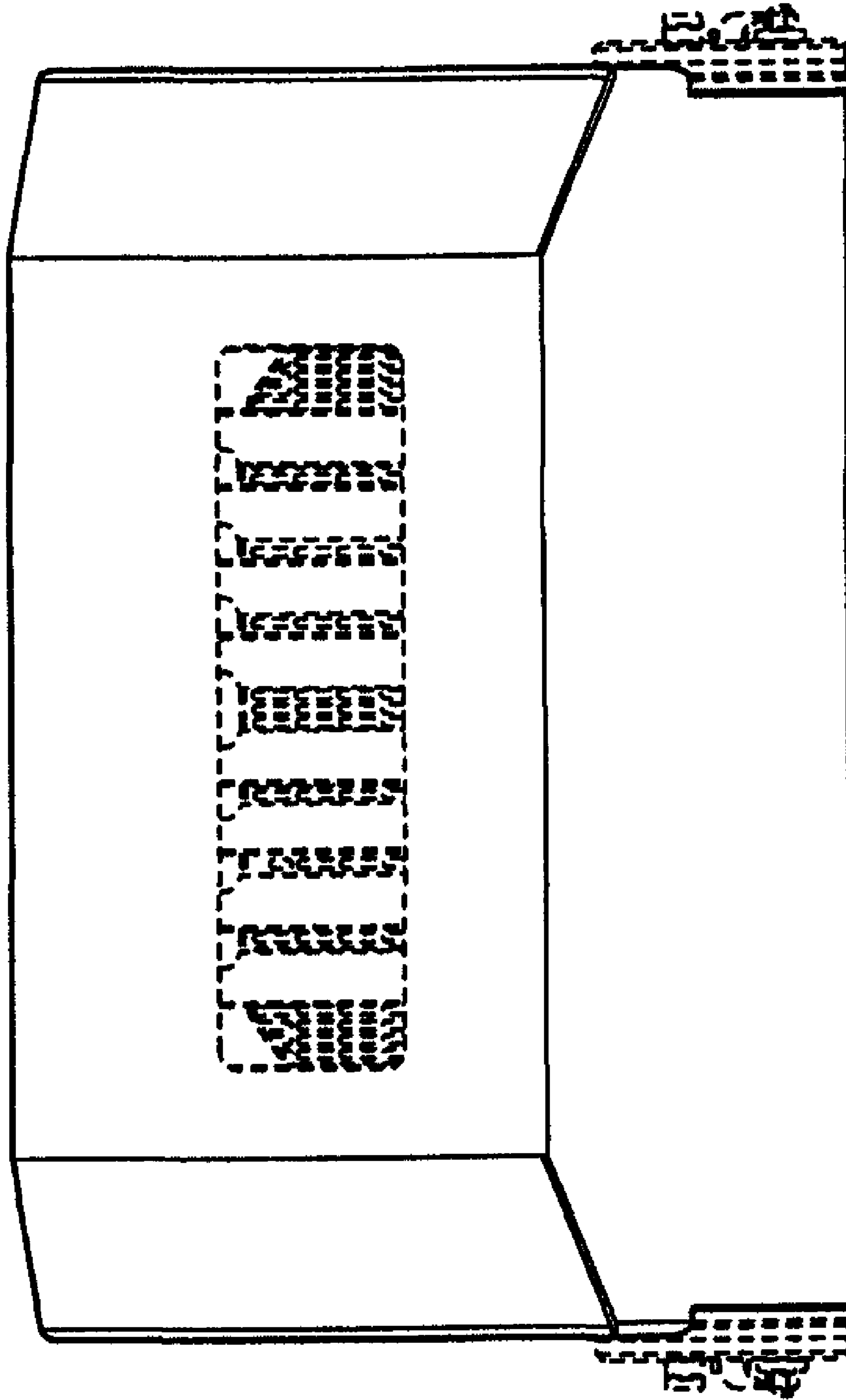


FIGURE 7

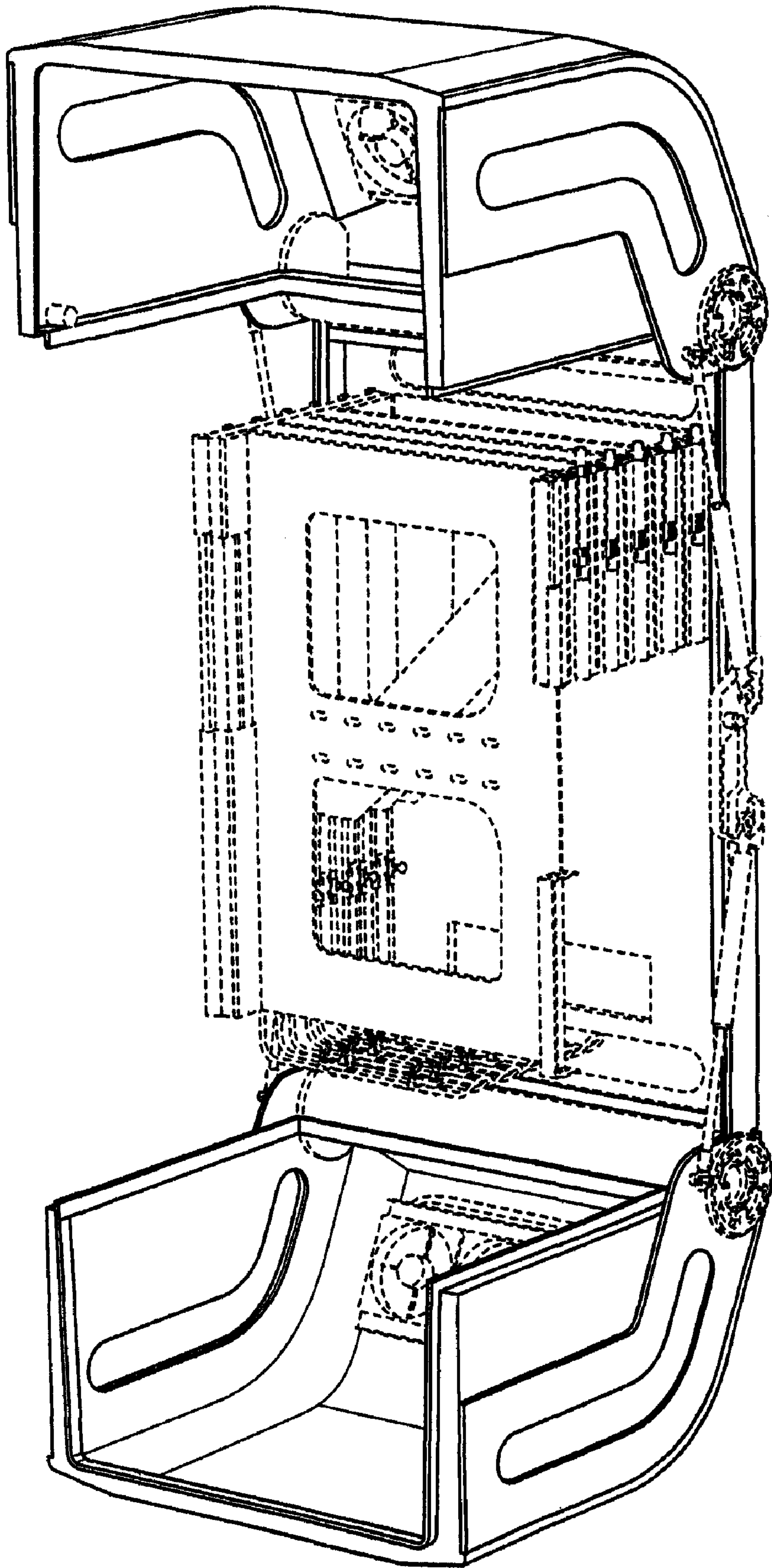


FIGURE 8