



US00D567775S

(12) **United States Design Patent**
Simon

(10) **Patent No.:** **US D567,775 S**

(45) **Date of Patent:** **** Apr. 29, 2008**

(54) **ELECTRONIC COMPONENT ASSEMBLY**

(75) Inventor: **Sunny Simon**, Elmhurst, IL (US)

(73) Assignee: **Universal Solutions of America**,
Elmhurst, IL (US)

(**) Term: **14 Years**

(21) Appl. No.: **29/237,623**

(22) Filed: **Sep. 2, 2005**

(51) **LOC (8) Cl.** **13-99**

(52) **U.S. Cl.** **D13/184**

(58) **Field of Classification Search** D13/146,
D13/147, 184; 248/27.3, 500, 220.2; 174/52.1,
174/138 G; 361/807; D8/354, 349
See application file for complete search history.

(56) **References Cited**

U.S. PATENT DOCUMENTS

D277,750 S *	2/1985	Ito et al.	D13/147
4,606,120 A *	8/1986	McAndrew	29/837
4,962,442 A *	10/1990	Clemens	361/770
D314,181 S *	1/1991	Yagi et al.	D13/147
D383,443 S *	9/1997	Nelson	D13/184
D384,334 S	9/1997	Nelson	

D384,335 S *	9/1997	Nelson	D13/184
5,792,994 A *	8/1998	Akahane	174/138 G
6,502,800 B1 *	1/2003	Ursini et al.	248/500
7,134,635 B2 *	11/2006	Burriel et al.	248/500

* cited by examiner

Primary Examiner—Robert M. Spear

Assistant Examiner—Ania K Dworzecka

(74) *Attorney, Agent, or Firm*—Wildman, Harrold, Allen &
Dixon LLP

(57) **CLAIM**

The ornamental design for an electronic component assembly, as shown and described.

DESCRIPTION

FIG. 1 is an upper perspective view of an electronic component assembly showing my new design;

FIG. 2 is a front elevational view thereof;

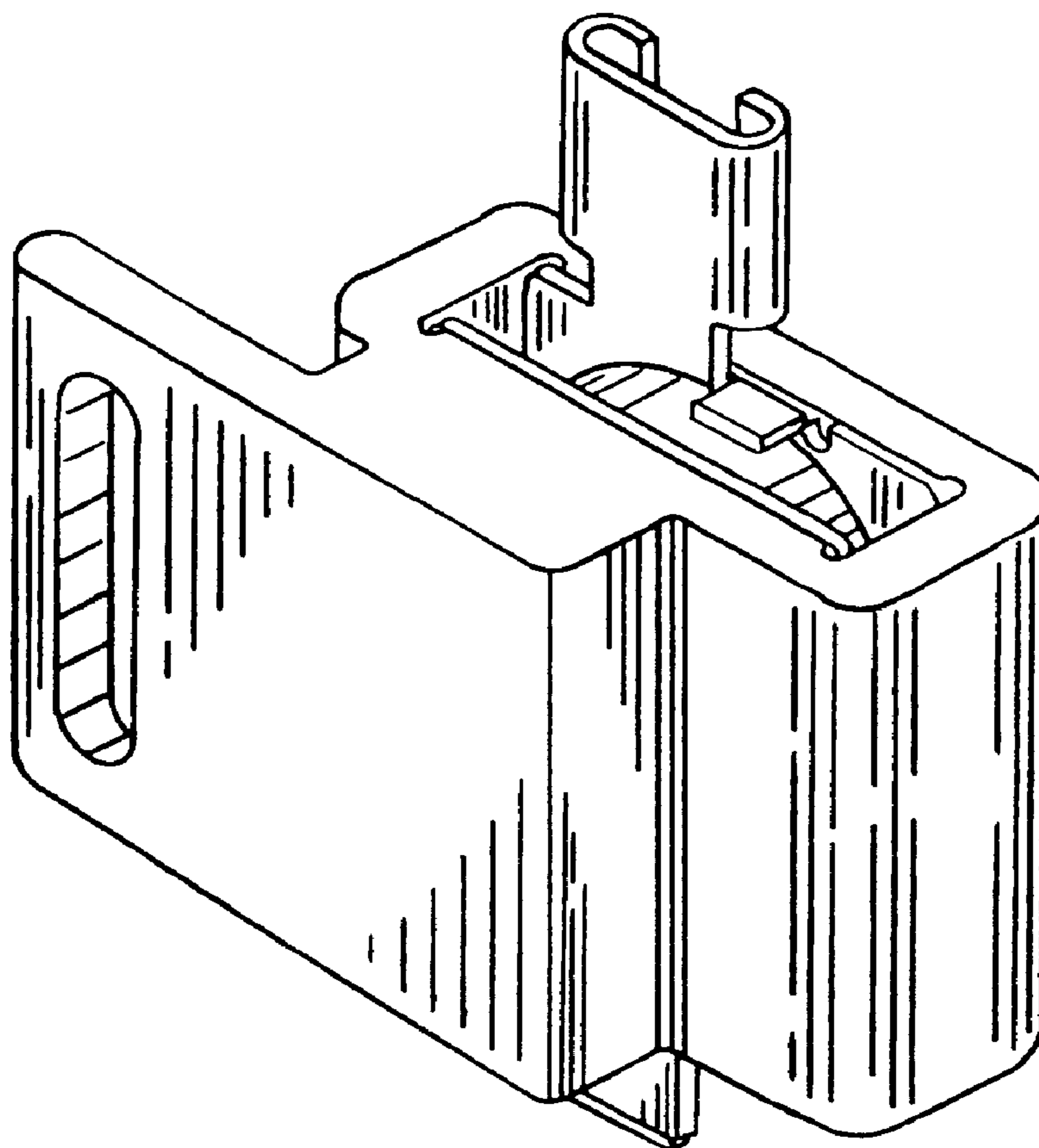
FIG. 3 is a top plan view thereof;

FIG. 4 is a bottom plan view thereof;

FIG. 5 is a right side elevational view thereof; and,

FIG. 6 is a left side elevational view thereof.

1 Claim, 2 Drawing Sheets



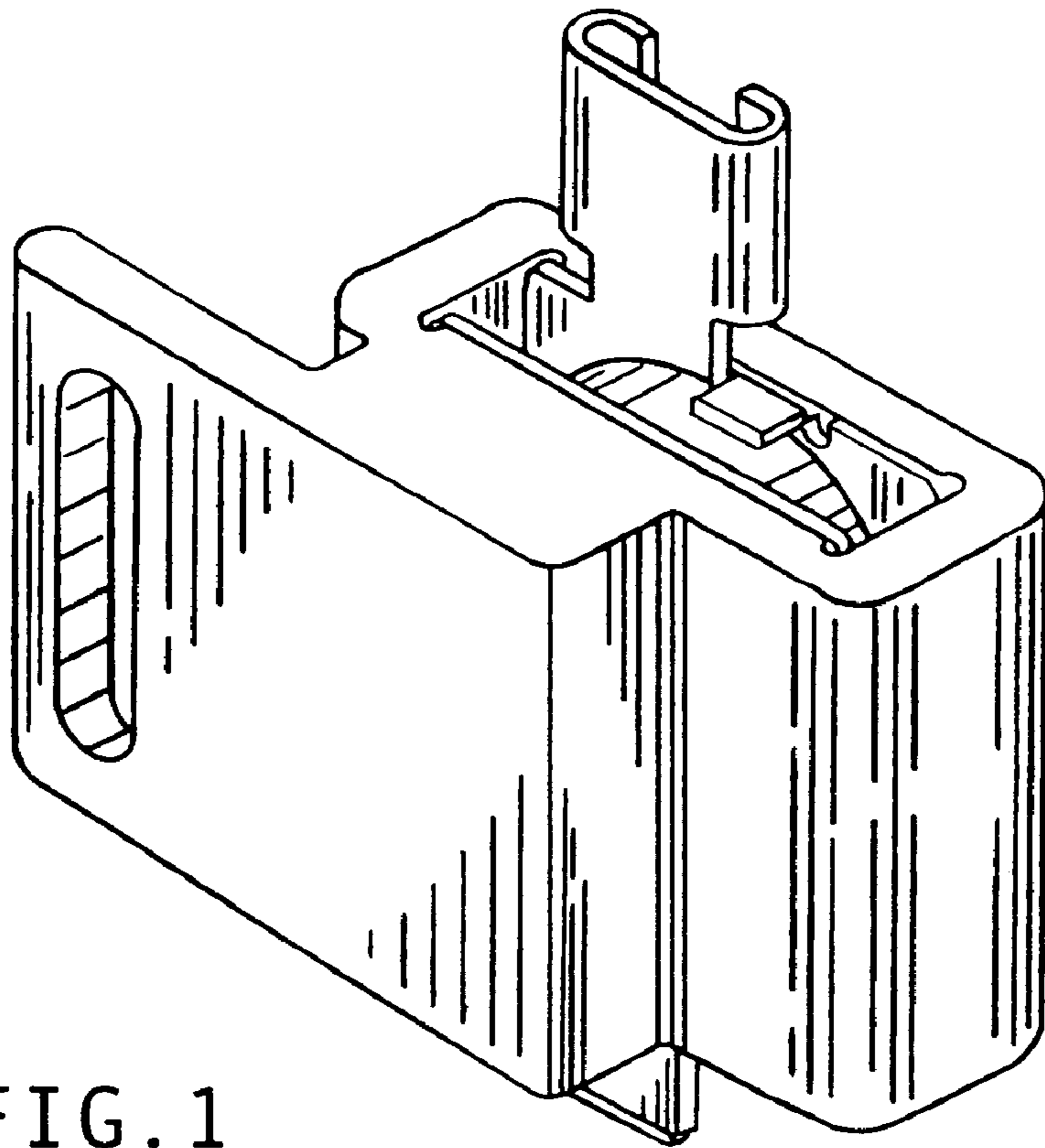


FIG. 1

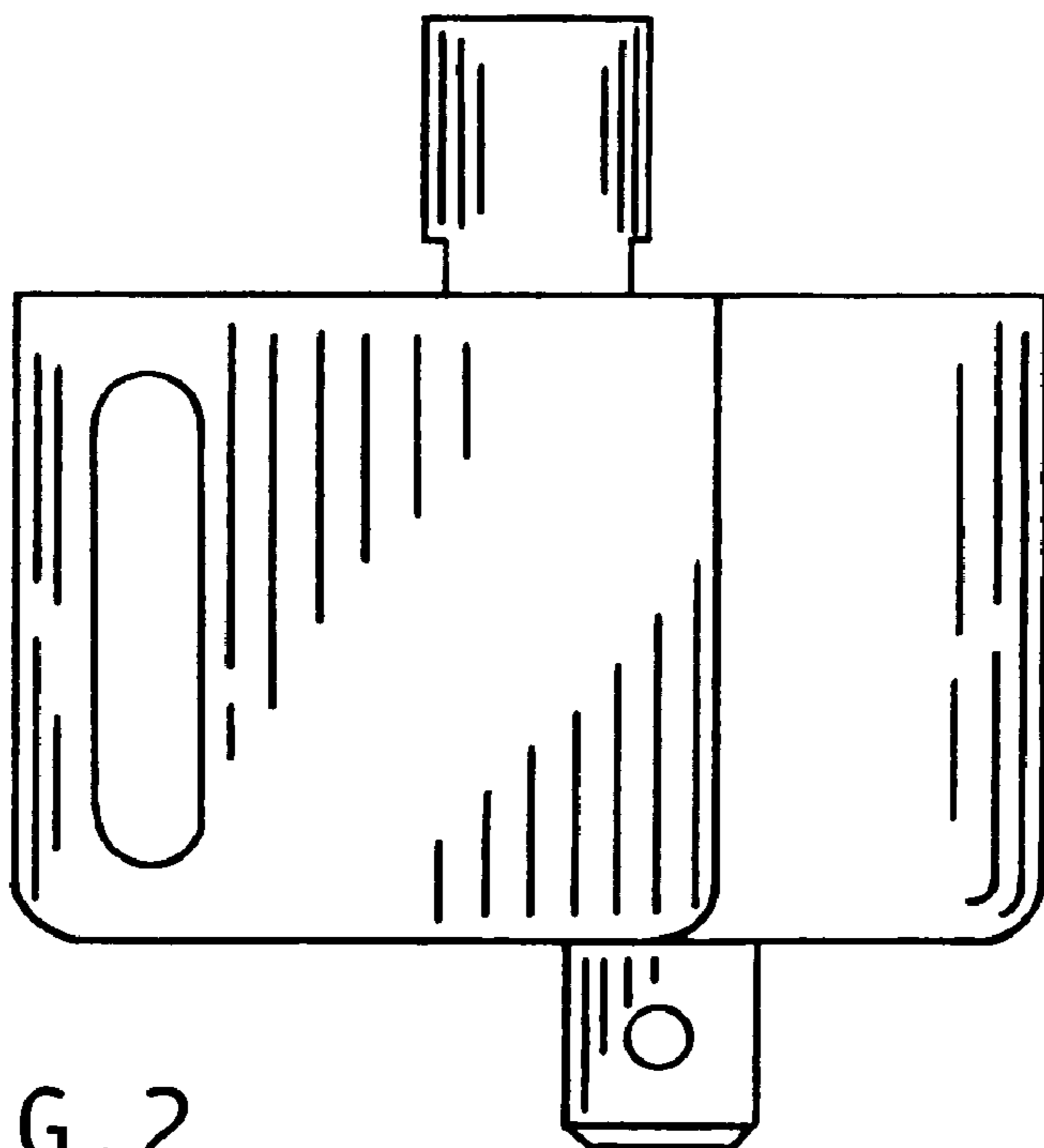


FIG. 2

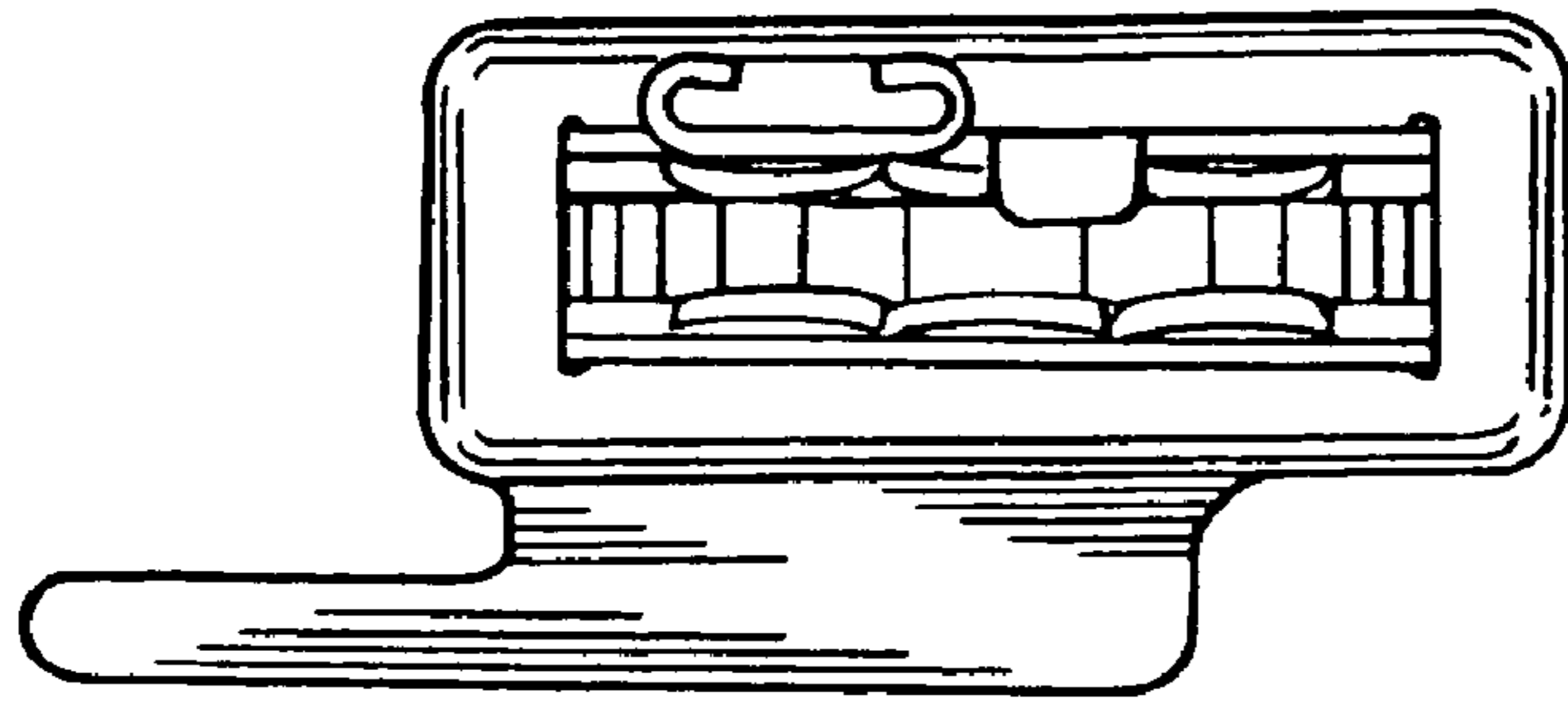


FIG. 3

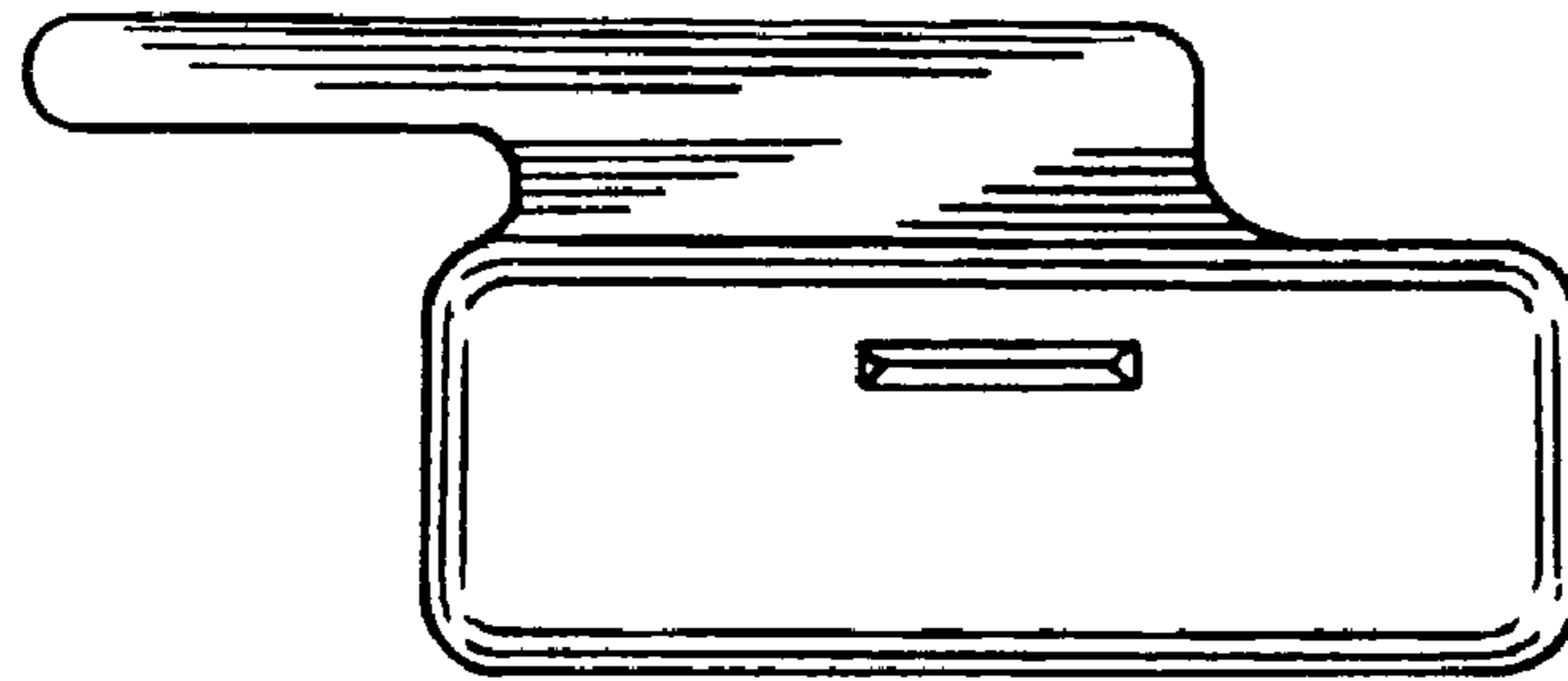


FIG. 4



FIG. 5



FIG. 6