



US00D567771S

(12) **United States Design Patent**
Wu et al.

(10) **Patent No.:** **US D567,771 S**
(45) **Date of Patent:** **** Apr. 29, 2008**

(54) **HEAT DISSIPATION DEVICE**

(75) Inventors: **Wei-Le Wu**, Shenzhen (CN);
Chun-Chi Chen, Taipei Hsien (TW)

(73) Assignee: **Foxconn Technology Co., Ltd.**,
Tu-Cheng, Taipei Hsien (TW)

(**) Term: **14 Years**

(21) Appl. No.: **29/275,421**

(22) Filed: **Dec. 23, 2006**

(51) **LOC (8) Cl.** **13-03**

(52) **U.S. Cl.** **D13/179**

(58) **Field of Classification Search** D13/179;
165/80.3, 104.33, 151, 122, 185; 257/706,
257/707, 718-722; 361/687, 695, 697, 700,
361/702, 704, 709, 710, 711, 719

See application file for complete search history.

(56) **References Cited**

U.S. PATENT DOCUMENTS

D453,744 S *	2/2002	Lee et al.	D13/179
D496,338 S *	9/2004	Chen et al.	D13/179
6,967,845 B2 *	11/2005	Chiang et al.	361/709
7,019,979 B2 *	3/2006	Wang et al.	361/719
D541,758 S *	5/2007	Lee et al.	D13/179
2005/0073811 A1 *	4/2005	Wang et al.	361/688

2005/0094375 A1 *	5/2005	Chiang et al.	361/702
2005/0139347 A1 *	6/2005	Chen et al.	165/104.33
2006/0067050 A1 *	3/2006	Li et al.	361/697

* cited by examiner

Primary Examiner—Selina Sikder

(74) *Attorney, Agent, or Firm*—Wei Te Chung

(57) **CLAIM**

The ornamental design for a heat dissipation device, as shown and described.

DESCRIPTION

FIG. 1 is a perspective view of a heat dissipation device of our new design;

FIG. 2 is a front elevational view thereof;

FIG. 3 is a rear elevational view thereof;

FIG. 4 is a left side elevational view thereof;

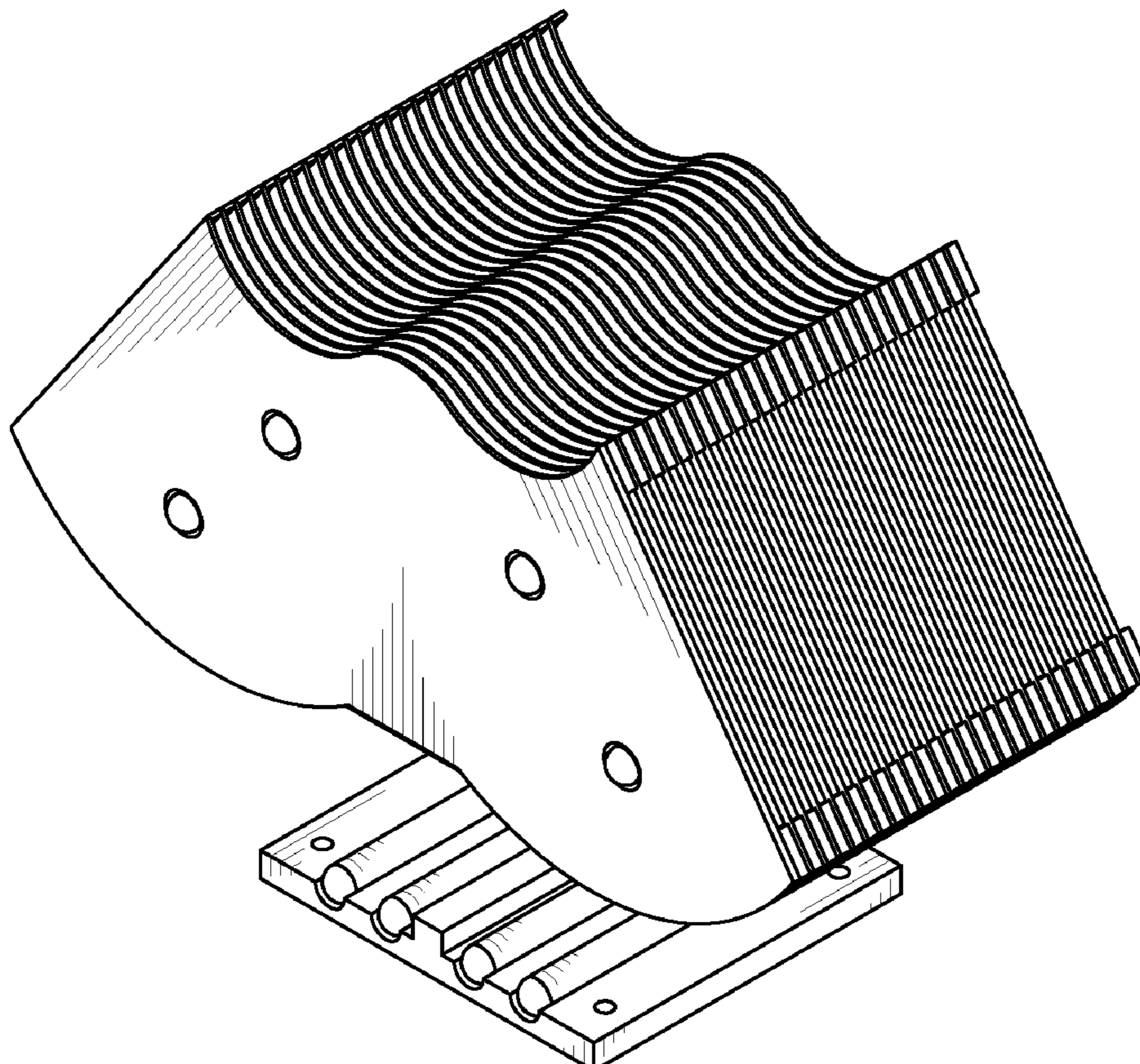
FIG. 5 is a right side elevational view thereof;

FIG. 6 is a top plan view thereof;

FIG. 7 is a bottom plan view thereof; and,

FIG. 8 shows the heat dissipation device of FIG. 1 having fans mounted thereon, wherein the fans are shown for illustrative purpose only and form no part of the claimed design.

1 Claim, 8 Drawing Sheets



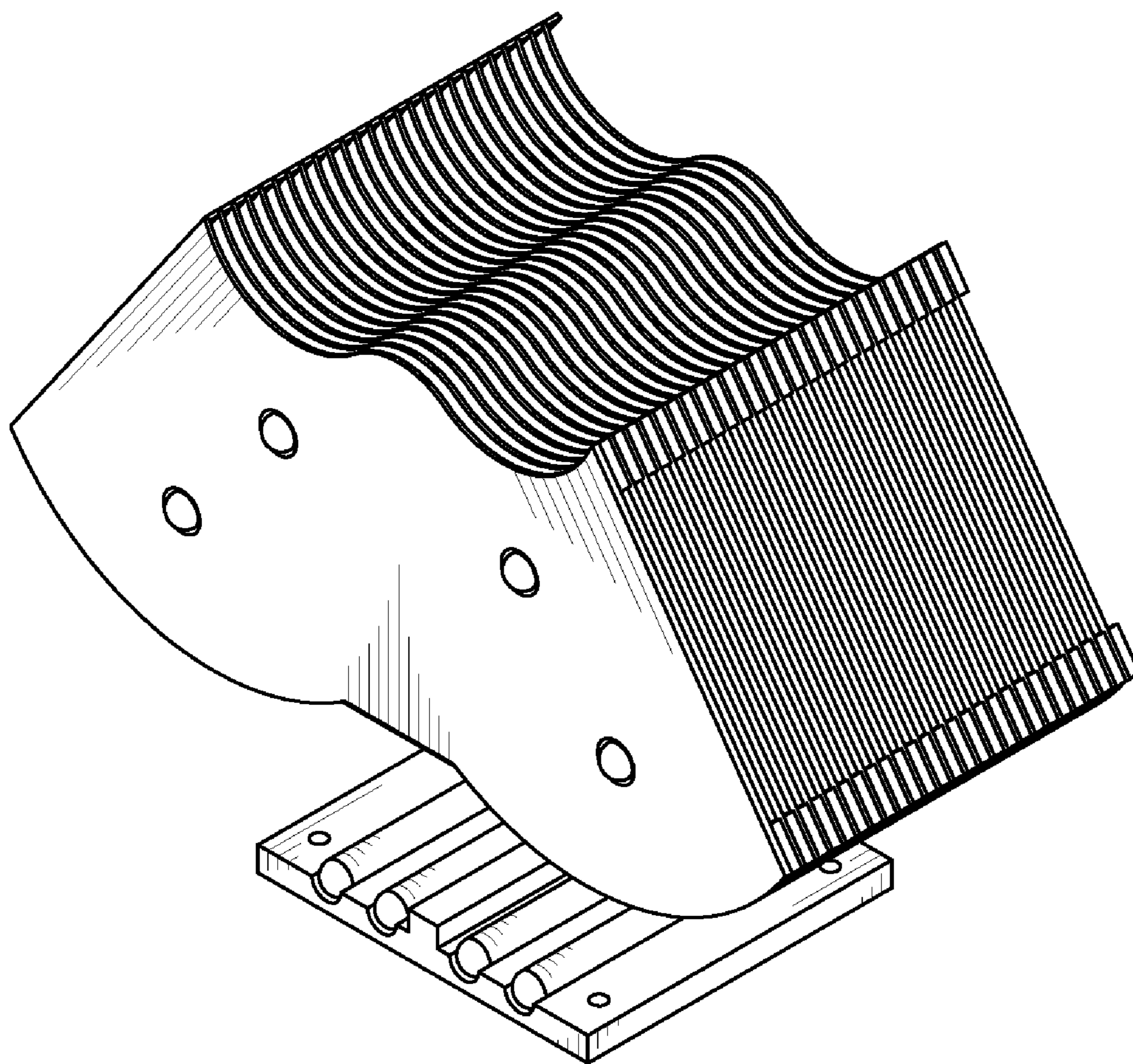


FIG. 1

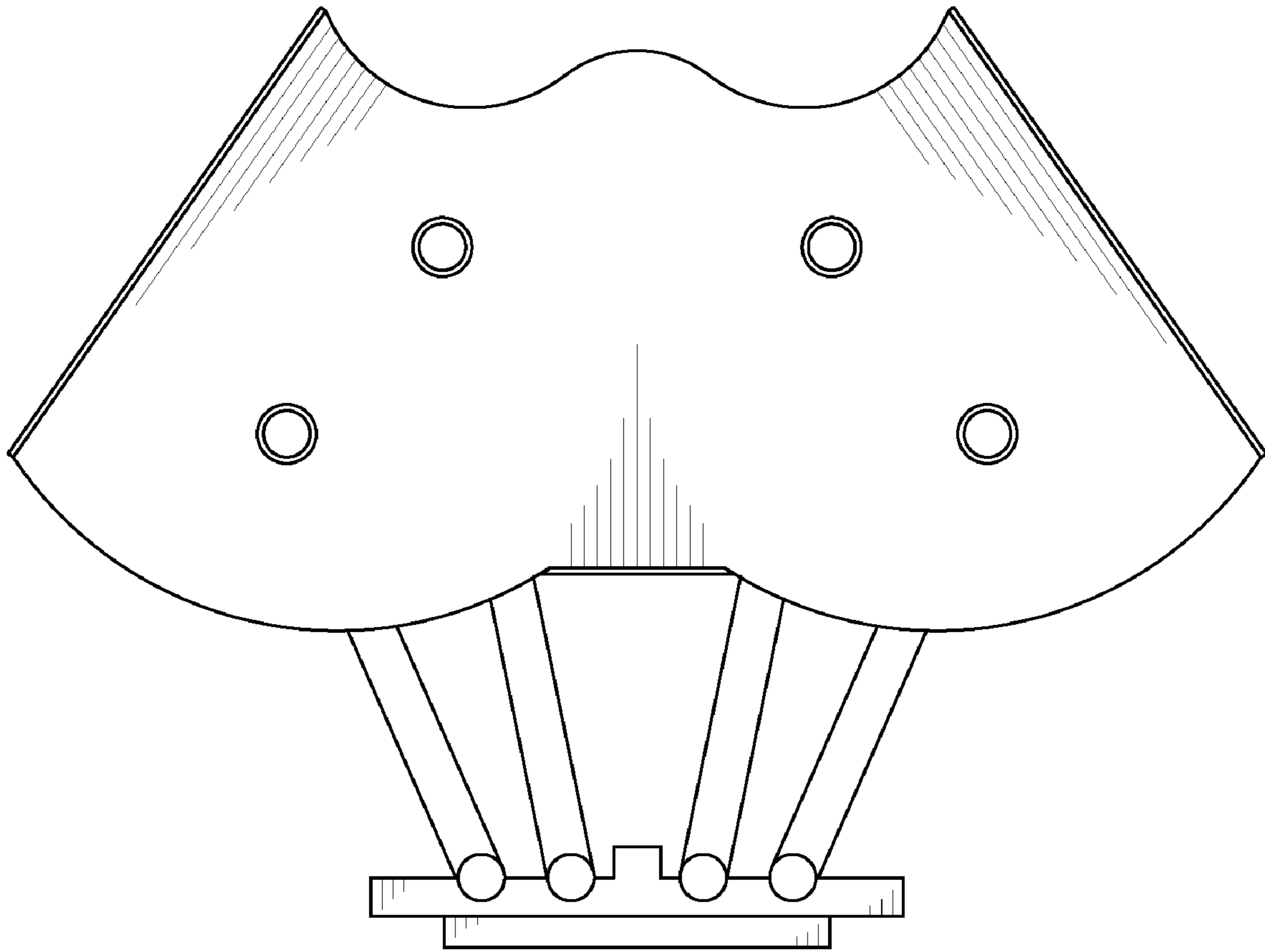


FIG. 2

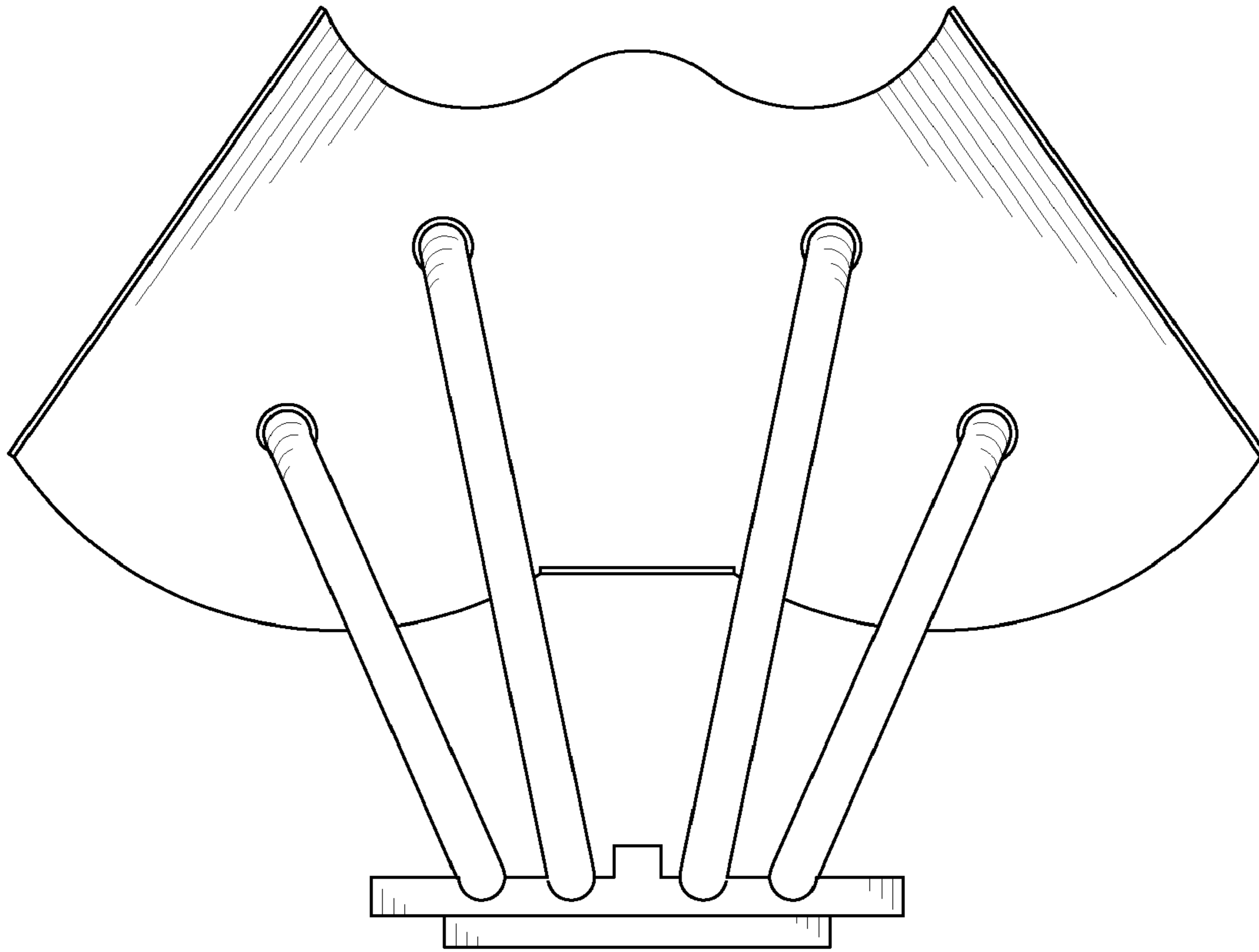


FIG. 3

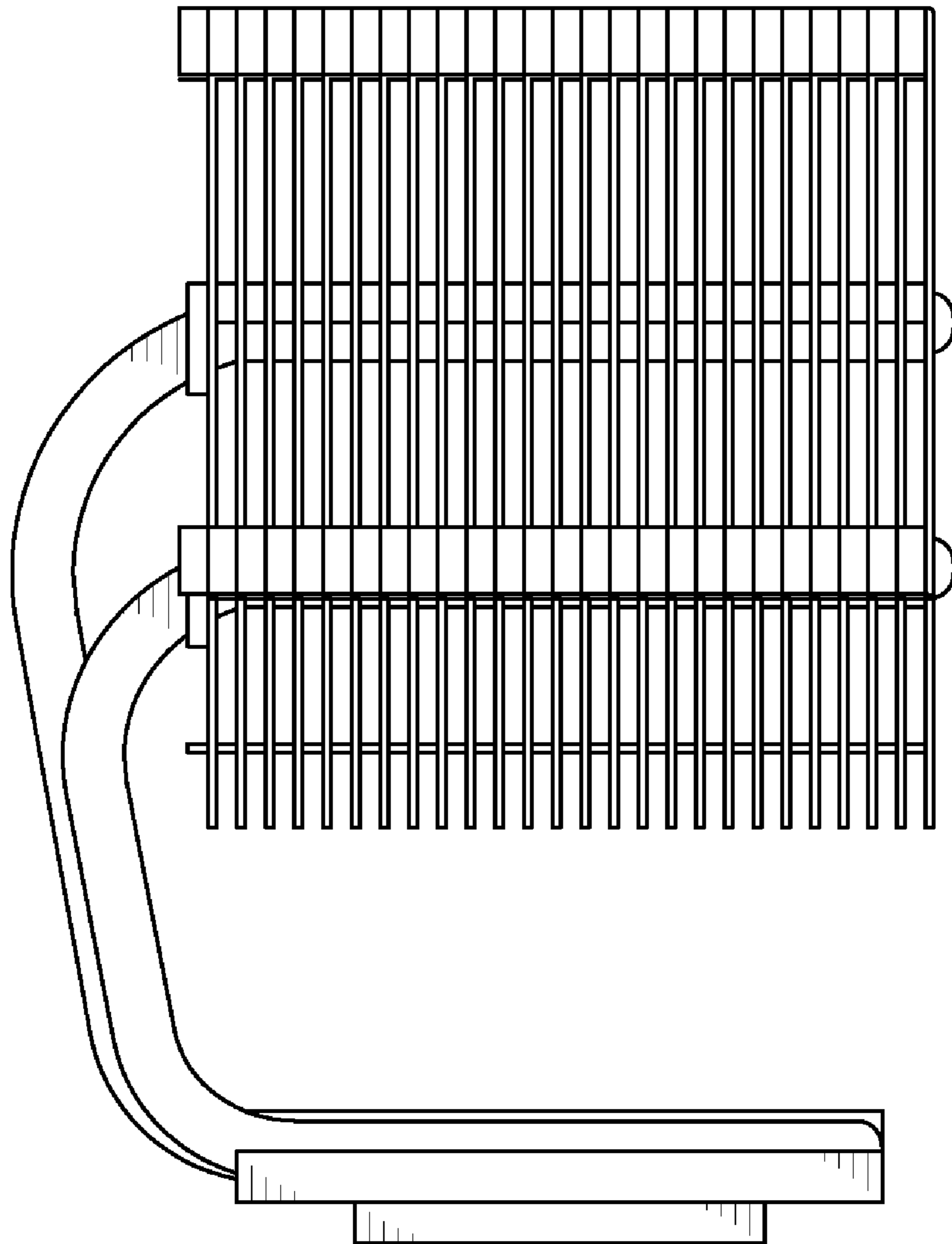


FIG. 4

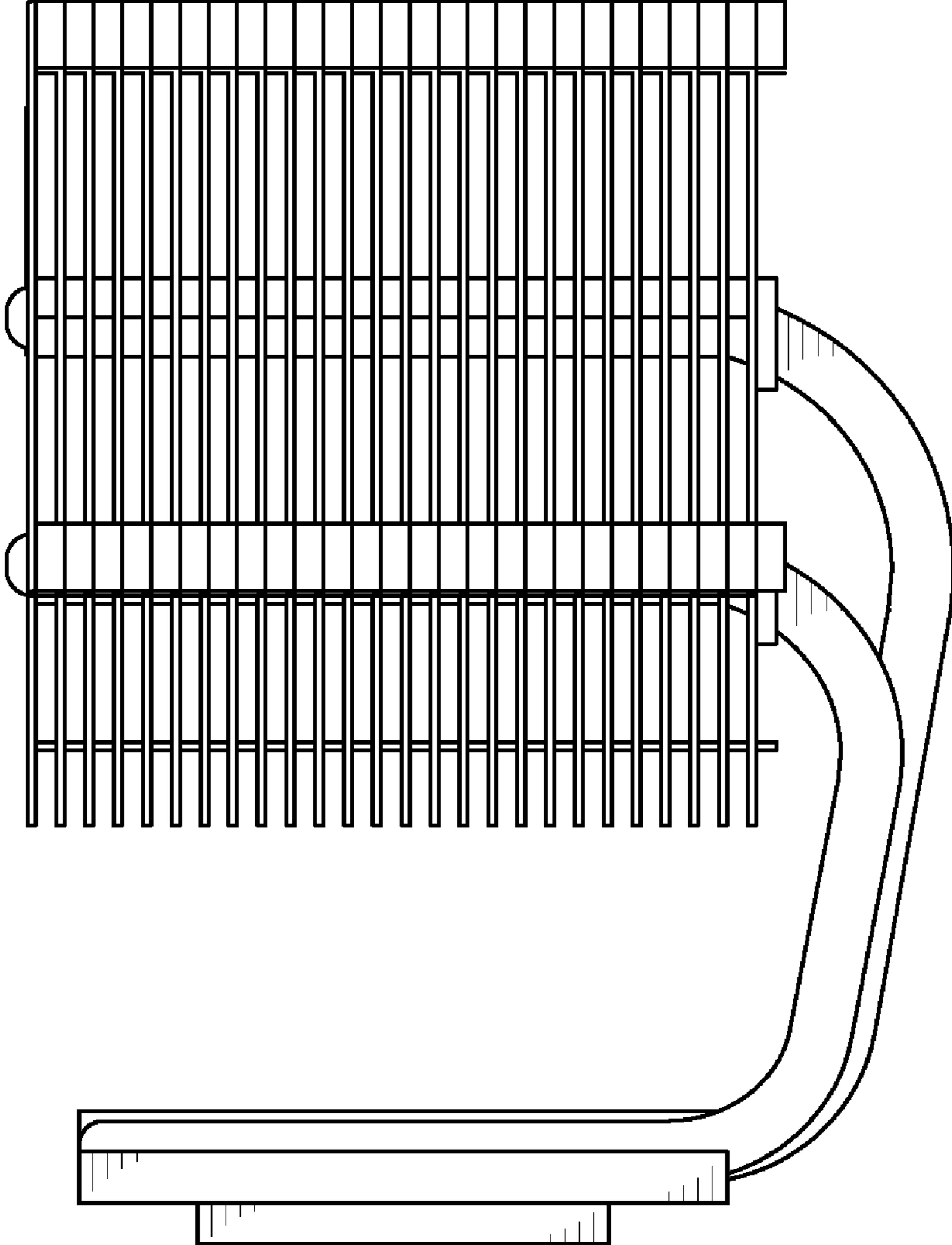


FIG. 5

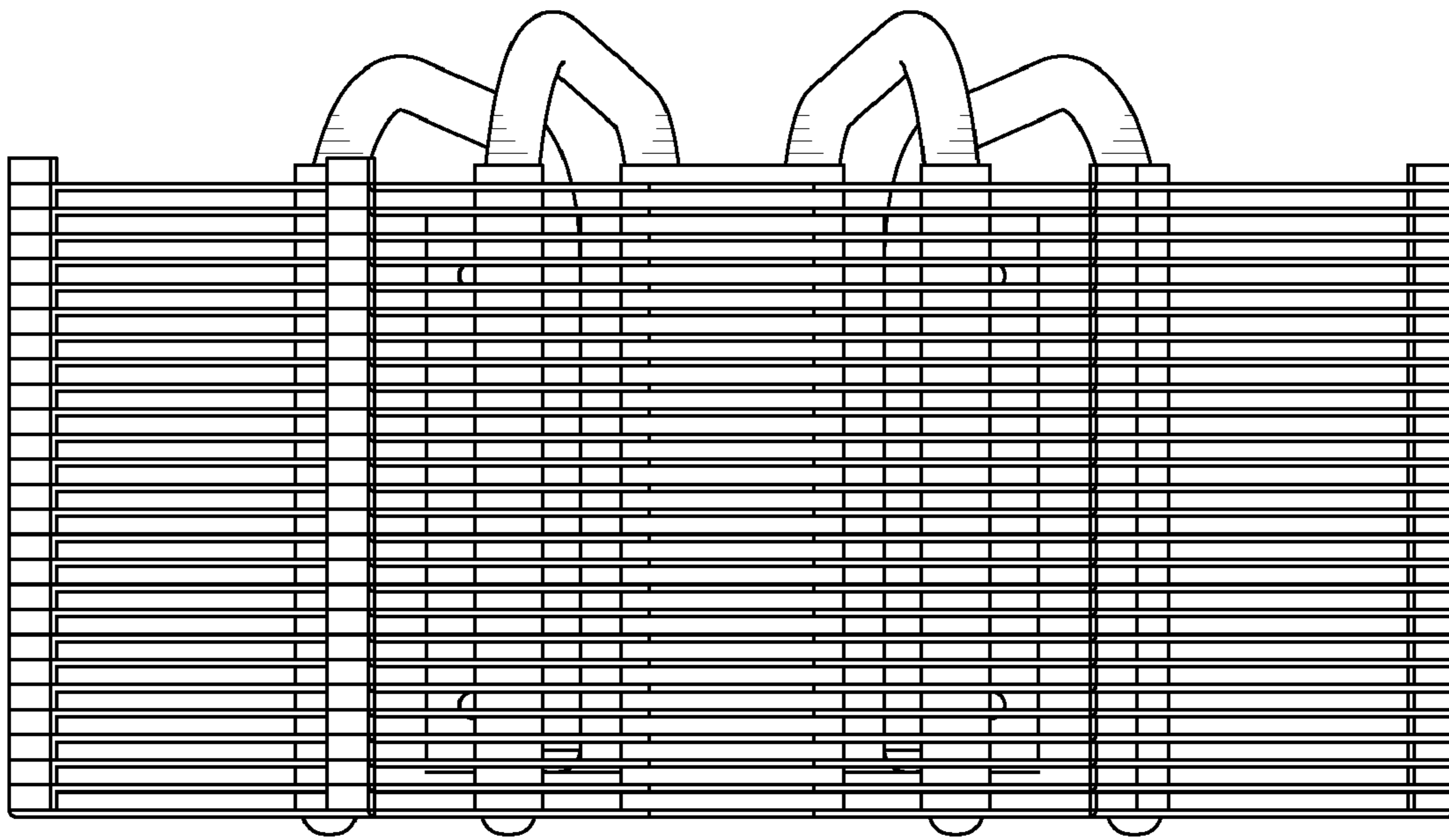


FIG. 6

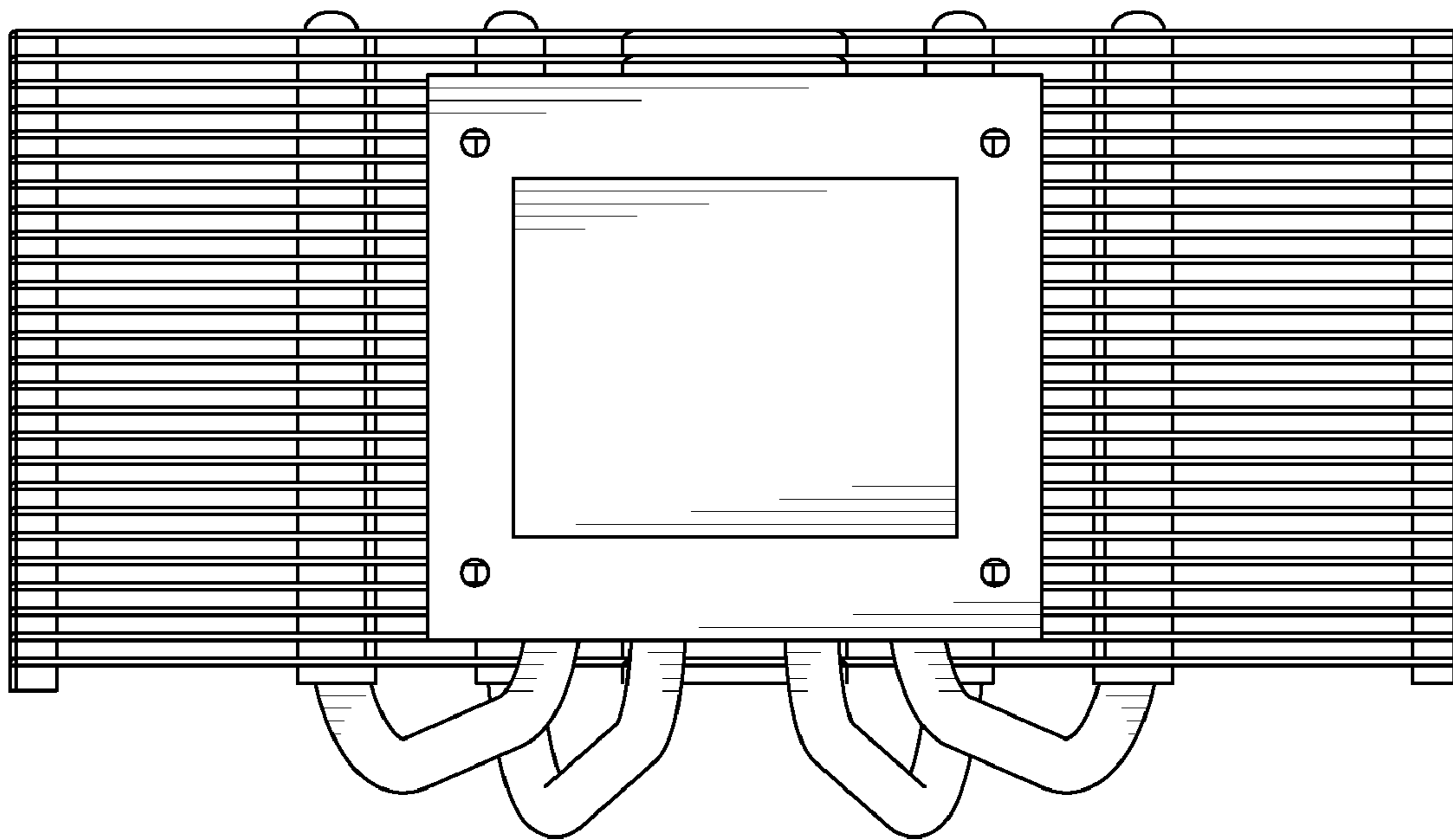


FIG. 7

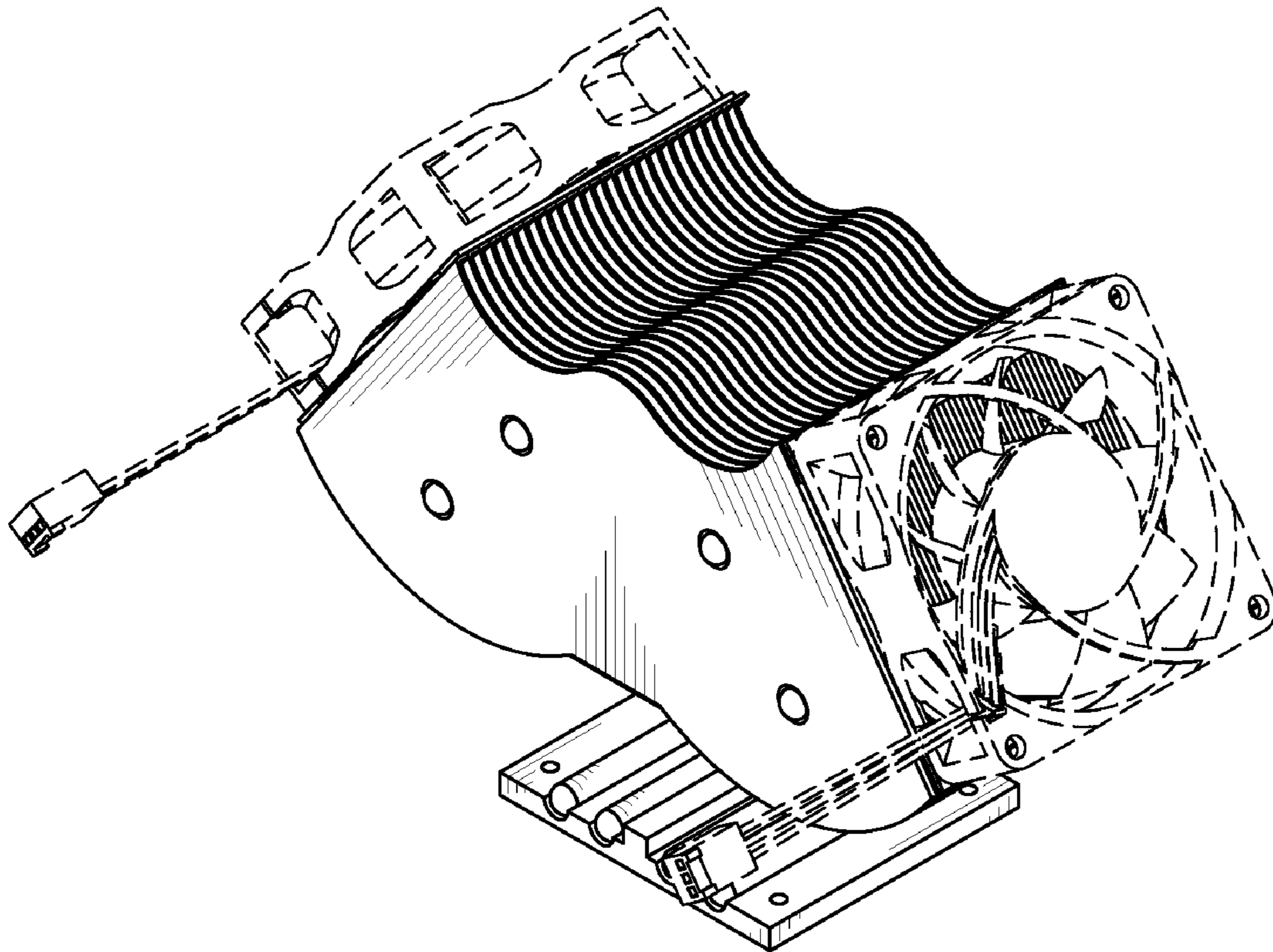


FIG. 8