

US00D567770S

(12) **United States Design Patent**
Cleaver

(10) **Patent No.:** **US D567,770 S**

(45) **Date of Patent:** **** Apr. 29, 2008**

(54) **DOOR BELL SHIELD**

(76) Inventor: **Kristie Cleaver**, 4602 Anderson St.,
Shawnee, KS (US) 66226

(**) Term: **14 Years**

(21) Appl. No.: **29/281,562**

(22) Filed: **Jun. 26, 2007**

(51) **LOC (8) Cl.** **13-03**

(52) **U.S. Cl.** **D13/177**

(58) **Field of Classification Search** D13/156,
D13/158, 177, 184; D10/106-108; 200/43.18,
200/43.19; 174/67, 66, 50, 50.51, 50.54,
174/68.1; 220/3.8, 241, 242

See application file for complete search history.

(56) **References Cited**

U.S. PATENT DOCUMENTS

3,645,025	A *	2/1972	Giesecke	40/734
D287,704	S *	1/1987	Wheeler	D10/116
5,077,452	A	12/1991	Mathers et al.		
D342,235	S *	12/1993	Shotey	D13/156
5,272,281	A *	12/1993	Bouley	174/67
5,389,740	A *	2/1995	Austin	174/67
5,401,904	A *	3/1995	Greenier, Jr.	174/67
5,499,734	A *	3/1996	Tessmer	220/4.21
D395,283	S *	6/1998	Monaco et al.	D13/156
D432,503	S *	10/2000	Taylor	D13/177

6,894,223	B1 *	5/2005	Shotey et al.	174/67
7,148,421	B2 *	12/2006	Nagashima et al.	174/67
2006/0220797	A1 *	10/2006	Valentino et al.	340/286.06

* cited by examiner

Primary Examiner—Daniel Bui
Assistant Examiner—Thomas J Johannes
(74) *Attorney, Agent, or Firm*—Dale J. Ream

(57) **CLAIM**

The ornamental design for a door bell shield, as shown and described.

DESCRIPTION

FIG. 1 is a perspective view of a door bell shield, in usage condition, showing my new design.

FIG. 2 is a front view thereof;

FIG. 3 is a back view thereof;

FIG. 4 is a left side view thereof;

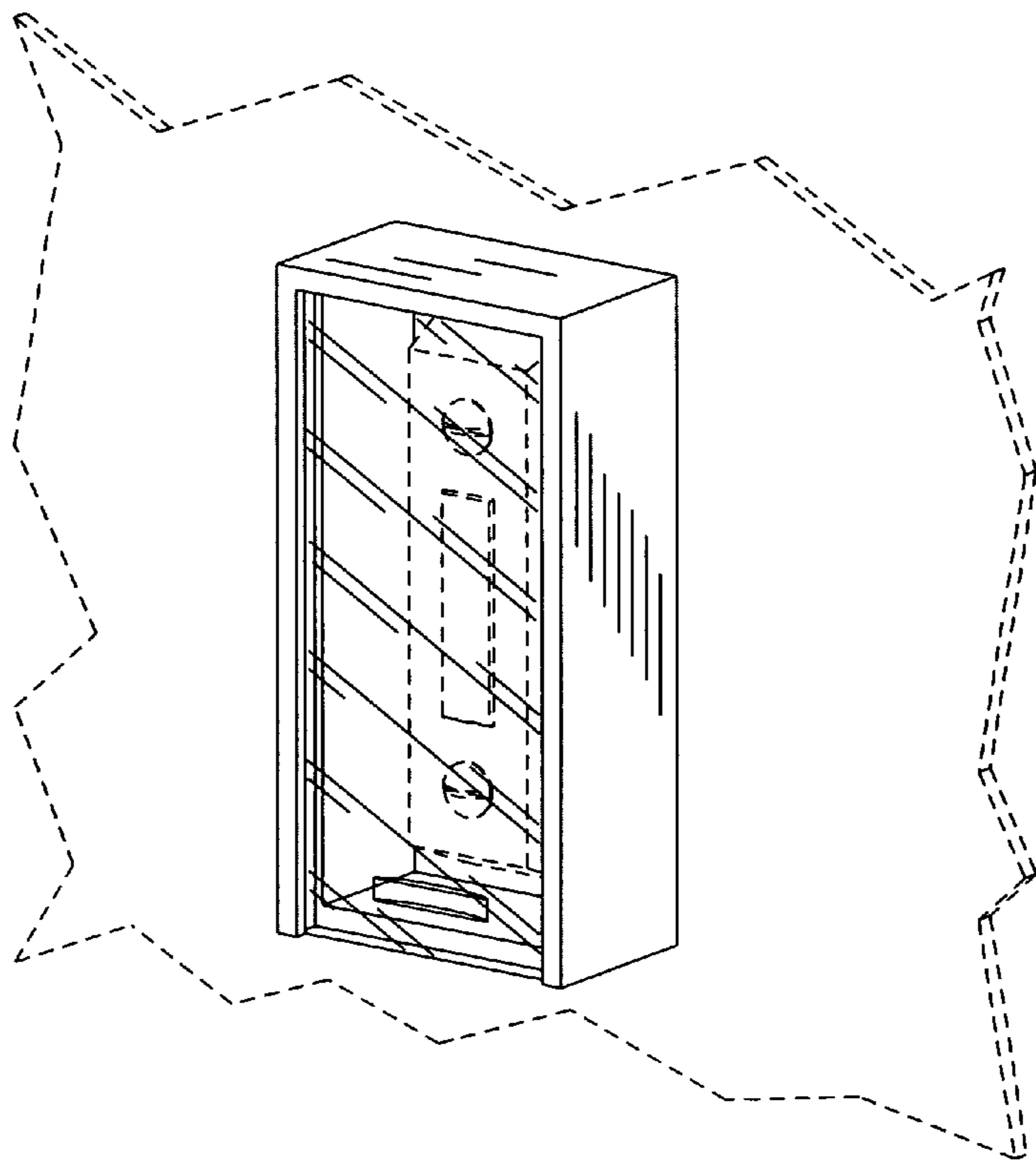
FIG. 5 is a right side view thereof

FIG. 6 is a top view thereof; and,

FIG. 7 is a bottom view thereof.

The broken line showing in the figure drawings is included for illustrative purposes only and forms no part of the claimed design.

1 Claim, 3 Drawing Sheets



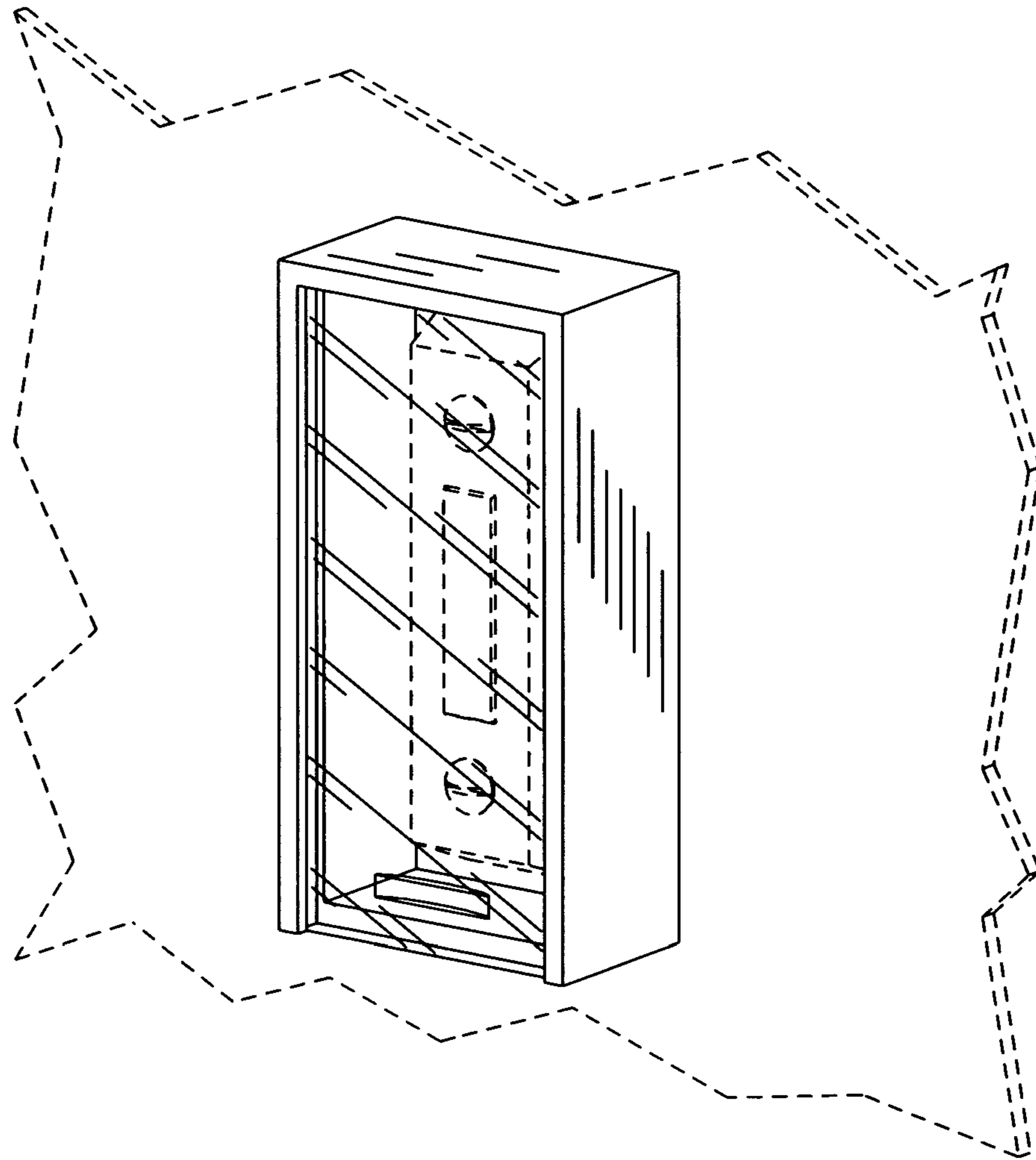


FIG. 1

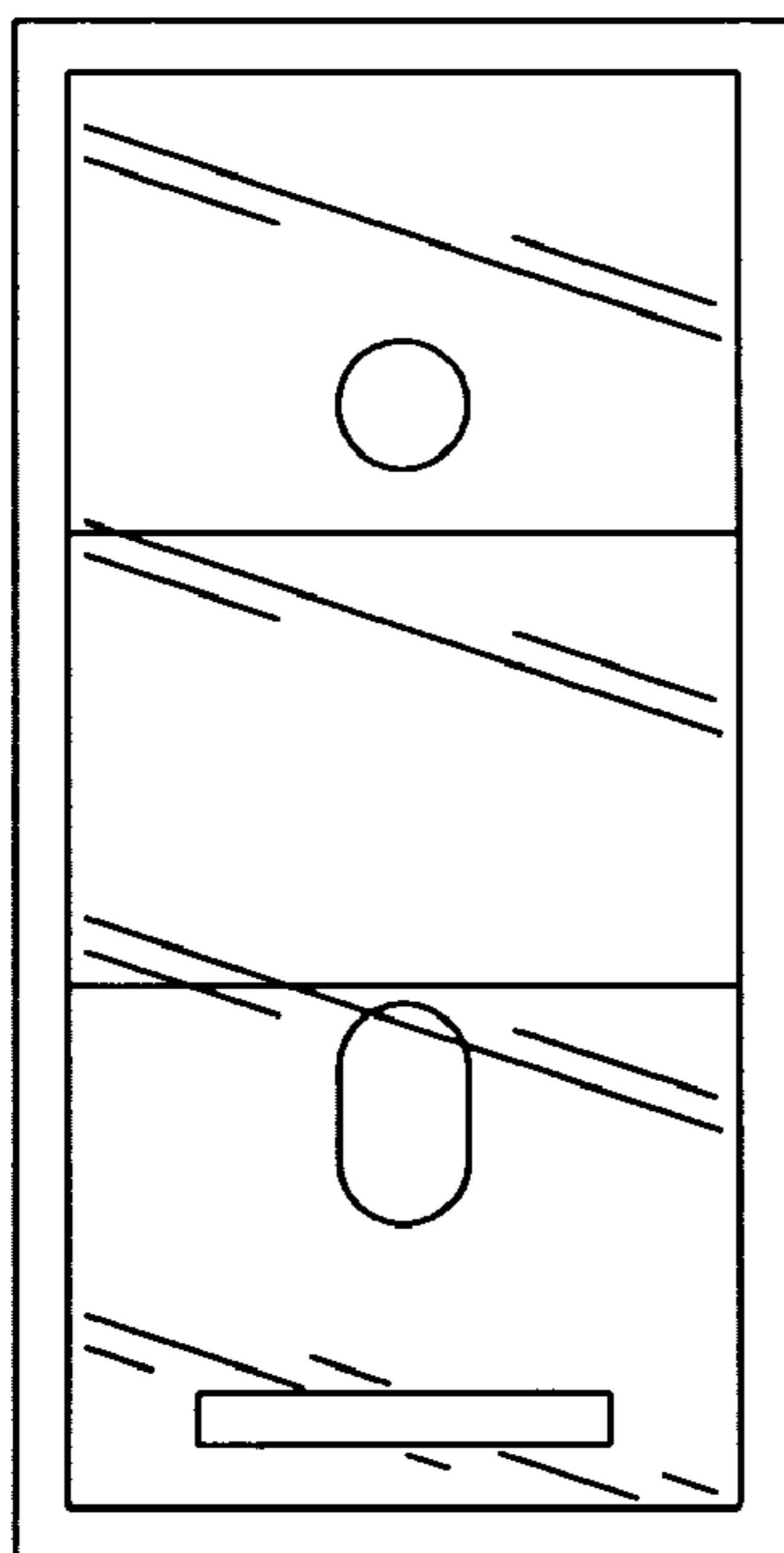


FIG. 2

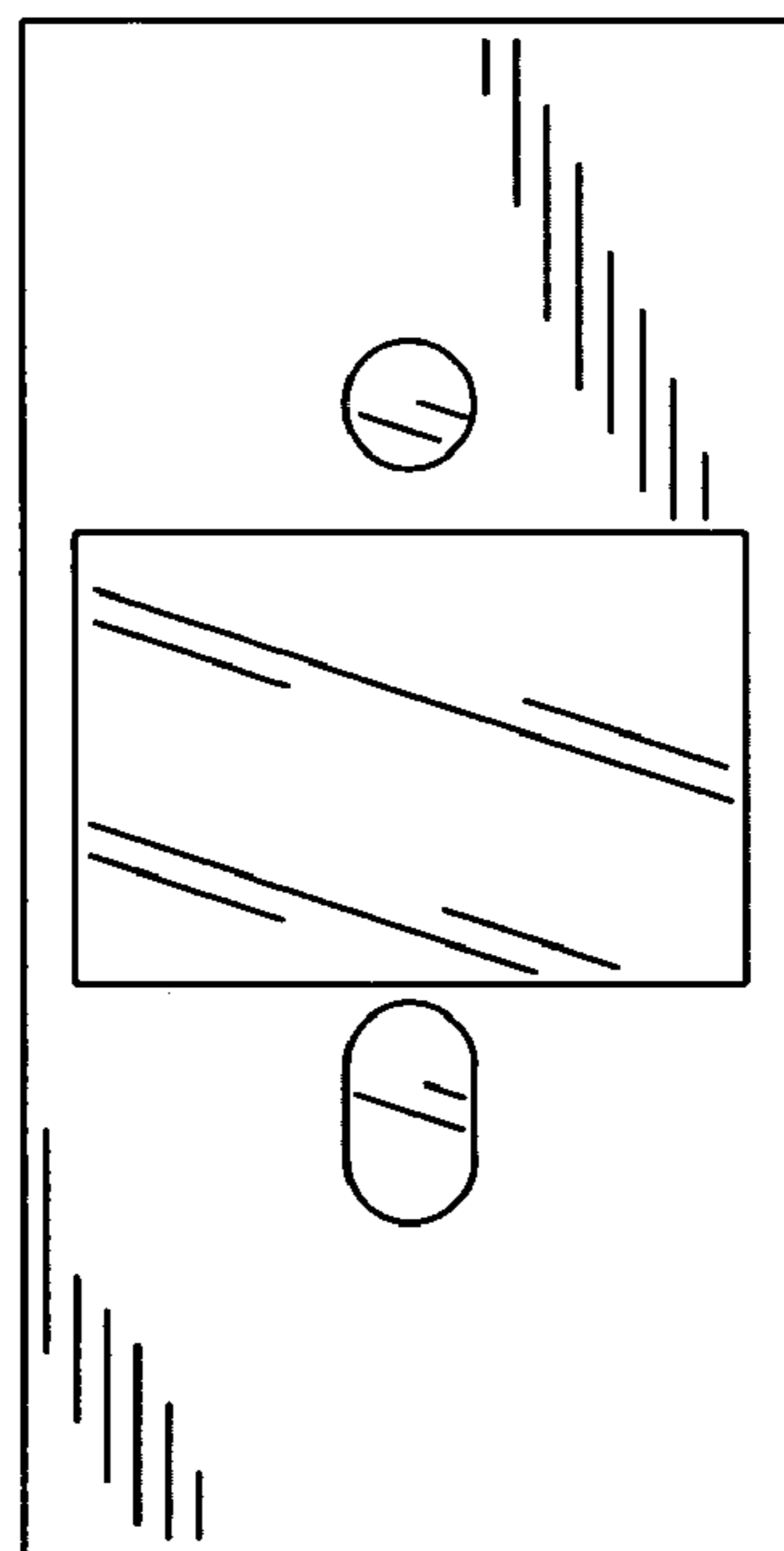


FIG. 3

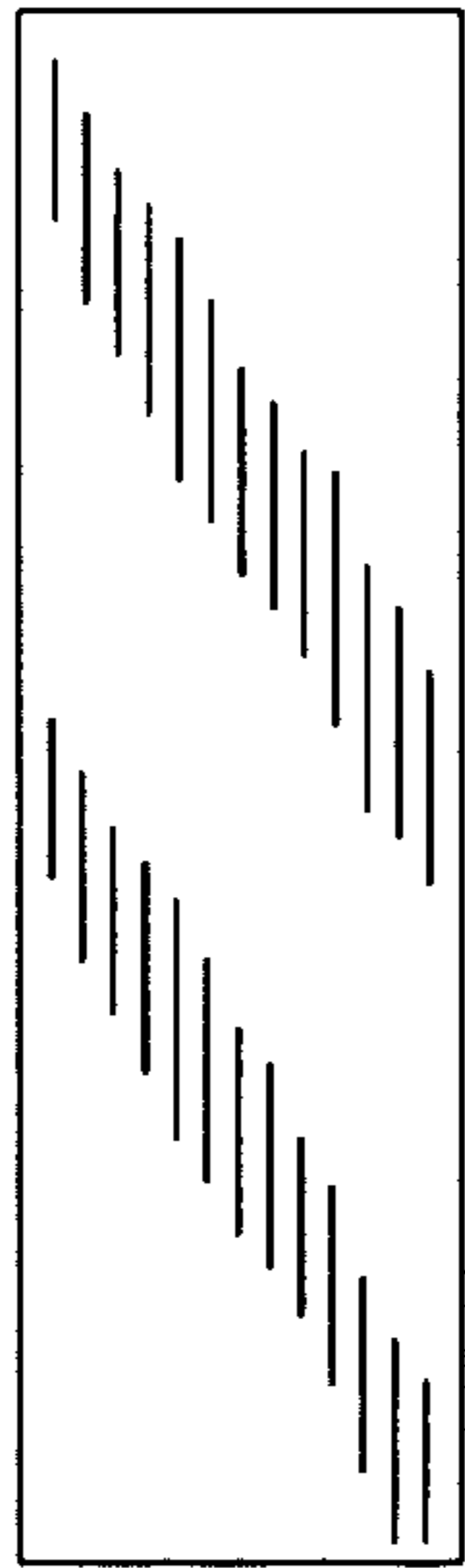


FIG. 4

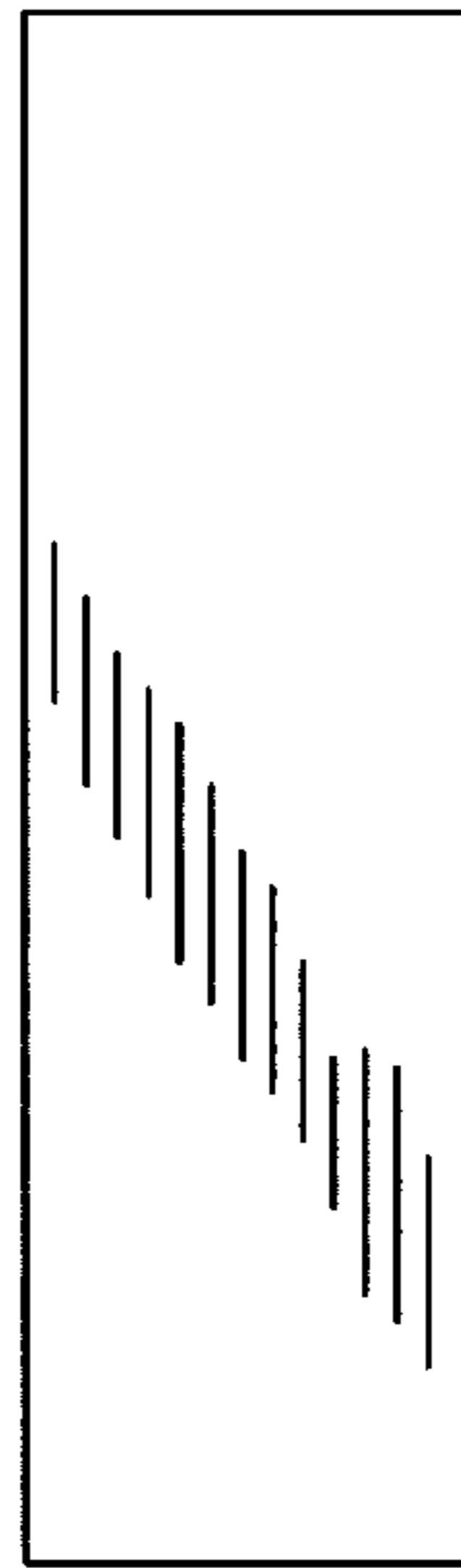


FIG. 5

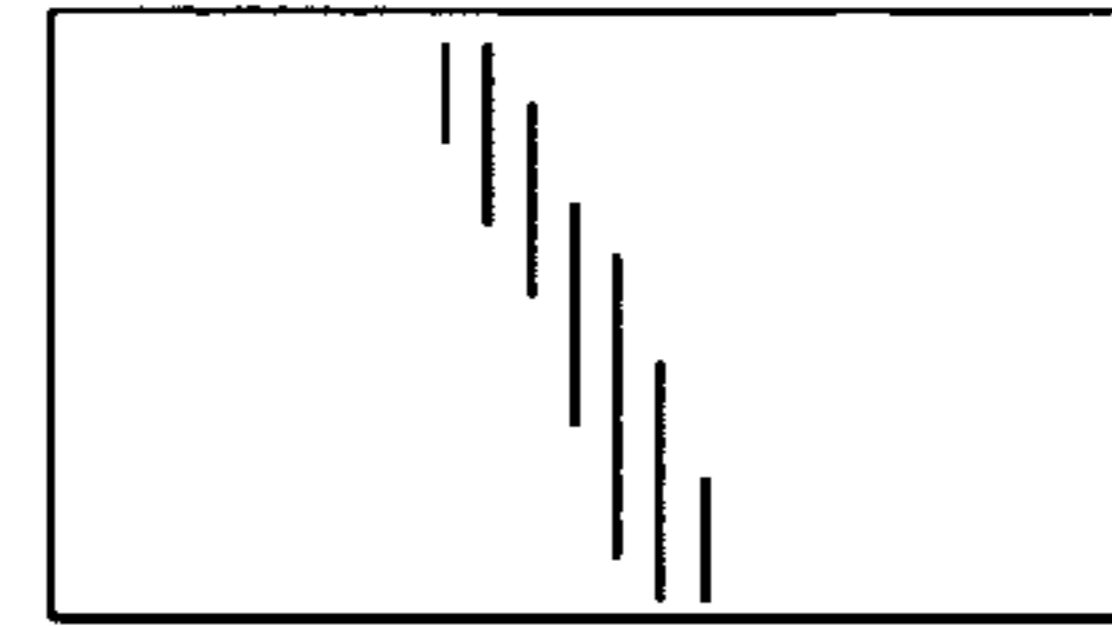


FIG. 6

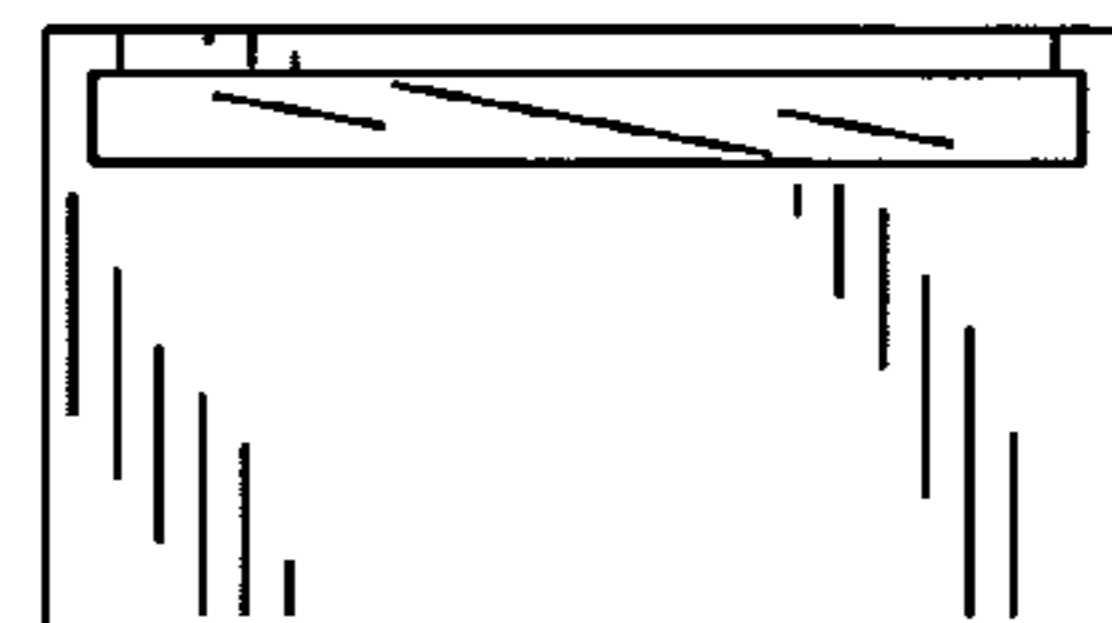


FIG. 7