



US00D567769S

(12) **United States Design Patent**
Sinai

(10) **Patent No.:** **US D567,769 S**

(45) **Date of Patent:** **** Apr. 29, 2008**

(54) **FLANGED ADAPTER RING**

(76) **Inventor:** **Bob Sinai**, 18074 Sandy Cape Dr.,
Pacific Palisades, CA (US) 90272

(**) **Term:** **14 Years**

(21) **Appl. No.:** **29/275,732**

(22) **Filed:** **Jan. 4, 2007**

(51) **LOC (8) Cl.** **13-03**

(52) **U.S. Cl.** **D13/173; D13/152**

(58) **Field of Classification Search** . D13/139.2-139.3,
D13/147, 152, 158, 160, 171, 173, 177, 184,
D13/199; 174/66; D8/353

See application file for complete search history.

(56) **References Cited**

U.S. PATENT DOCUMENTS

D341,353 S *	11/1993	O	D13/152
D351,099 S *	10/1994	Flasz	D8/353
D379,453 S *	5/1997	Fabrizi	D13/177
D459,312 S *	6/2002	Roesch et al.	D13/152
D461,114 S *	8/2002	Aubert Capella	D8/353
D461,393 S *	8/2002	Aubert Capella	D8/353
D510,323 S *	10/2005	Hawken	D13/152

7,129,412 B2 *	10/2006	Pierce	174/66
D539,751 S *	4/2007	Kiely	D13/152
2007/0151741 A1 *	7/2007	Binder et al.	174/66

* cited by examiner

Primary Examiner—Daniel Bui
Assistant Examiner—Thomas J Johannes
(74) *Attorney, Agent, or Firm*—Lawrence S. Cohen

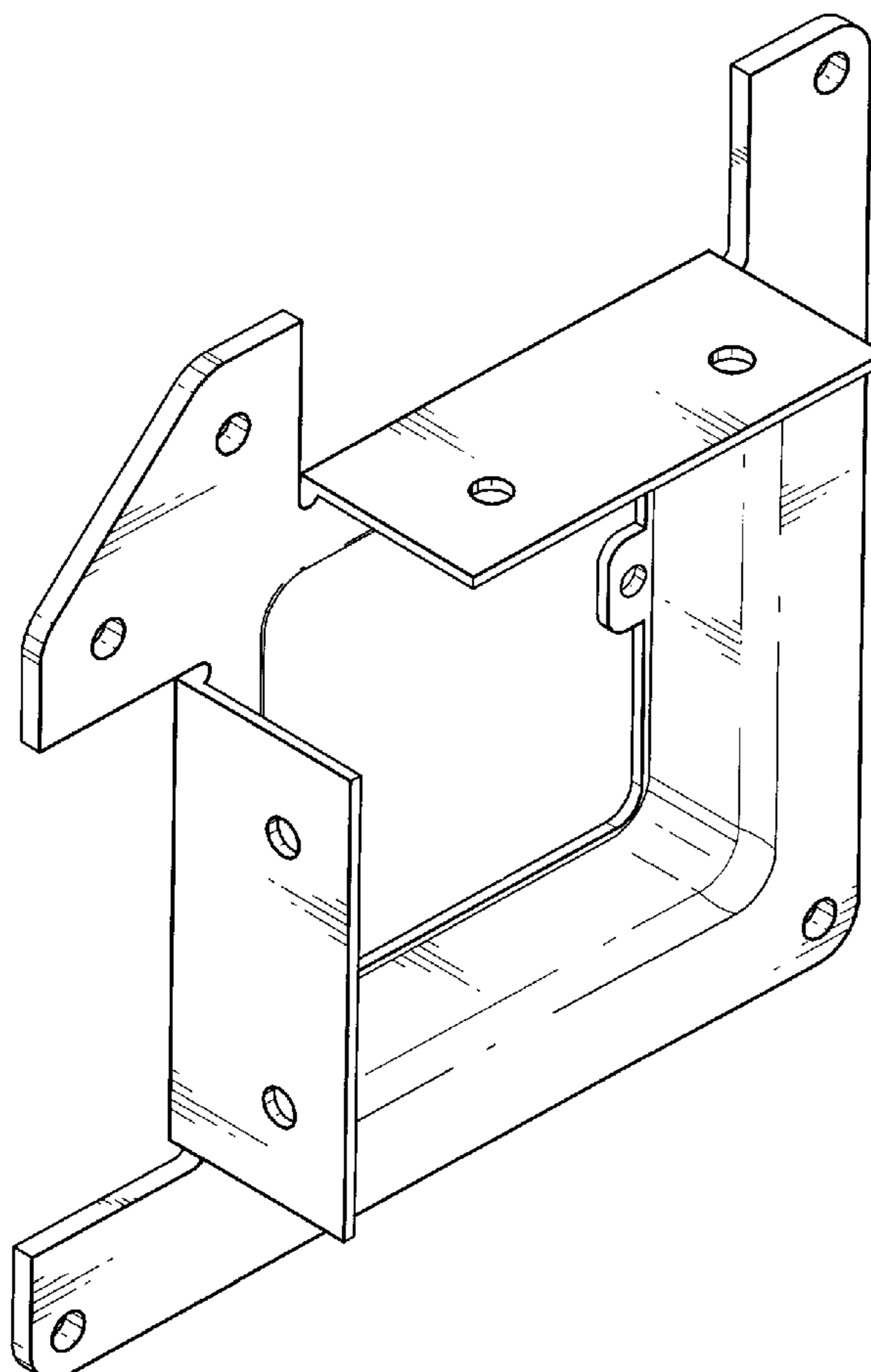
(57) **CLAIM**

The ornamental design for a flanged adapter ring, as shown and described.

DESCRIPTION

FIG. 1 is a perspective view of a flanged adapter ring showing my new design;
FIG. 2 is a rear view thereof;
FIG. 3 is a top view thereof;
FIG. 4 is a left side view thereof;
FIG. 5 is a right side view thereof;
FIG. 6 is a front view thereof; and,
FIG. 7 is a bottom view thereof.

1 Claim, 4 Drawing Sheets



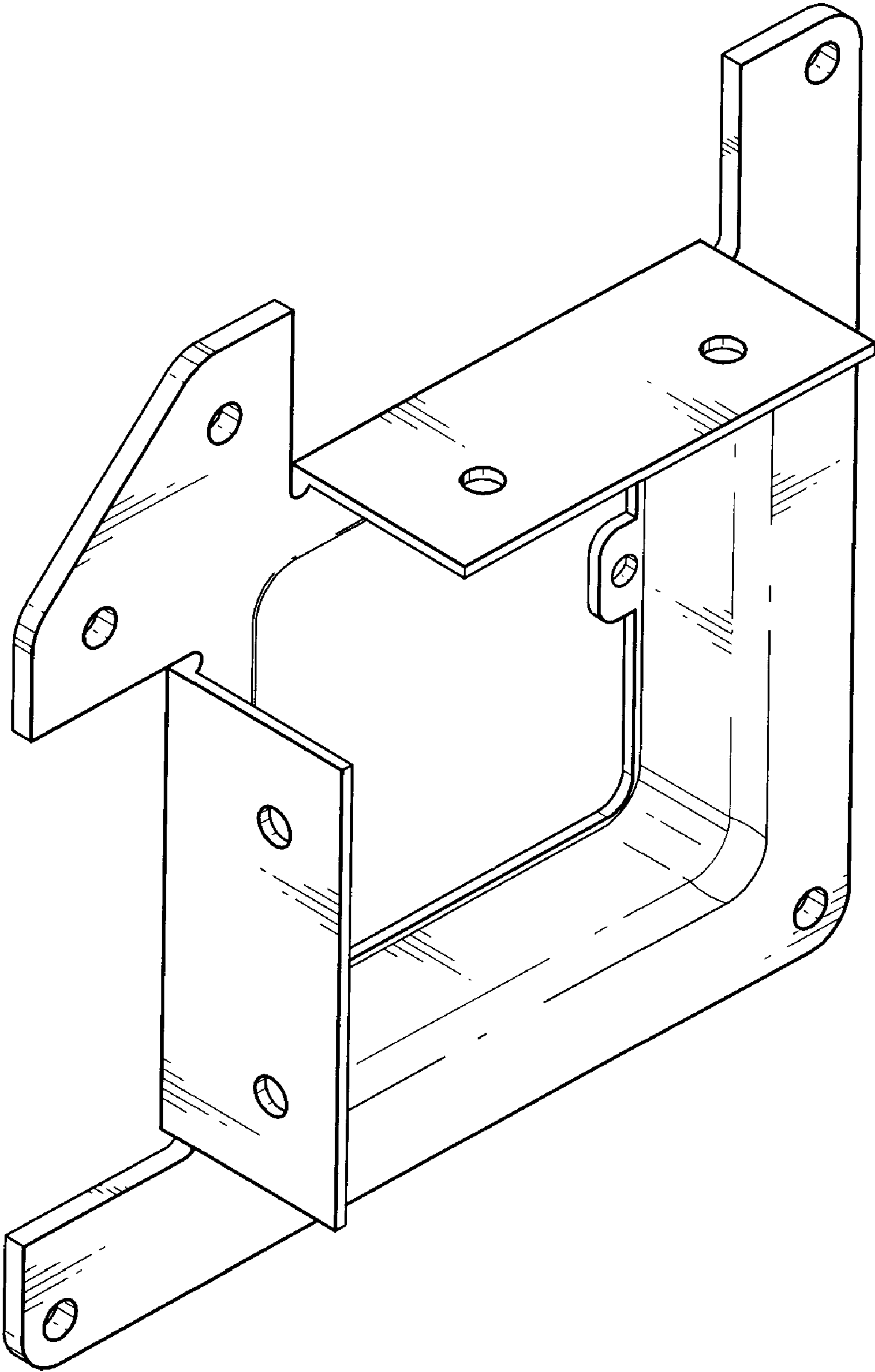


FIG. 1

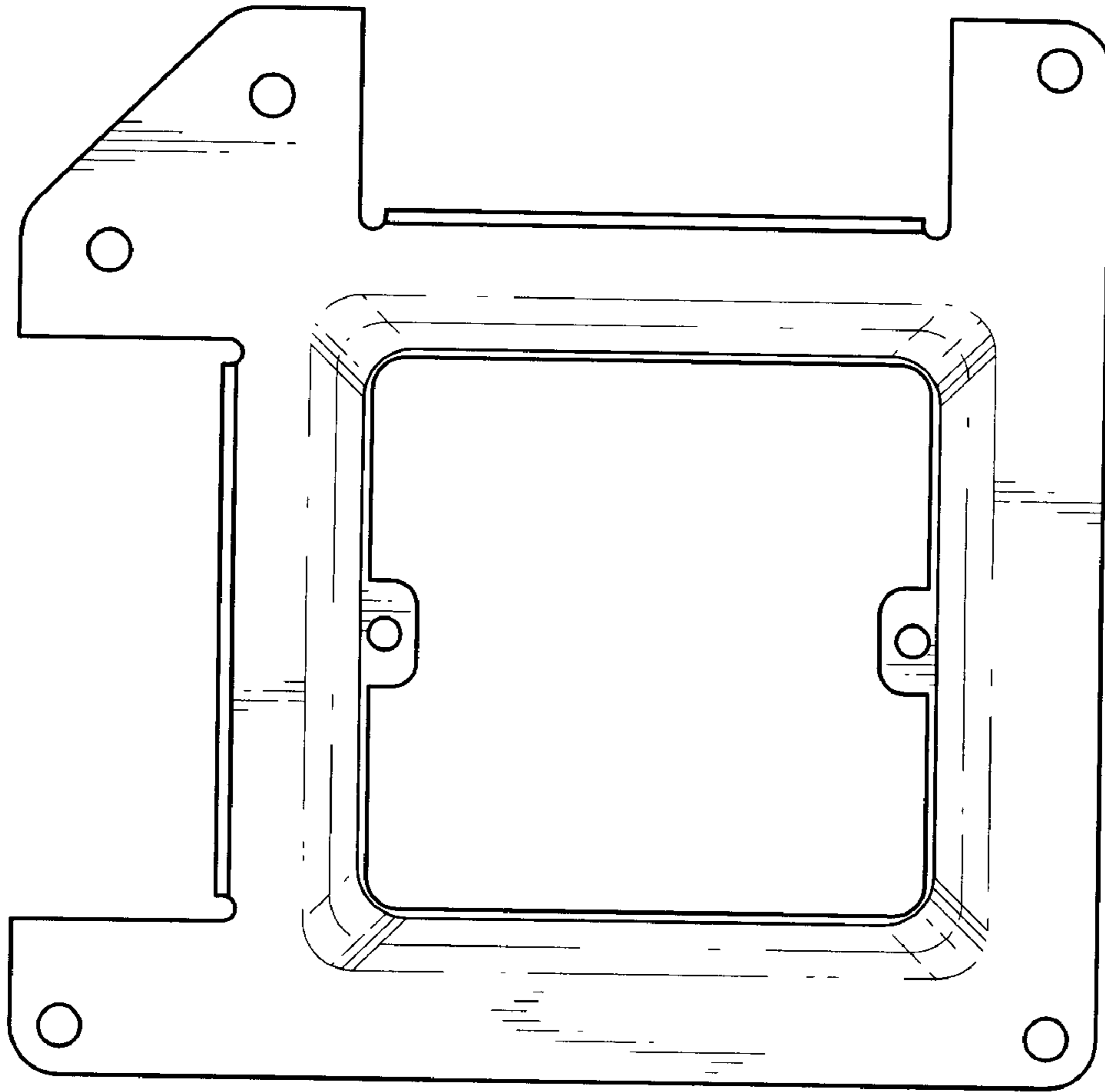


FIG. 2

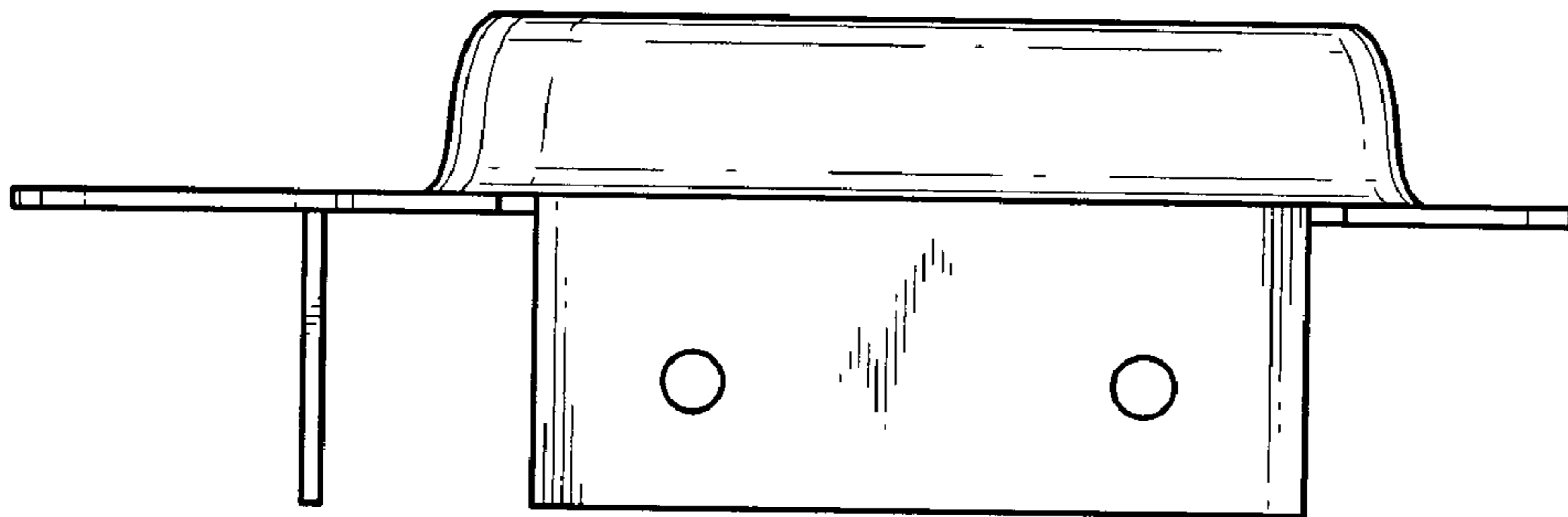


FIG. 3

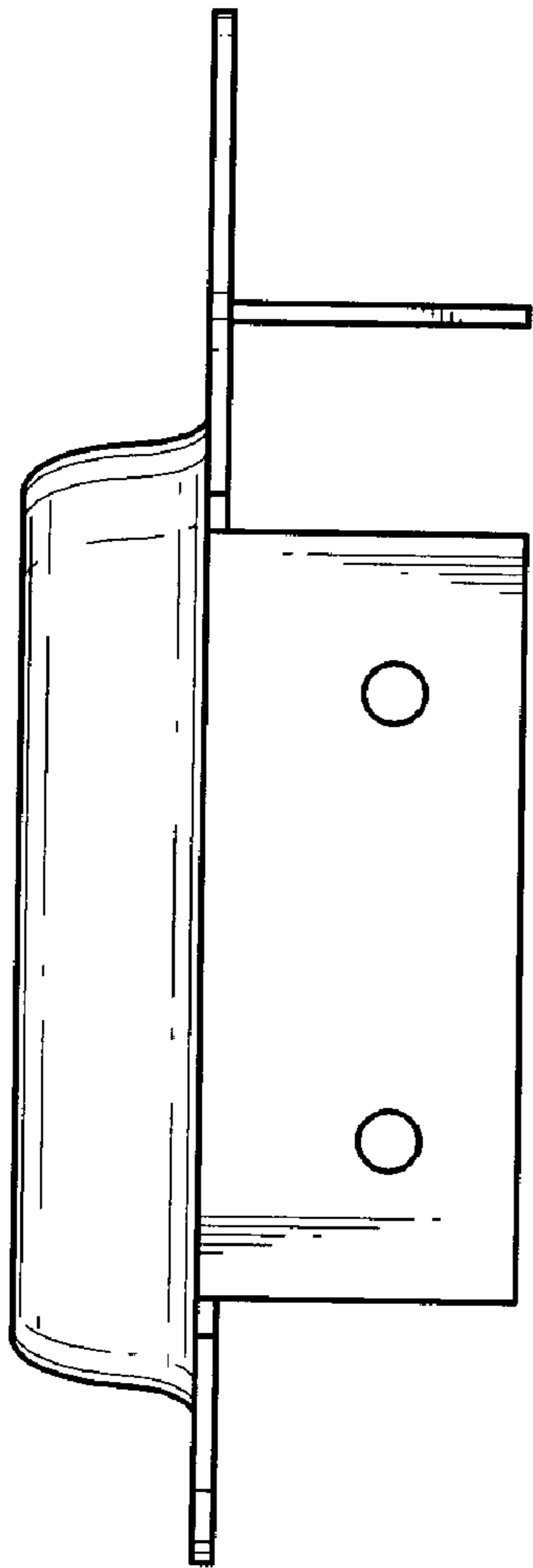


FIG. 4

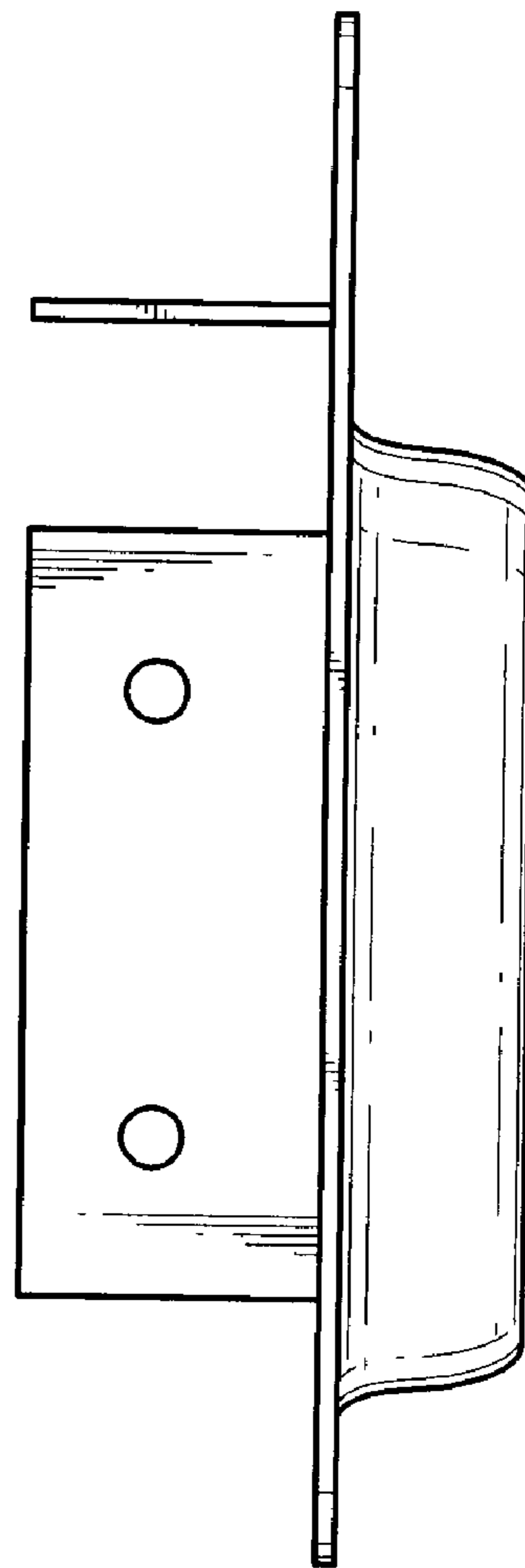


FIG. 5

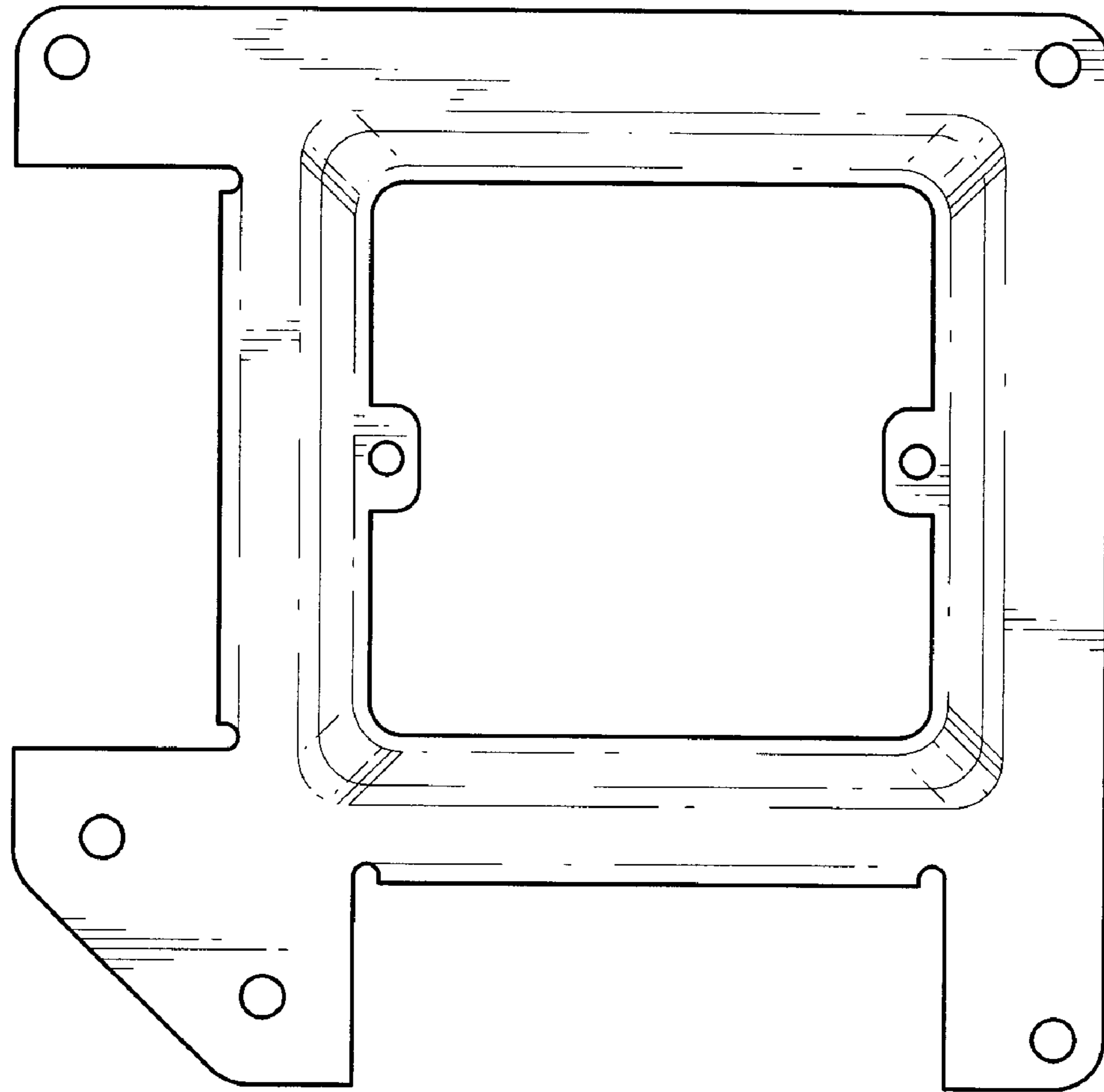


FIG. 6

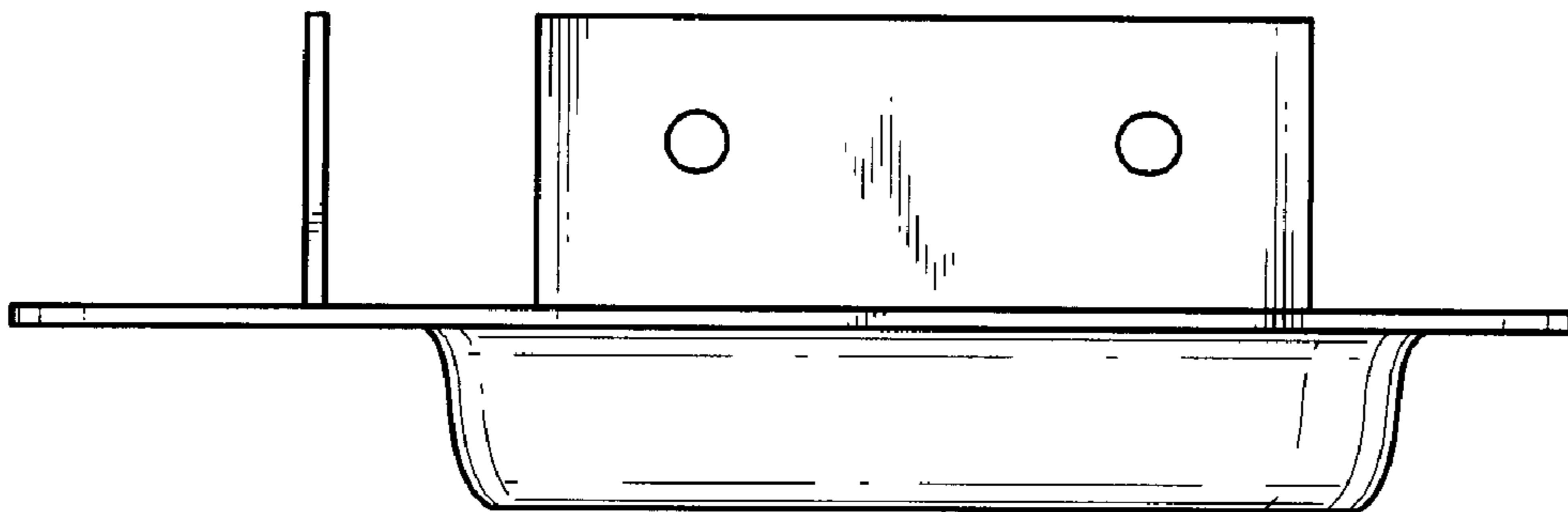


FIG. 7