



US00D567768S

(12) **United States Design Patent**
Lee et al.

(10) **Patent No.:** **US D567,768 S**
(45) **Date of Patent:** **** Apr. 29, 2008**

- (54) **HMD (HEAD MOUNTED DISPLAY)**
- (75) Inventors: **Ki-Eon Lee**, Seoul (KR); **Yoon-Young Cho**, Seoul (KR); **Chang-Soo Lee**, Incheon (KR)
- (73) Assignee: **Samsung Electronics Co., Ltd.**, Suwon-Si (KR)
- (**) Term: **14 Years**
- (21) Appl. No.: **29/274,726**
- (22) Filed: **May 17, 2007**

(30) **Foreign Application Priority Data**
Dec. 20, 2006 (KR) 30-2006-0050802

- (51) **LOC (8) Cl.** **13-03**
- (52) **U.S. Cl.** **D13/168**
- (58) **Field of Classification Search** D13/168;
D10/104, 106; D14/218, 247; 340/825.22,
340/825.24, 825.25, 825.31, 825.36, 825.69,
340/825.72; 341/20, 22, 23, 34, 176; 345/7,
345/169; 348/734; 455/92, 95, 100, 128,
455/151.1–151.4, 352–355; 463/39; 700/17,
700/19, 20, 65, 83; 701/2; 359/630
See application file for complete search history.

(56) **References Cited**
U.S. PATENT DOCUMENTS

5,153,569	A *	10/1992	Kawamura et al.	345/8
D415,115	S *	10/1999	Kawashima	D13/168
5,969,698	A *	10/1999	Richard et al.	345/7
D427,157	S *	6/2000	Kawashima	D13/168
6,445,363	B1 *	9/2002	Urisaka	345/7
6,727,865	B1 *	4/2004	Yonezawa	345/7
6,747,611	B1 *	6/2004	Budd et al.	345/7
6,762,885	B1 *	7/2004	Ogasawara et al.	359/630
6,771,424	B1 *	8/2004	Amafuji et al.	359/632
6,970,723	B2 *	11/2005	Chigira	455/566

7,148,860 B2 * 12/2006 Kooi et al. 345/7
7,199,934 B2 * 4/2007 Yamasaki 359/630
2007/0064311 A1 * 3/2007 Park 359/630

* cited by examiner

Primary Examiner—Selina Sikder
(74) *Attorney, Agent, or Firm*—Staas & Halsey LLP

(57) **CLAIM**

The ornamental design for an HMD (head mounted display), as shown and described.

DESCRIPTION

FIG. 1 is a perspective view of an HMD (head mounted display);

FIG. 2 is a front view of the HMD (head mounted display) of FIG. 1;

FIG. 3 is a rear view of the HMD (head mounted display) of FIG. 1;

FIG. 4 is a left-side view of the HMD (head mounted display) of FIG. 1;

FIG. 5 is a right-side view of the HMD (head mounted display) of FIG. 1;

FIG. 6 is a top plan view of the HMD (head mounted display) of FIG. 1;

FIG. 7 is a bottom plan view of the HMD (head mounted display) of FIG. 1;

FIG. 8 is a view of the HMD (head mounted display) of FIG. 1 where it is connected to display glasses;

FIG. 9 is a perspective view of the HMD (head mounted display) of FIG. 1 connected to a necklace; and,

FIG. 10 is another front view of the HMD (head mounted display) of FIG. 1 connected to the necklace.

Features shown in dash lines in the drawings form no part of the claimed design.

1 Claim, 7 Drawing Sheets

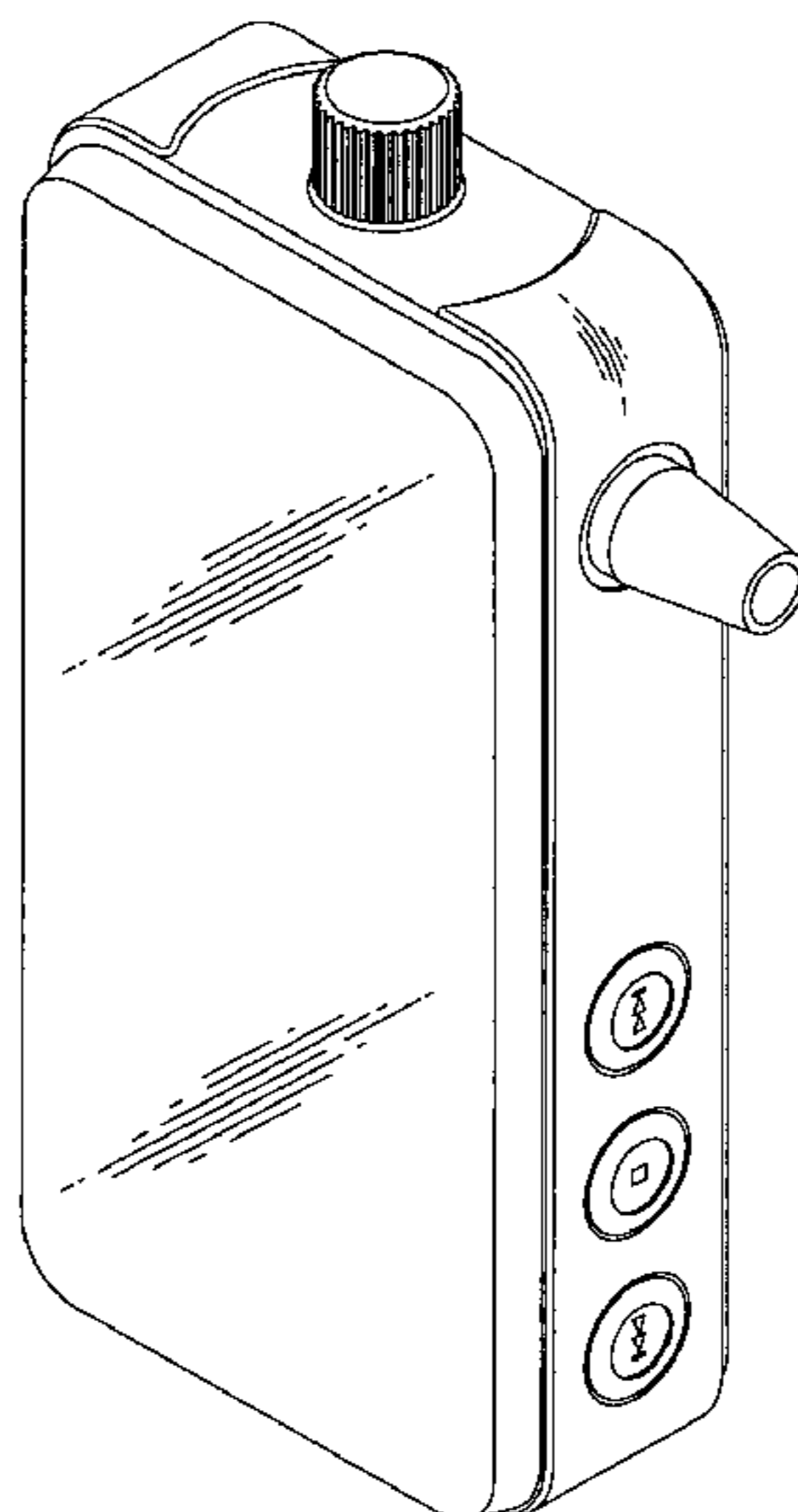


FIG. 1

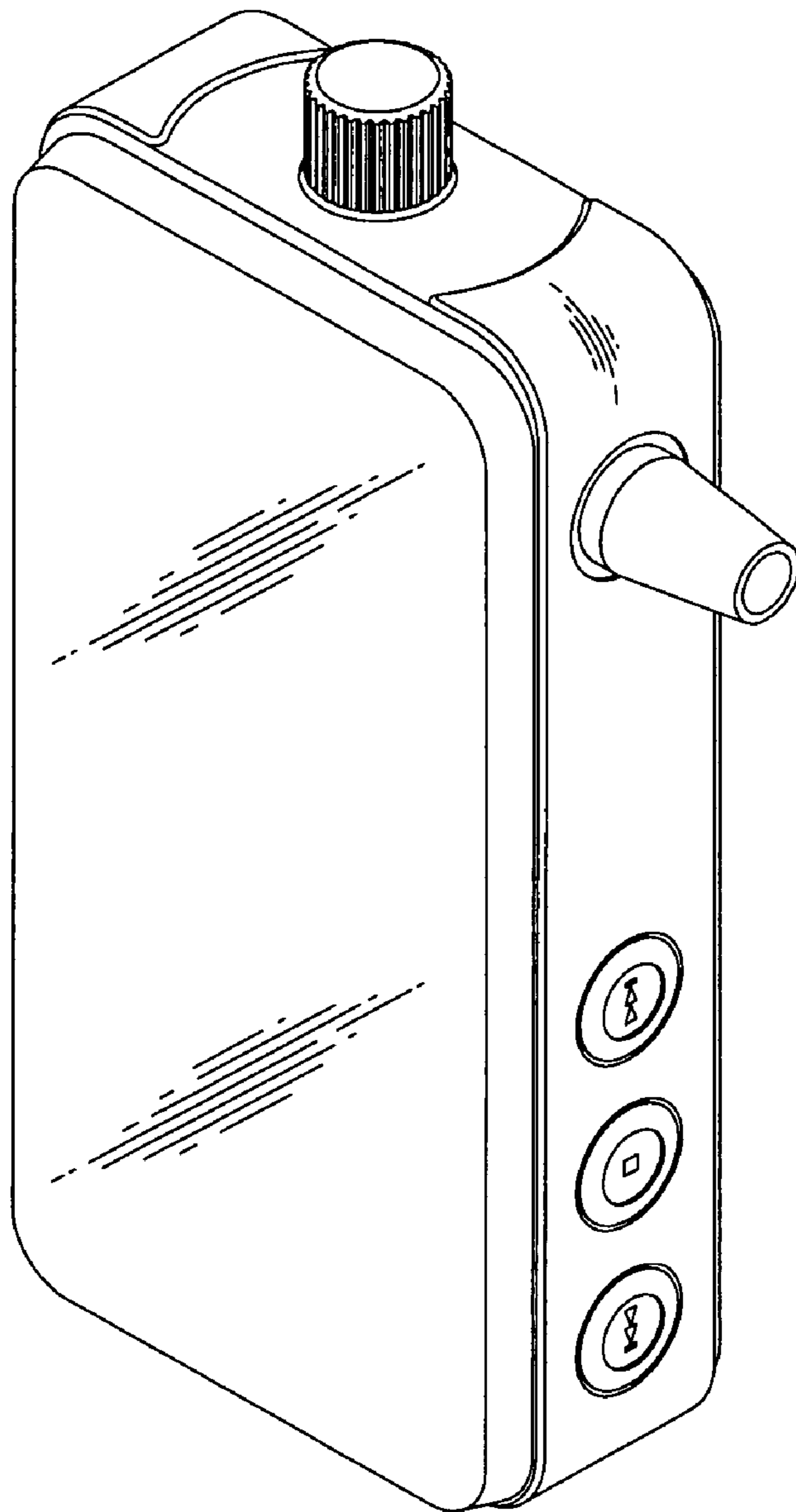


FIG. 2

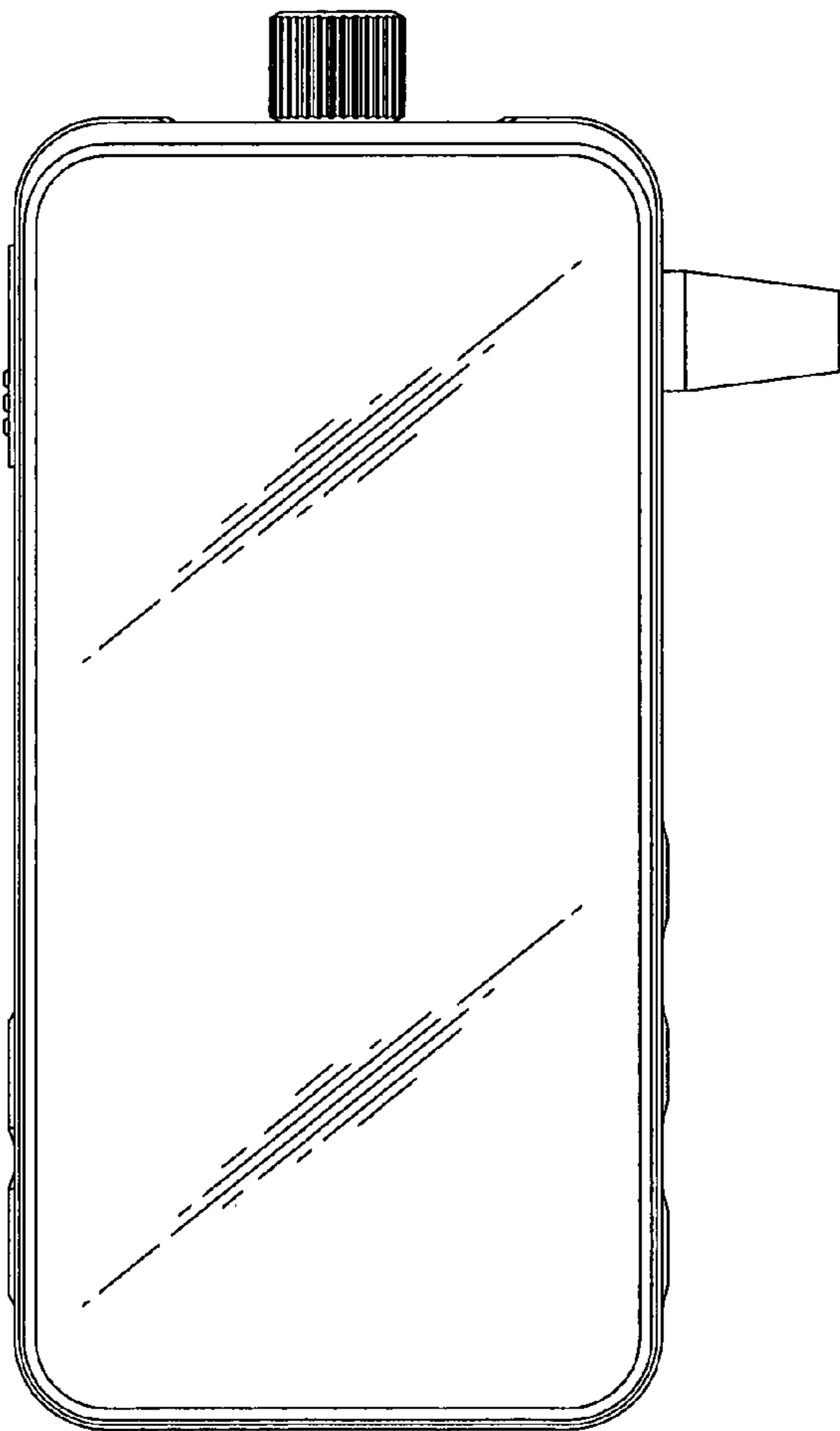


FIG. 3

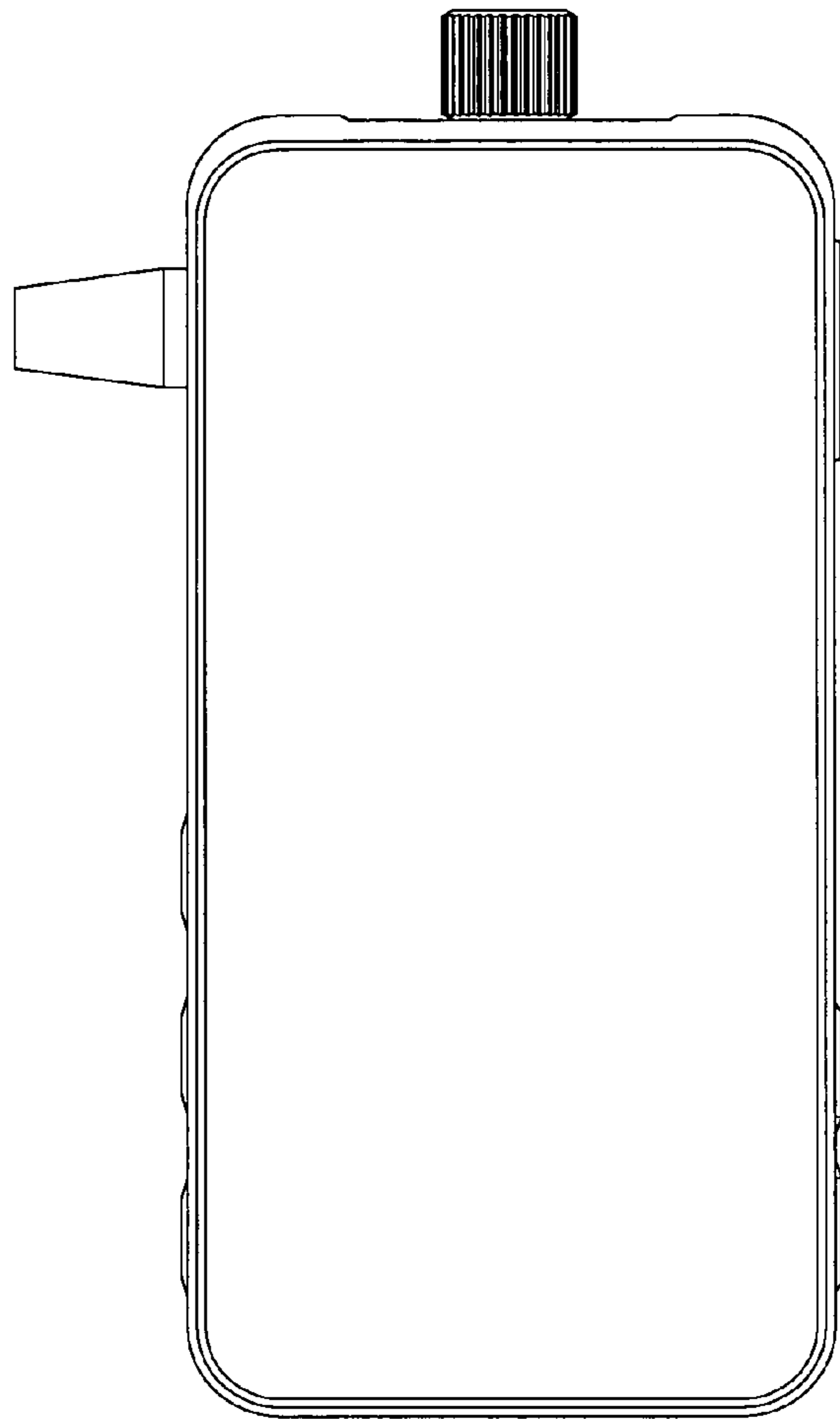


FIG. 4

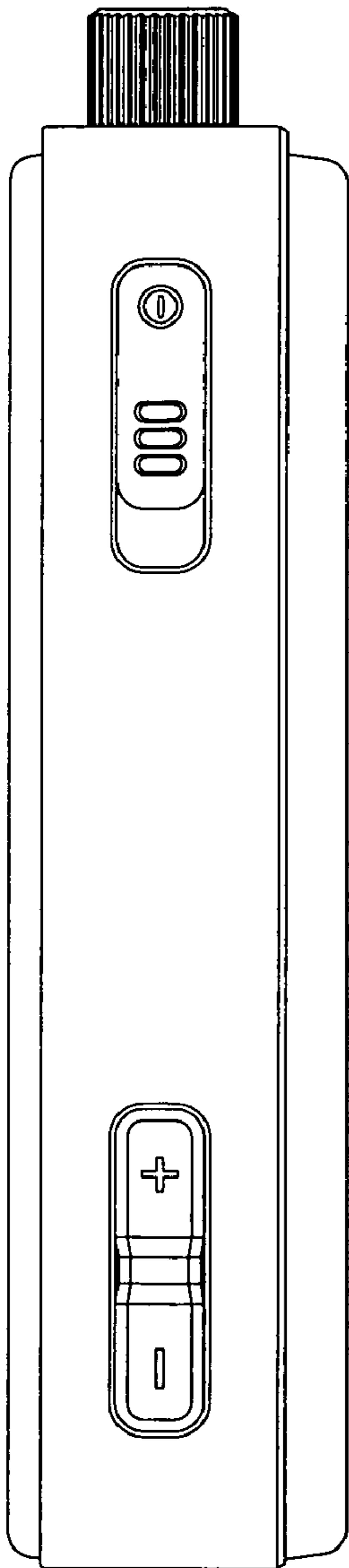


FIG. 5

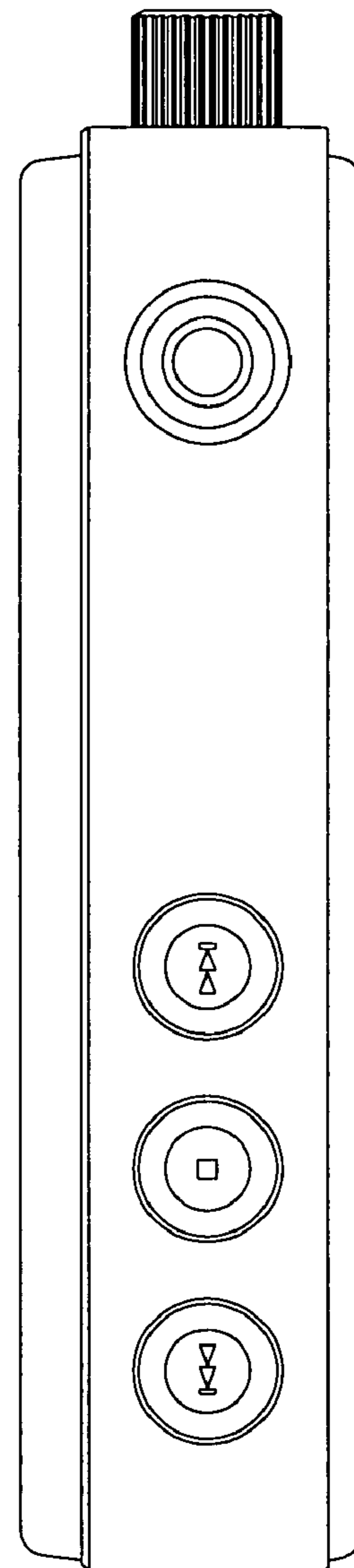


FIG. 6

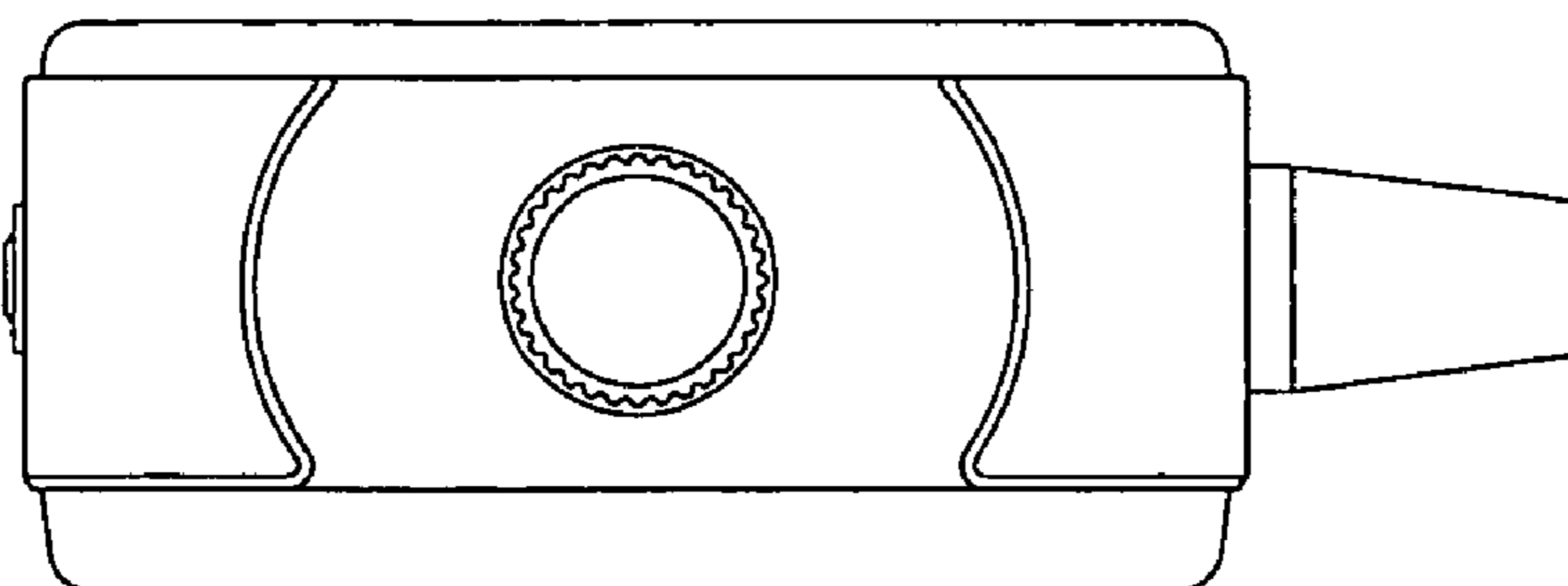


FIG. 7

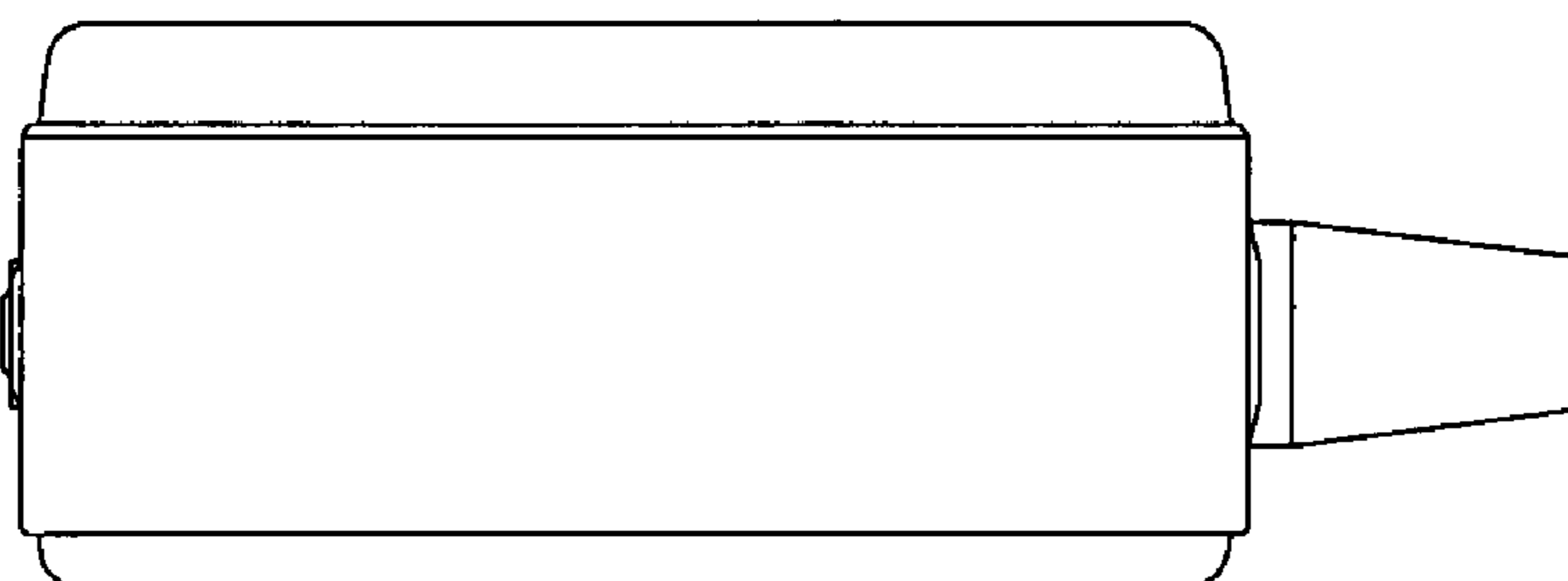


FIG. 8

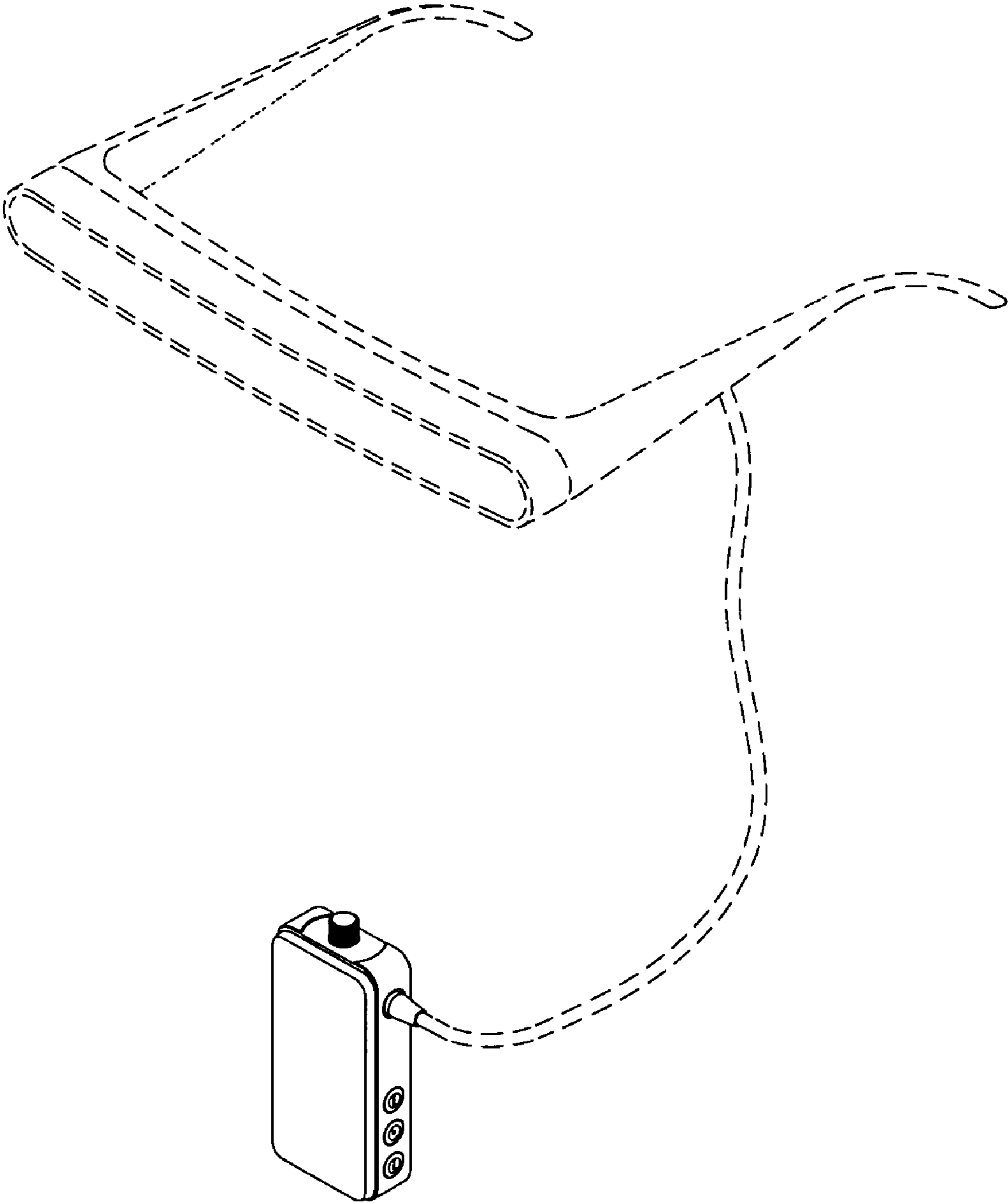


FIG. 9

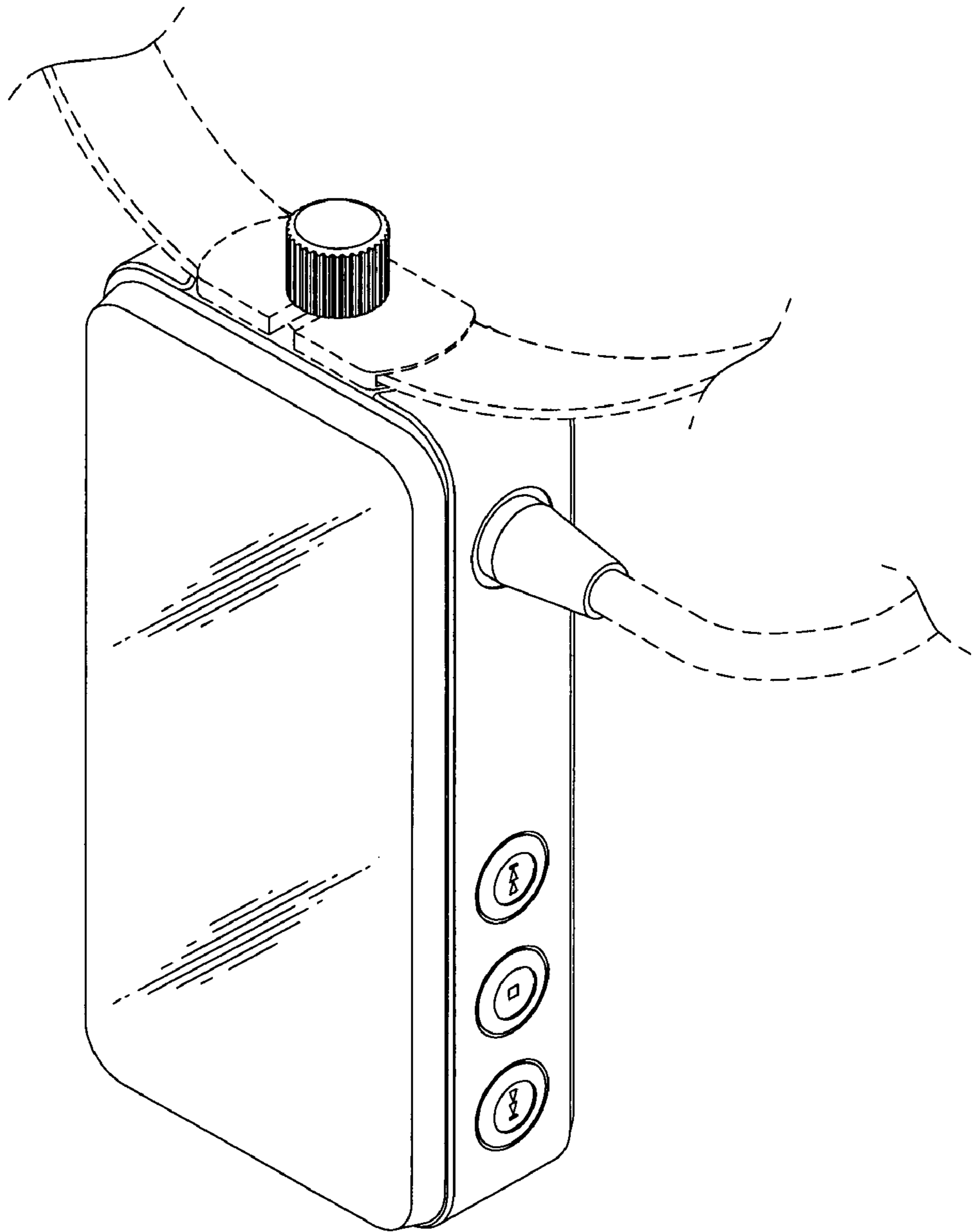


FIG. 10

