



US00D567766S

(12) **United States Design Patent**
Ohta

(10) **Patent No.:** **US D567,766 S**

(45) **Date of Patent:** **** Apr. 29, 2008**

(54) **FUSE**

(75) Inventor: **Manabu Ohta**, Ogaki (JP)

(73) Assignee: **Pacific Engineering Corp.**, Gifu-ken (JP)

(**) Term: **14 Years**

(21) Appl. No.: **29/281,466**

(22) Filed: **Jun. 24, 2007**

Related U.S. Application Data

(62) Division of application No. 29/230,091, filed on May 17, 2005.

Foreign Application Priority Data

Nov. 30, 2004 (JP) 2004-036535
Nov. 30, 2004 (JP) 2004-036536
Nov. 30, 2004 (JP) 2004-036537

(51) **LOC (8) Cl.** **13-03**

(52) **U.S. Cl.** **D13/161; D13/177**

(58) **Field of Classification Search** D13/160,
D13/161, 173, 177, 184, 199; 337/186, 262,
337/290, 295, 404, 201, 231, 279, 414;
439/620.26-620.29, 621, 622; 29/623; 174/564;
220/378; 360/97.01

See application file for complete search history.

(56) **References Cited**

U.S. PATENT DOCUMENTS

4,511,875 A * 4/1985 Arikawa 337/201
4,544,907 A 10/1985 Takano
4,599,596 A * 7/1986 Arikawa et al. 337/201
4,622,534 A 11/1986 Bowman
4,672,352 A * 6/1987 Takano 337/264
D317,906 S 7/1991 Winter et al.
D318,270 S 7/1991 Tsuji et al.
D318,855 S 8/1991 Tsuji et al.
D333,812 S 3/1993 Krasser
D340,914 S 11/1993 Krasser
5,317,462 A * 5/1994 Kakizaki et al. 360/97.02

5,346,411 A 9/1994 Nikkinen
D368,072 S * 3/1996 Hanazaki et al. D13/161
5,509,565 A * 4/1996 Hoffman 220/378
D372,223 S 7/1996 Hanazaki et al.
D373,570 S 9/1996 Kudo et al.
D375,940 S 11/1996 Shimizu et al.
5,581,225 A * 12/1996 Oh et al. 337/295
5,739,741 A * 4/1998 Hanazaki et al. 337/290
D402,275 S * 12/1998 Korhonen D13/184
D407,692 S 4/1999 Lin
D408,367 S 4/1999 Heintl
5,977,859 A 11/1999 Kawamura et al.
6,030,257 A * 2/2000 Furuya 439/620.26
6,064,293 A 5/2000 Jungst et al.
D442,922 S * 5/2001 Sato D13/177

(Continued)

FOREIGN PATENT DOCUMENTS

JP 787741 2/1990

(Continued)

Primary Examiner—Selina Sikder
Assistant Examiner—Thomas J Johannes
(74) *Attorney, Agent, or Firm*—Synnestvedt & Lechner LLP

(57) **CLAIM**

The ornamental design for a fuse, as shown and described.

DESCRIPTION

FIG. 1 is a perspective view of a fuse, showing my new design;

FIG. 2 is a front view thereof;

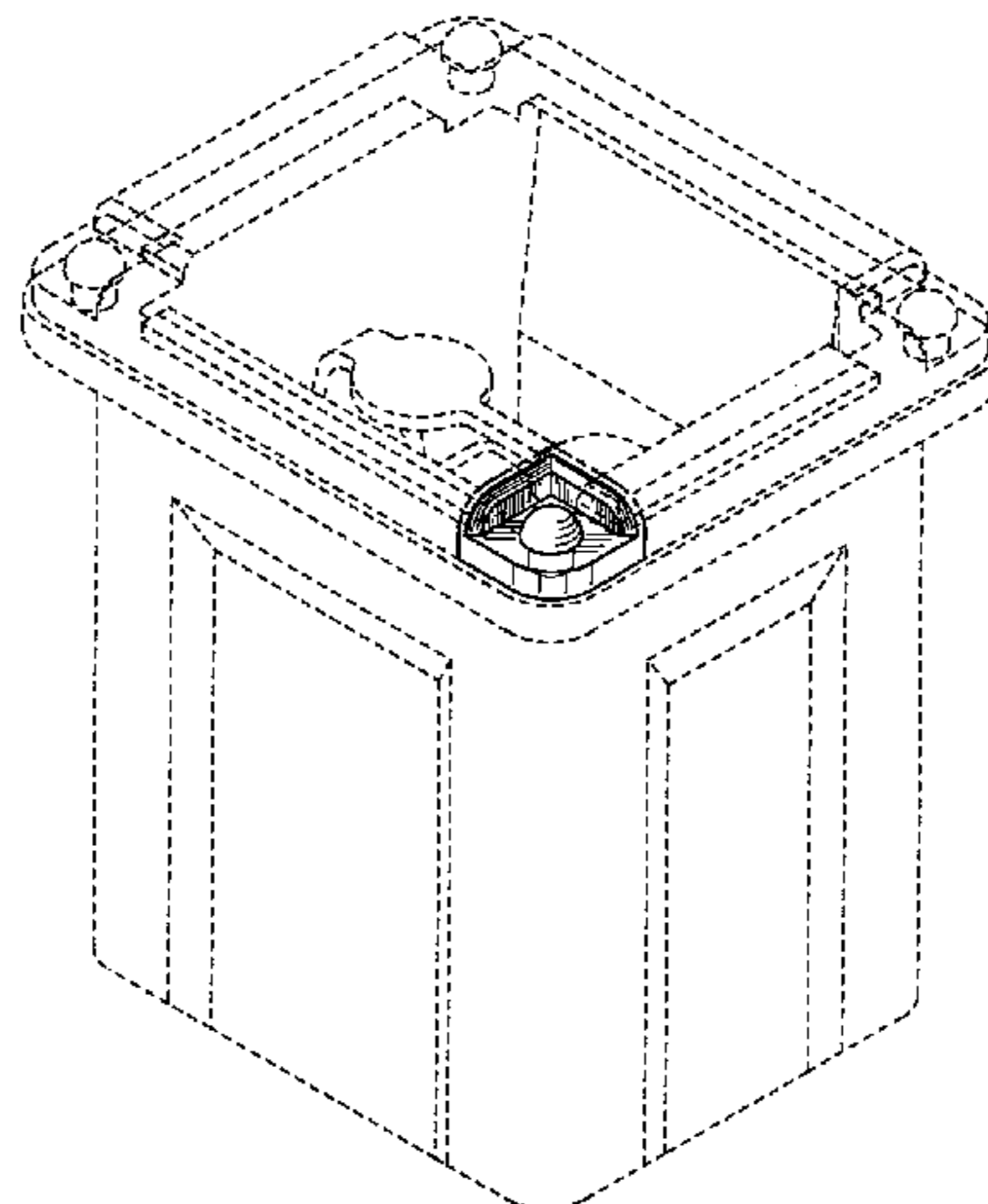
FIG. 3 is a top plan view thereof;

FIG. 4 is a right side elevational view thereof; and,

FIG. 5 is an enlarged cross-sectional view taken along line 5—5 of FIG. 3.

The broken lines shown are for illustrative purposes only and form no part of the claimed design.

1 Claim, 3 Drawing Sheets



US D567,766 S

Page 2

U.S. PATENT DOCUMENTS

D451,889 S 12/2001 Ohashi et al.
D452,851 S 1/2002 Ohashi et al.
D453,741 S 2/2002 Onoda et al.
D454,842 S 3/2002 Ohashi et al.
D461,169 S 8/2002 Onoda et al.
D461,781 S 8/2002 Fukumori et al.
D473,223 S * 4/2003 Pullman D14/240
6,558,198 B2 5/2003 Kobayashi et al.
6,567,237 B2 * 5/2003 Iwahara et al. 360/97.02
D518,792 S 4/2006 Ohta

D546,274 S * 7/2007 Yonehara et al. D13/101
2003/0222752 A1 * 12/2003 Ohashi et al. 337/186
2004/0165308 A1 * 8/2004 Gunderson et al. 360/97.02
2005/0206492 A1 9/2005 Chao

FOREIGN PATENT DOCUMENTS

JP 1131402 11/2001
JP 1176997 4/2003
JP 1176998 4/2003

* cited by examiner

FIG. 1

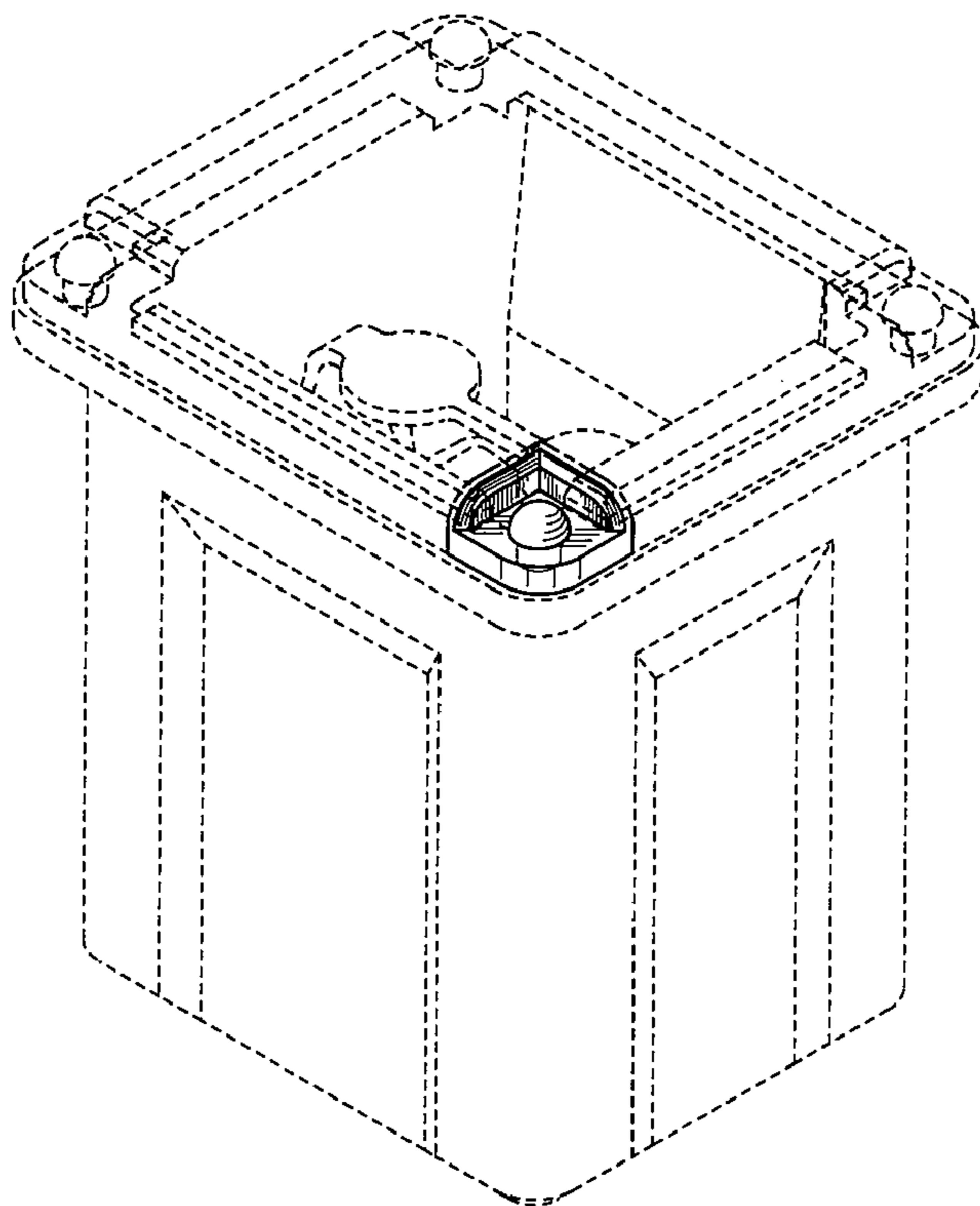


FIG. 2

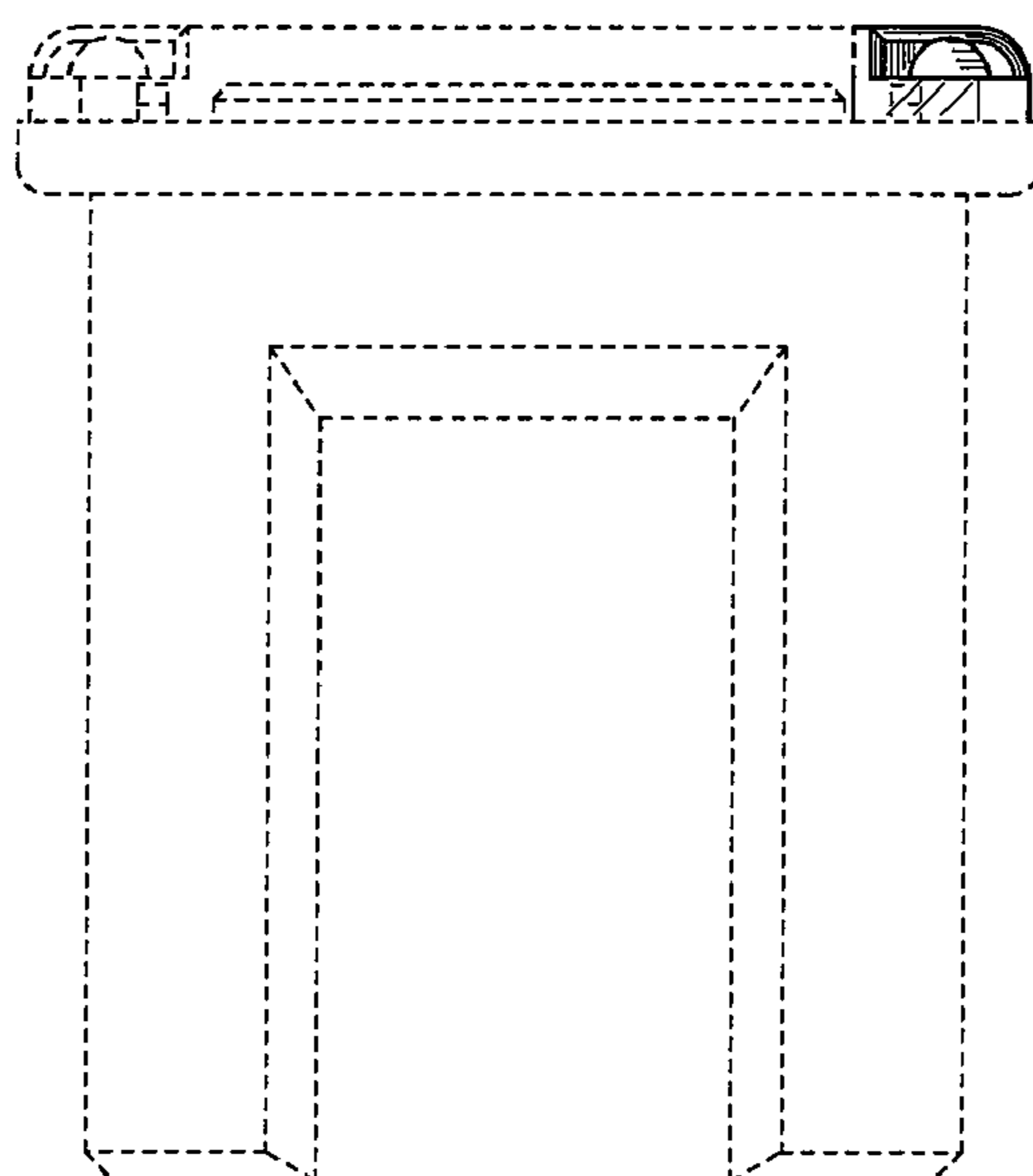


FIG. 3

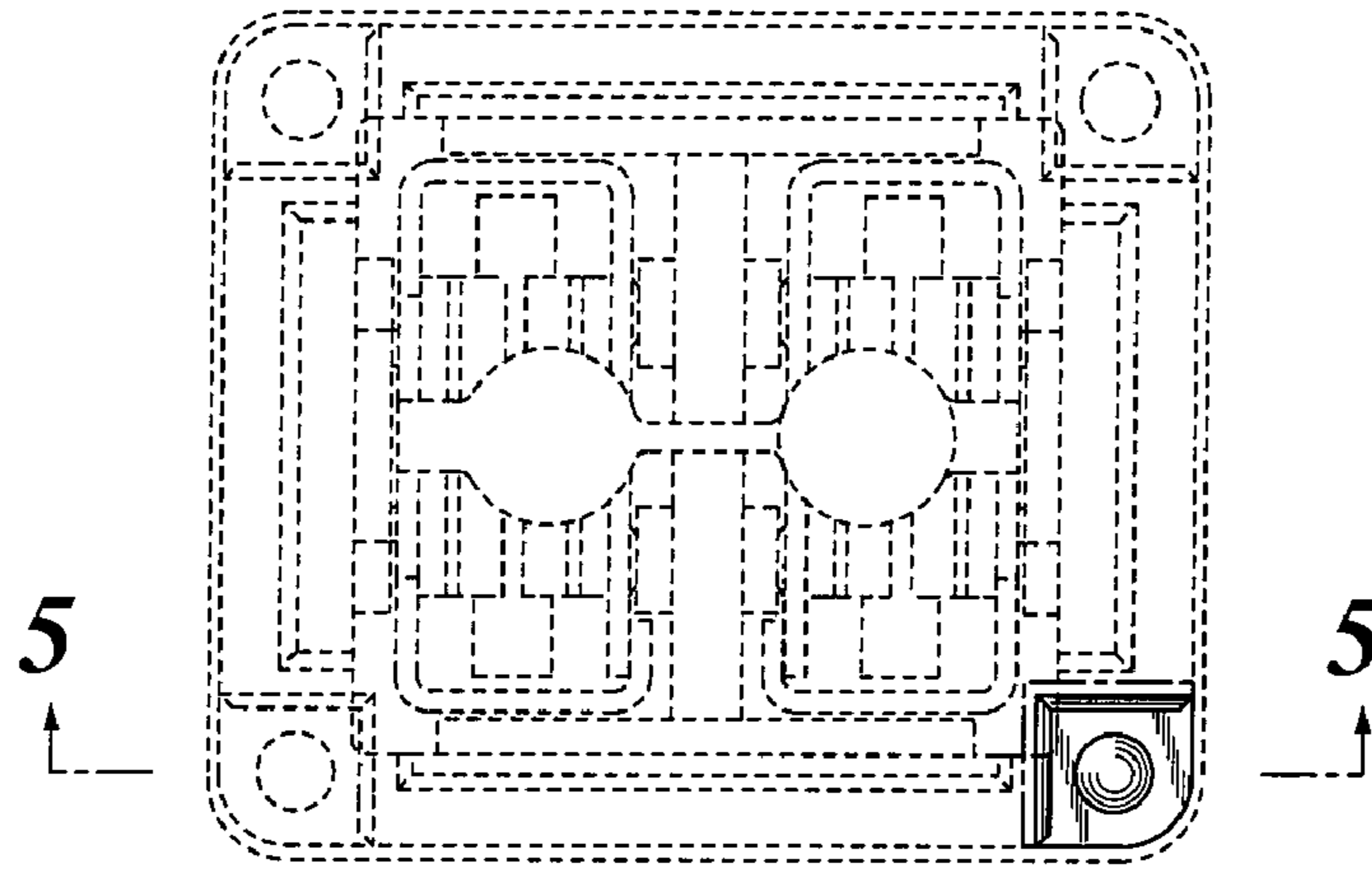


FIG. 4

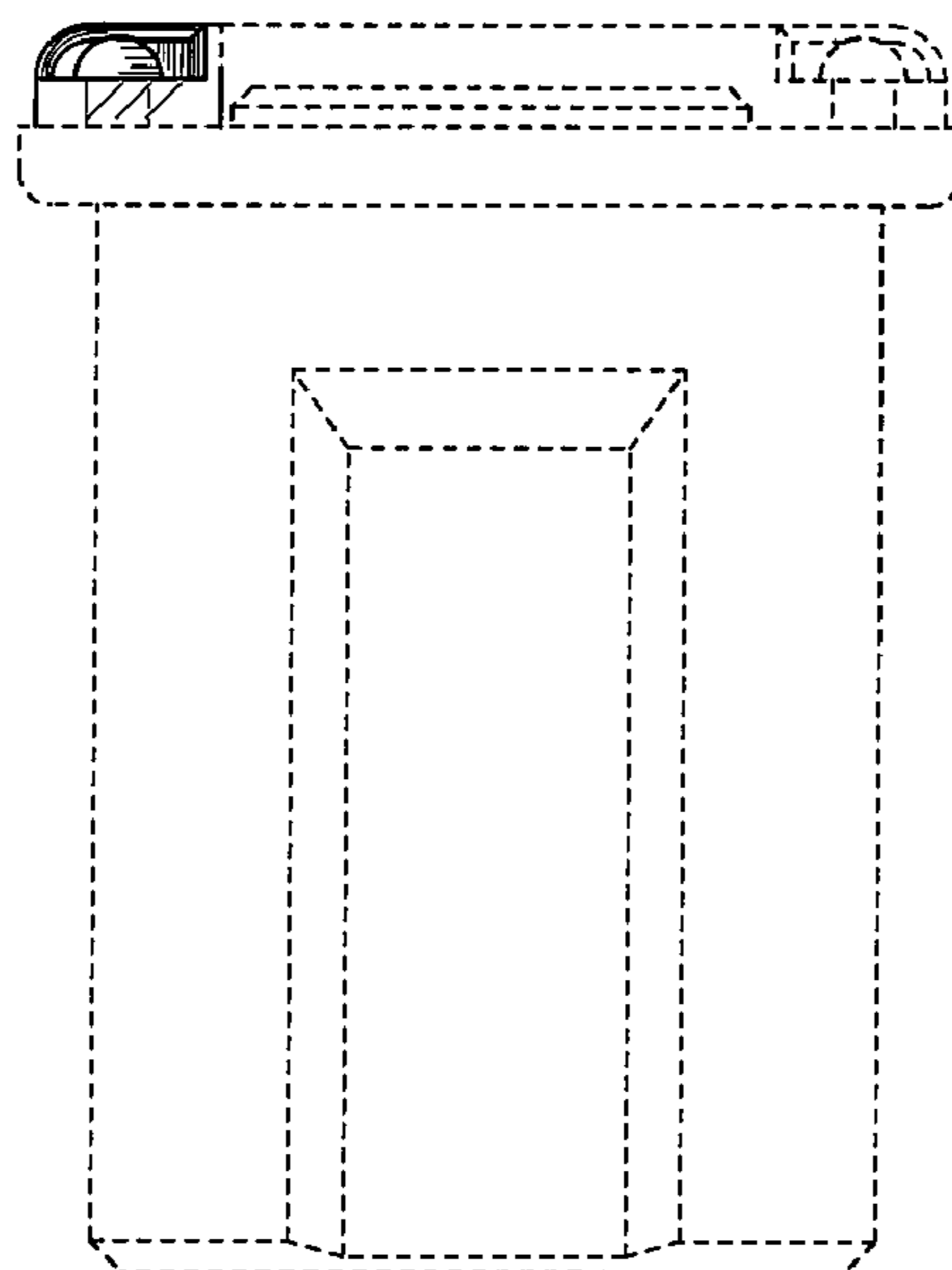


FIG. 5

