



US00D567765S

(12) **United States Design Patent** (10) **Patent No.:** **US D567,765 S**  
**Ohta** (45) **Date of Patent:** **\*\* Apr. 29, 2008**

(54) **FUSE** 5,346,411 A 9/1994 Nikkinen  
D368,072 S \* 3/1996 Hanazaki et al. .... D13/161  
(75) Inventor: **Manabu Ohta**, Ogaki (JP) 5,509,565 A \* 4/1996 Hoffman ..... 220/378  
D372,223 S 7/1996 Hanazaki et al.  
(73) Assignee: **Pacific Engineering Corp.**, Gifu-ken (JP) D373,570 S 9/1996 Kudo et al.  
D375,940 S 11/1996 Shimizu et al.  
(\*\*) Term: **14 Years** 5,581,225 A \* 12/1996 Oh et al. .... 337/295  
5,739,741 A \* 4/1998 Hanazaki et al. .... 337/290

(21) Appl. No.: **29/281,465**

(Continued)

(22) Filed: **Jun. 24, 2007**

FOREIGN PATENT DOCUMENTS

**Related U.S. Application Data**

JP 787741 2/1990

(62) Division of application No. 29/230,091, filed on May 17, 2005.

(Continued)

(30) **Foreign Application Priority Data**

*Primary Examiner*—Selina Sikder  
*Assistant Examiner*—Thomas J Johannes  
(74) *Attorney, Agent, or Firm*—Synnestvedt & Lechner LLP

Nov. 30, 2004 (JP) ..... 2004-036535  
Nov. 30, 2004 (JP) ..... 2004-036536  
Nov. 30, 2004 (JP) ..... 2004-036537

(57) **CLAIM**

(51) **LOC (8) Cl.** ..... **13-03**  
(52) **U.S. Cl.** ..... **D13/161; D13/177**  
(58) **Field of Classification Search** ..... D13/160,  
D13/161, 173, 177, 184, 199; 337/186, 262,  
337/290, 295, 404, 201, 231, 279, 414;  
439/620.26–620.29, 621, 622; 29/623; 174/564;  
220/378; 360/97.01  
See application file for complete search history.

The ornamental design for a fuse, as shown and described.

**DESCRIPTION**

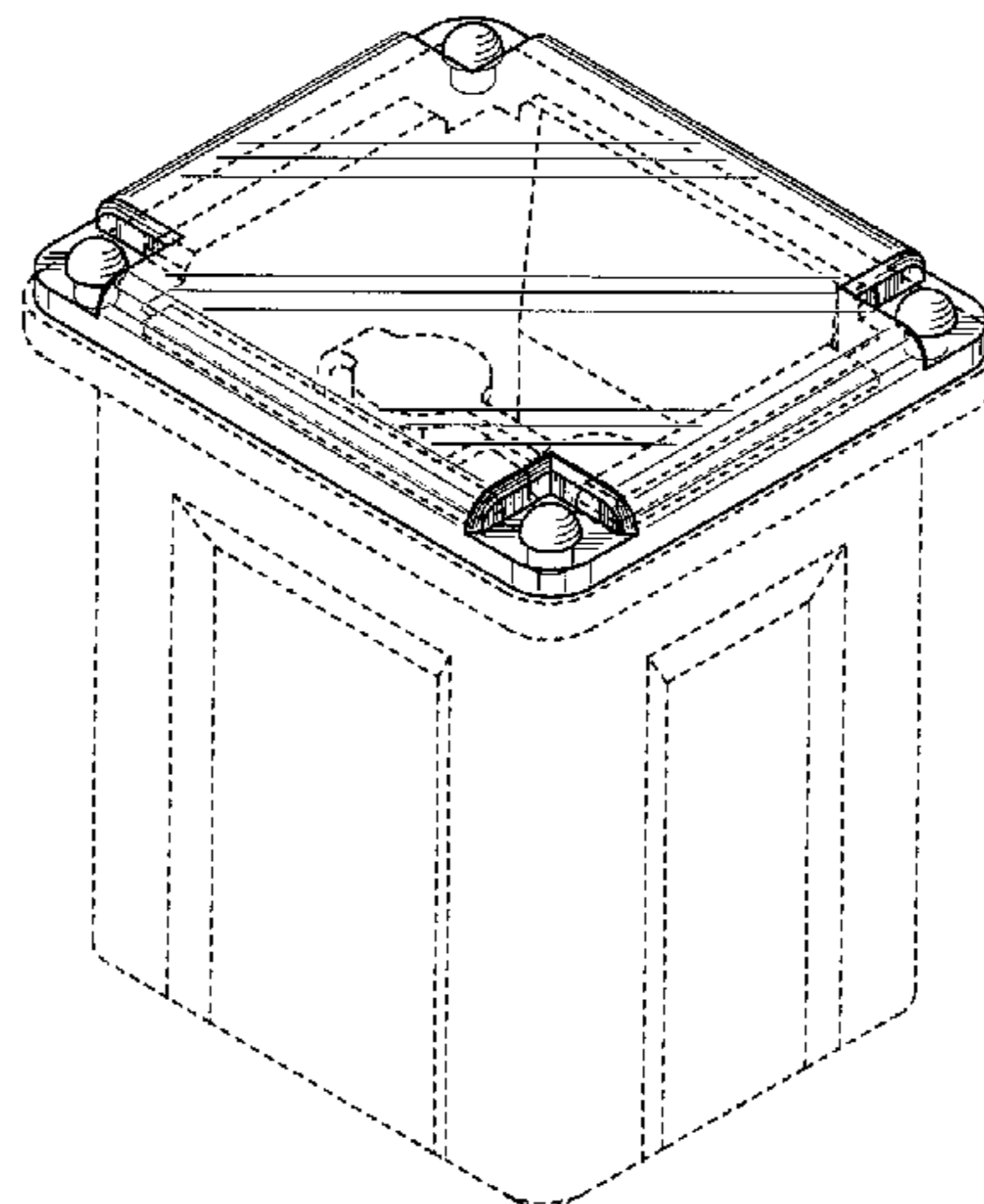
(56) **References Cited**

FIG. 1 is a perspective view of a fuse showing my new design;  
FIG. 2 is a front view thereof, the rear view being an identical image thereto;  
FIG. 3 is a top plan view thereof;  
FIG. 4 is a bottom plan view thereof;  
FIG. 5 is a right side elevational view thereof, the left side elevational view being an identical image thereto;  
FIG. 6 is a cross-sectional view taken along line 6—6 of FIG. 3; and,  
FIG. 7 is a cross-sectional view taken along line 7—7 of FIG. 3.  
The broken lines shown are for illustrative purposes only and form no part of the claimed design.

U.S. PATENT DOCUMENTS

4,511,875 A \* 4/1985 Arikawa ..... 337/201  
4,544,907 A 10/1985 Takano  
4,599,596 A \* 7/1986 Arikawa et al. .... 337/201  
4,622,534 A 11/1986 Bowman  
4,672,352 A \* 6/1987 Takano ..... 337/264  
D317,906 S 7/1991 Winter et al.  
D318,270 S 7/1991 Tsuji et al.  
D318,855 S 8/1991 Tsuji et al.  
D333,812 S 3/1993 Krasser  
D340,914 S 11/1993 Krasser  
5,317,462 A \* 5/1994 Kakizaki et al. .... 360/97.02

**1 Claim, 4 Drawing Sheets**



# US D567,765 S

Page 2

## U.S. PATENT DOCUMENTS

D402,275 S \* 12/1998 Korhonen ..... D13/184  
D407,692 S 4/1999 Lin  
D408,367 S 4/1999 Heinl  
5,977,859 A 11/1999 Kawamura et al.  
6,030,257 A \* 2/2000 Furuya ..... 439/620.26  
6,064,293 A 5/2000 Jungst et al.  
D442,922 S \* 5/2001 Sato ..... D13/177  
D451,889 S 12/2001 Ohashi et al.  
D452,851 S 1/2002 Ohashi et al.  
D453,741 S 2/2002 Onoda et al.  
D454,842 S 3/2002 Ohashi et al.  
D461,169 S 8/2002 Onoda et al.  
D461,781 S 8/2002 Fukumori et al.

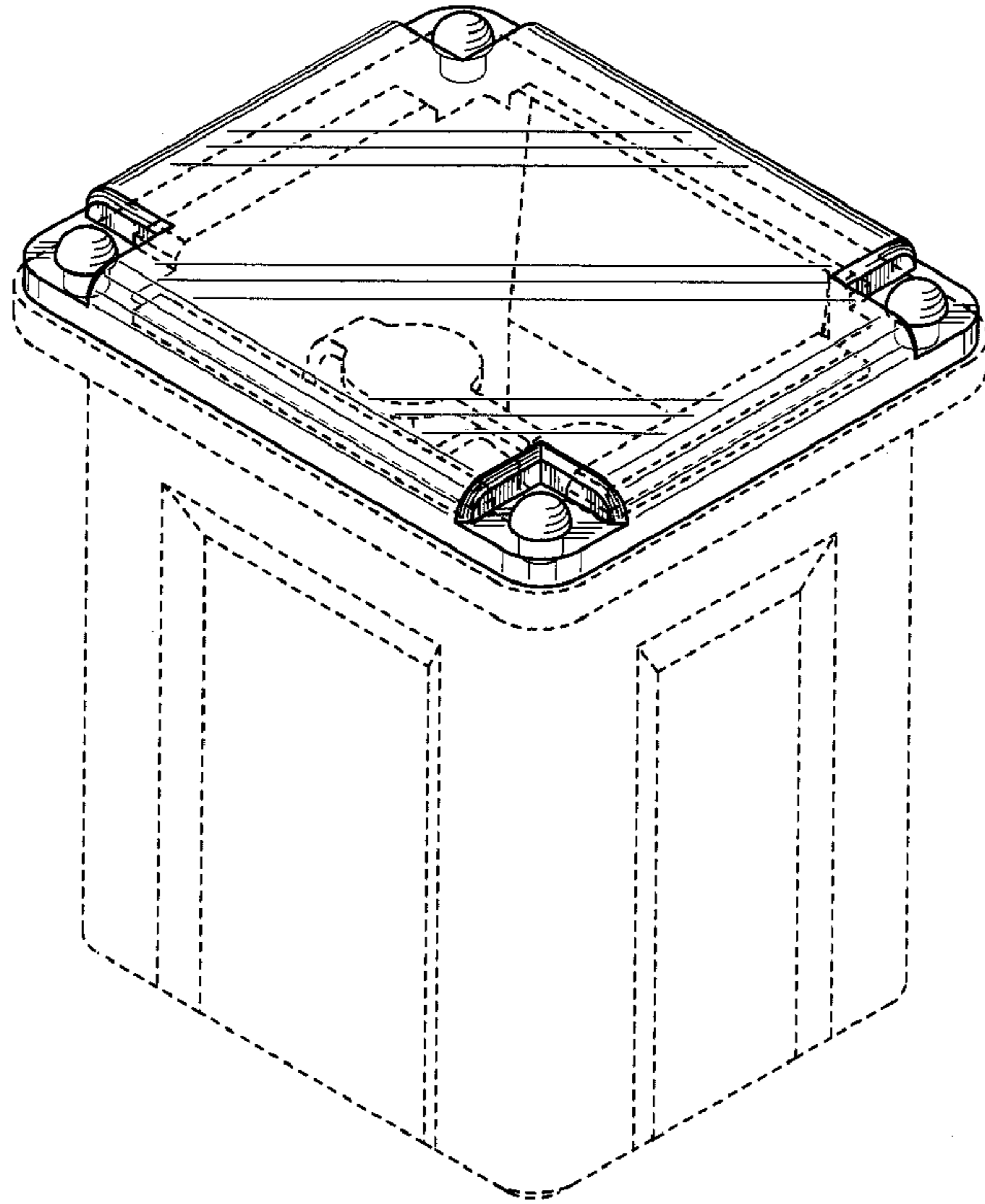
D473,223 S \* 4/2003 Pullman ..... D14/240  
6,558,198 B2 5/2003 Kobayashi et al.  
6,567,237 B2 \* 5/2003 Iwahara et al. .... 360/97.02  
D518,792 S 4/2006 Ohta  
D546,274 S \* 7/2007 Yonehara et al. .... D13/101  
2003/0222752 A1 \* 12/2003 Ohashi et al. .... 337/186  
2004/0165308 A1 \* 8/2004 Gunderson et al. .... 360/97.02  
2005/0206492 A1 9/2005 Chao

## FOREIGN PATENT DOCUMENTS

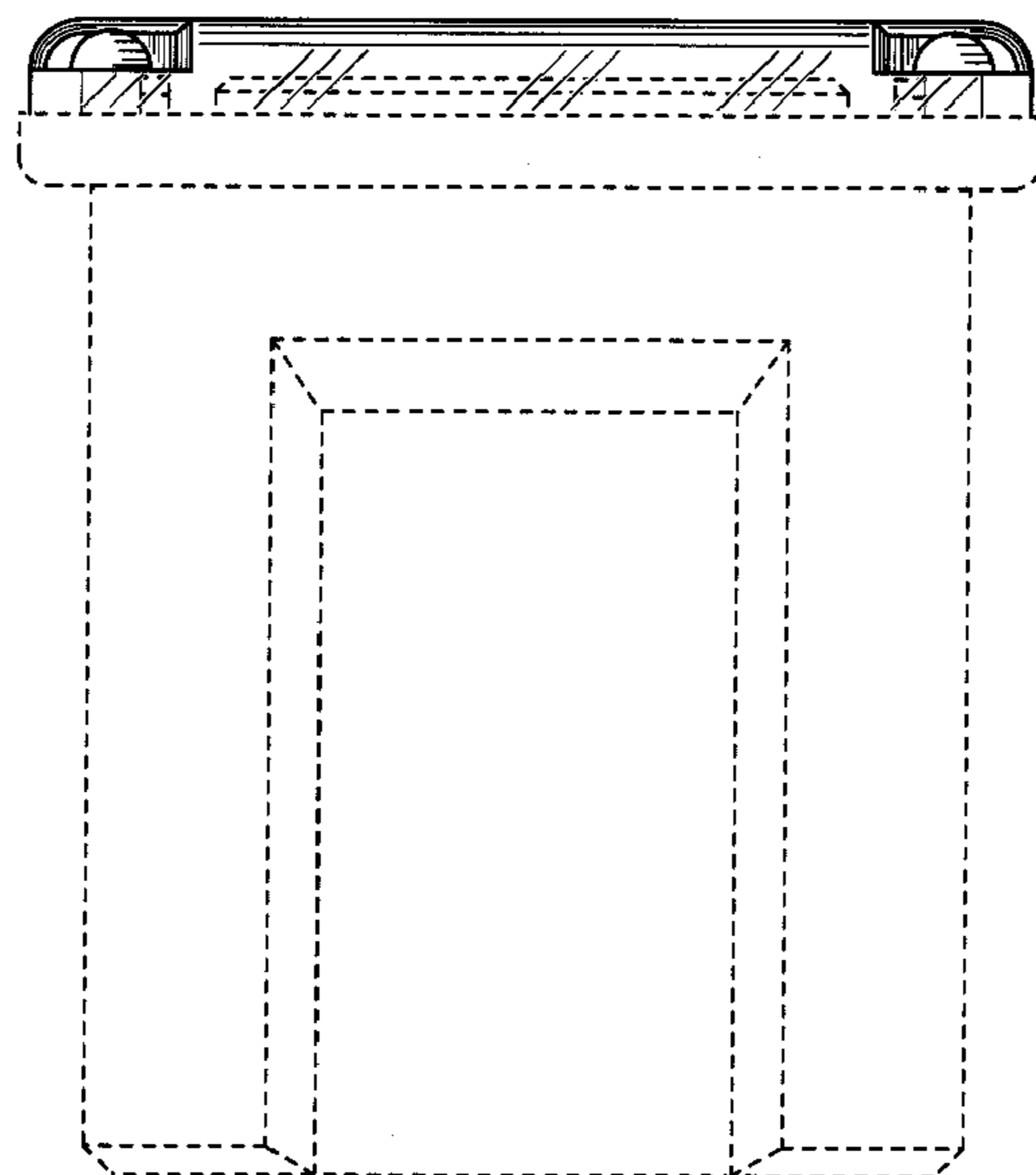
JP 1131402 11/2001  
JP 1176997 4/2003  
JP 1176998 4/2003

\* cited by examiner

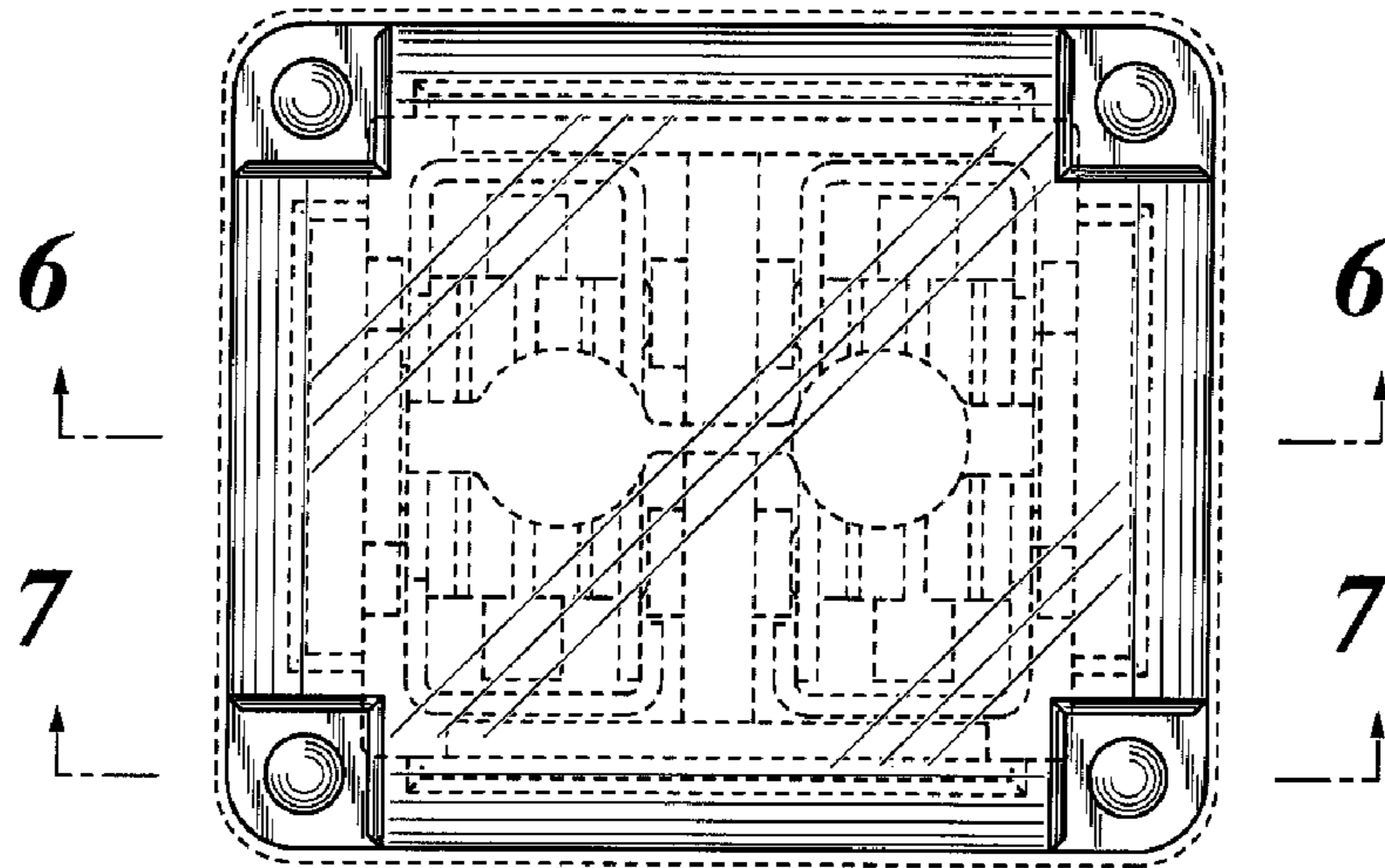
**FIG. 1**



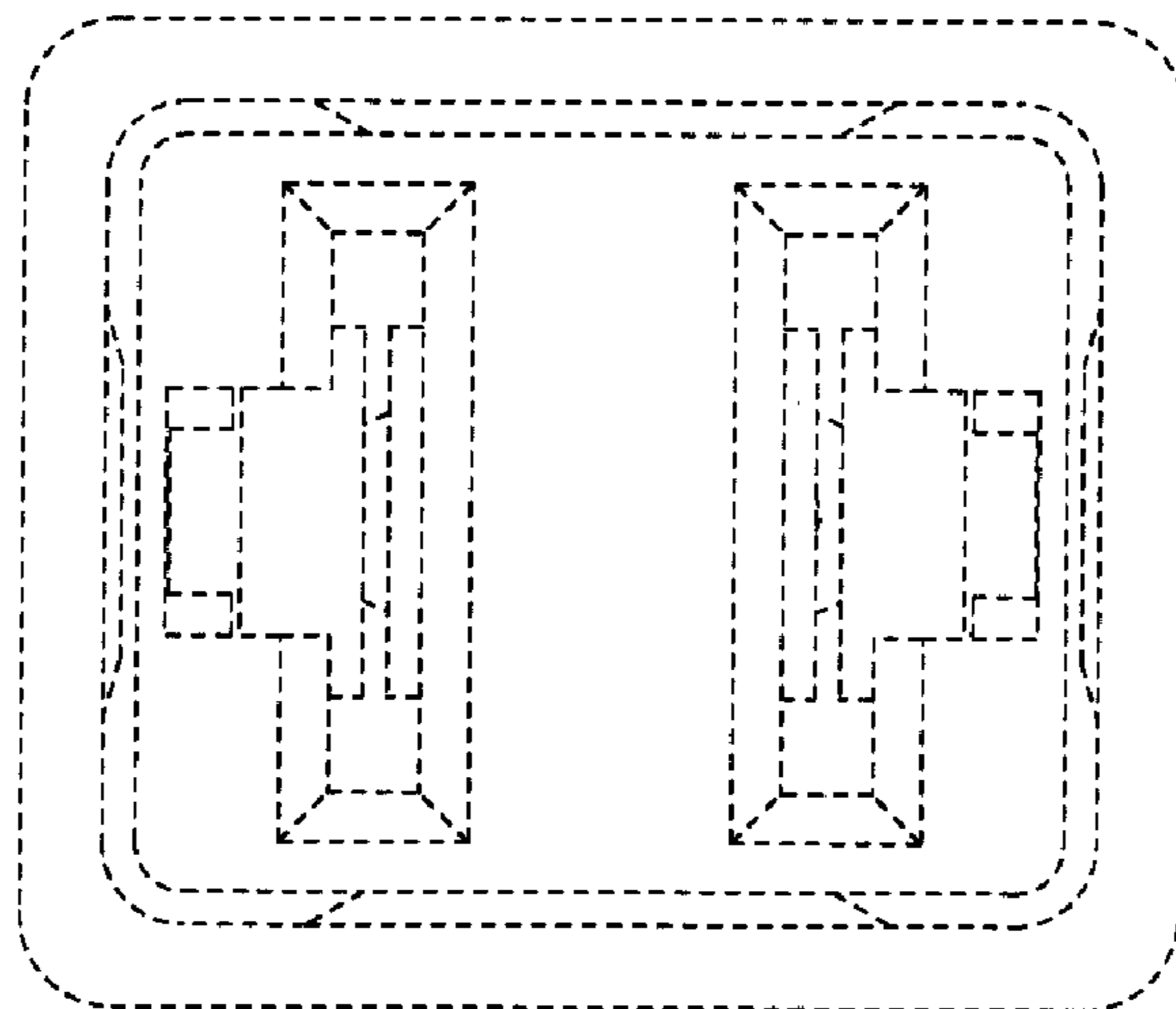
**FIG. 2**



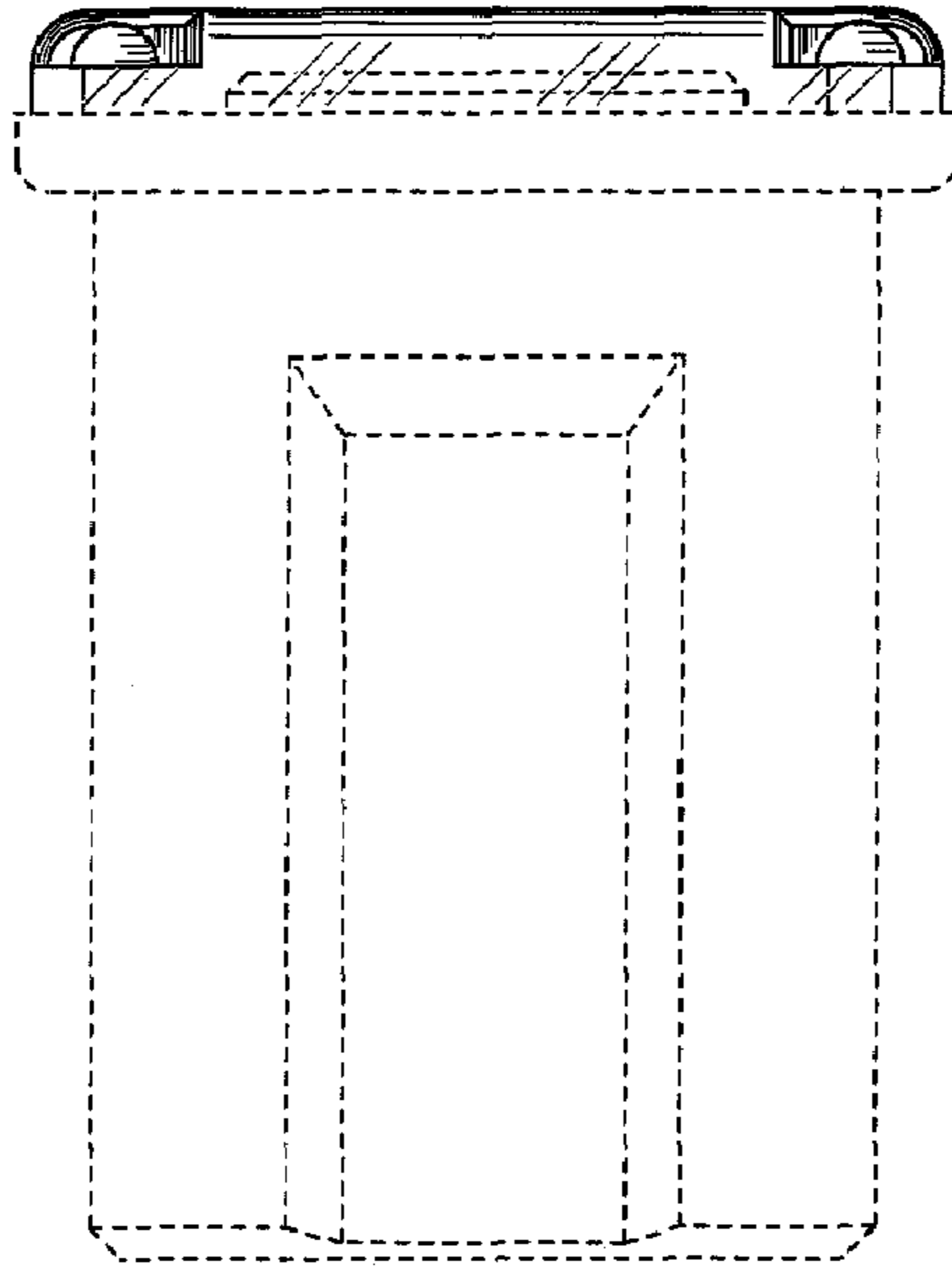
**FIG. 3**



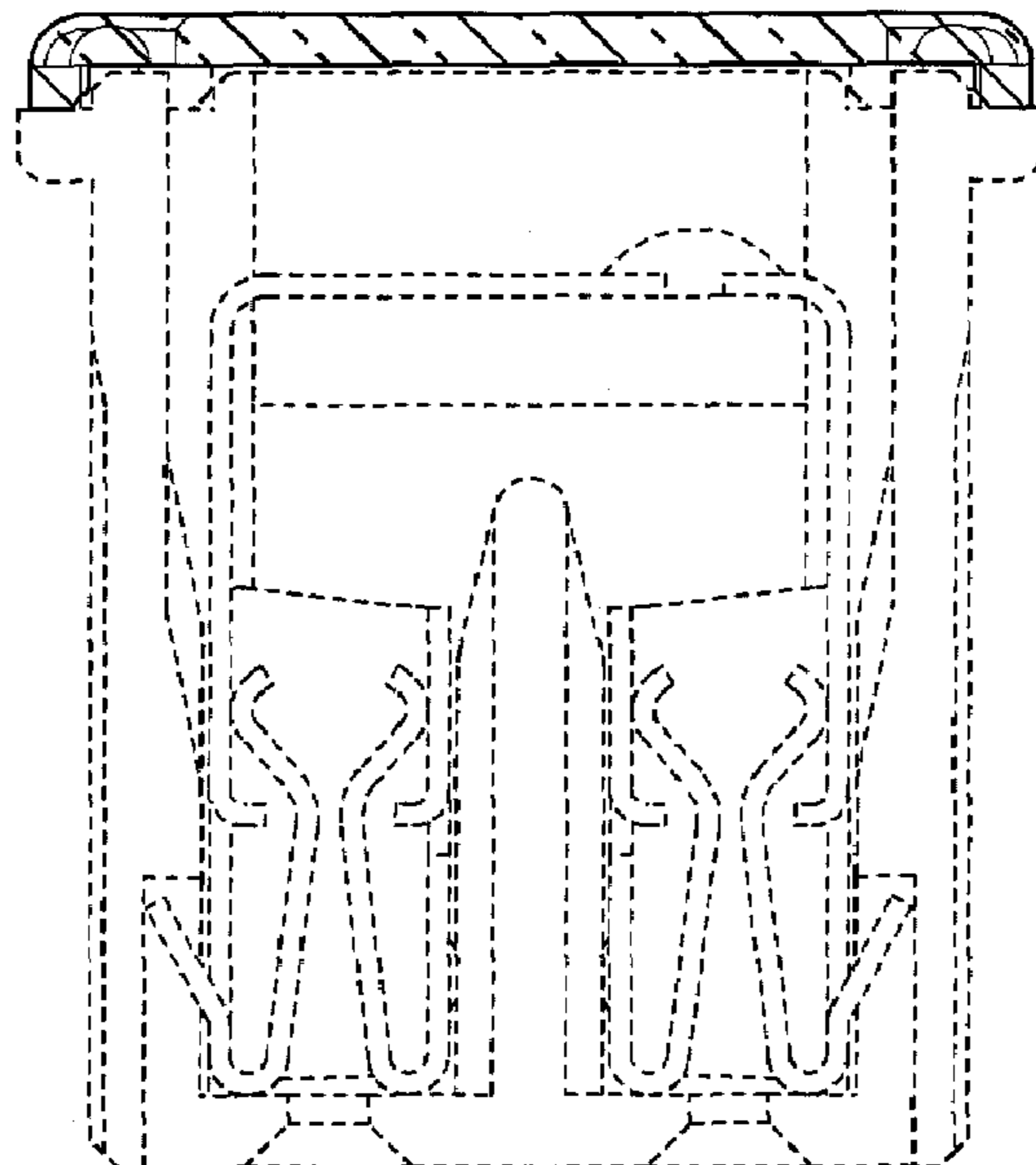
**FIG. 4**



**FIG. 5**



**FIG. 6**



***FIG. 7***

