

US00D567763S

(12) **United States Design Patent**
Yasumoto et al.

(10) **Patent No.:** **US D567,763 S**
(45) **Date of Patent:** **** Apr. 29, 2008**

(54) **FUEL CELL**

JP 2000-48849 A 2/2000

(75) Inventors: **Eiichi Yasumoto**, Kyoto (JP); **Hiroki Kusakabe**, Osaka (JP); **Hideo Ohara**, Osaka (JP)

* cited by examiner

(73) Assignee: **Matsushita Electric Industrial Co., Ltd.**, Kadoma-shi (JP)

Primary Examiner—Prabhakar Deshmukh
Assistant Examiner—Derrick Holland

(**) Term: **14 Years**

(74) *Attorney, Agent, or Firm*—Christensen O'Connor Johnson Kindness PLLC

(21) Appl. No.: **29/217,515**

(57) **CLAIM**

(22) Filed: **Nov. 17, 2004**

The ornamental design for a fuel cell, as shown and described.

(30) **Foreign Application Priority Data**

Jul. 1, 2004 (JP) 2004-019832
Jul. 1, 2004 (JP) 2004-019833
Jul. 1, 2004 (JP) 2004-019834

DESCRIPTION

(51) **LOC (8) Cl.** **13-01**

(52) **U.S. Cl.** **D13/122**

(58) **Field of Classification Search** D13/118,
D13/101, 103, 199; D7/408, 409; D25/102,
D25/152, 113, 118; 204/242, 254–257; 429/19,
429/34–39, 99, 100
See application file for complete search history.

FIG. 1 is a perspective view of top, front and right side of a fuel cell showing our new design;

FIG. 2 is a front view thereof;

FIG. 3 is a rear view thereof;

FIG. 4 is a left side view thereof;

FIG. 5 is a right side view thereof;

FIG. 6 is a top plan view thereof, the bottom view is identical thereto;

(56) **References Cited**

U.S. PATENT DOCUMENTS

4,276,355 A * 6/1981 Kothmann et al. 429/26
4,339,322 A * 7/1982 Balko et al. 204/255
4,480,017 A * 10/1984 Takeuchi et al. 429/38
4,895,774 A * 1/1990 Ohzu et al. 429/35
D312,125 S * 11/1990 Epner et al. D23/386
5,105,725 A * 4/1992 Haglund 99/446
D364,995 S * 12/1995 Koziol D7/409
D374,727 S * 10/1996 Emanuele et al. D25/152
5,563,003 A * 10/1996 Suzuki et al. 429/14
D431,524 S 10/2000 Sugita et al.
D432,495 S 10/2000 Sugita et al.
2003/0022052 A1* 1/2003 Karl 429/34

FIG. 7 is a perspective view of top, front and right side of a fuel cell showing our new design of second embodiment;

FIG. 8 is a front view thereof;

FIG. 9 is a rear view thereof;

FIG. 10 is a left side view thereof;

FIG. 11 is a right side view thereof; and,

FIG. 12 is a top plan view thereof; the bottom view is identical thereto.

The portions of the article in broken lines are shown for illustrative purposes only and form no part of the claimed design.

FOREIGN PATENT DOCUMENTS

JP 9-134734 A 5/1997

1 Claim, 12 Drawing Sheets

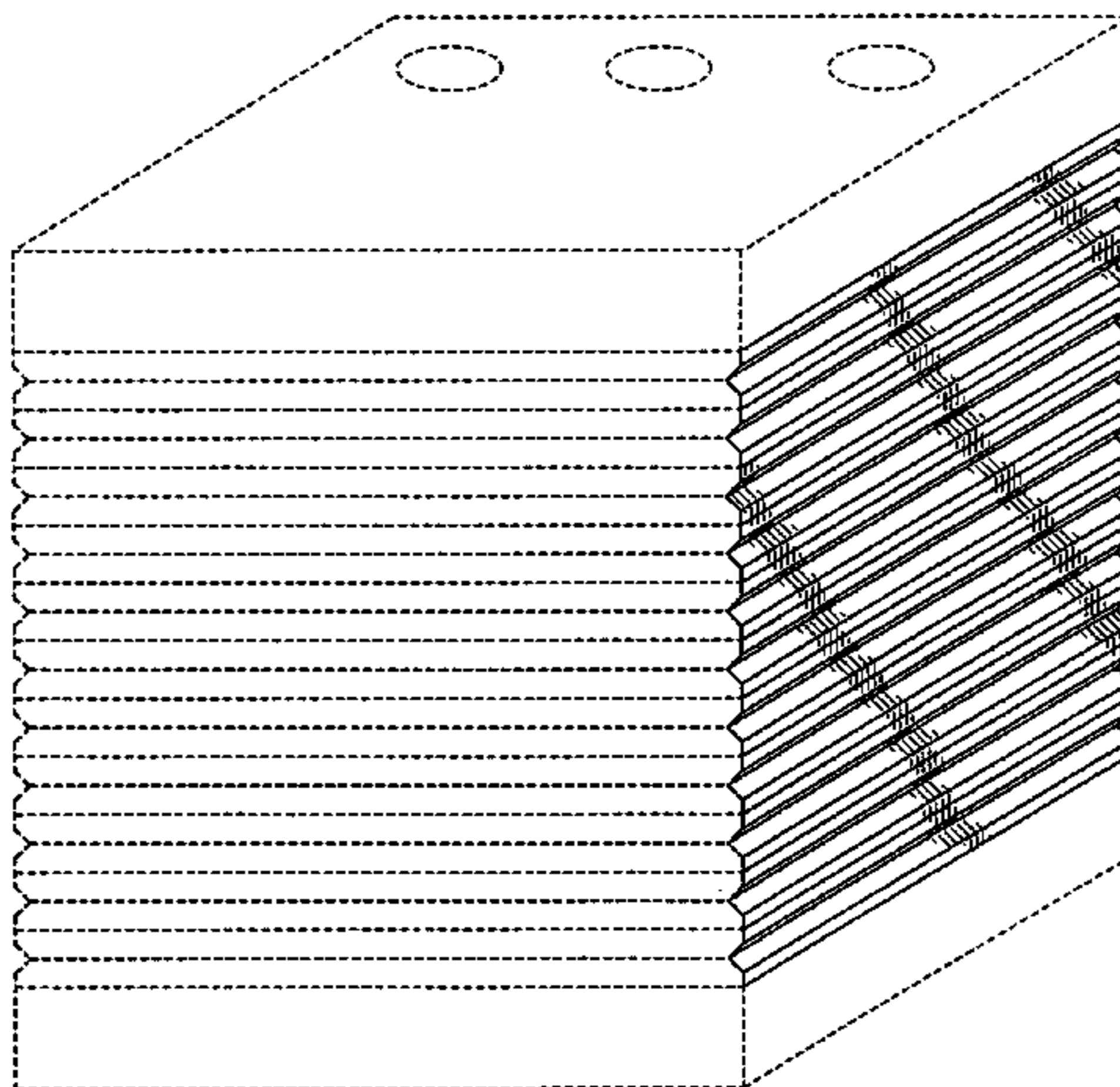


FIG. 1

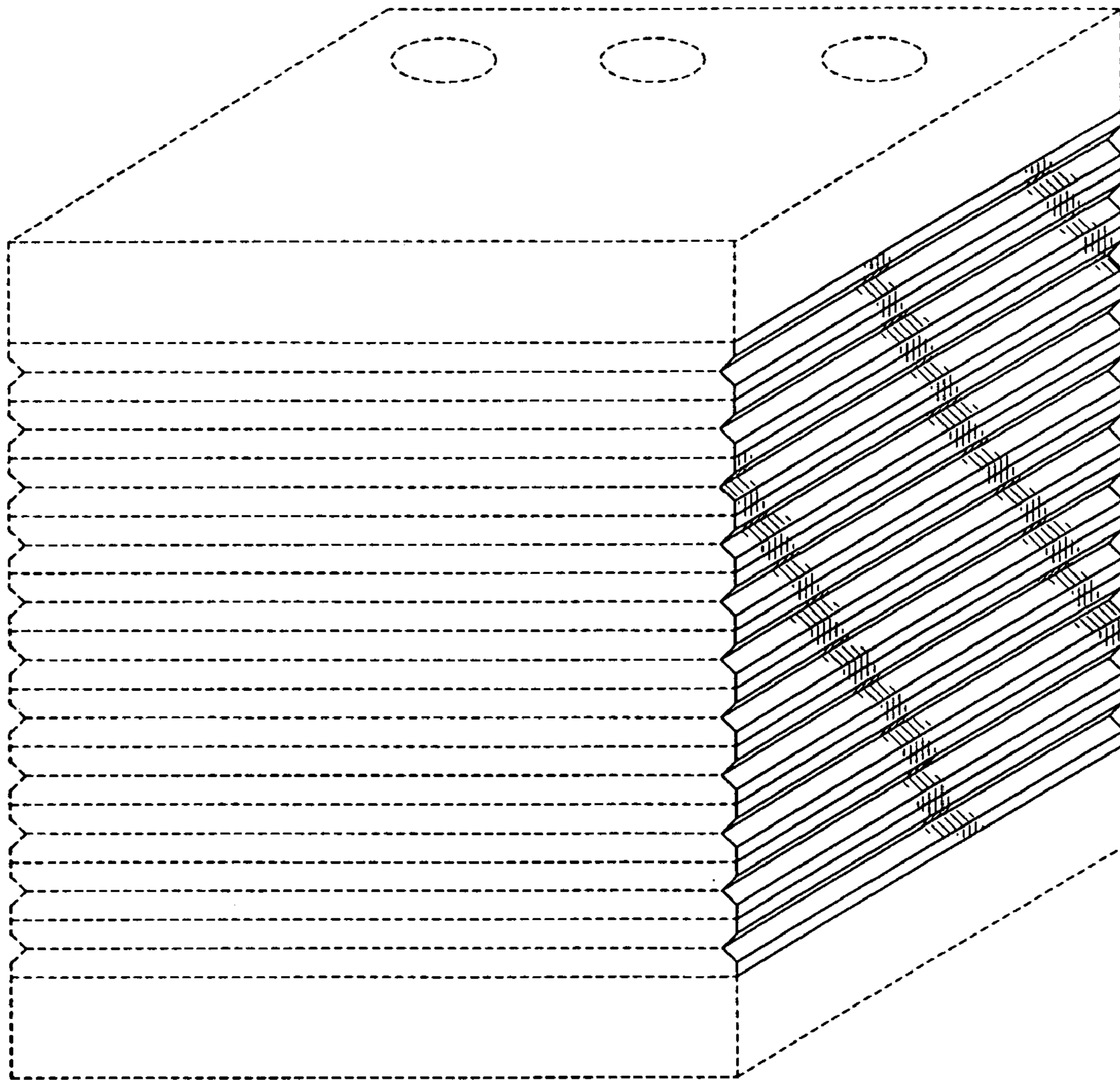


FIG. 2

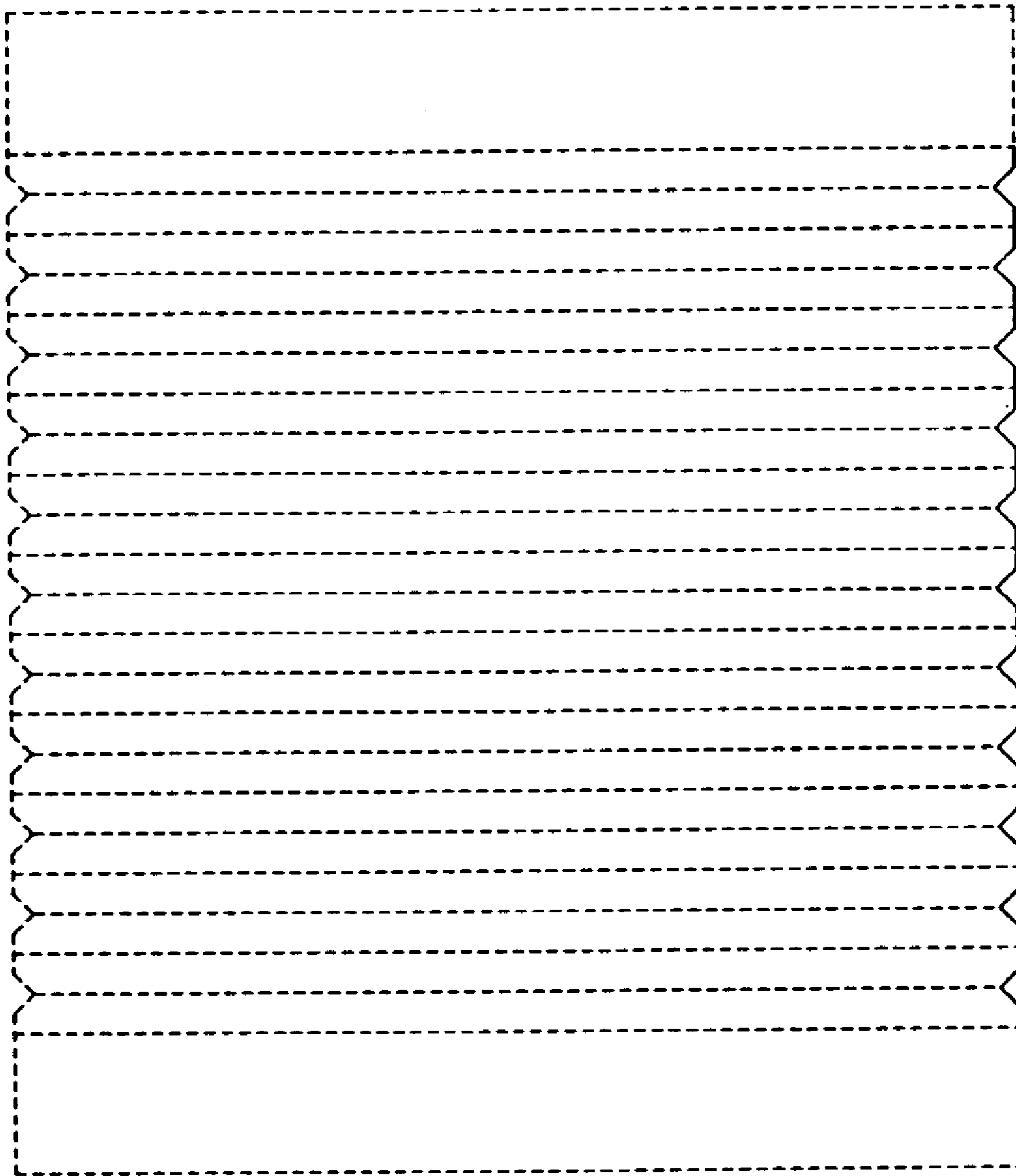


FIG. 3

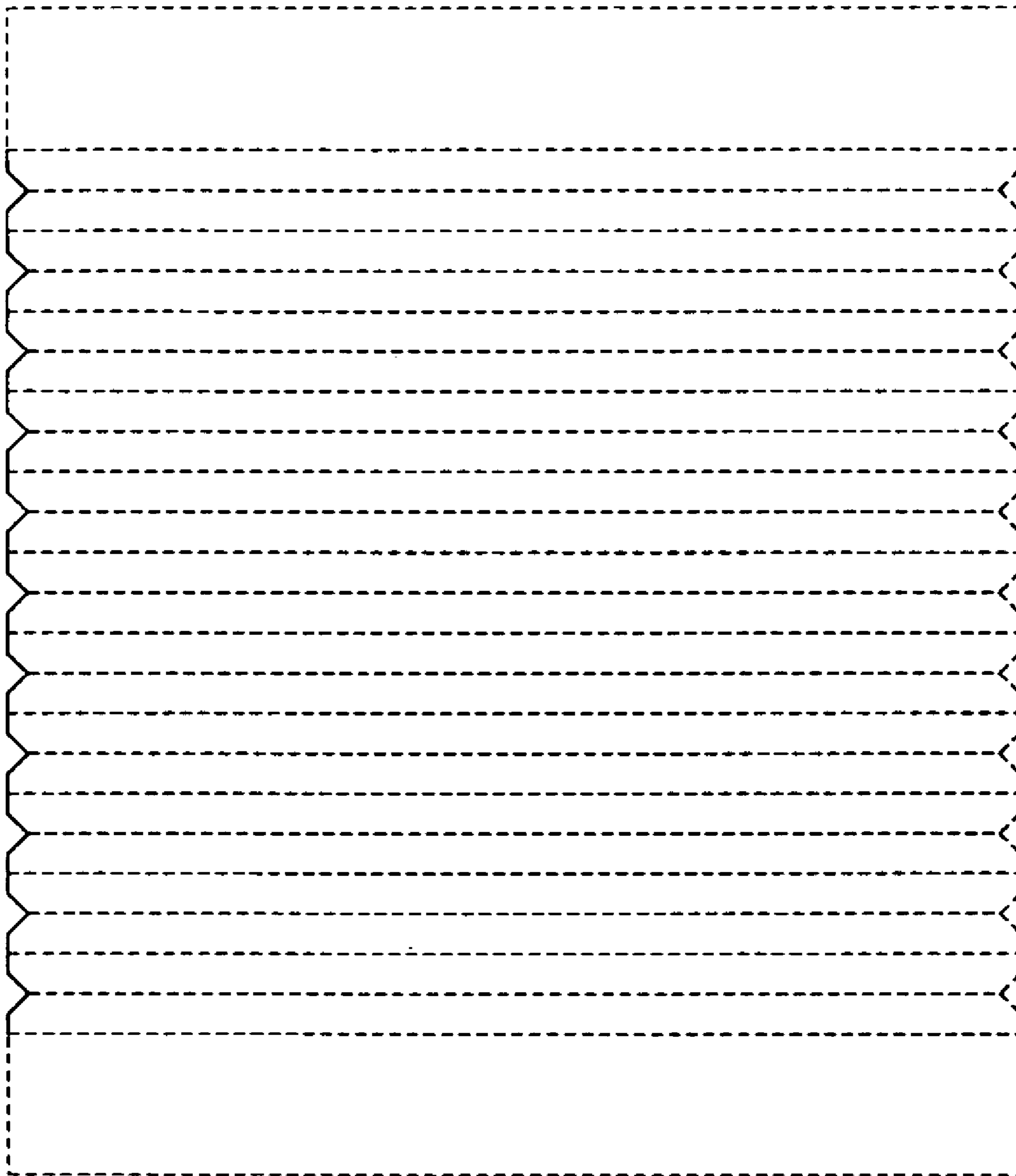


FIG. 4

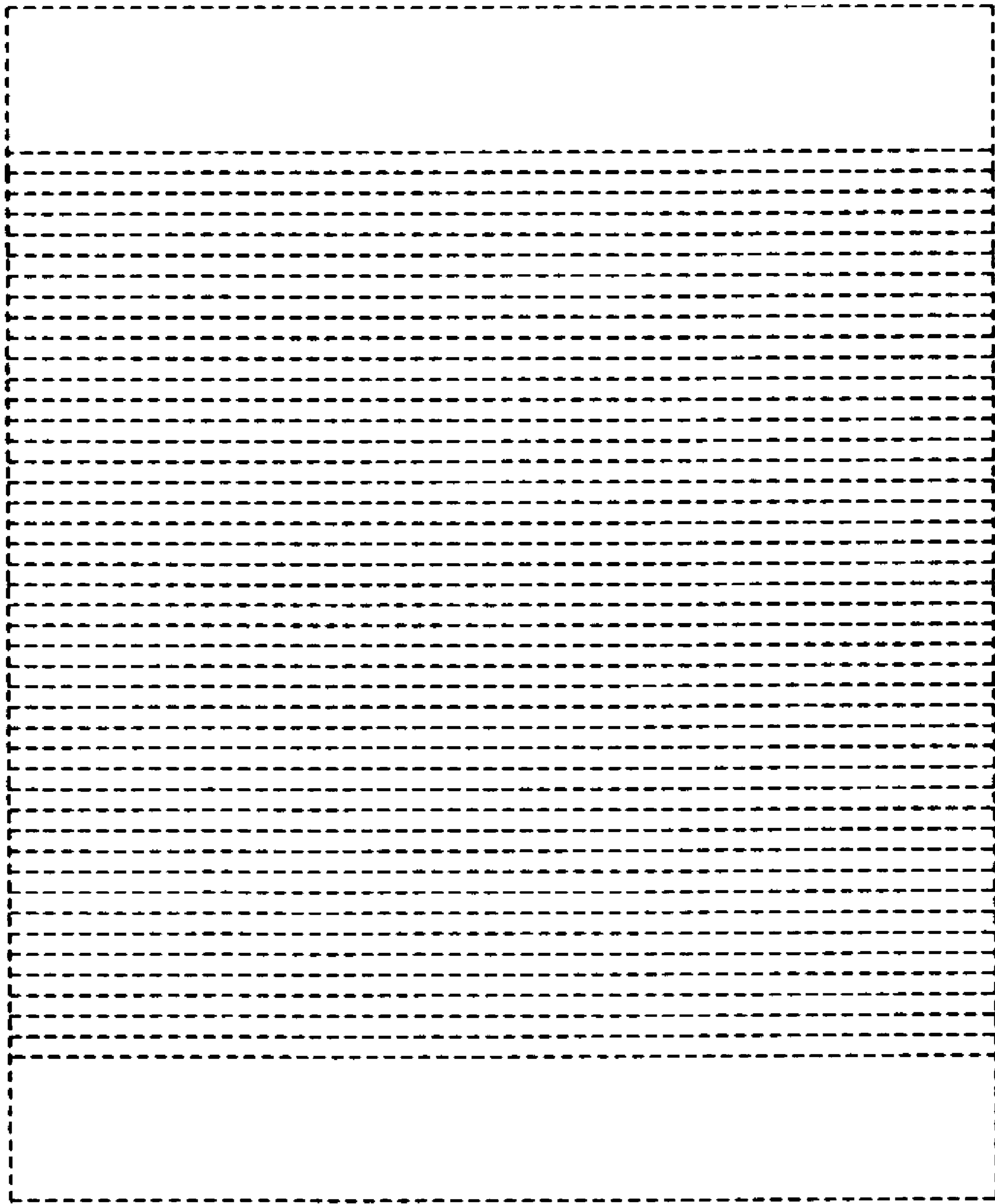


FIG. 5

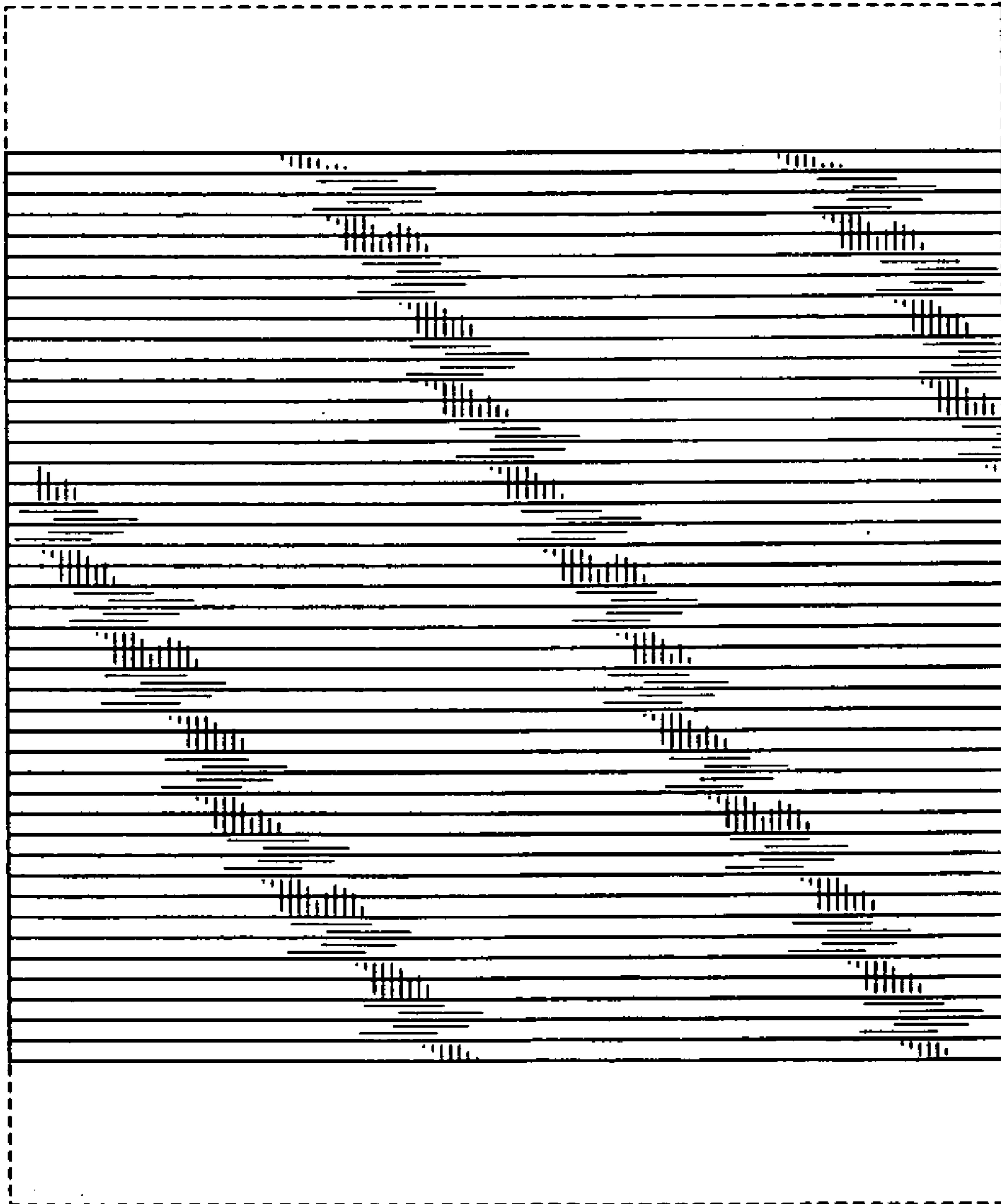


FIG. 6

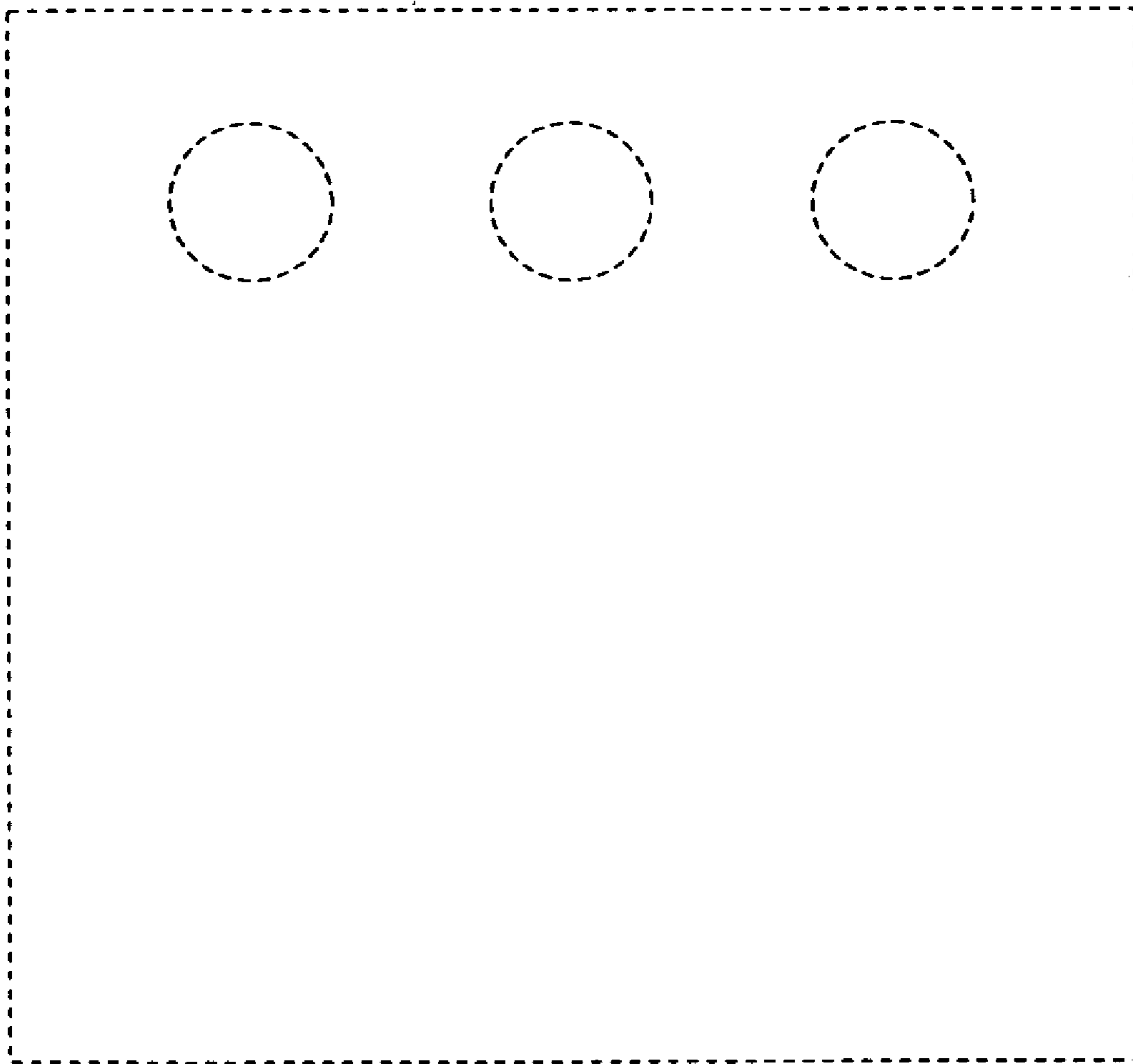


FIG. 7

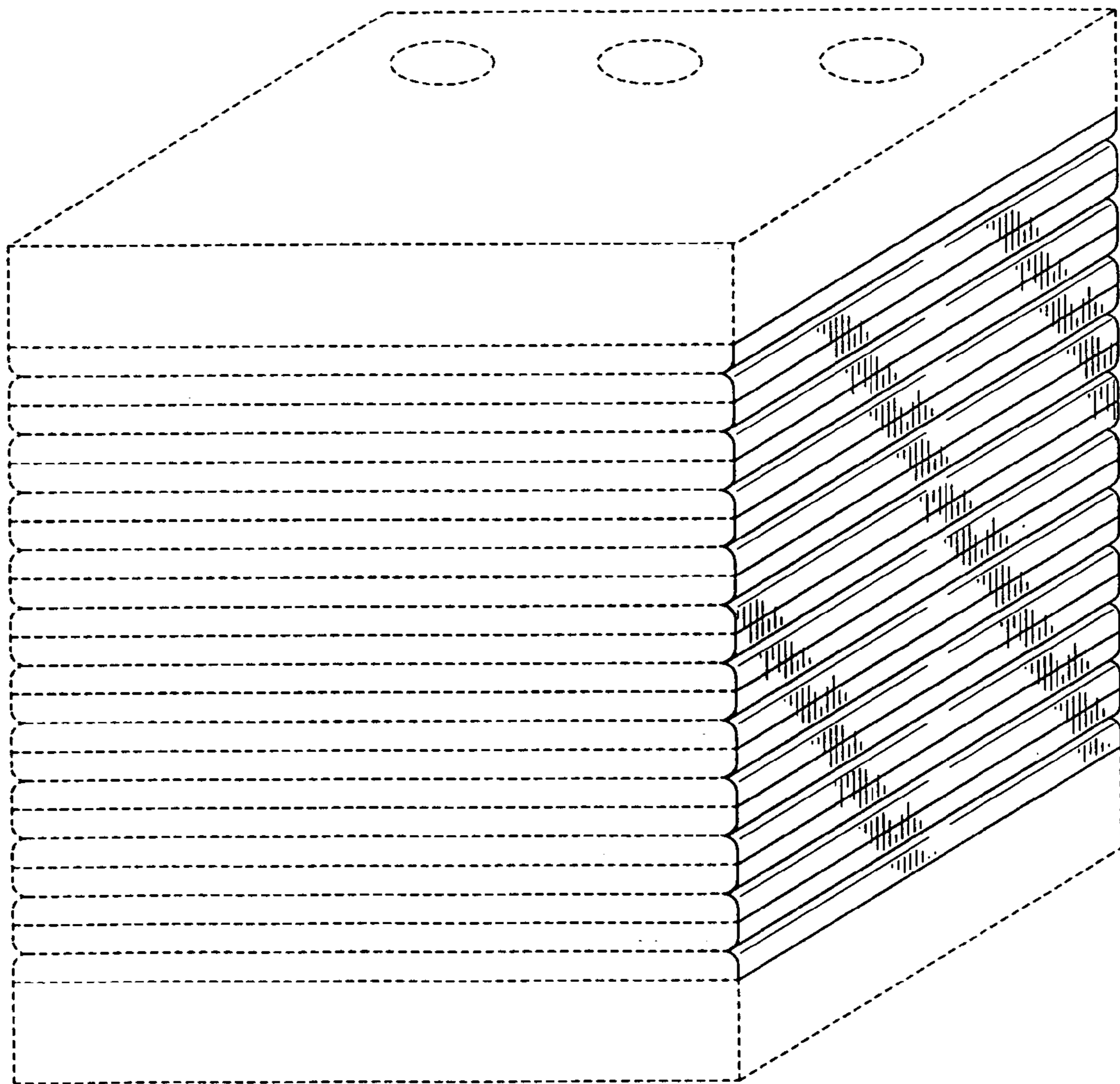


FIG. 8

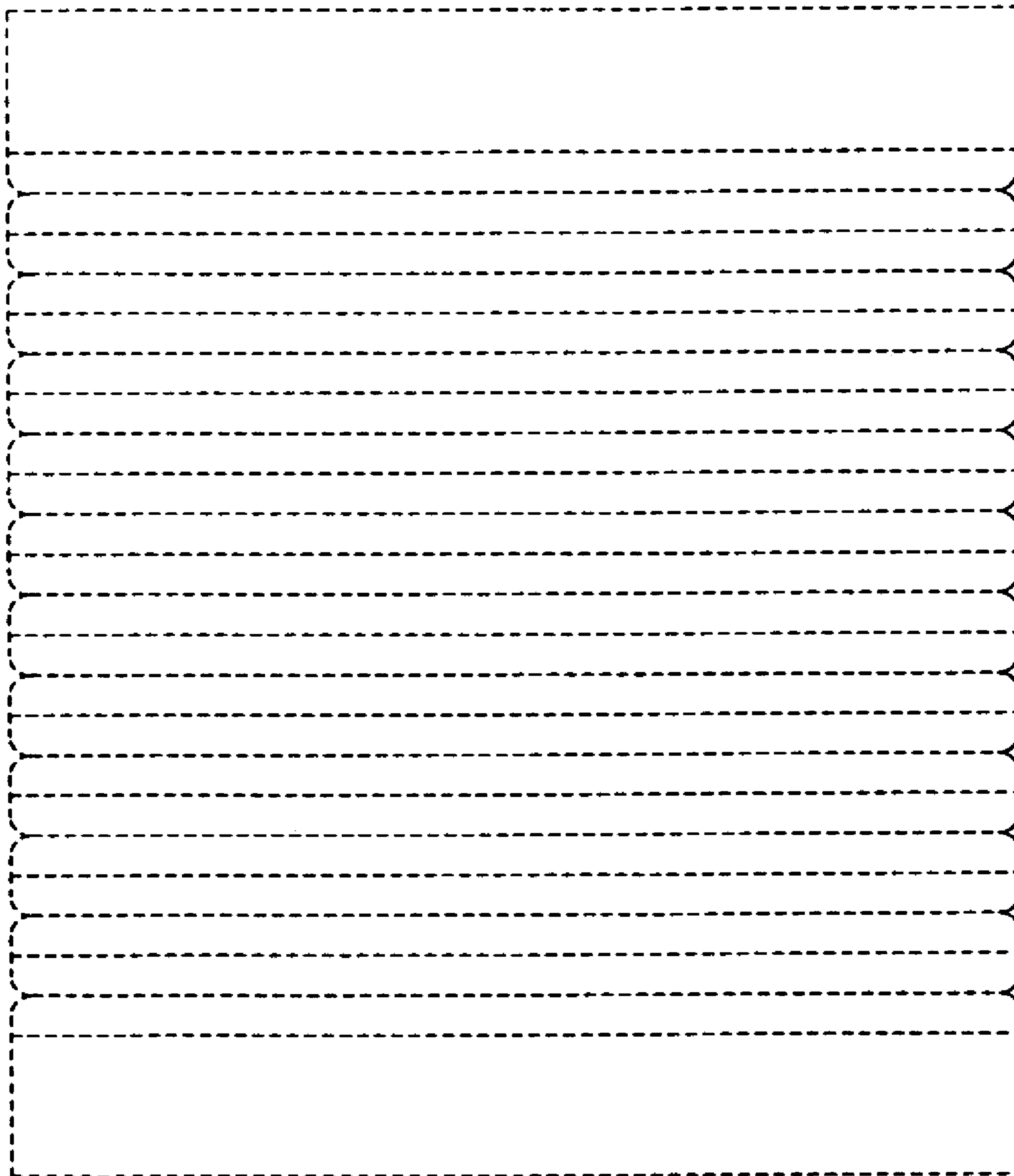


FIG. 9

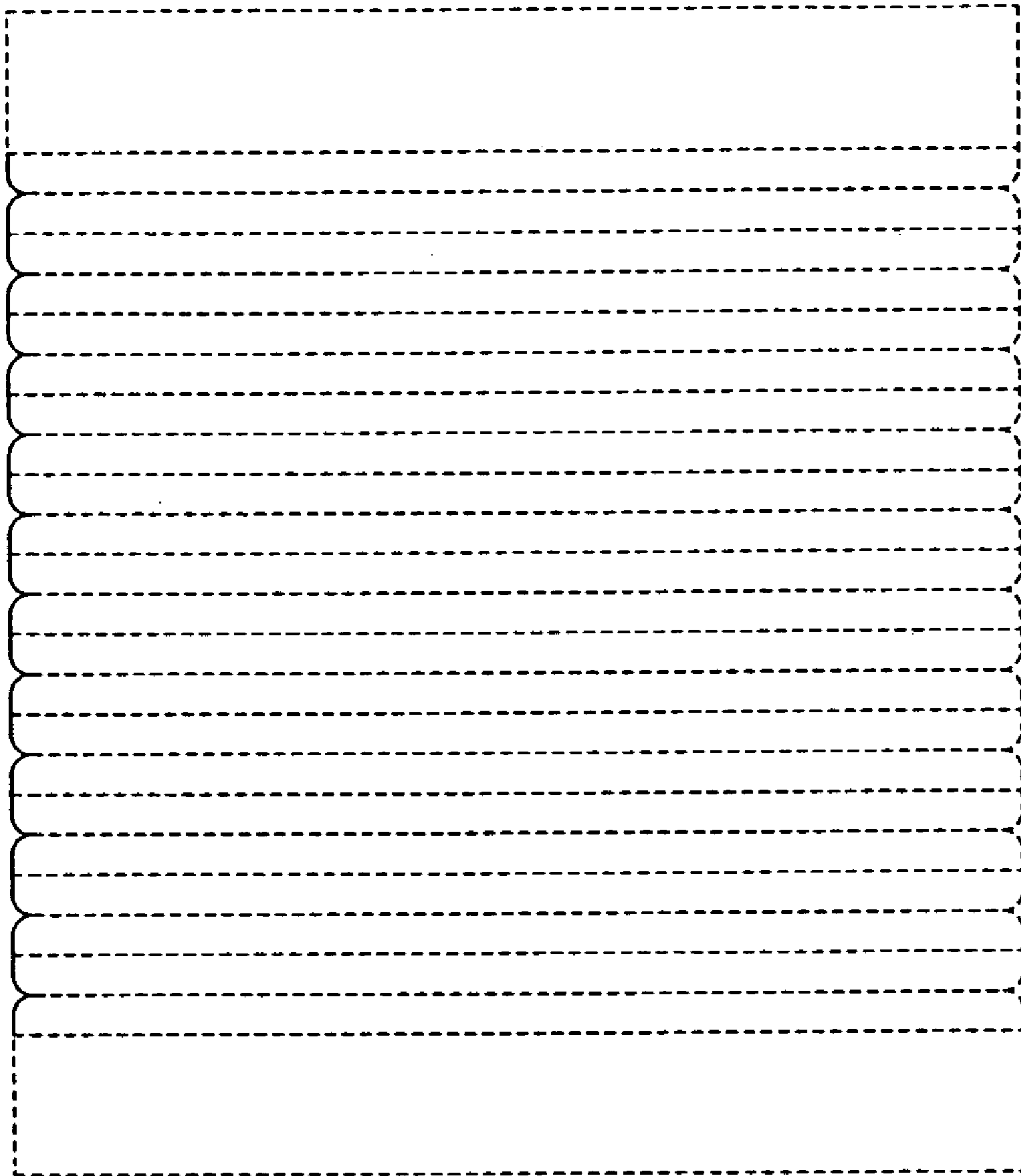


FIG. 10

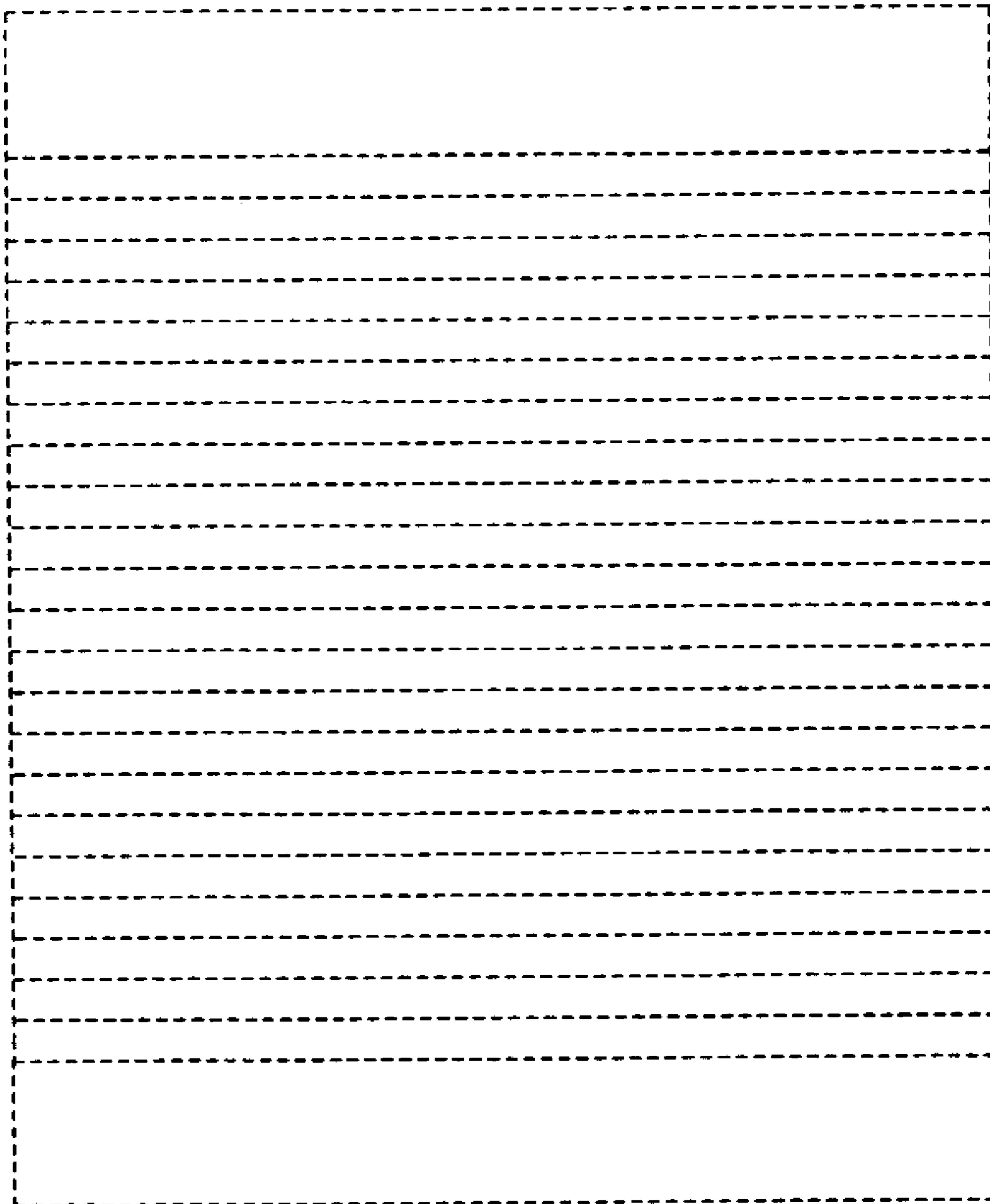


FIG. 11

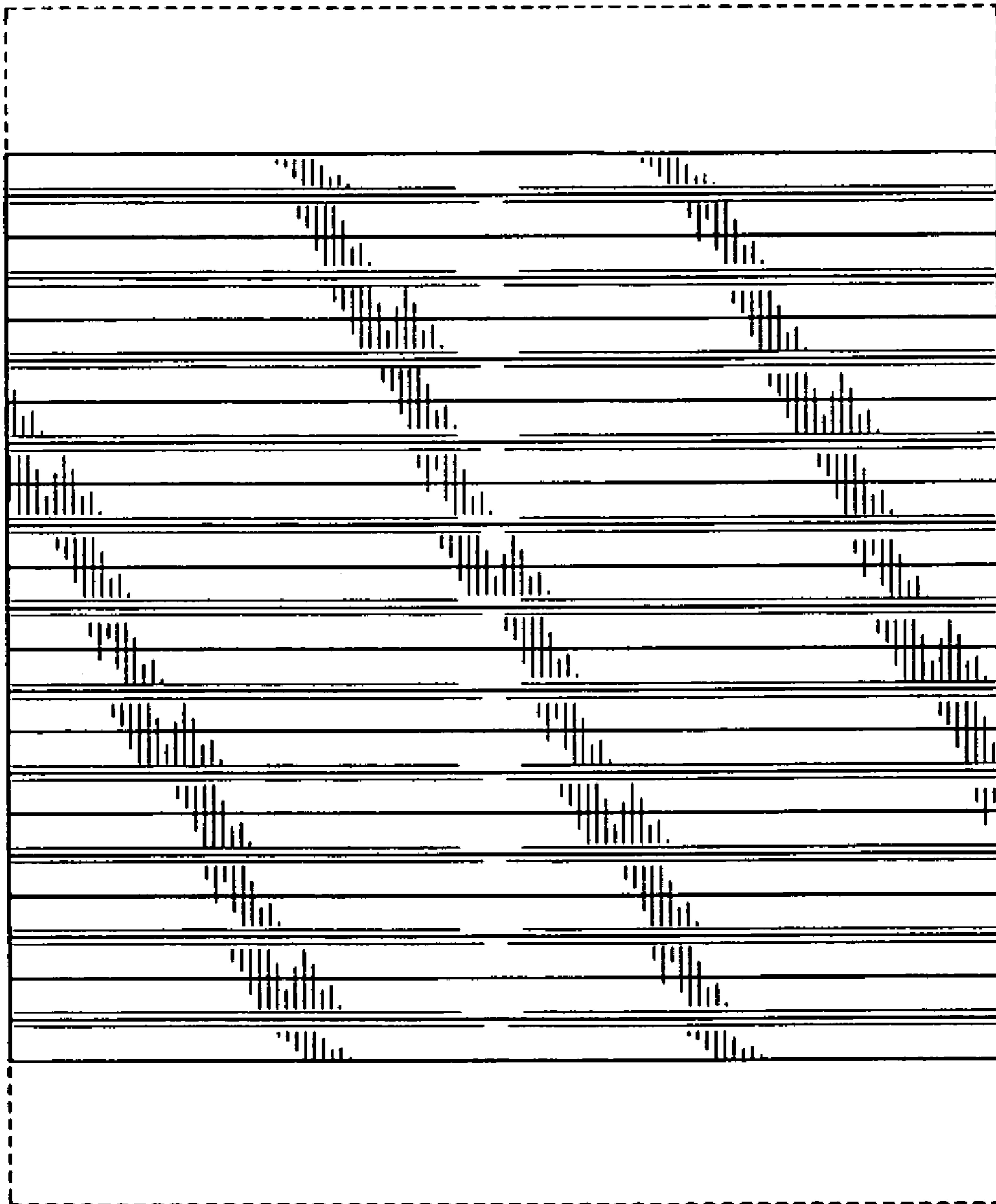


FIG. 12

