

US00D567753S

(12) **United States Design Patent**
Landerholm et al.

(10) **Patent No.:** **US D567,753 S**
(45) **Date of Patent:** **** Apr. 29, 2008**

(54) **ELECTRICAL DRIVE UNIT FOR
ADJUSTABLE BEDS AND SLATTED BEDS**

(75) Inventors: **John Landerholm**, Århus C (DK);
Peter Boldsen Lund, Århus C (DK)

(73) Assignee: **Linak A/S**, Nordborg (DK)

(**) Term: **14 Years**

(21) Appl. No.: **29/274,649**

(22) Filed: **May 11, 2007**

(30) **Foreign Application Priority Data**

Nov. 14, 2006 (DK) DA 2006 00302

(51) **LOC (8) Cl.** **13-02**

(52) **U.S. Cl.** **D13/110; D13/166**

(58) **Field of Classification Search** D13/110,
D13/101, 112, 184, 199; D15/5, 143; 5/616,
5/60, 62; 160/6-9, 176.1 P, 330, 331, 343;
192/81 C, 843.81, 84 T; 74/324, 404, 337;
310/83, 90, 98

See application file for complete search history.

(56) **References Cited**

U.S. PATENT DOCUMENTS

D227,898 S *	7/1973	Burr et al.	D13/112
4,120,057 A *	10/1978	Neumann	5/616
D287,715 S *	1/1987	Pittman et al.	D13/112
5,075,911 A *	12/1991	Dewert	5/616
5,337,428 A *	8/1994	Krauska et al.	5/611
D358,824 S *	5/1995	Finkemeyer	D15/143
D387,598 S *	12/1997	Liu	D6/580
D457,493 S *	5/2002	Borges	D13/112
D514,146 S *	1/2006	Haneball	D15/143
D551,619 S *	9/2007	Schneider	D13/110
D553,079 S *	10/2007	Poulet et al.	D13/112
2002/0053109 A1 *	5/2002	Elliott	5/618
2005/0140224 A1 *	6/2005	Weigold et al.	310/90

* cited by examiner

Primary Examiner—Daniel Bui

Assistant Examiner—Thomas J Johannes

(74) *Attorney, Agent, or Firm*—Dykema Gossett PLLC

(57) **CLAIM**

The ornamental design for an electrical drive unit for adjustable beds and slatted beds, and shown and described.

DESCRIPTION

FIG. 1 is a top perspective view of an electrical drive unit for adjustable slatted beds, with the locking device for electric cable plugs removed, showing our new design;

FIG. 2 is a bottom rear perspective view thereof,

FIG. 3 is a top plan view thereof,

FIG. 4 is an inverted rear view thereof,

FIG. 5 is a bottom plan view thereof,

FIG. 6 is a front view thereof,

FIG. 7 is a left side view thereof, and

FIG. 8 is a right side view thereof,

FIG. 9 is a top perspective view thereof, with the locking device for electric cable plugs included;

FIG. 10 is a bottom rear perspective view thereof,

FIG. 11 is a top plan view thereof,

FIG. 12 is an inverted rear view thereof,

FIG. 13 is a bottom plan view thereof,

FIG. 14 is a front view thereof,

FIG. 15 is a left side view thereof, and

FIG. 16 is a right side view thereof,

FIG. 17 is a top perspective view thereof, with the locking device for electric cable plugs in an open position and the covers at opposite ends opened;

FIG. 18 is a bottom rear perspective view thereof,

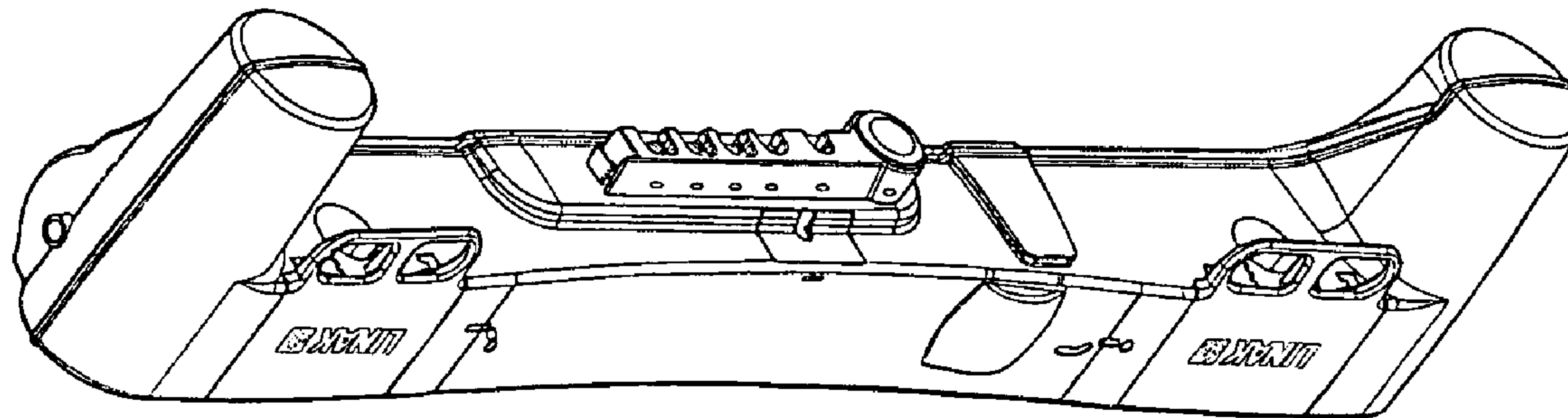
FIG. 19 is a top perspective view of a cover, shown separately for clarity, and

FIG. 20 is a rear perspective view thereof, and

FIG. 21 is a top front perspective view of the locking device for electric cable plugs, shown separately for clarity; and,

FIG. 22 is a rear perspective view thereof.

1 Claim, 7 Drawing Sheets



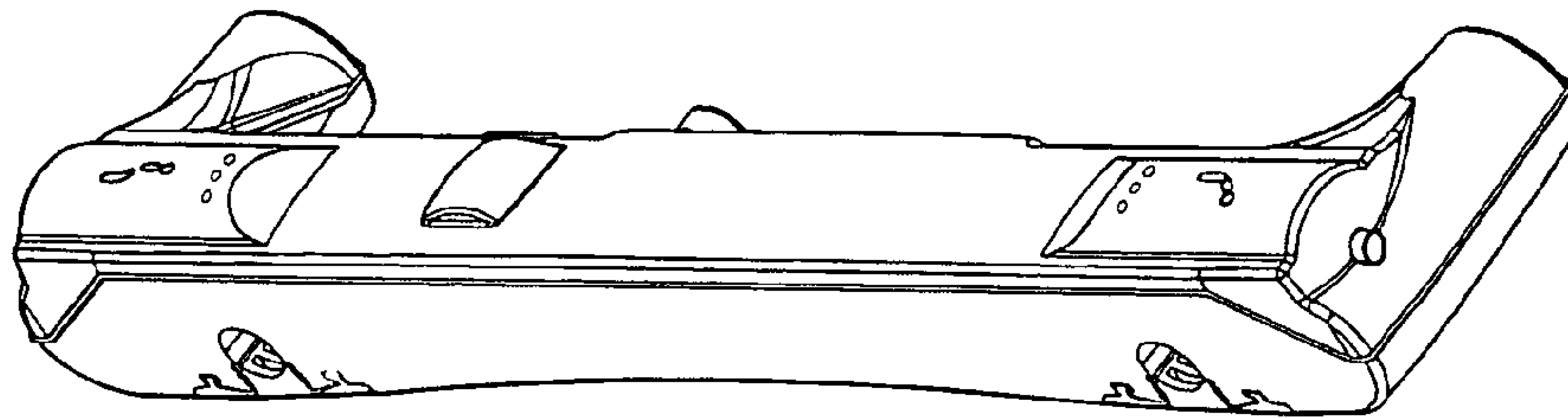


FIG. 2

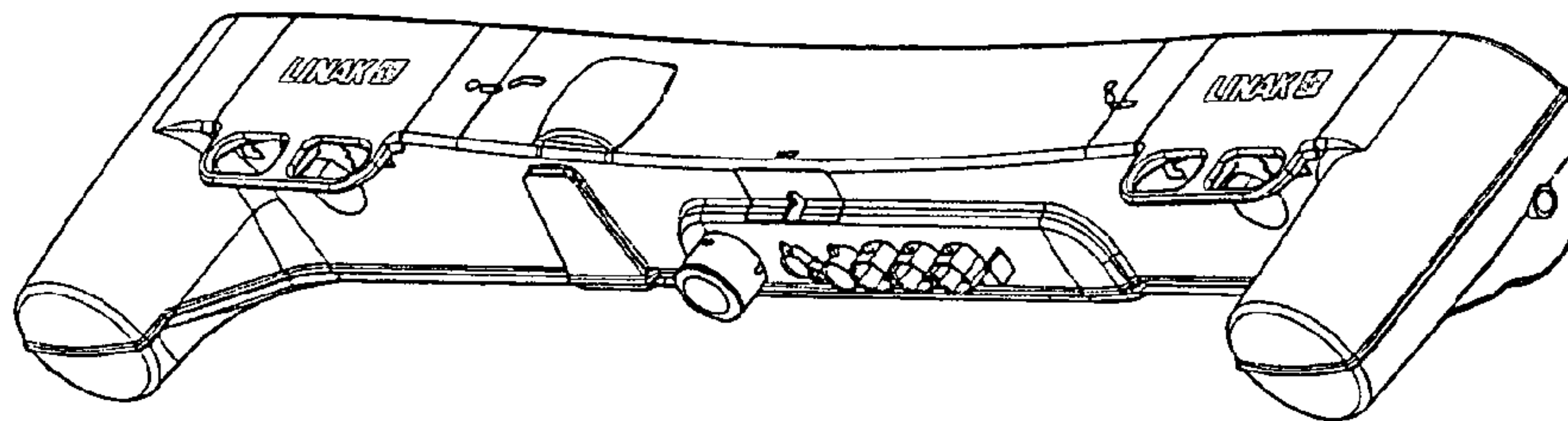


FIG. 1

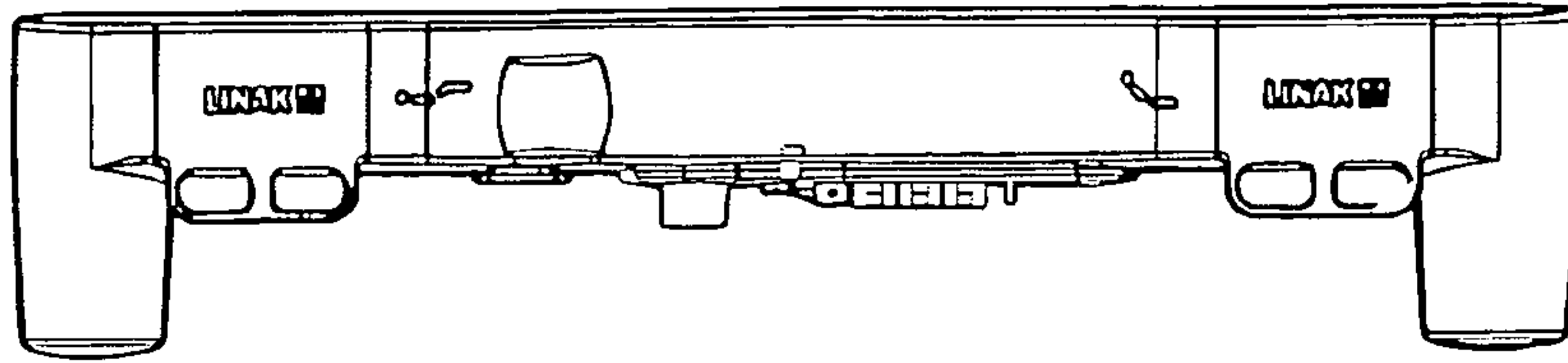


FIG. 3

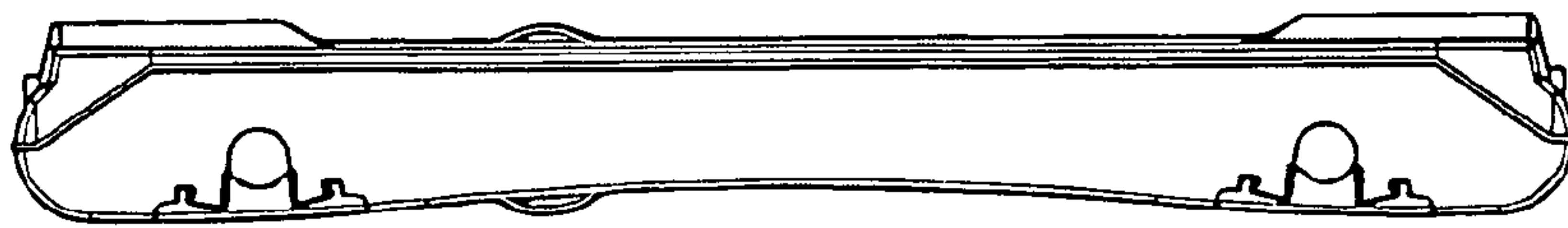


FIG. 4

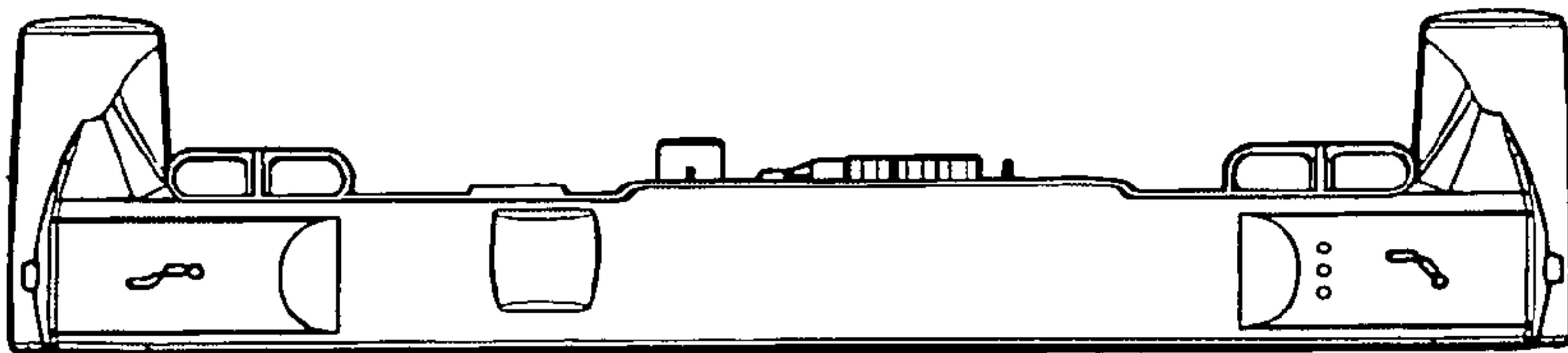


FIG. 5

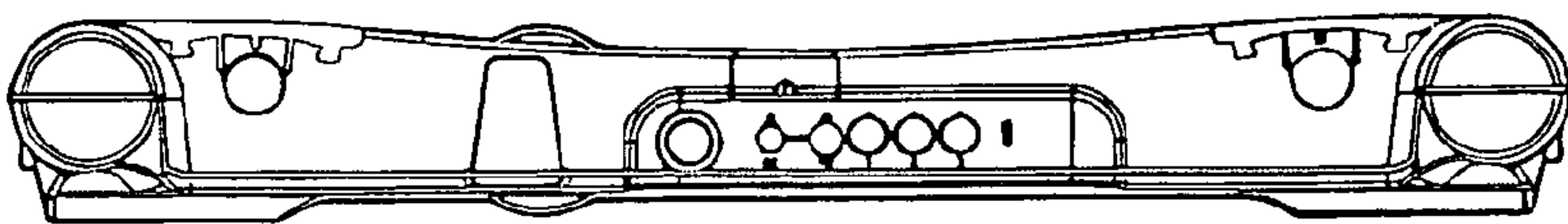


FIG. 6

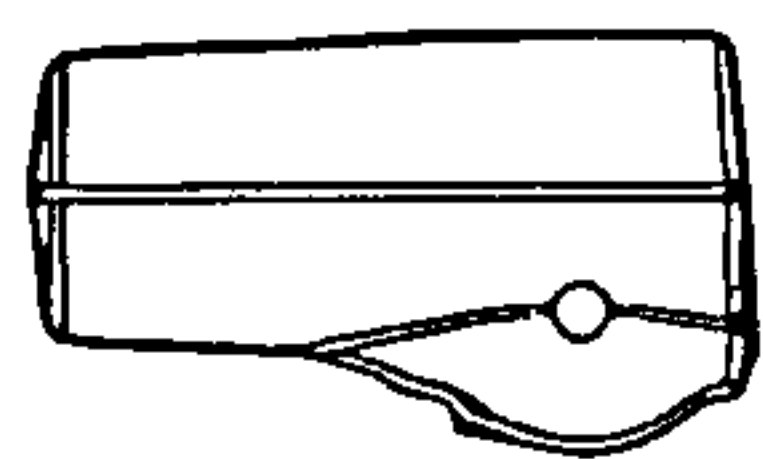


FIG. 7

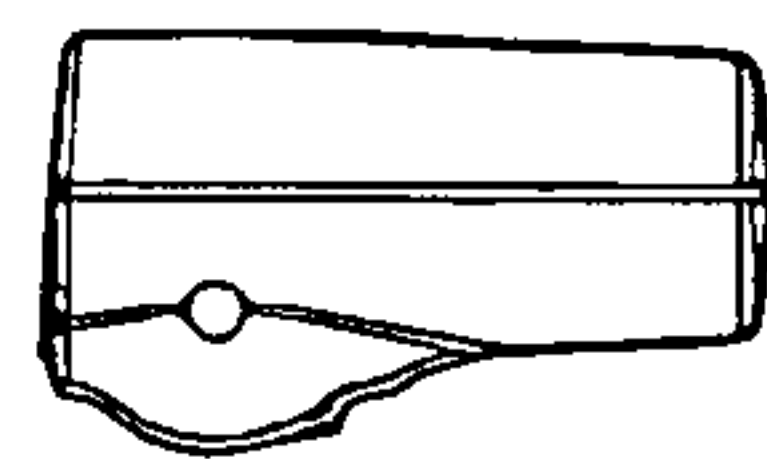


FIG. 8

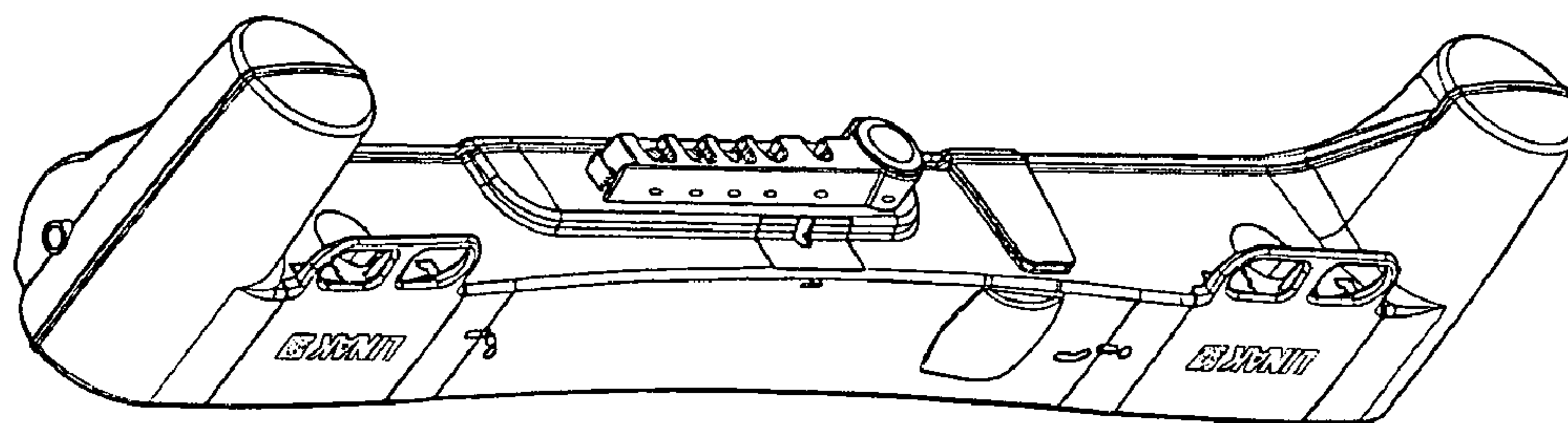


FIG. 10

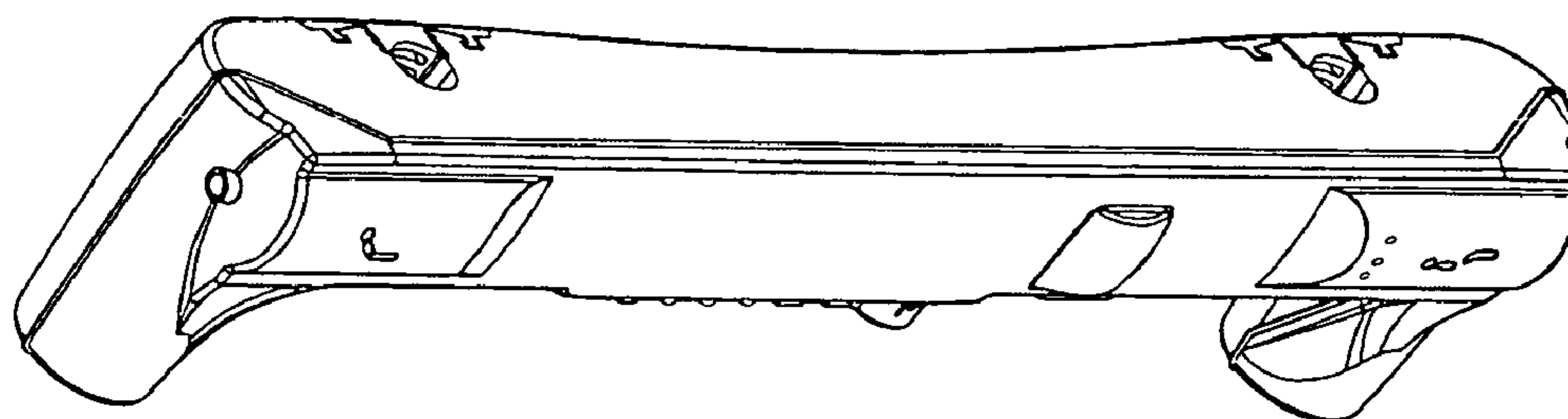


FIG. 9

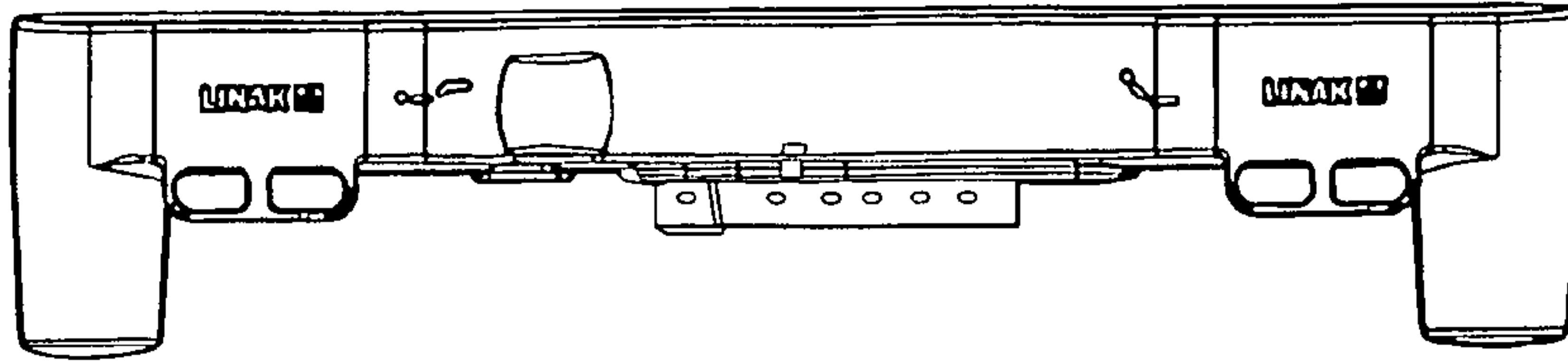


FIG. 11

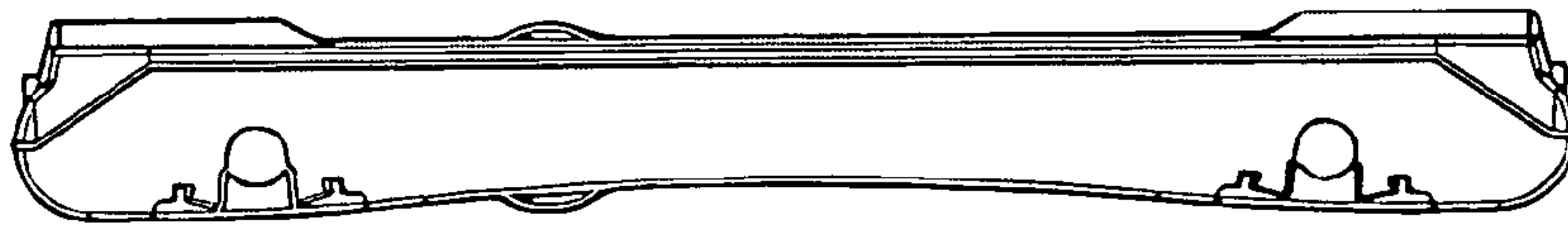


FIG. 12

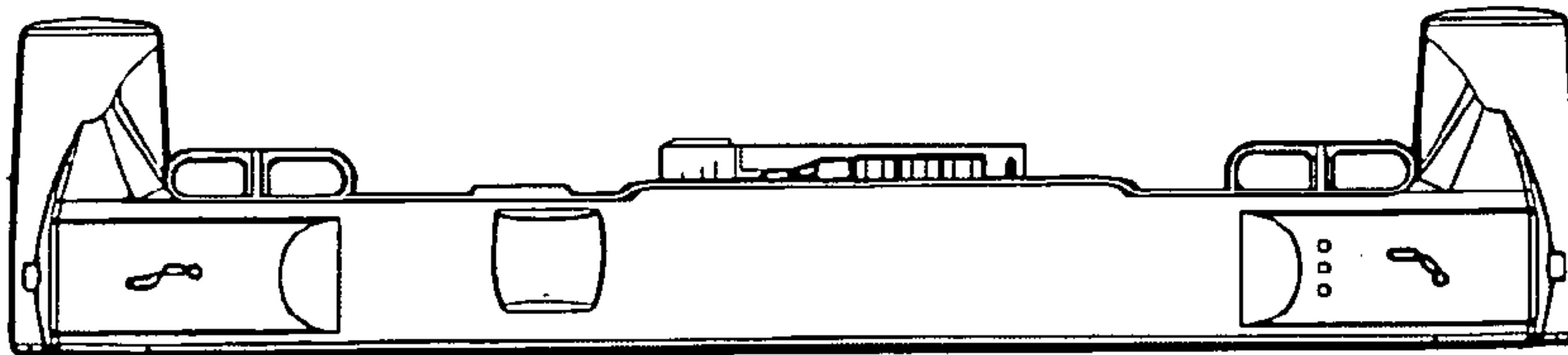


FIG. 13

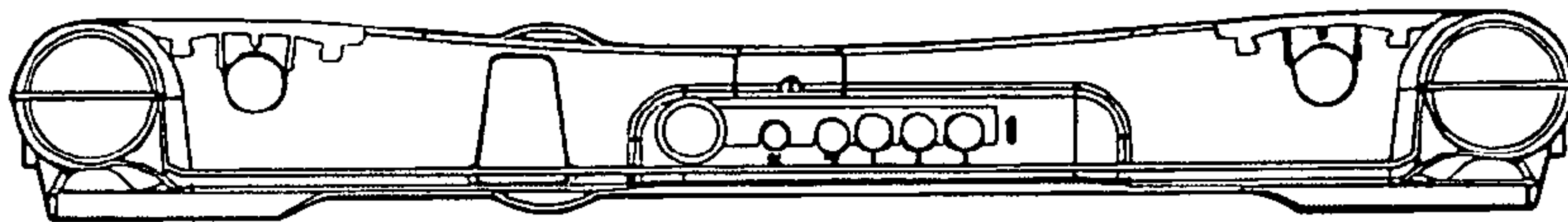


FIG. 14

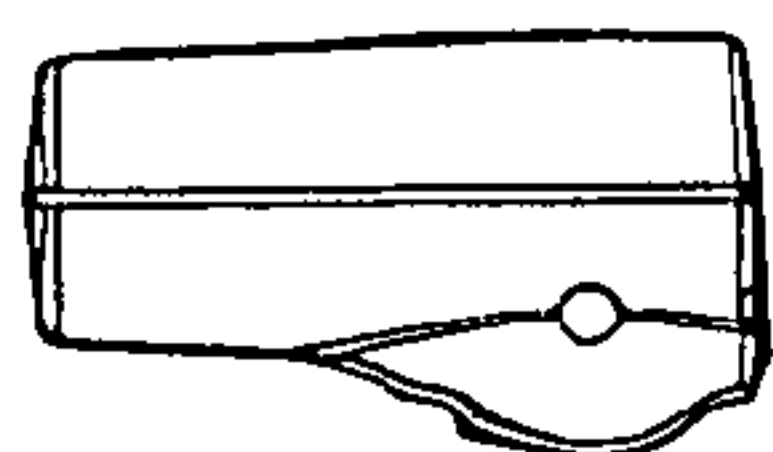


FIG. 15

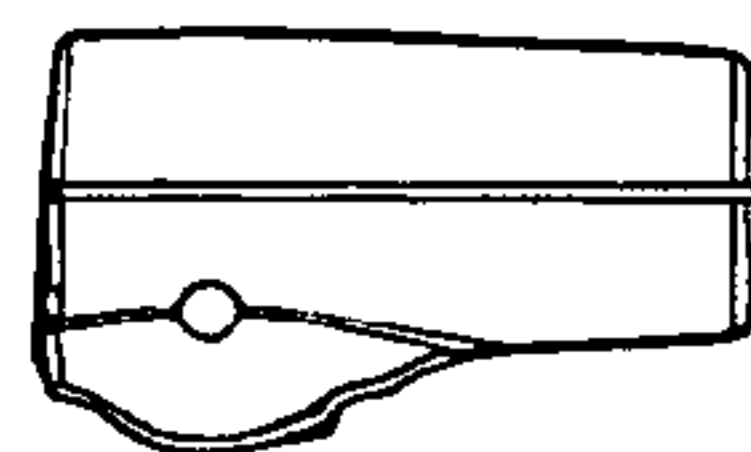


FIG. 16

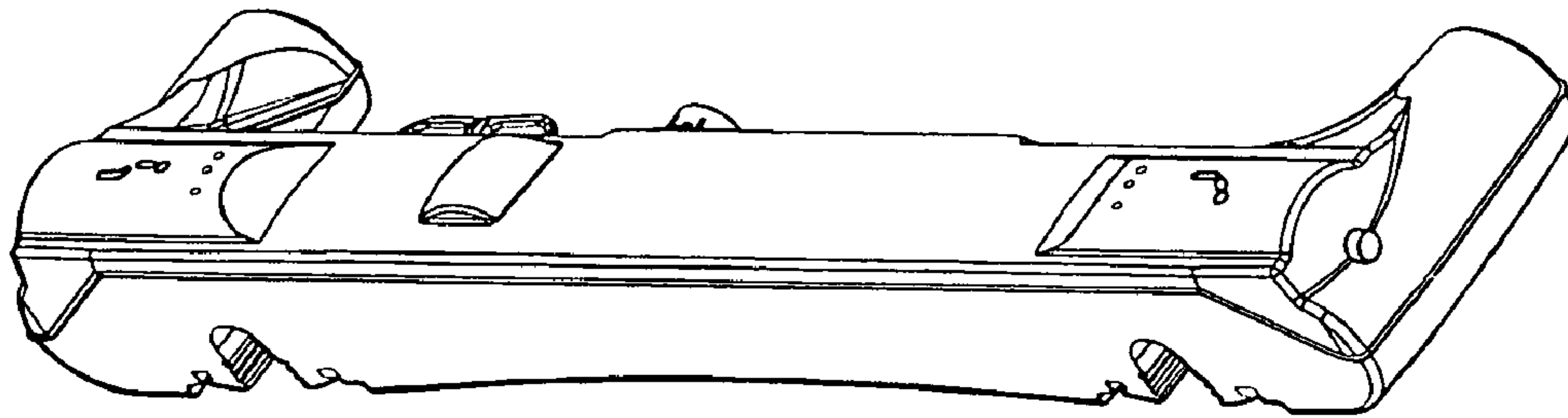


FIG. 18

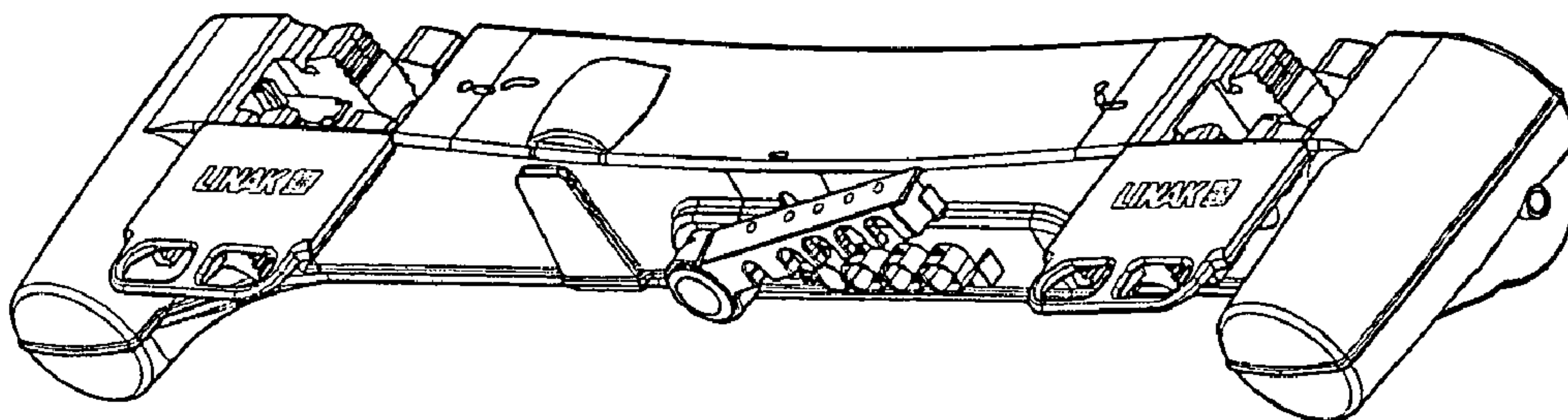


FIG. 17

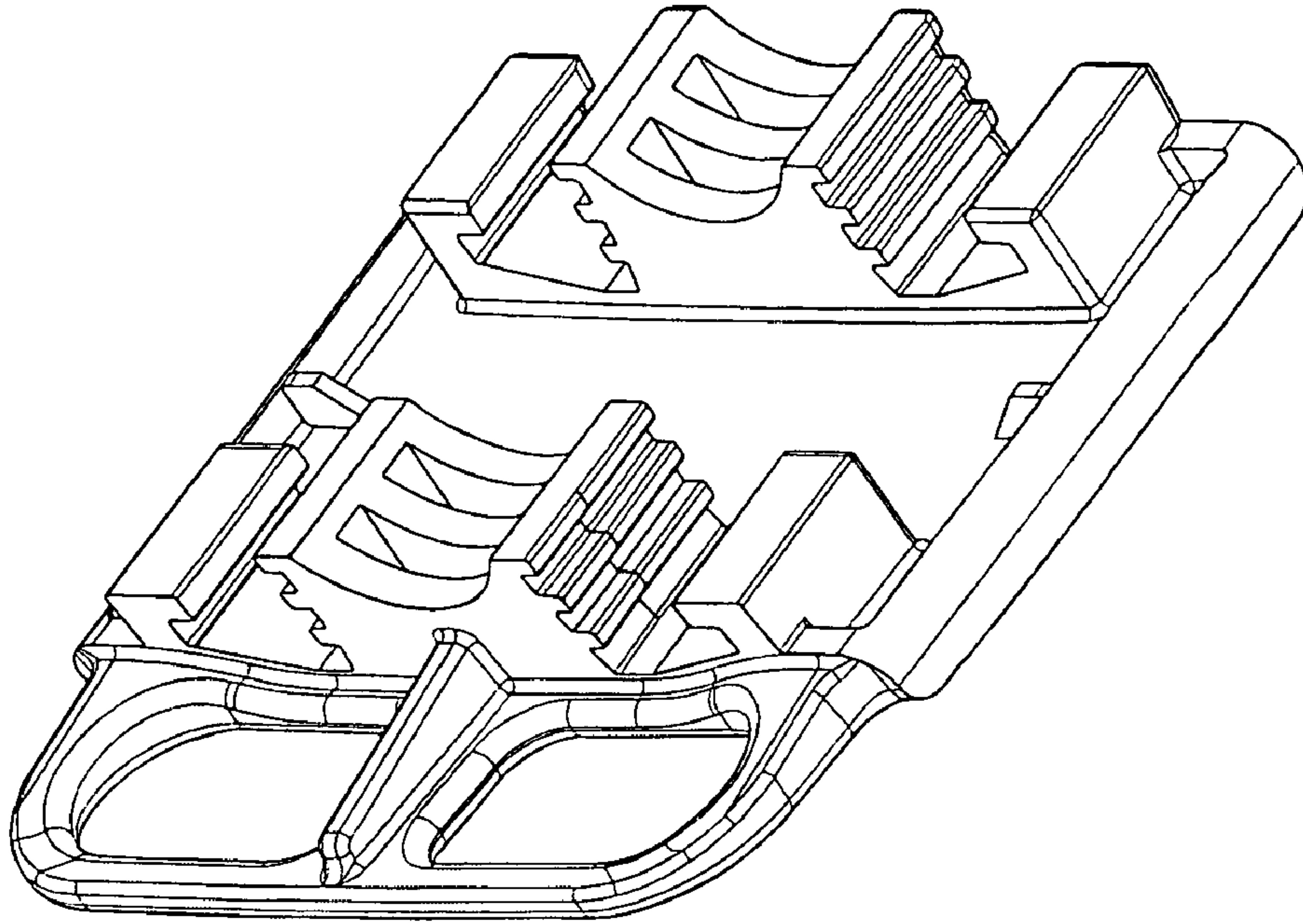


FIG. 20

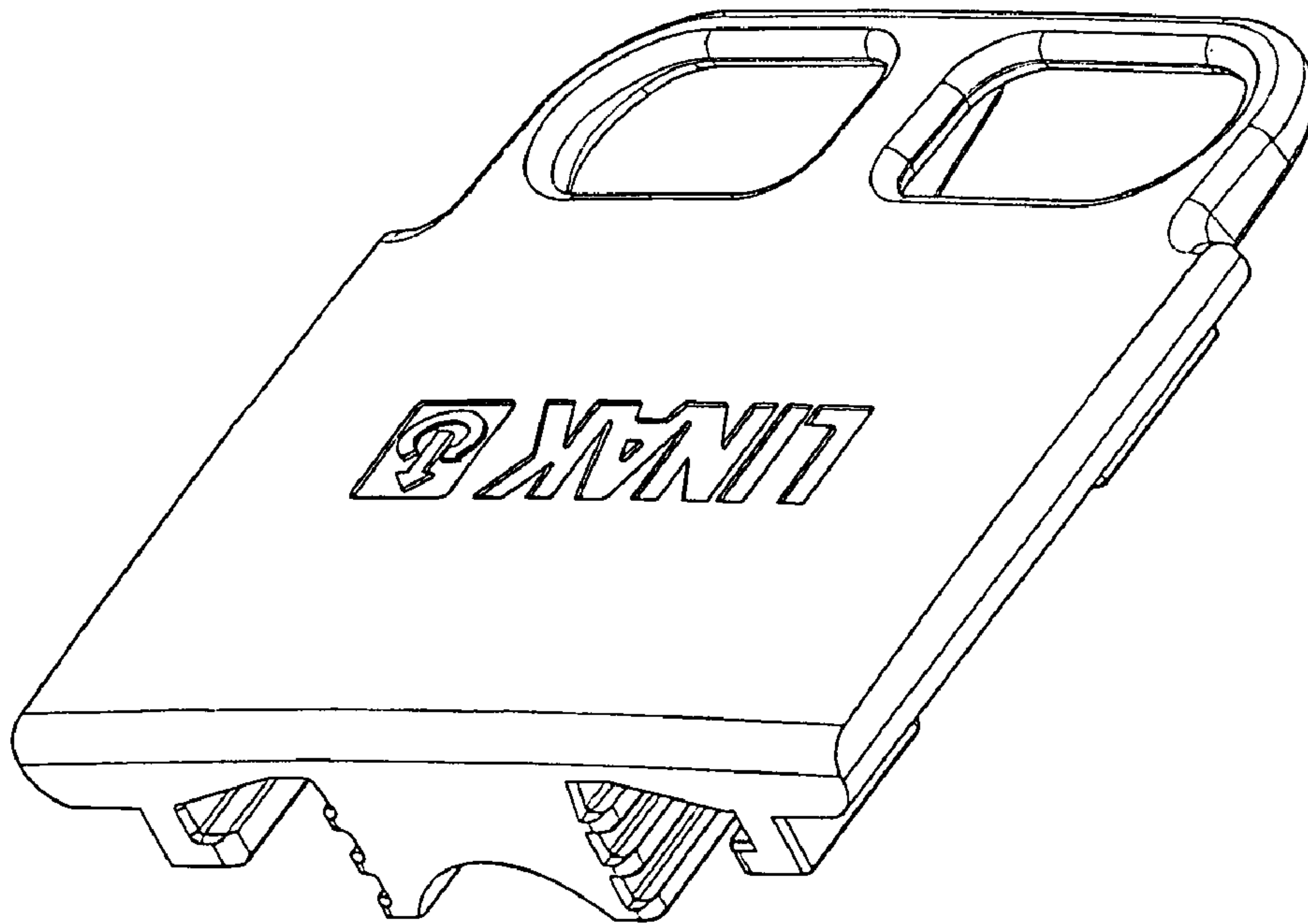


FIG. 19

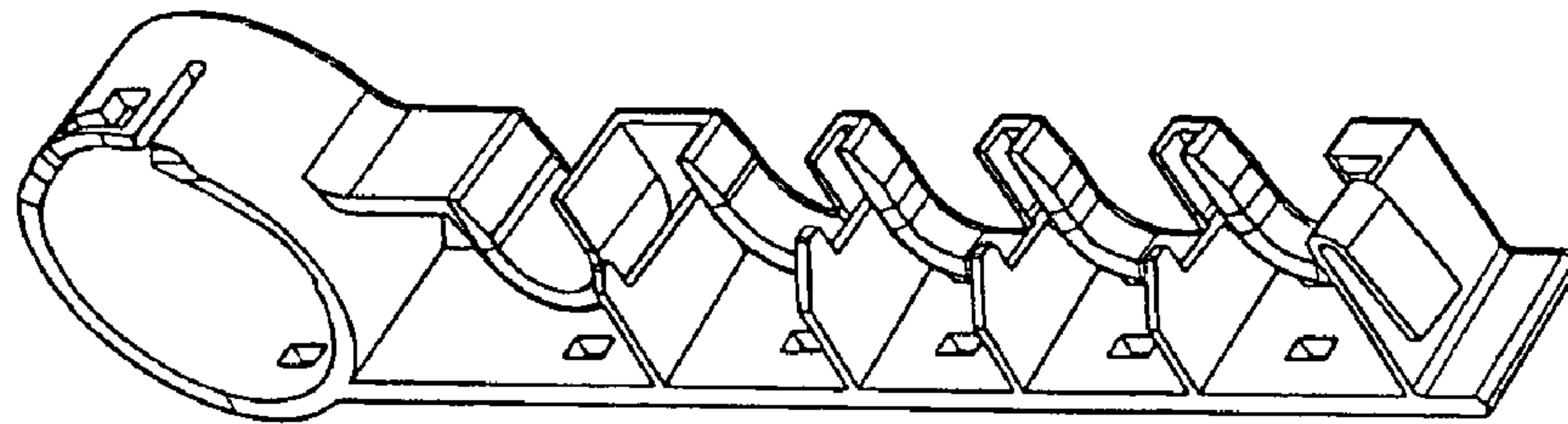


FIG. 22

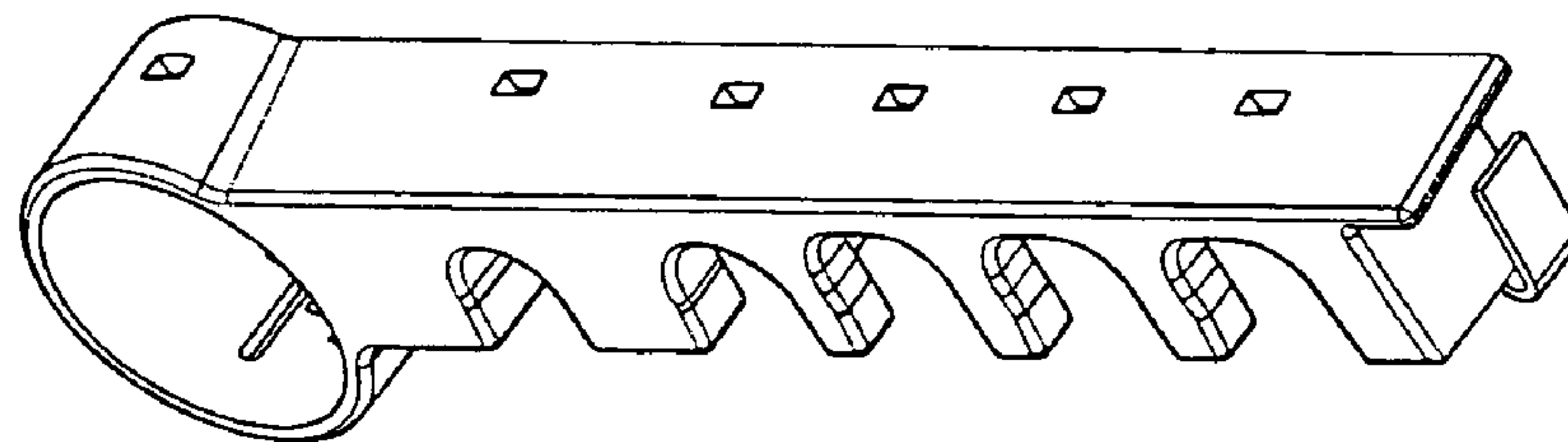


FIG. 21