

US00D567749S

(12) **United States Design Patent**  
**Brown et al.**

(10) **Patent No.:** **US D567,749 S**

(45) **Date of Patent:** **\*\* Apr. 29, 2008**

(54) **TIRE TREAD**

(75) Inventors: **Stephanie Carol Brown**, Akron, OH (US); **Delwyn Lovell Harvey**, North Canton, OH (US)

(73) Assignee: **The Goodyear Tire & Rubber Company**, Akron, OH (US)

(\*\*) Term: **14 Years**

(21) Appl. No.: **29/270,397**

(22) Filed: **Dec. 21, 2006**

(51) **LOC (8) Cl.** ..... **12-15**

(52) **U.S. Cl.** ..... **D12/579**

(58) **Field of Classification Search** ..... D12/544-545, D12/531, 560-561, 566-567, 579-583, 596, D12/512, 602-603, 900-901; 152/209.18, 152/209.1, 209.9, 209.12, 209.25

See application file for complete search history.

(56) **References Cited**

**U.S. PATENT DOCUMENTS**

D326,075 S	5/1992	Covert et al. ....	D12/147
D329,626 S	9/1992	Goergen et al. ....	D12/146
D344,049 S	2/1994	Brown et al. ....	D12/147
D365,791 S	1/1996	Brown et al. ....	D12/146
D379,334 S	5/1997	Rohweder et al. ....	D12/146
D379,445 S	5/1997	Rohweder et al. ....	D12/147
D380,716 S	7/1997	Brown et al. ....	D12/147
D383,716 S	9/1997	Brown et al. ....	D12/147
D412,472 S	8/1999	Brown et al. ....	D12/146
D414,727 S	10/1999	Brown et al. ....	D12/146
D421,732 S	3/2000	Fierro et al. ....	D12/146
D429,479 S	8/2000	Fierro et al. ....	D12/147
D437,266 S	2/2001	Poling et al. ....	D12/146

D444,426 S	7/2001	Marazzi et al. ....	D12/146
D447,447 S	* 9/2001	Guspodin et al. ....	D12/579
D455,117 S	* 4/2002	Guspodin et al. ....	D12/579
D458,585 S	* 6/2002	Rayman ....	D12/602
D462,655 S	* 9/2002	Zurita ....	D12/602
D483,718 S	* 12/2003	Hutz et al. ....	D12/579
D496,328 S	* 9/2004	Shondel et al. ....	D12/579
D512,370 S	* 12/2005	Pang ....	D12/579
D530,264 S	* 10/2006	Labbe et al. ....	D12/579
D530,265 S	* 10/2006	Hutz et al. ....	D12/579
D548,173 S	* 8/2007	Herbeuval et al. ....	D12/579

\* cited by examiner

*Primary Examiner*—Stacia Cadmus

(74) *Attorney, Agent, or Firm*—Richard B. O’Planick

(57) **CLAIM**

The ornamental design for a tire tread, as shown and described.

**DESCRIPTION**

FIG. 1 is a perspective view of a tire tread showing our new design, it being understood that the pattern repeats uniformly throughout the circumference of the tread;

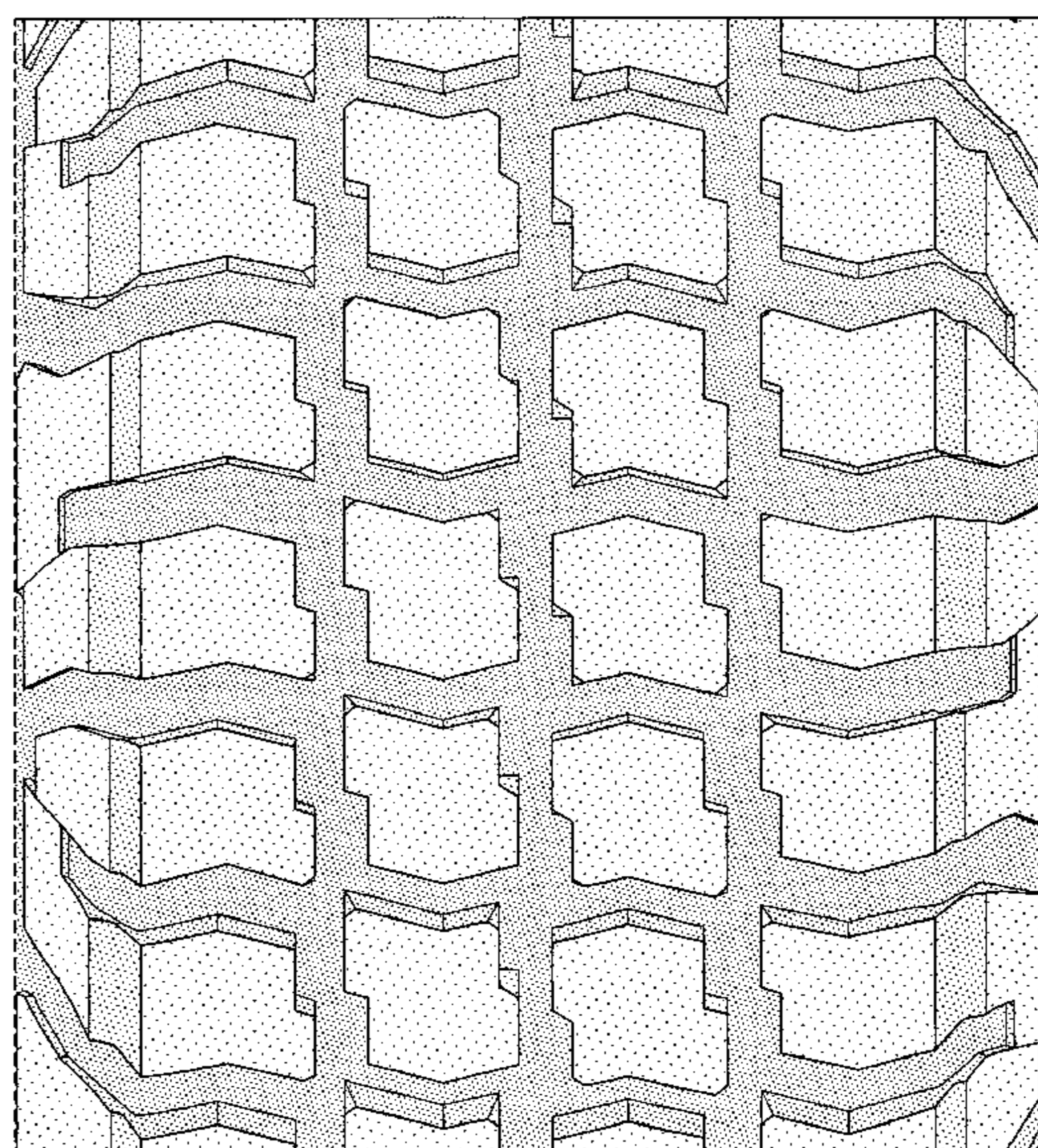
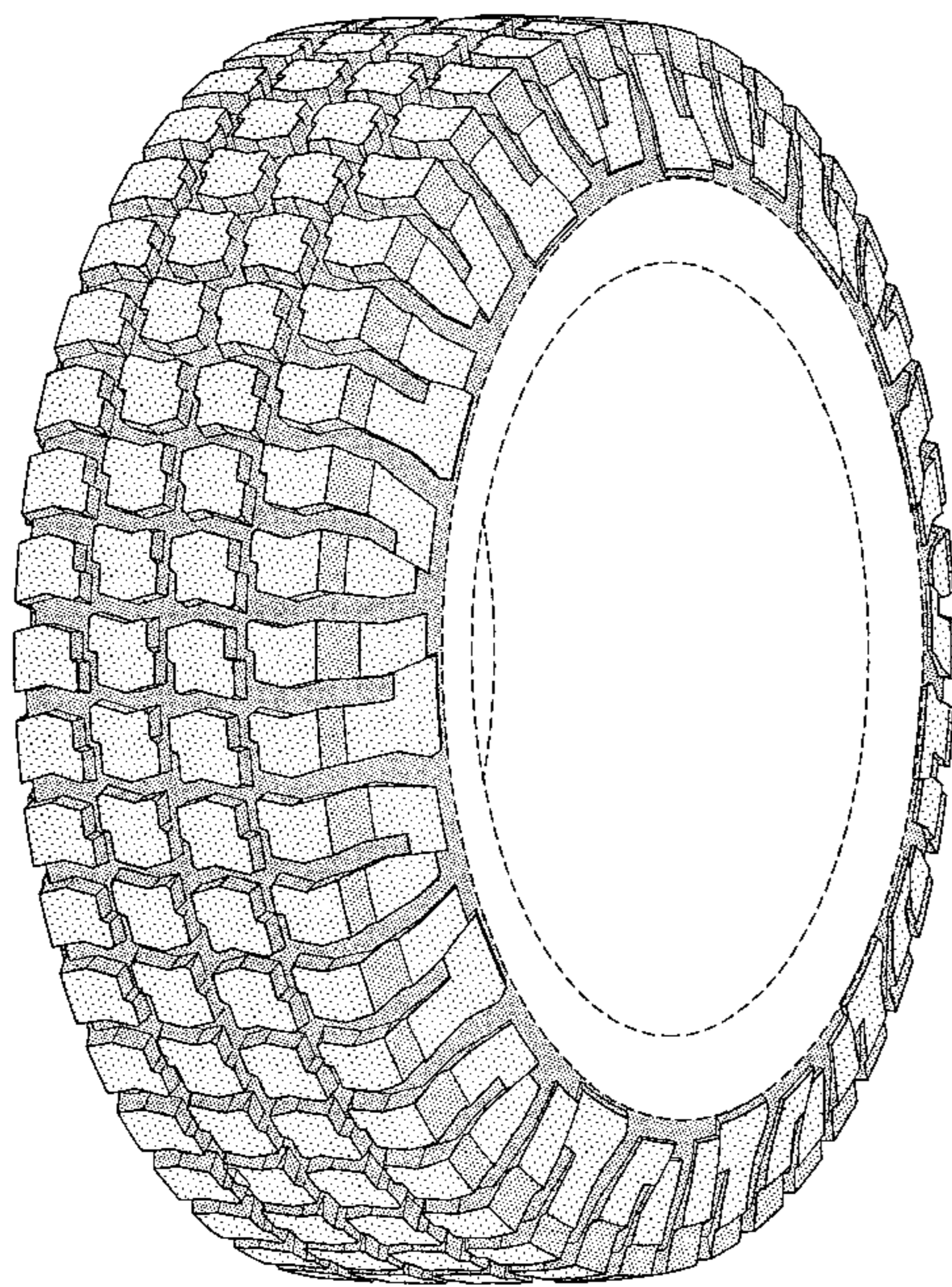
FIG. 2 is a front elevational view thereof;

FIG. 3 is a right side elevational view thereof; the other side being a mirror image thereof; and,

FIG. 4 is an enlarged fragmentary front elevational view thereof.

In the drawings, the broken lines defining the sidewall, inner bead and the peripheral boundary between the tire tread and the sidewall are for illustrative purposes only and form no part of the claimed design.

**1 Claim, 4 Drawing Sheets**



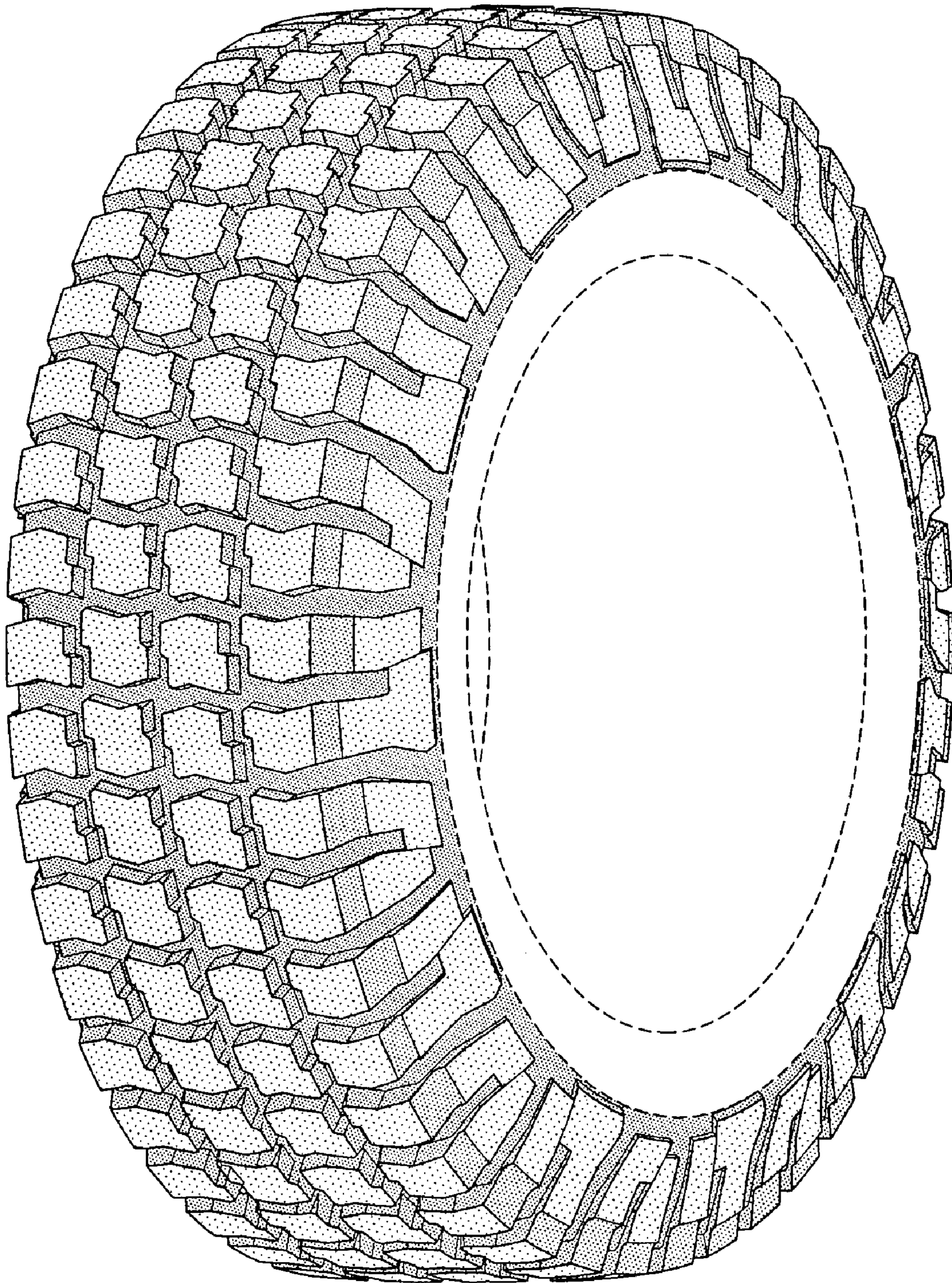


FIG-1

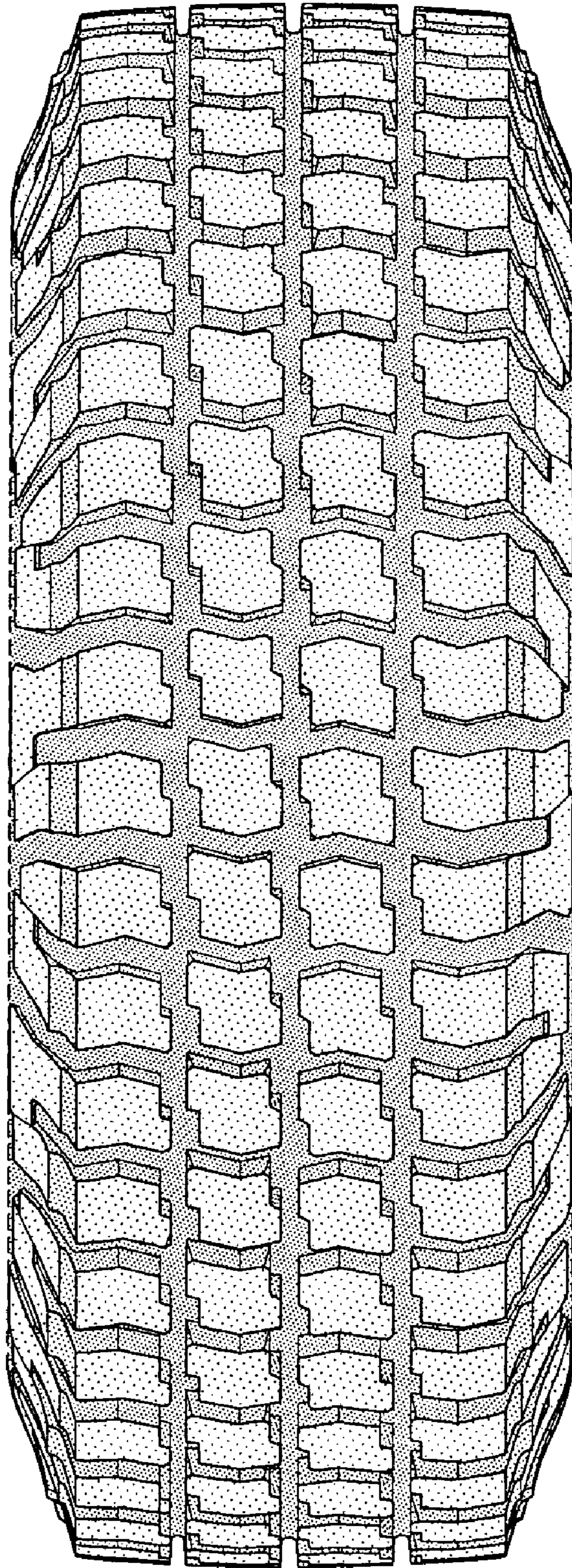


FIG-2

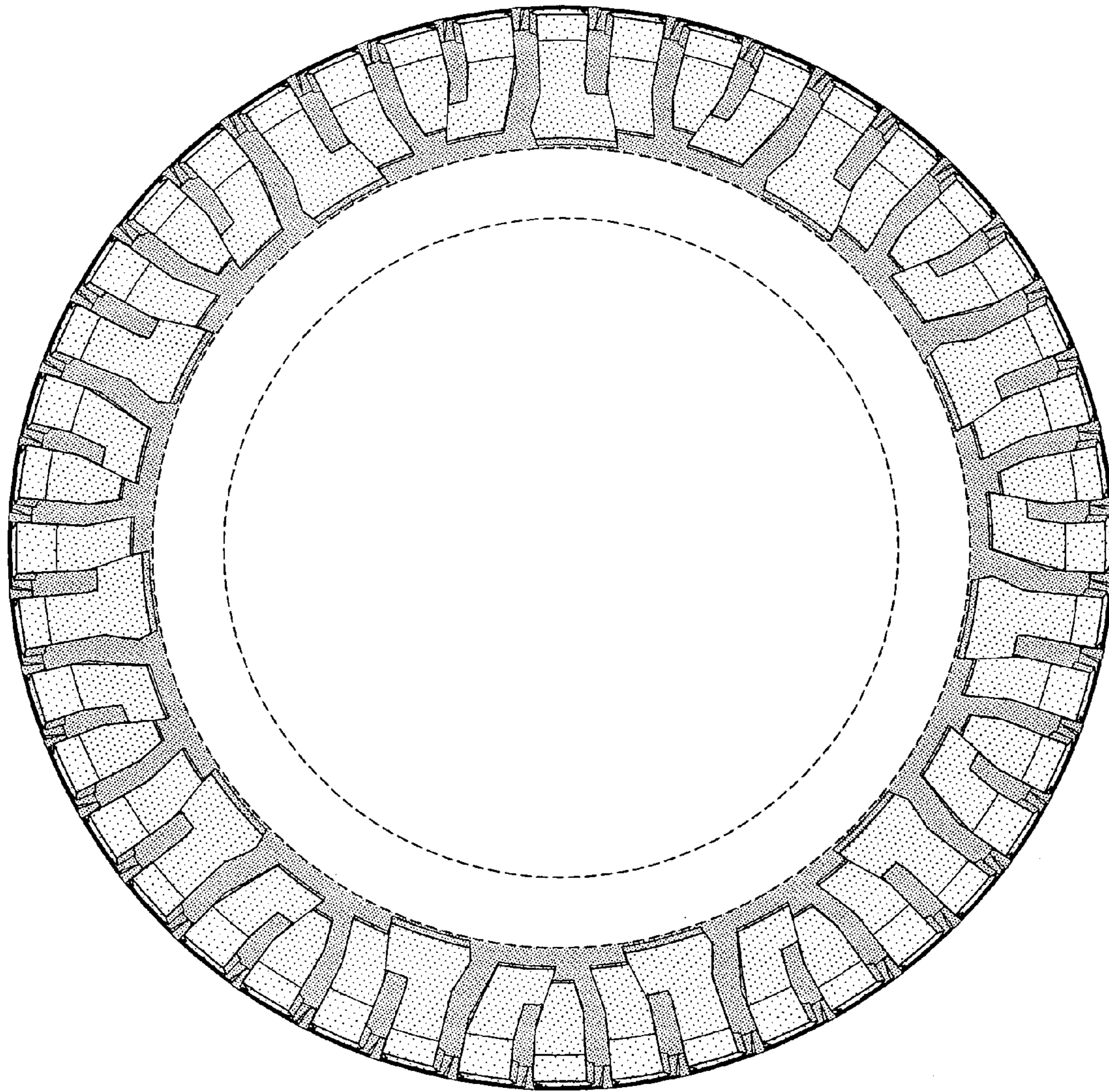


FIG-3

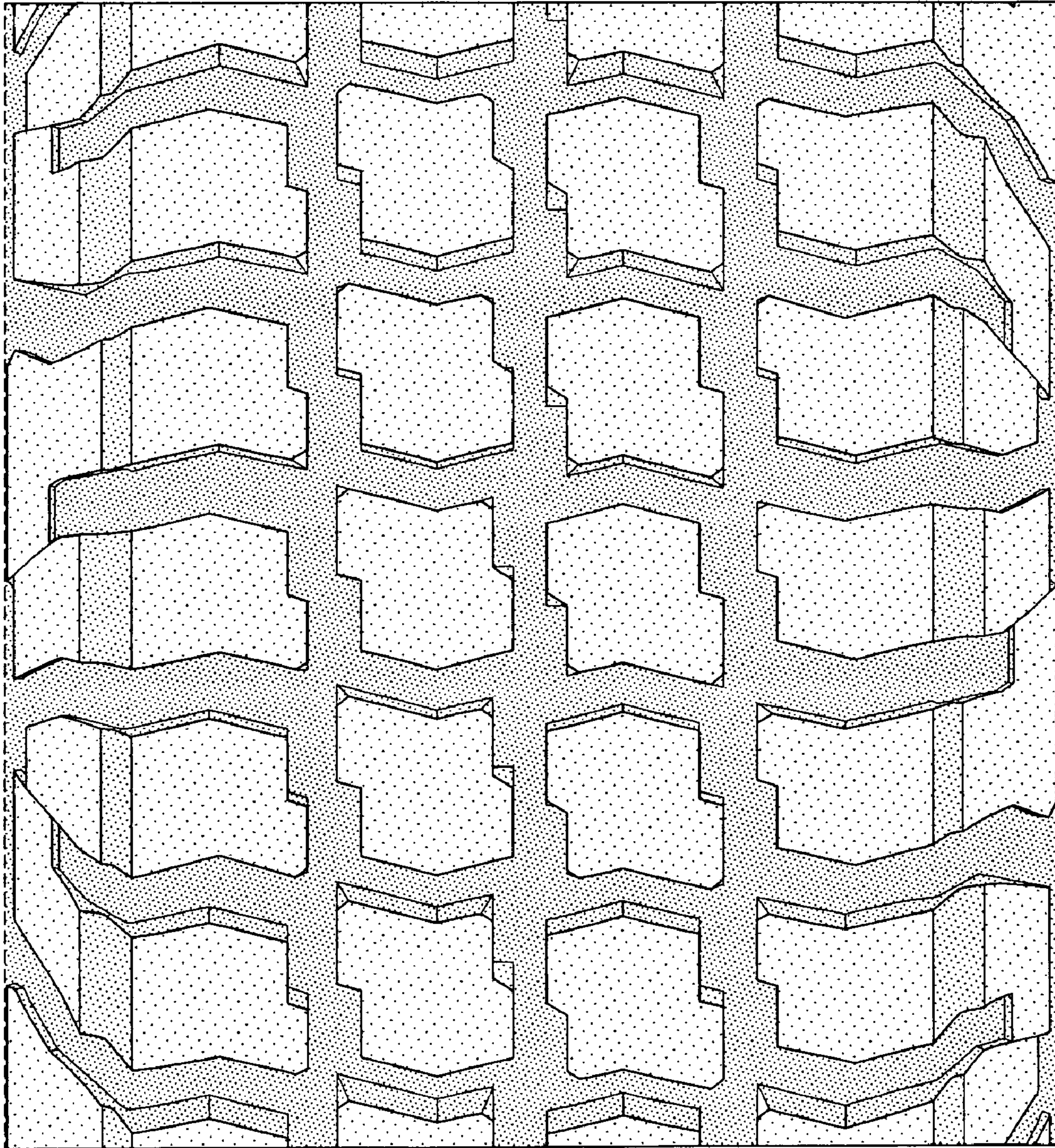


FIG-4