

US00D567740S

(12) **United States Design Patent**
Smith

(10) **Patent No.:** **US D567,740 S**

(45) **Date of Patent:** **** Apr. 29, 2008**

(54) **MOTORCYCLE CUP HOLDER**

(76) Inventor: **Devon G. Smith**, W207 S10491
Jennifer Dr., Muskego, WI (US) 53150

(**) Term: **14 Years**

(21) Appl. No.: **29/270,749**

(22) Filed: **Jan. 3, 2007**

Related U.S. Application Data

(63) Continuation of application No. 29/238,396, filed on
Sep. 15, 2005, now Pat. No. Des. 537,402.

(51) **LOC (8) Cl.** **12-11**

(52) **U.S. Cl.** **D12/411; D12/223**

(58) **Field of Classification Search** D12/110,
D12/223, 407, 409, 411; 224/42.11, 414,
224/425, 553, 564-567, 549, 558, 400, 420,
224/924, 926; 248/311.2, 150, 291.1; 297/188.15,
297/188.16; 280/288.4; 180/219
See application file for complete search history.

(56) **References Cited**

U.S. PATENT DOCUMENTS

4,828,211 A	5/1989	McConnell et al.
4,984,722 A	1/1991	Moore
5,072,909 A	12/1991	Huang
5,167,392 A	12/1992	Henricksen
5,318,266 A	6/1994	Liu
5,423,508 A	6/1995	Isenga et al.
5,522,527 A	6/1996	Tsai

5,601,268 A	2/1997	Dunchock
5,603,477 A	2/1997	Deutsch
5,738,322 A	4/1998	Huang
6,390,427 B1	5/2002	McConnell et al.
6,663,068 B2	12/2003	Huang
6,692,053 B1	2/2004	Smith
6,719,254 B1	4/2004	Speiser

FOREIGN PATENT DOCUMENTS

JP 1-141135 6/1989

Primary Examiner—Cathron Brooks

Assistant Examiner—Linda Brooks

(74) *Attorney, Agent, or Firm*—Ryan Kromholz & Manion,
S.C.

(57) **CLAIM**

The ornamental design for a motorcycle cup holder, as
shown and described.

DESCRIPTION

FIG. 1 is a front perspective view of my invention;

FIG. 2 is a front elevation view thereof;

FIG. 3 is a right side elevation view thereof;

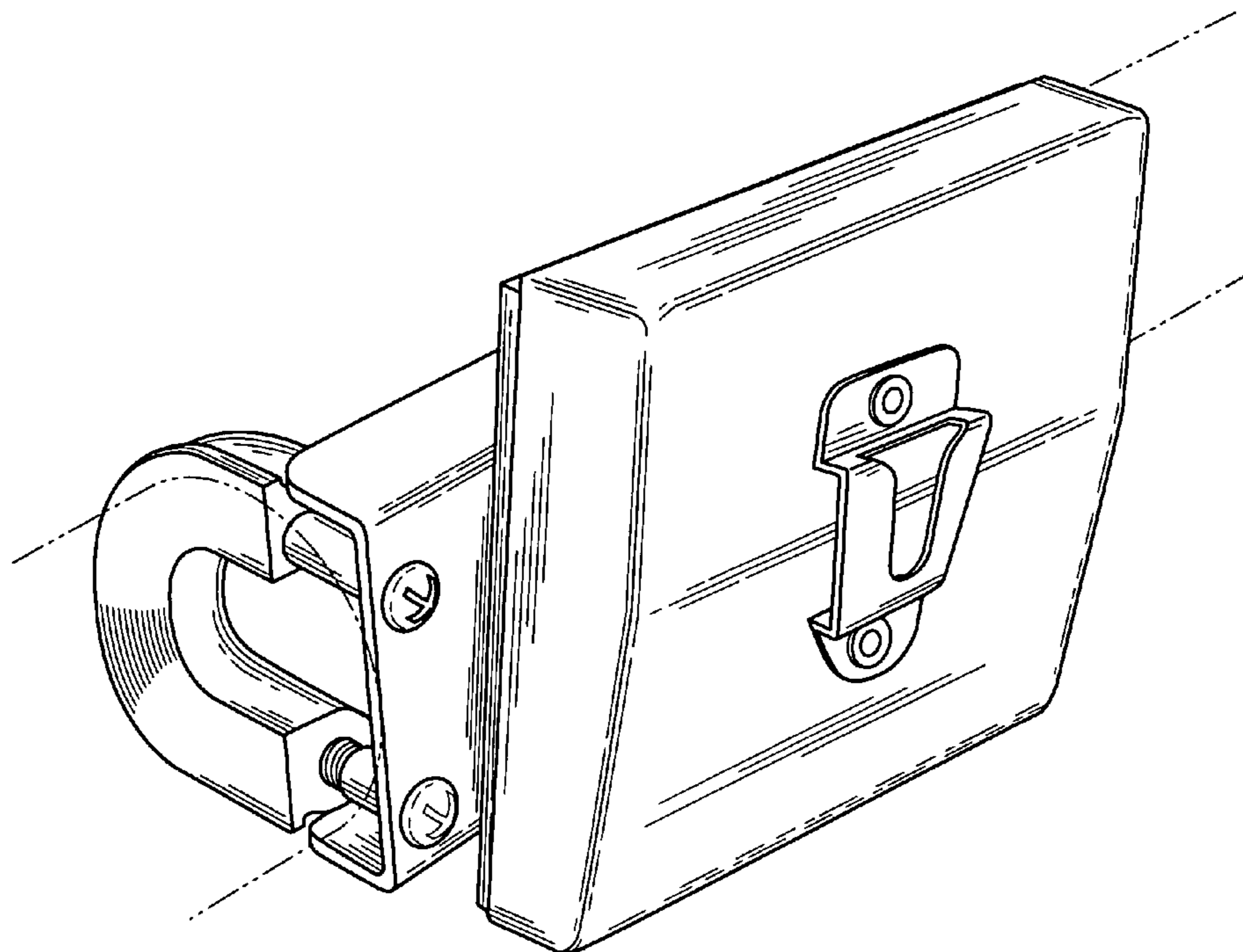
FIG. 4 is a left side elevation view thereof;

FIG. 5 is a top plan view thereof; and,

FIG. 6 is a bottom plan view thereof.

The broken lines in the Figures are illustrative of environ-
mental structure only and form no part of the claimed
design.

1 Claim, 3 Drawing Sheets



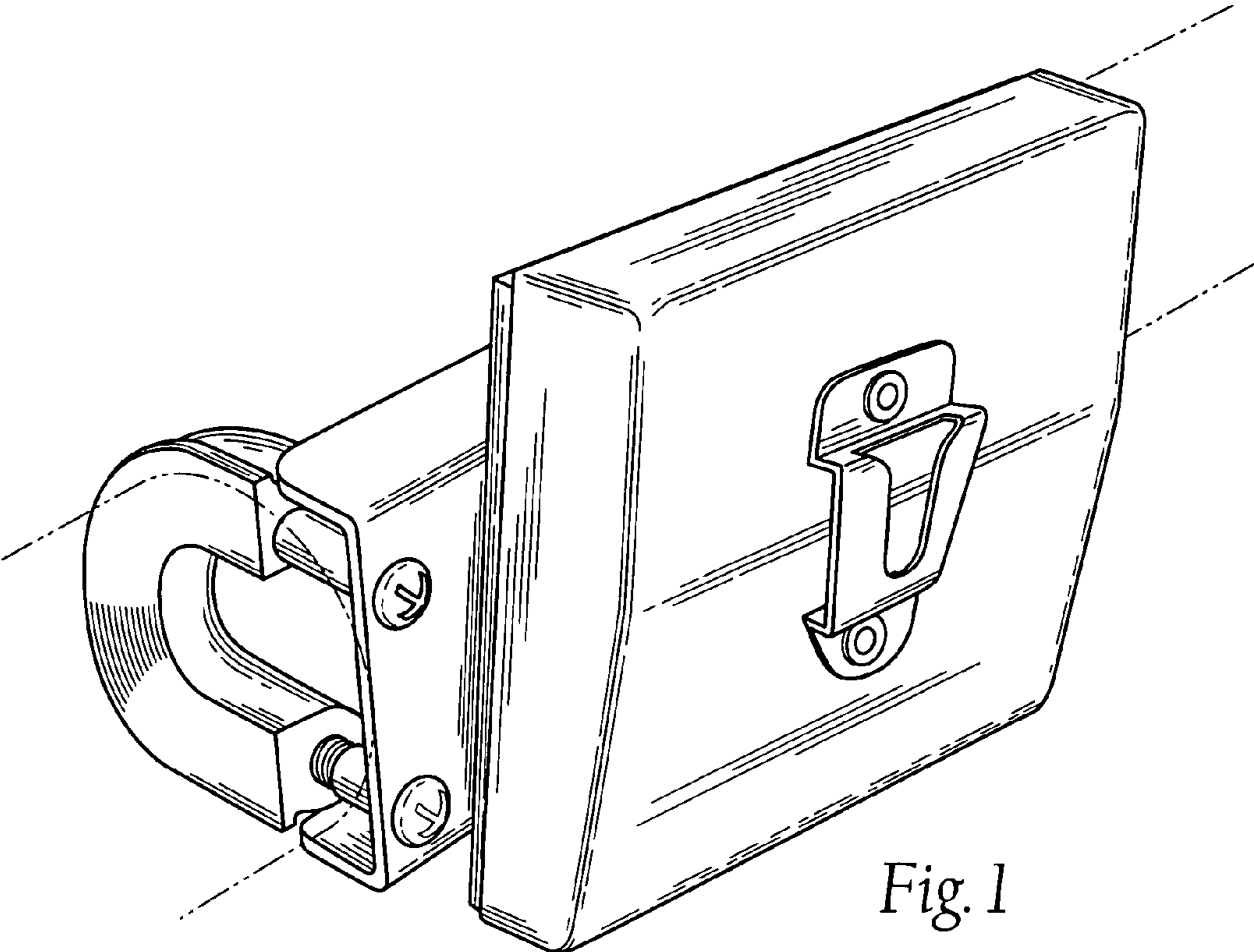


Fig. 1

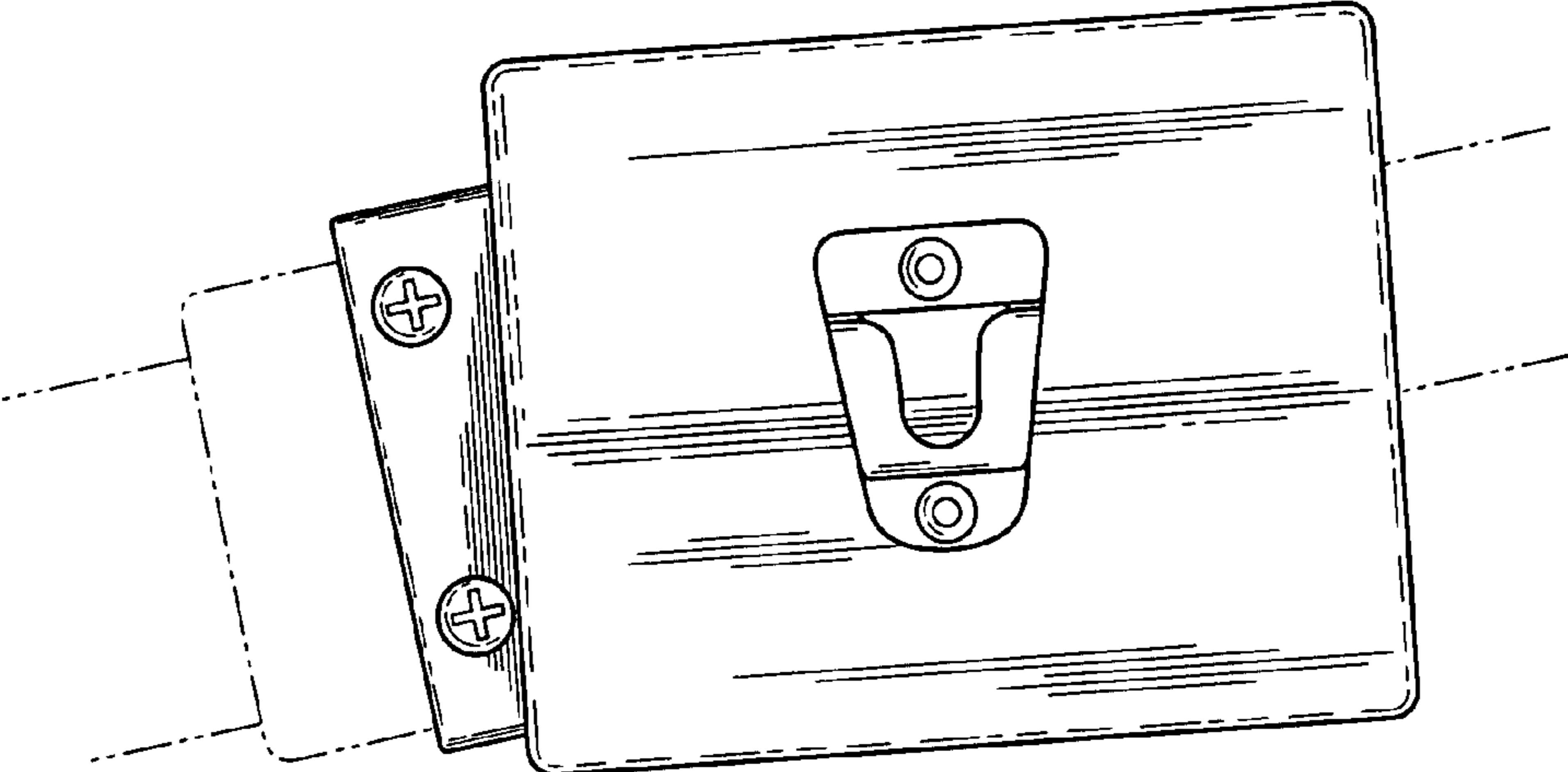


Fig. 2

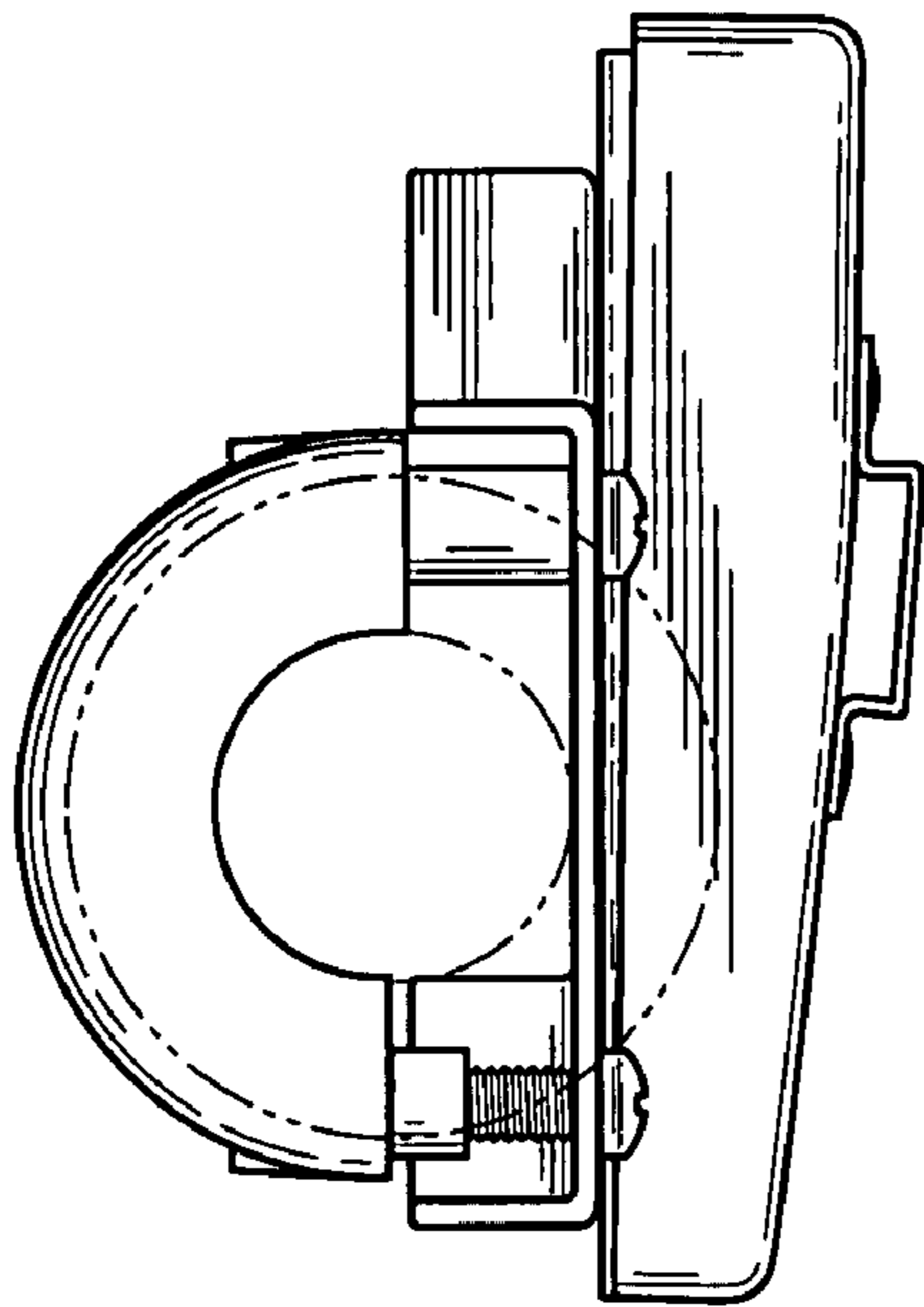


Fig. 3

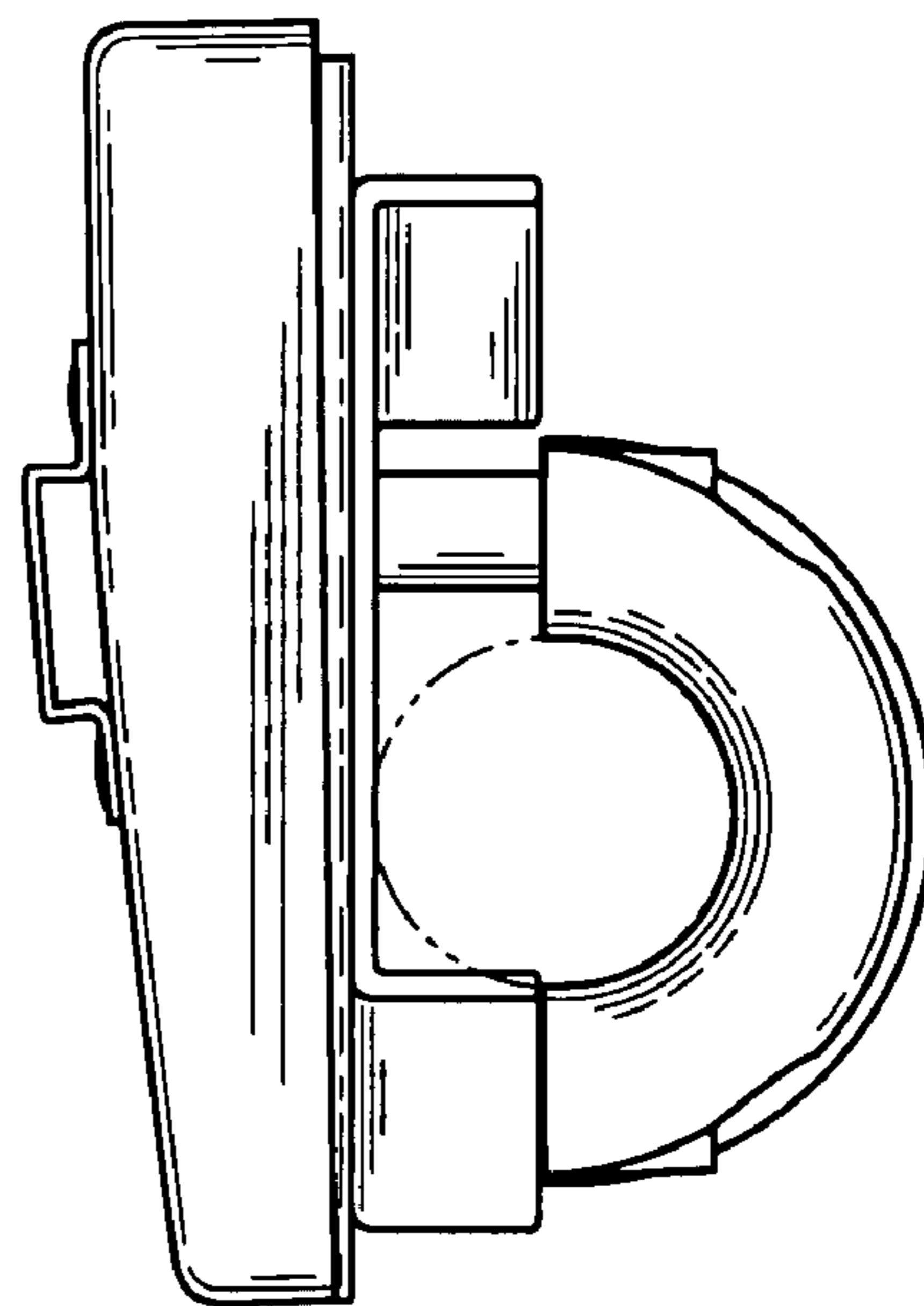


Fig. 4

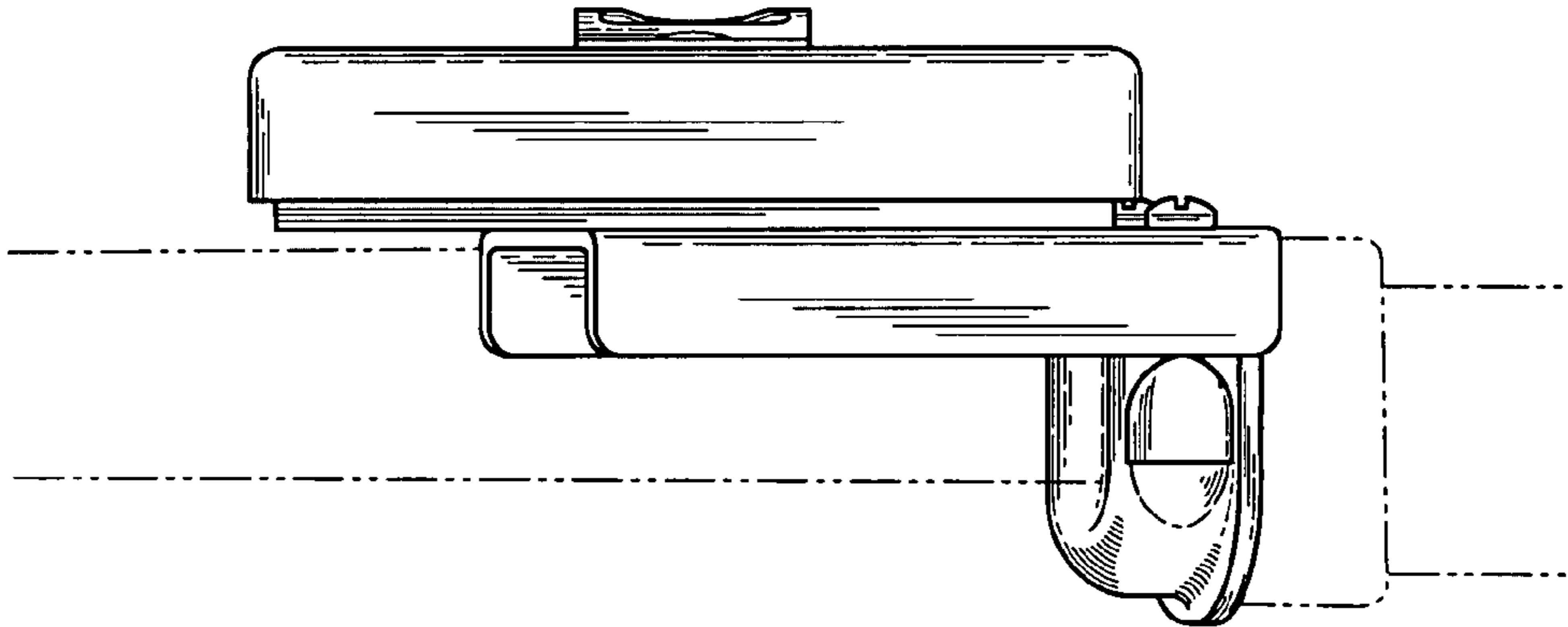


Fig. 5

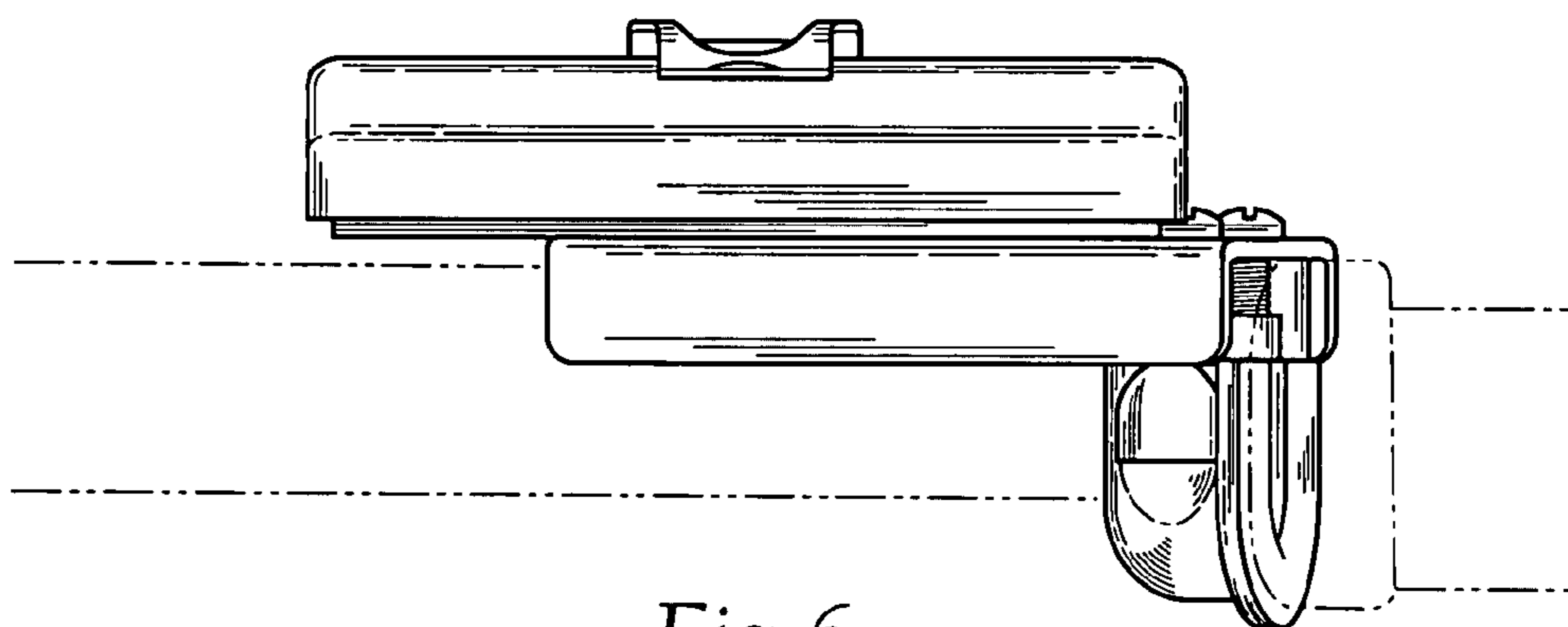


Fig. 6