



US00D567738S

(12) **United States Design Patent**  
**Habib et al.**

(10) **Patent No.:** **US D567,738 S**

(45) **Date of Patent:** **\*\* Apr. 29, 2008**

(54) **FRONT FACE OF A VEHICLE WHEEL**

(75) Inventors: **Karim Antoine Habib**, Munich (DE);  
**Sebastian Morgenstern**, Munich (DE)

(73) Assignee: **Bayerische Motoren Werke Aktiengesellschaft**, Munich (DE)

(\*\*) Term: **14 Years**

(21) Appl. No.: **29/284,592**

(22) Filed: **Sep. 12, 2007**

(30) **Foreign Application Priority Data**

Mar. 13, 2007 (DE) ..... 40701480

(51) **LOC (8) Cl.** ..... **12-16**

(52) **U.S. Cl.** ..... **D12/211**

(58) **Field of Classification Search** ..... D12/204-213;  
301/37.101, 64.101, 65, 64.201

See application file for complete search history.

(56) **References Cited**

**U.S. PATENT DOCUMENTS**

- D456,333 S \* 4/2002 Pollmann ..... D12/211
- D466,854 S \* 12/2002 Kern ..... D12/211
- D479,178 S \* 9/2003 Lai ..... D12/211

- D515,493 S \* 2/2006 Schaefers ..... D12/211
- D516,001 S \* 2/2006 Tirado ..... D12/209
- D526,947 S \* 8/2006 Kim ..... D12/209
- D526,948 S \* 8/2006 Truebsbach ..... D12/211
- D528,959 S \* 9/2006 Sycha ..... D12/209
- D533,827 S \* 12/2006 Aydin ..... D12/211
- D546,748 S \* 7/2007 Young ..... D12/211

\* cited by examiner

*Primary Examiner*—Stacia Cadmus

(74) *Attorney, Agent, or Firm*—Crowell & Moring LLP

(57) **CLAIM**

The ornamental design for a front face of a vehicle wheel, as shown and described.

**DESCRIPTION**

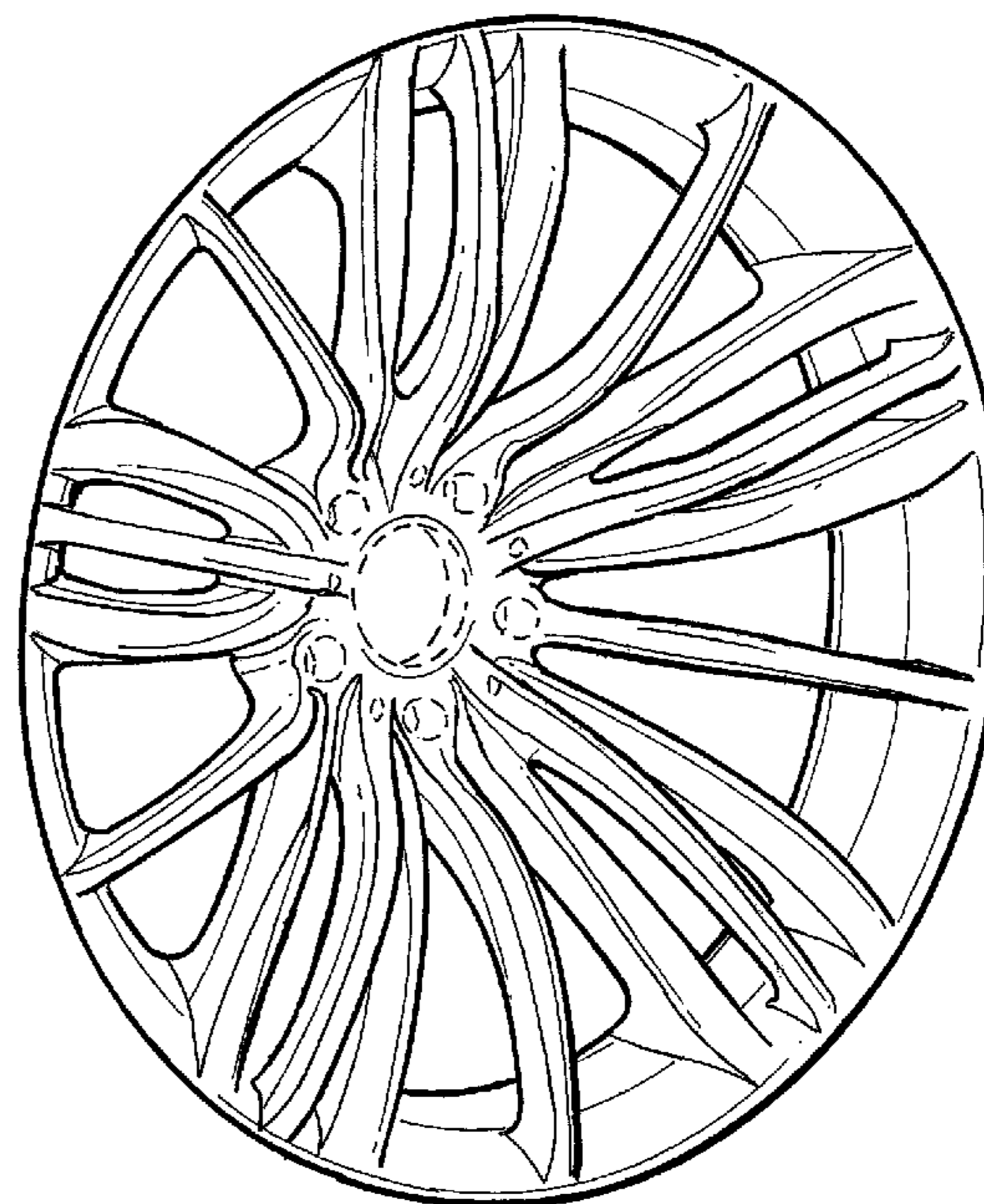
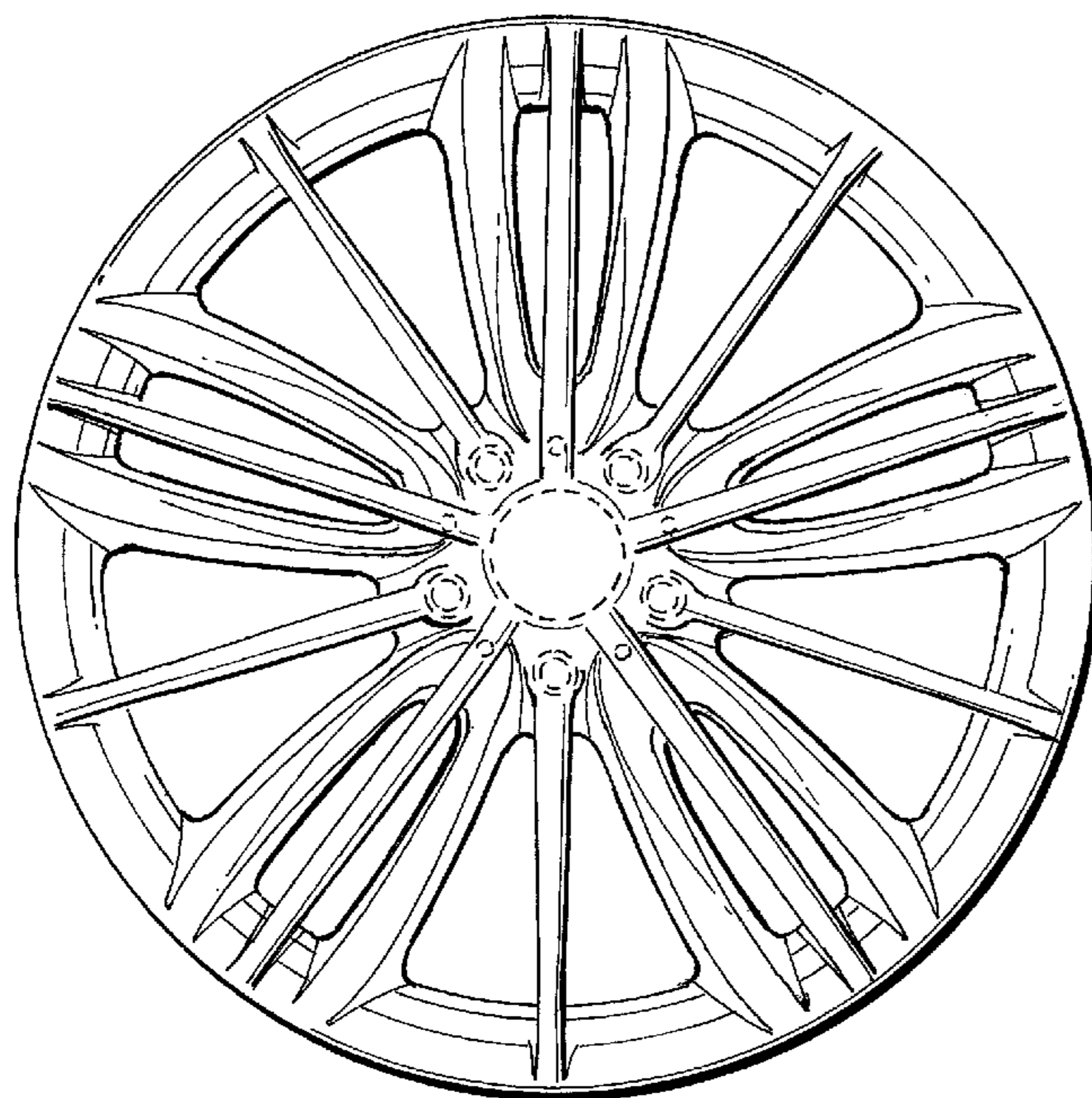
This application is related to the following co-pending application: Application Ser. No. 29/283,807, filed August 24, 2007, and entitled Front Face of a Vehicle Wheel.

FIG. 1 is a front view of a front face of a vehicle wheel according to our novel design; and,

FIG. 2 is a perspective view thereof.

The broken lines are for illustrative purposes only and form no part of the claimed design.

**1 Claim, 1 Drawing Sheet**



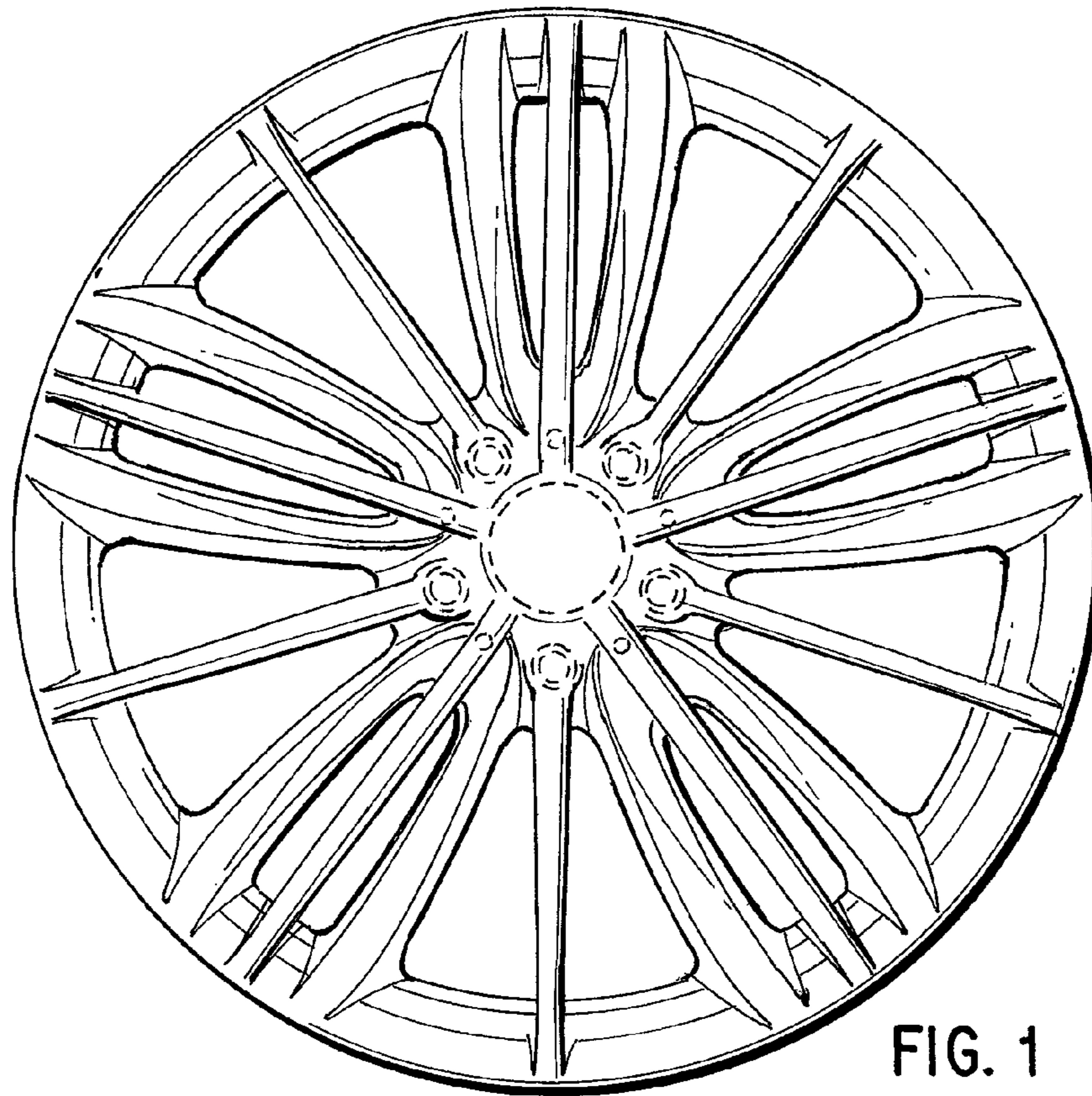


FIG. 1

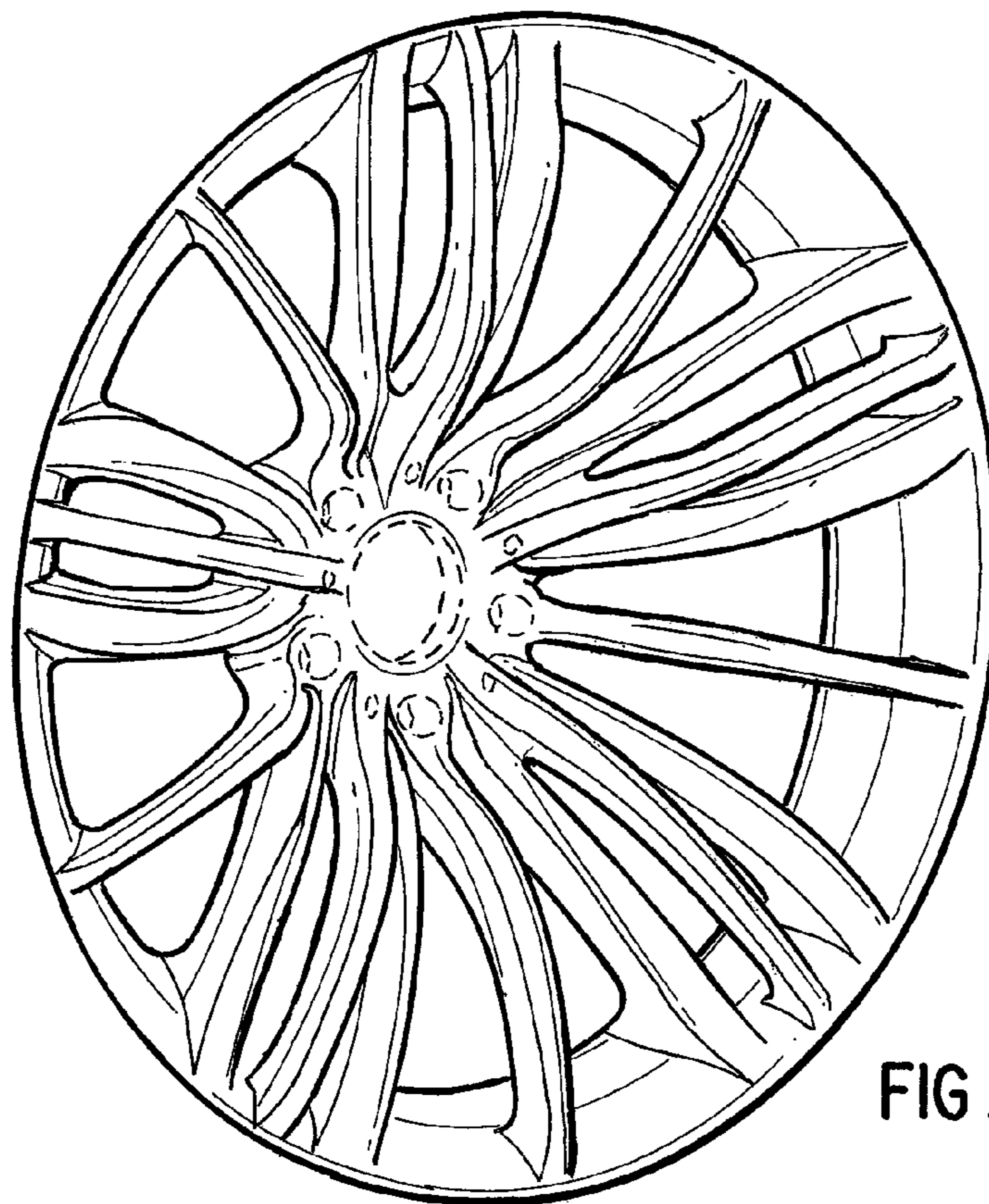


FIG. 2