



US00D567737S

(12) **United States Design Patent**
Kim

(10) **Patent No.:** **US D567,737 S**

(45) **Date of Patent:** **** Apr. 29, 2008**

(54) **AUTOMOTIVE WHEEL**

(75) Inventor: **Paul J. Kim**, Industry, CA (US)

(73) Assignee: **The Wheel Group**, Industry, CA (US)

(**) Term: **14 Years**

(21) Appl. No.: **29/294,150**

(22) Filed: **Dec. 26, 2007**

(51) **LOC (8) Cl.** **12-16**

(52) **U.S. Cl.** **D12/209**

(58) **Field of Classification Search** D12/204-213;
301/37.101, 64.101, 65, 64.201

See application file for complete search history.

(56) **References Cited**

U.S. PATENT DOCUMENTS

- D432,067 S * 10/2000 Tsai D12/209
- D461,754 S * 8/2002 Hoshino D12/209
- D510,719 S * 10/2005 Noble D12/211
- D520,929 S * 5/2006 Matei et al. D12/209

- D526,261 S * 8/2006 Ohta D12/209
- D532,735 S * 11/2006 Looho D12/209
- D535,932 S * 1/2007 Lorinser D12/209
- D538,728 S * 3/2007 Pfeiffer D12/209
- D549,633 S * 8/2007 Sycha D12/209
- D553,066 S * 10/2007 Young D12/209

* cited by examiner

Primary Examiner—Stacia Cadmus

(57) **CLAIM**

The ornamental design for an automotive wheel, as shown and described.

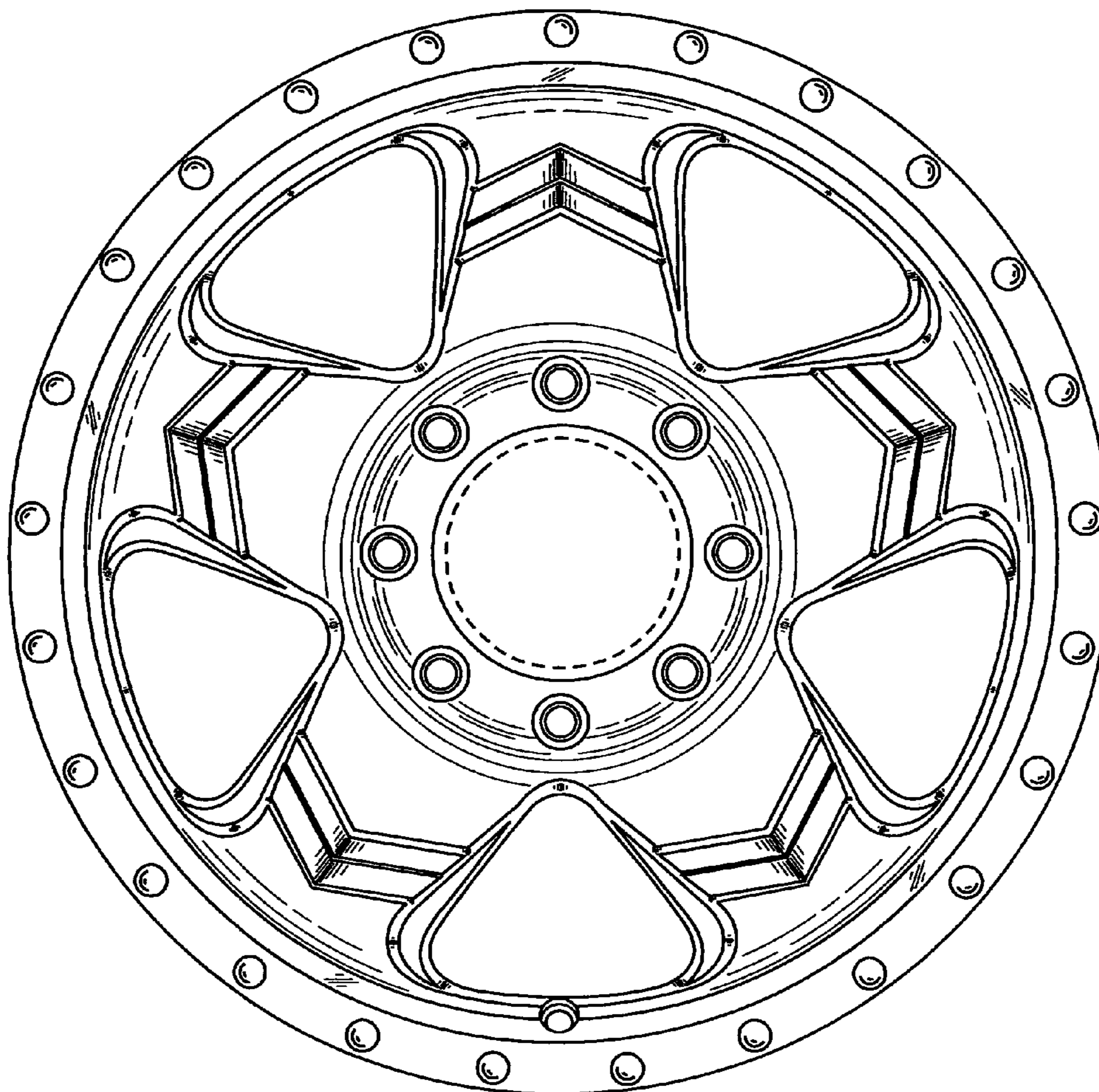
DESCRIPTION

FIG. 1 is a perspective view of an automotive wheel showing my new design; and,

FIG. 2 is a front elevational view of an automotive wheel showing the design herein described.

The broken lines are for illustrative purposes only, and form no part of the claimed design.

1 Claim, 2 Drawing Sheets



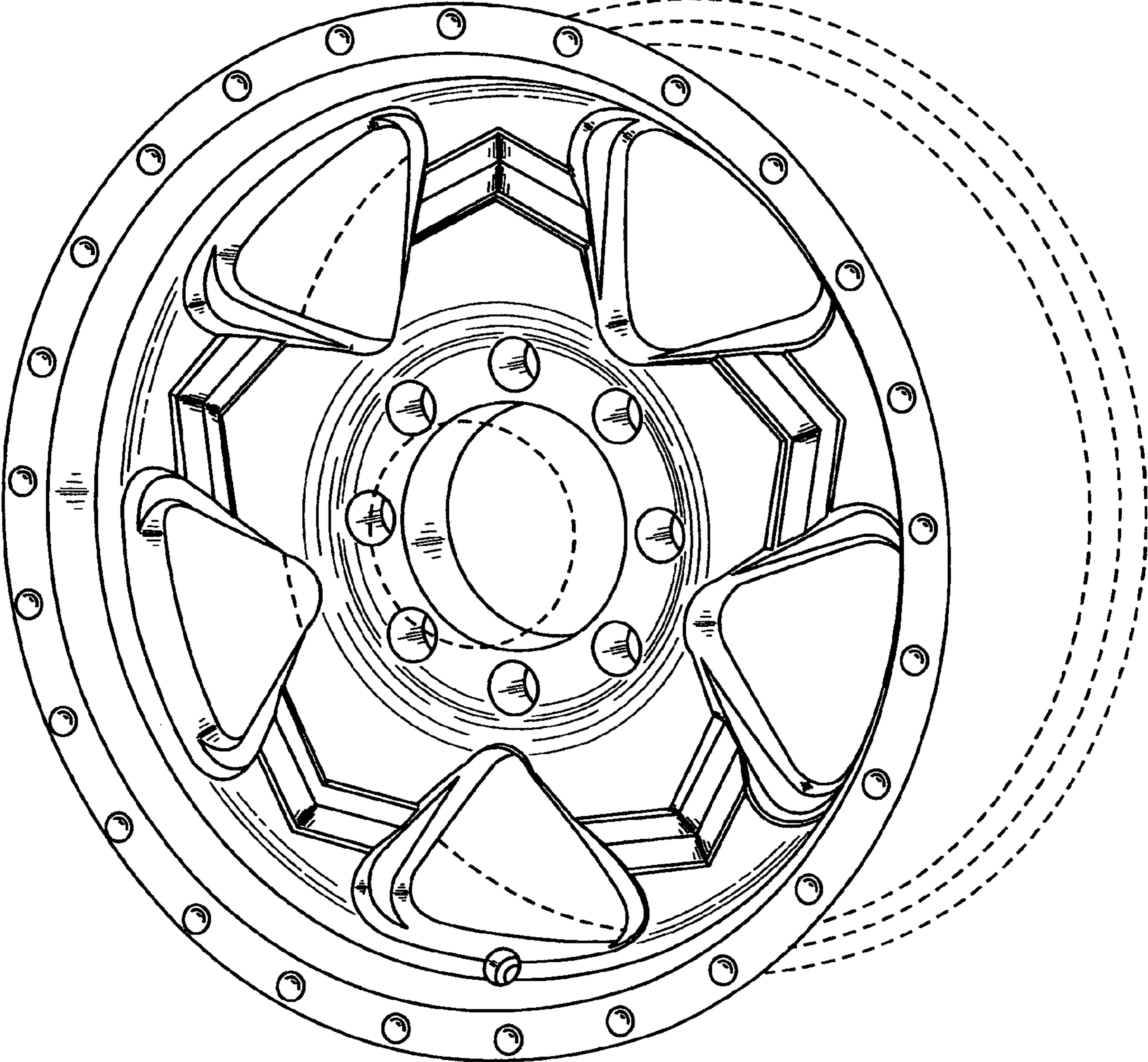


Fig. 1

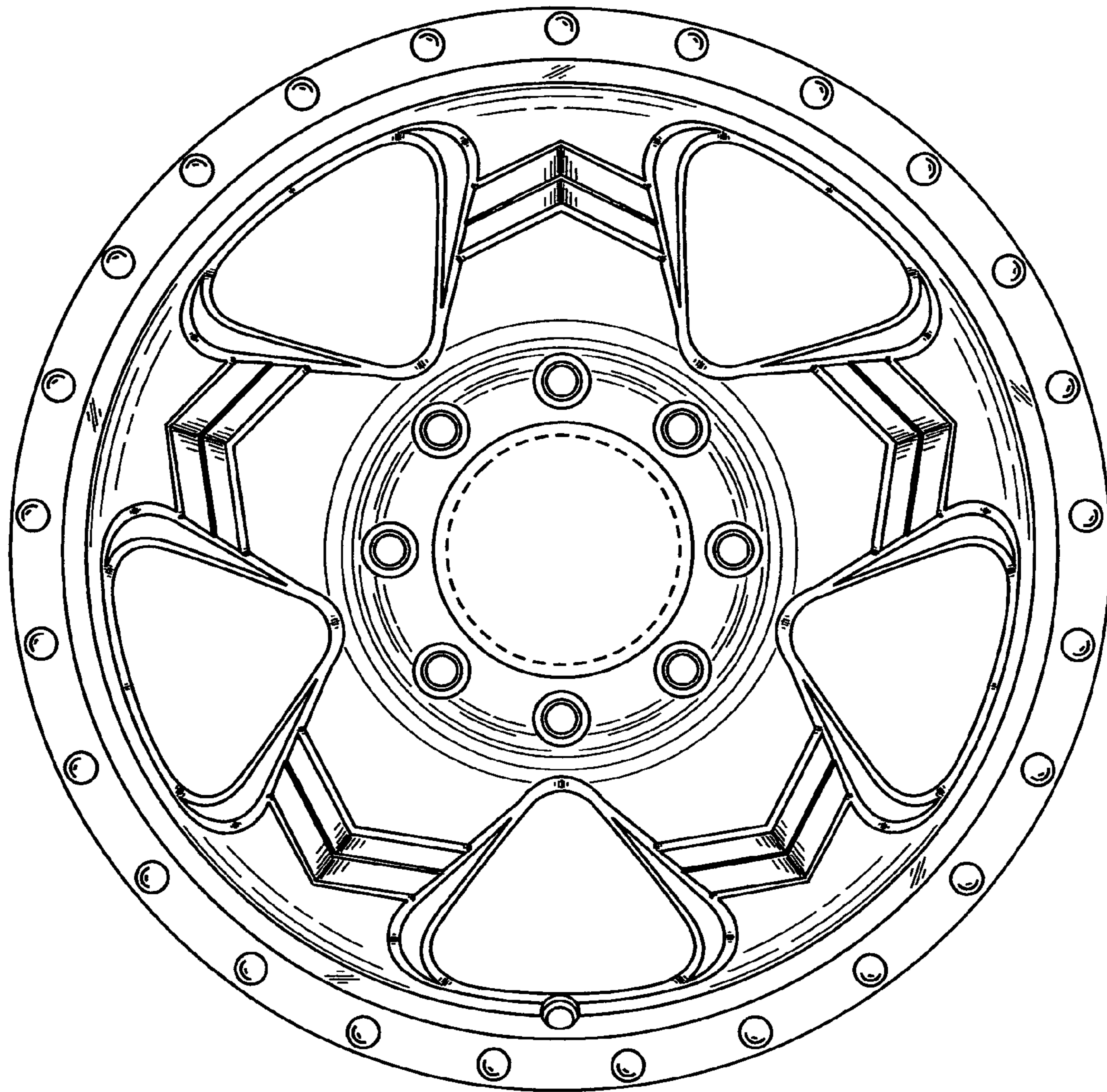


Fig. 2