



US00D567735S

(12) **United States Design Patent**
Young

(10) **Patent No.:** **US D567,735 S**

(45) **Date of Patent:** **** Apr. 29, 2008**

(54) **AUTOMOTIVE WHEEL**

(76) **Inventor:** **Philip B. Young**, 18400 E. Galle Ave.,
Industry, CA (US) 91748

(**) **Term:** **14 Years**

(21) **Appl. No.:** **29/293,307**

(22) **Filed:** **Nov. 16, 2007**

(51) **LOC (8) Cl.** **12-16**

(52) **U.S. Cl.** **D12/209**

(58) **Field of Classification Search** D12/204-213;
301/37.101, 64.101, 65, 64.201

See application file for complete search history.

(56) **References Cited**

U.S. PATENT DOCUMENTS

D433,659 S	*	11/2000	Frizzi	D12/211
D484,839 S	*	1/2004	Scheu	D12/209
D488,420 S	*	4/2004	Murkett et al.	D12/209
D493,403 S	*	7/2004	Kataoka	D12/209
D496,622 S	*	9/2004	Cheng	D12/209
D500,723 S	*	1/2005	Alimchandani	D12/209

D506,428 S	*	6/2005	Hussaini et al.	D12/209
D512,359 S	*	12/2005	Ettensberger	D12/209
D520,431 S	*	5/2006	Truebsbach	D12/209
D528,493 S	*	9/2006	Stacy	D12/209
D533,822 S	*	12/2006	Looho	D12/209
D549,150 S	*	8/2007	Young	D12/211
D558,114 S	*	12/2007	Pollmann	D12/209

* cited by examiner

Primary Examiner—Stacia Cadmus

(57) **CLAIM**

The ornamental design for an automotive wheel, as shown and described.

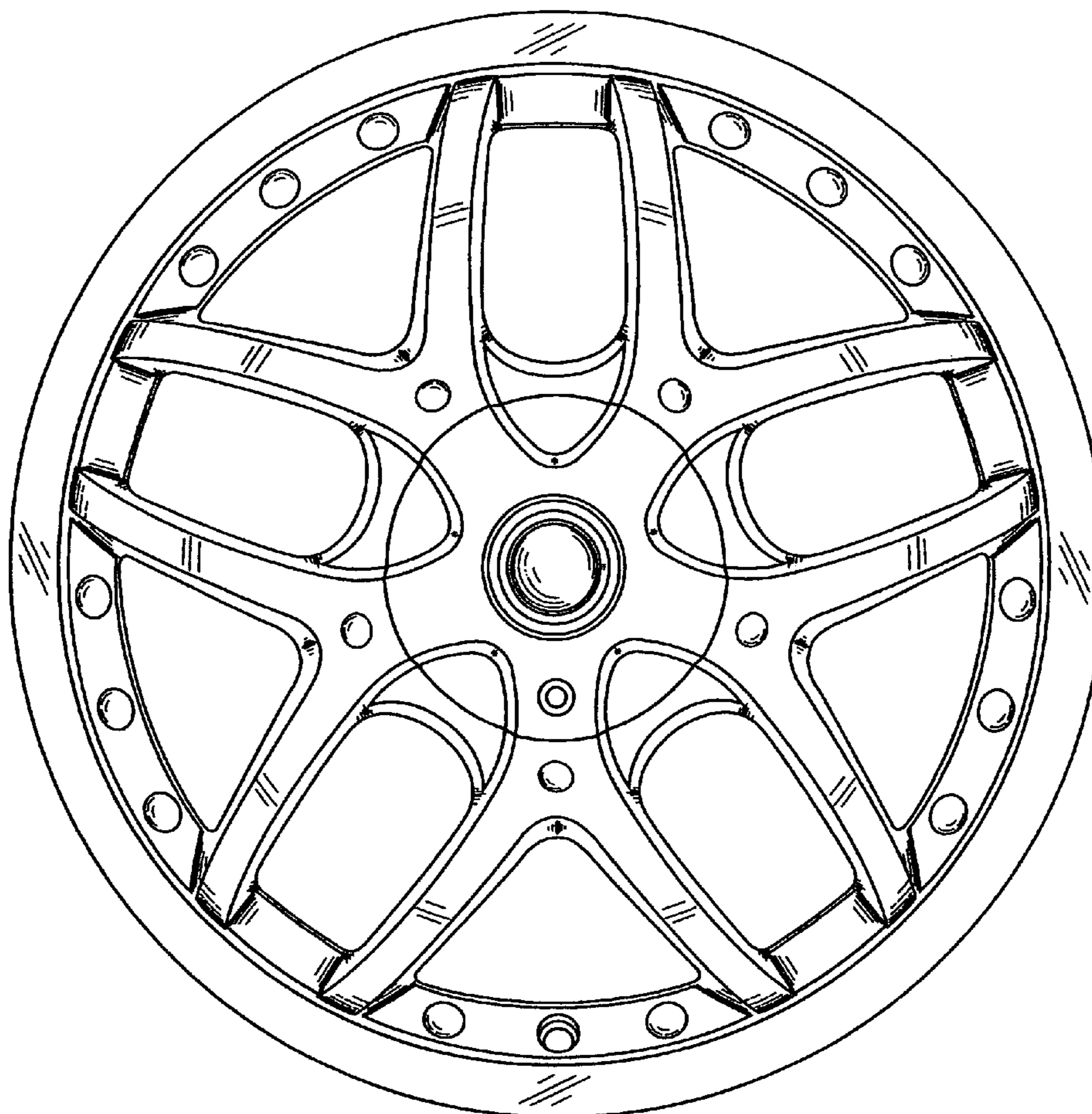
DESCRIPTION

FIG. 1 is a perspective view of an automotive wheel showing my new design; and,

FIG. 2 is a front elevational view of an automotive wheel showing the design herein described.

The broken lines showing the environment are for illustrative purposes only, and form no part of the claimed design.

1 Claim, 2 Drawing Sheets



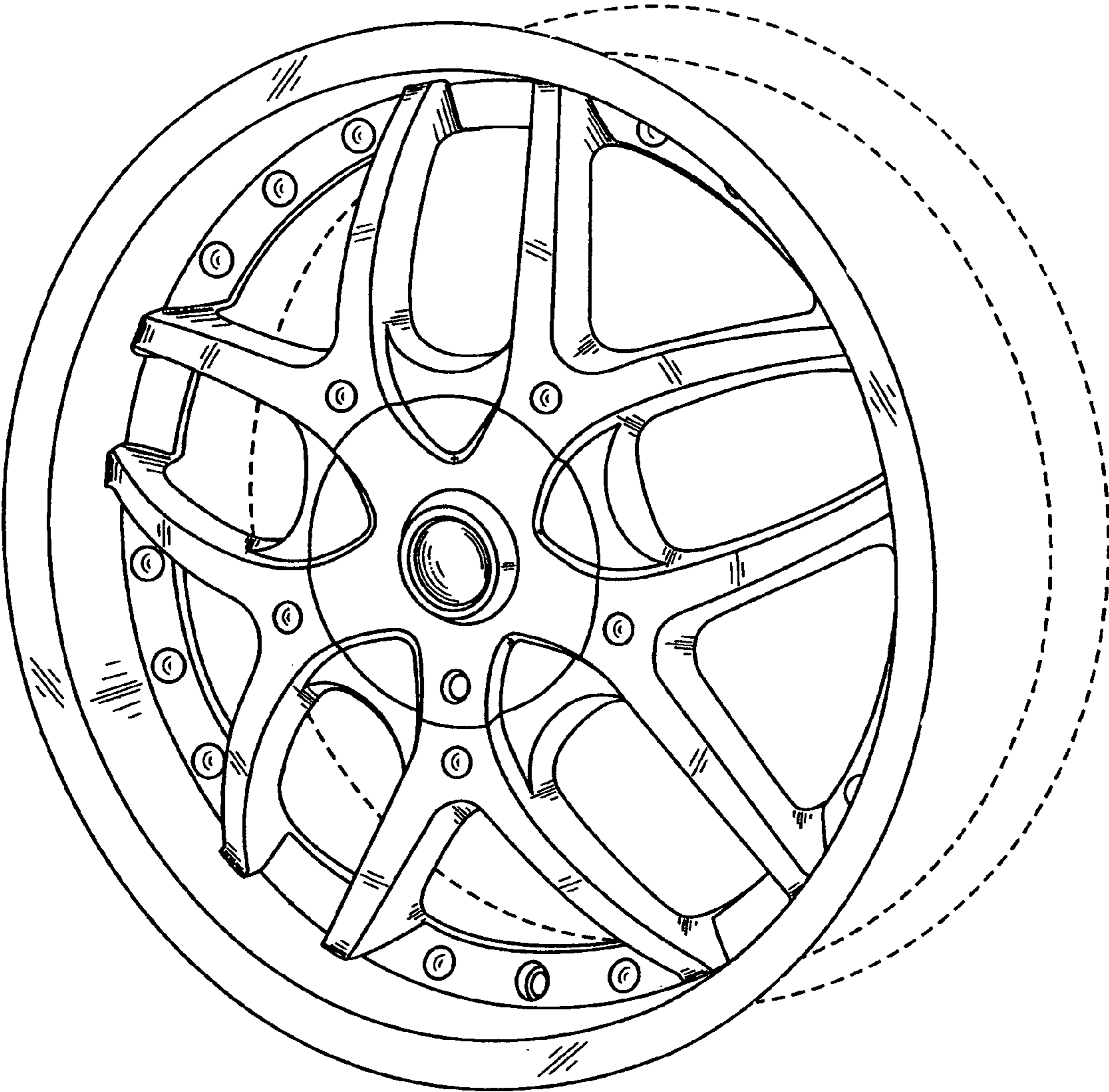


FIG. 1

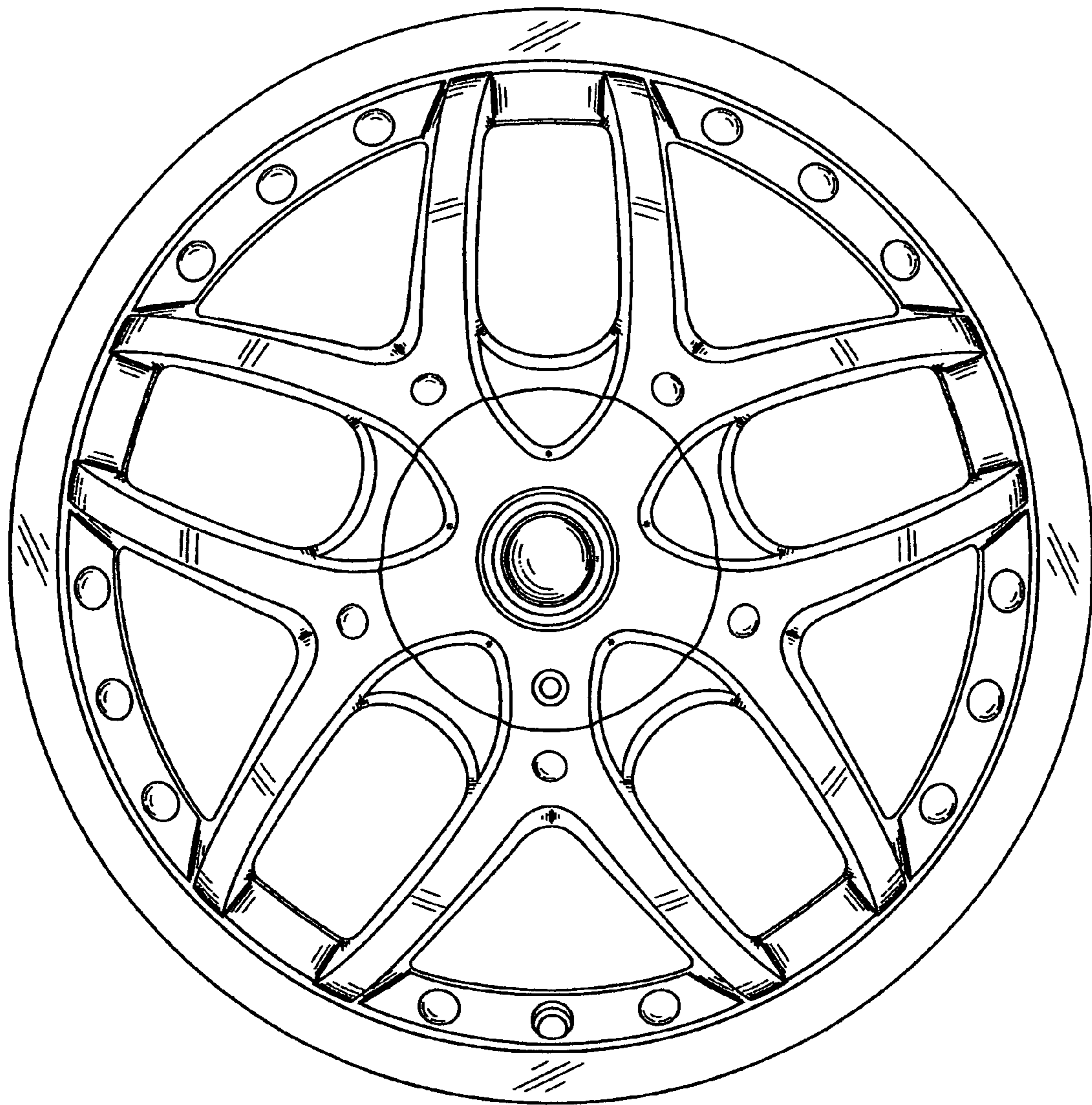


FIG.2