



US00D567734S

(12) **United States Design Patent**
Amadio et al.

(10) **Patent No.:** **US D567,734 S**

(45) **Date of Patent:** **** Apr. 29, 2008**

(54) **WHEEL**

(75) Inventors: **Donald W. Amadio**, Oaklyn, NJ (US);
Edward Jabbour, Jr.,
Hastings-on-Hudson, NY (US)

(73) Assignee: **Ridemakerz, LLC**, Falls Church, VA
(US)

(**) Term: **14 Years**

(21) Appl. No.: **29/278,984**

(22) Filed: **Apr. 17, 2007**

(51) **LOC (8) Cl.** **12-16**

(52) **U.S. Cl.** **D12/209**

(58) **Field of Classification Search** D12/204-213;
301/37.101, 64.101, 65, 64.201
See application file for complete search history.

(56) **References Cited**

U.S. PATENT DOCUMENTS

D393,240 S *	4/1998	Escobedo	D12/213
D476,940 S *	7/2003	Cochran	D12/209
D495,647 S *	9/2004	Cochran	D12/209
D495,650 S *	9/2004	Wang	D12/209

D499,370 S *	12/2004	Albert	D12/209
D504,376 S *	4/2005	Tsai	D12/204
D511,130 S *	11/2005	McCowin	D12/209
D529,428 S *	10/2006	Celestin	D12/209
D533,494 S *	12/2006	Starling et al.	D12/209
D533,823 S *	12/2006	Starling et al.	D12/209
D535,237 S *	1/2007	Conner	D12/209
D543,140 S *	5/2007	Schulisi	D12/209

* cited by examiner

Primary Examiner—Stacia Cadmus

(74) *Attorney, Agent, or Firm*—Mark E. Stallion; Husch
Blackwell Sanders LLP

(57) **CLAIM**

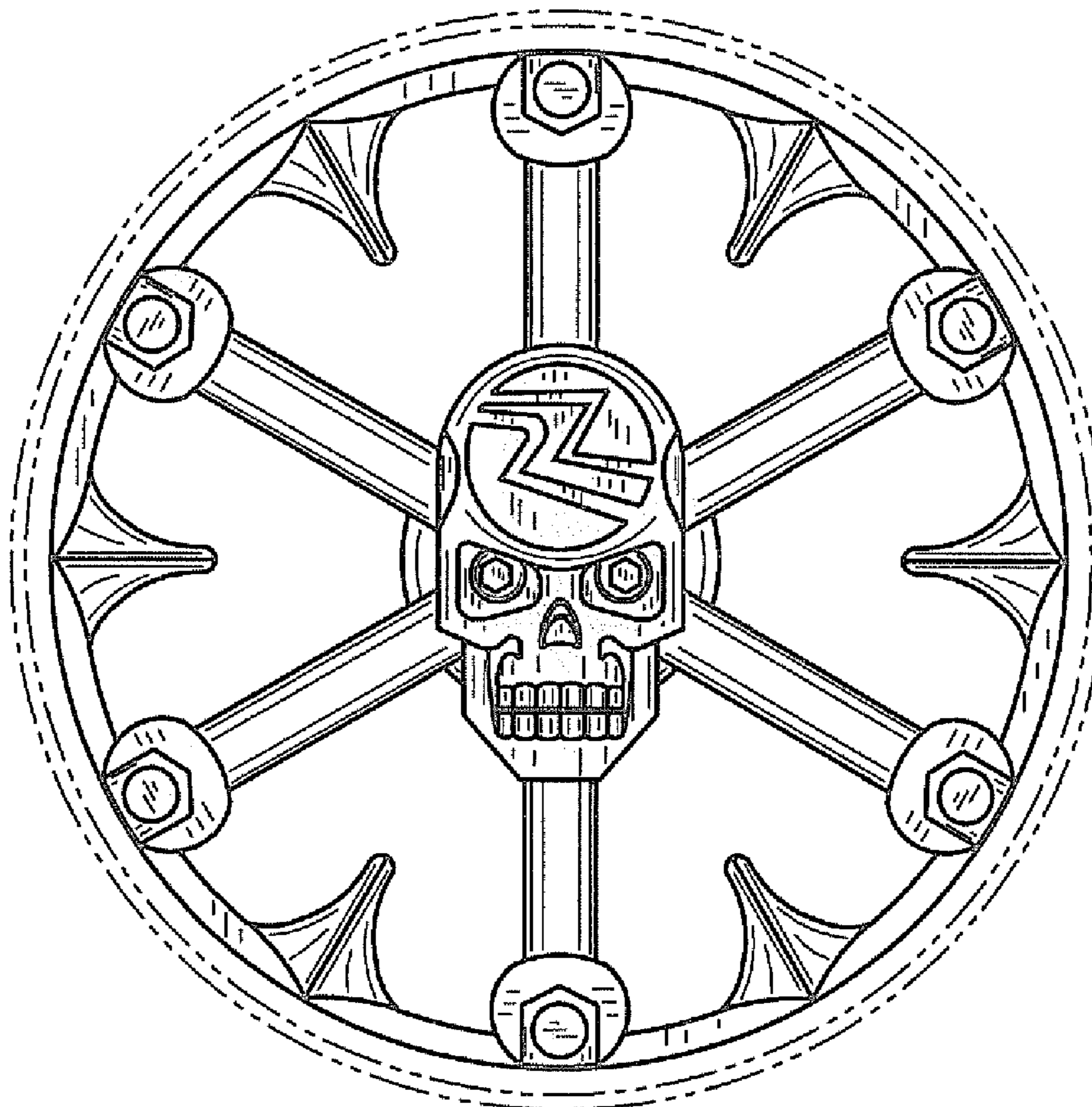
The ornamental design for a wheel, as shown and described.

DESCRIPTION

FIG. 1 is a perspective view of a wheel showing my design;
FIG. 2 is a front elevation view thereof; and,
FIG. 3 is a rear elevation view thereof.

The broken line disclosure is for illustrative purposes only
and form no part of the claimed design.

1 Claim, 1 Drawing Sheet



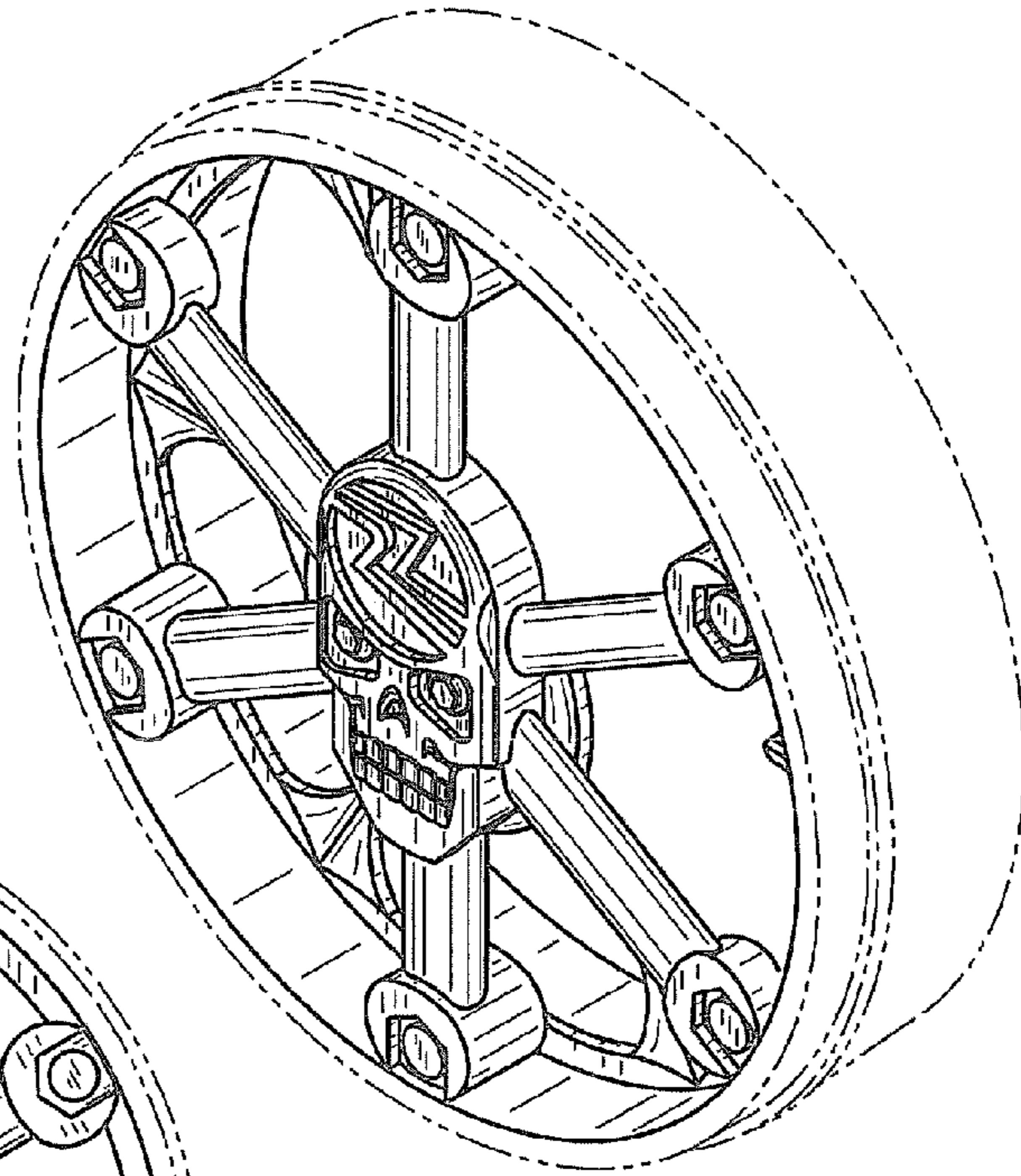


FIG. 1

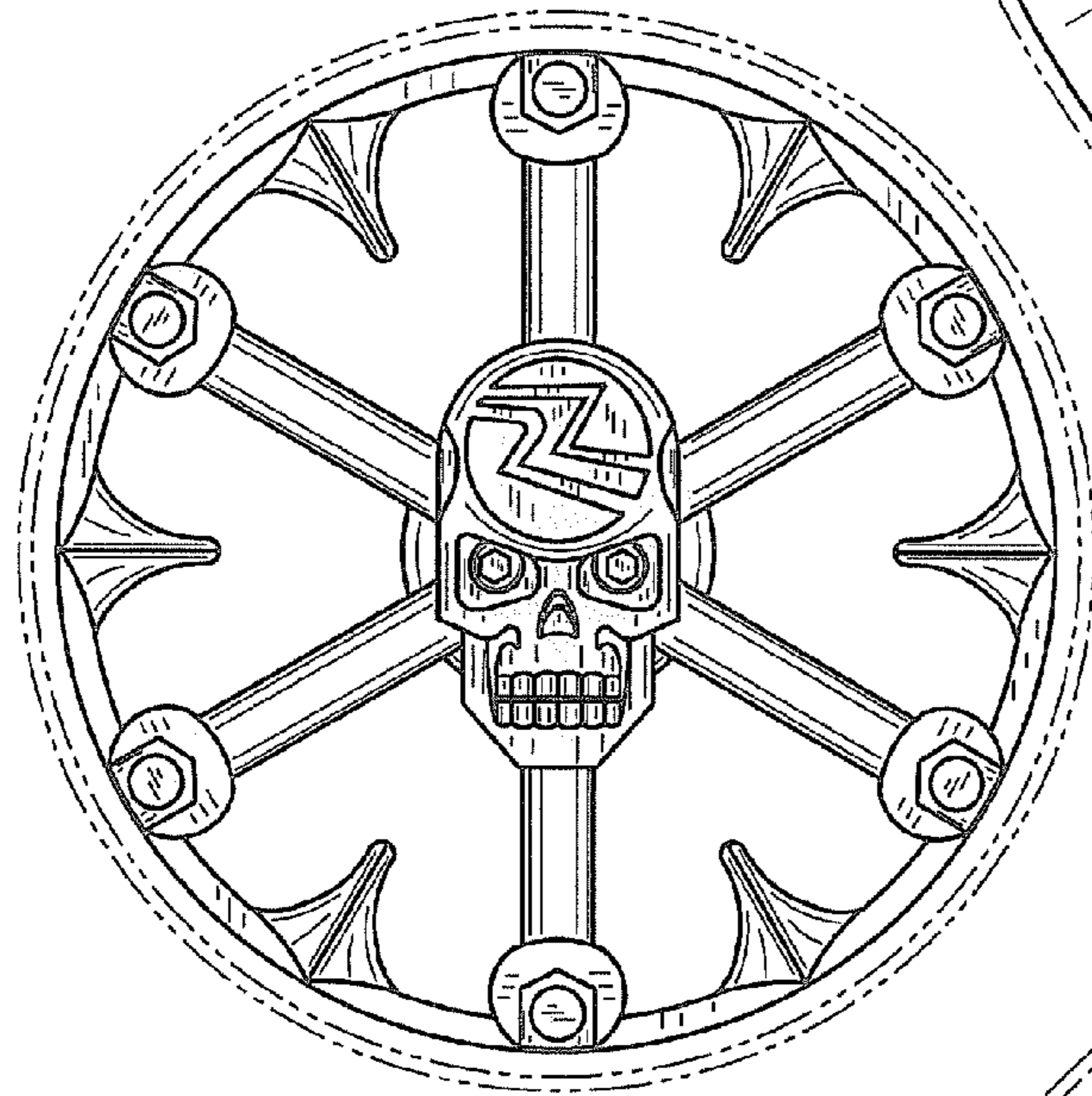


FIG. 2

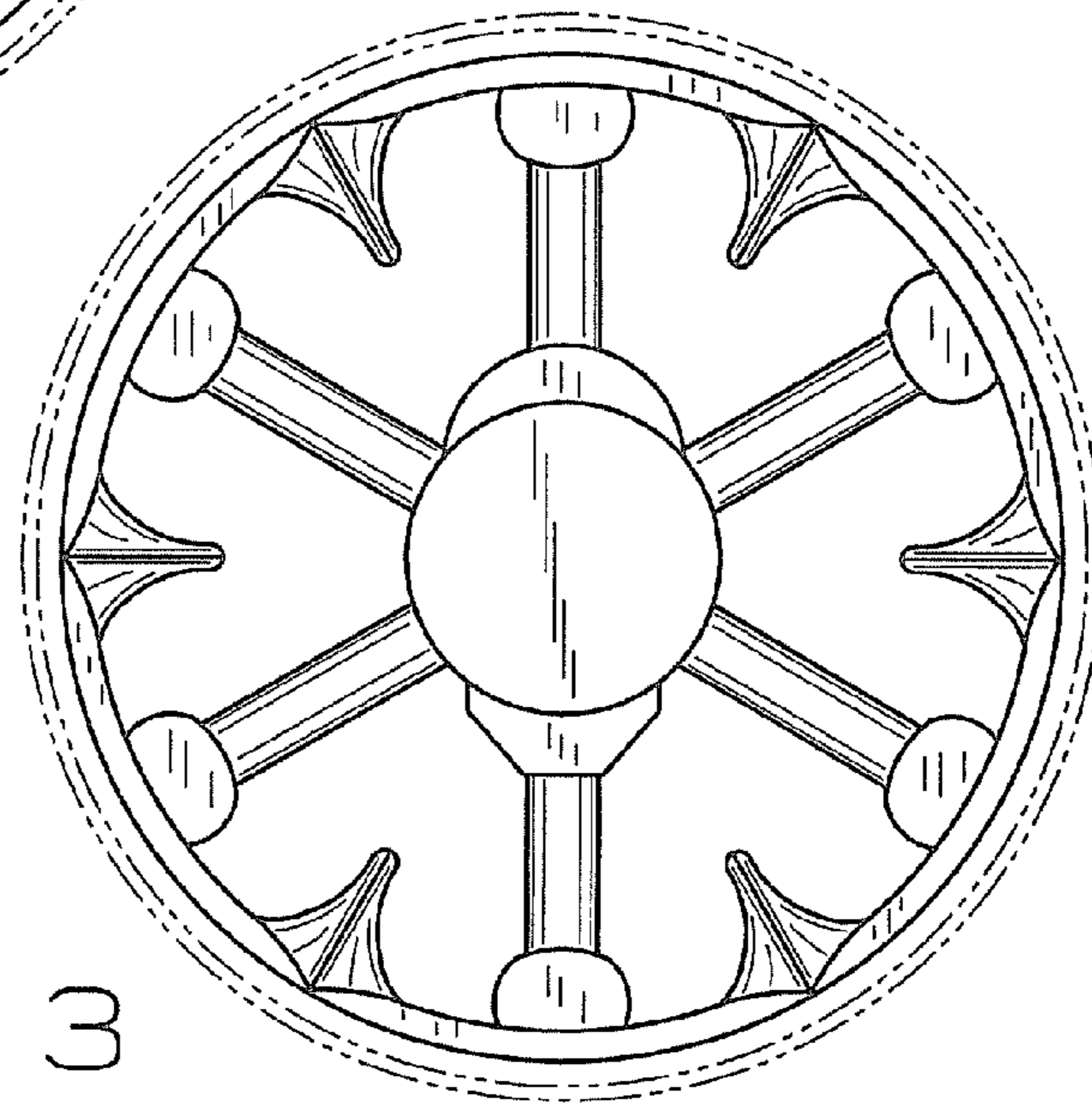


FIG. 3