



US00D567728S

(12) **United States Design Patent**
Huston

(10) **Patent No.:** **US D567,728 S**

(45) **Date of Patent:** **** Apr. 29, 2008**

(54) **GAS CAP**

(76) **Inventor:** **Fred M. Huston**, 709 E. Cochran St.,
Unit C, Simi Valley, CA (US) 93065

(**) **Term:** **14 Years**

(21) **Appl. No.:** **29/282,969**

(22) **Filed:** **Aug. 2, 2007**

(51) **LOC (8) Cl.** **12-16**

(52) **U.S. Cl.** **D12/197**

(58) **Field of Classification Search** D12/197,
D12/110, 114, 198, 218, 201; D7/398, 598,
D7/619; D8/107-108, 310-312; D9/443-444,
D9/451-454, 435, 201; 220/235, 288, 86.1-86.3,
220/12, 32-33, 203.4, DIG. 5, 200, 304,
220/DIG. 33; 411/349, 553, 411, 300; 280/830,
280/833, 835; D23/260; D15/150; 137/592;
141/383, 312, 301; 251/129.03; 70/423
See application file for complete search history.

(56) **References Cited**

U.S. PATENT DOCUMENTS

D300,129 S * 3/1989 Whitley, II D12/197

D402,248 S * 12/1998 Triebold D12/197
D453,011 S * 1/2002 Canady D12/197
D455,107 S * 4/2002 Zimmerman D12/197
D508,225 S * 8/2005 Scheepers et al. D12/197
D537,024 S * 2/2007 Shibuta et al. D12/197

* cited by examiner

Primary Examiner—Stacia Cadmus

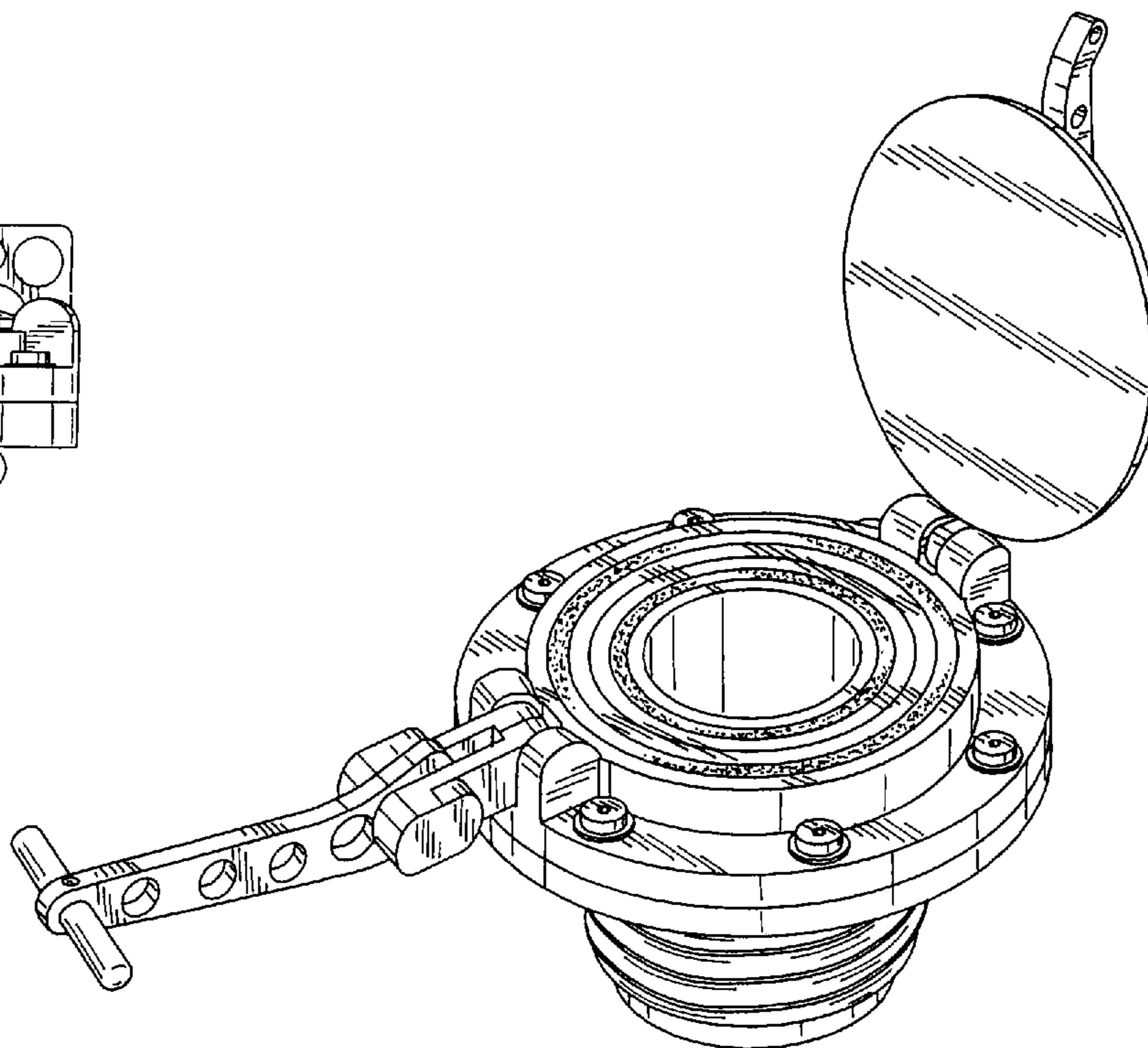
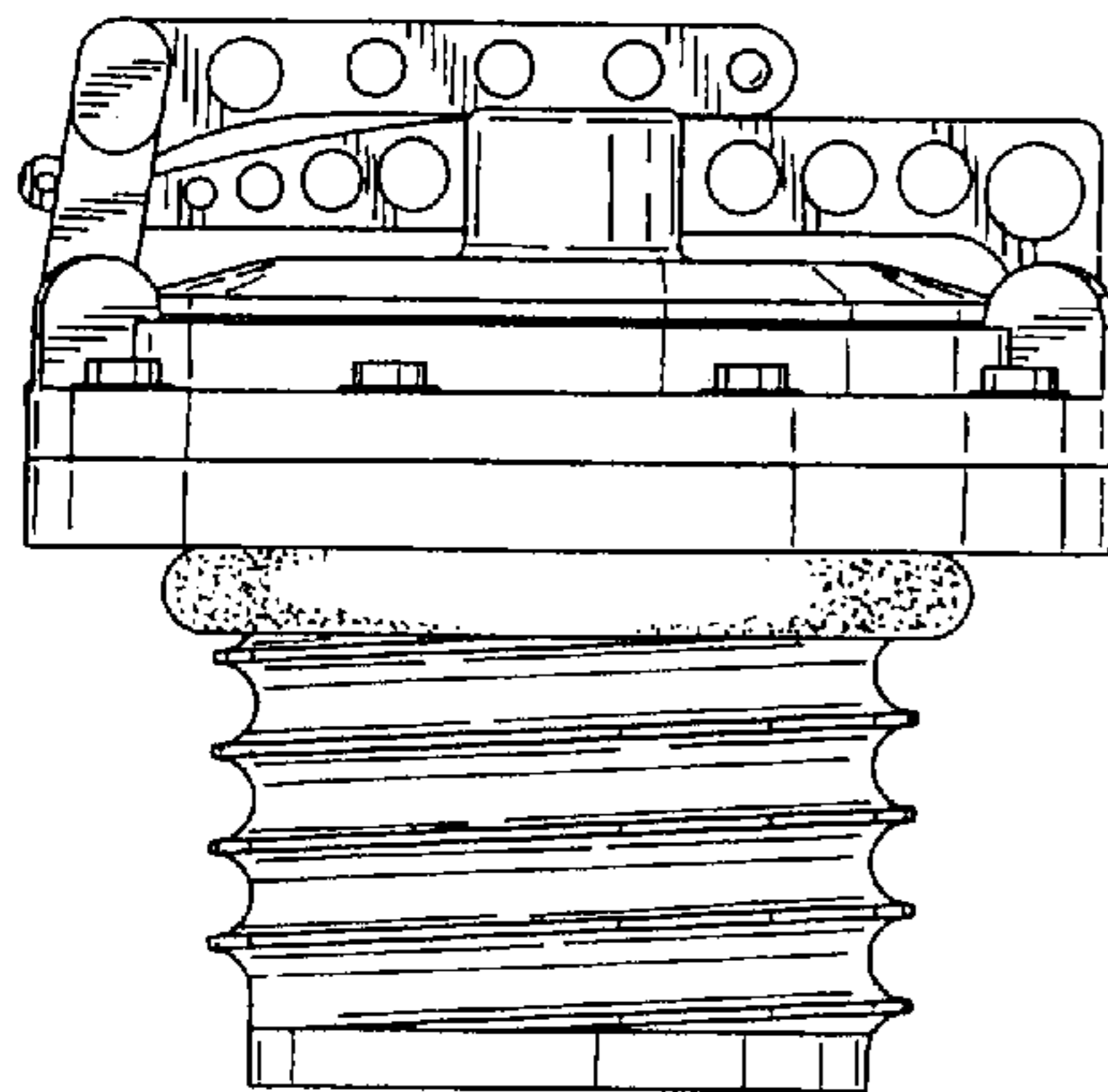
(57) **CLAIM**

The ornamental design for a gas cap, as shown and described.

DESCRIPTION

FIG. 1 left side view of gas cap in a closed position;
FIG. 2 front view of gas cap in a closed position;
FIG. 3 rear view of gas cap in a closed position;
FIG. 4 right side view of gas cap in a closed position;
FIG. 5 top view of gas cap in a closed position;
FIG. 6 bottom view of gas cap in a closed position; and,
FIG. 7 perspective view of gas cap in an open position.

1 Claim, 3 Drawing Sheets



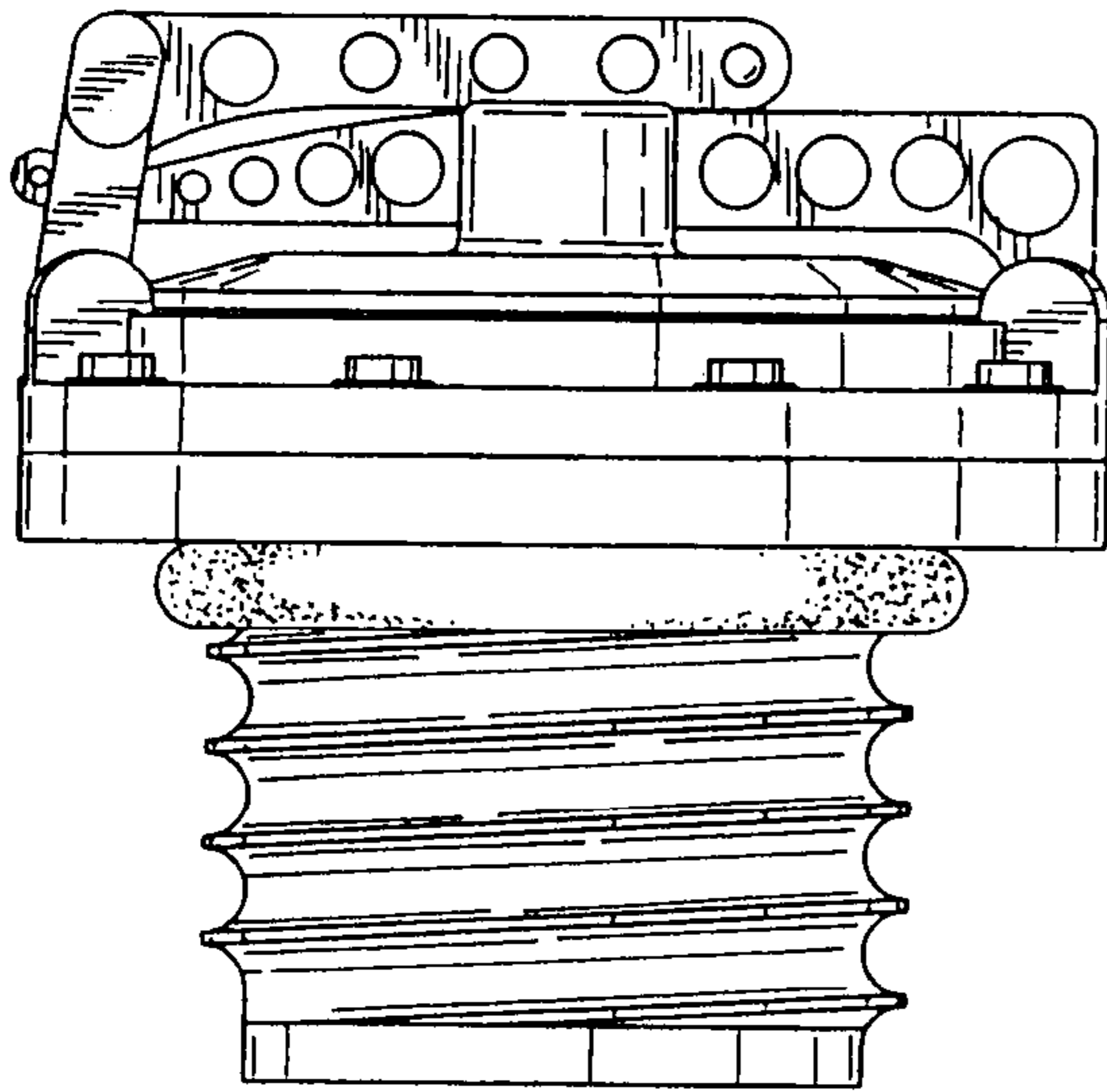


FIG. 1

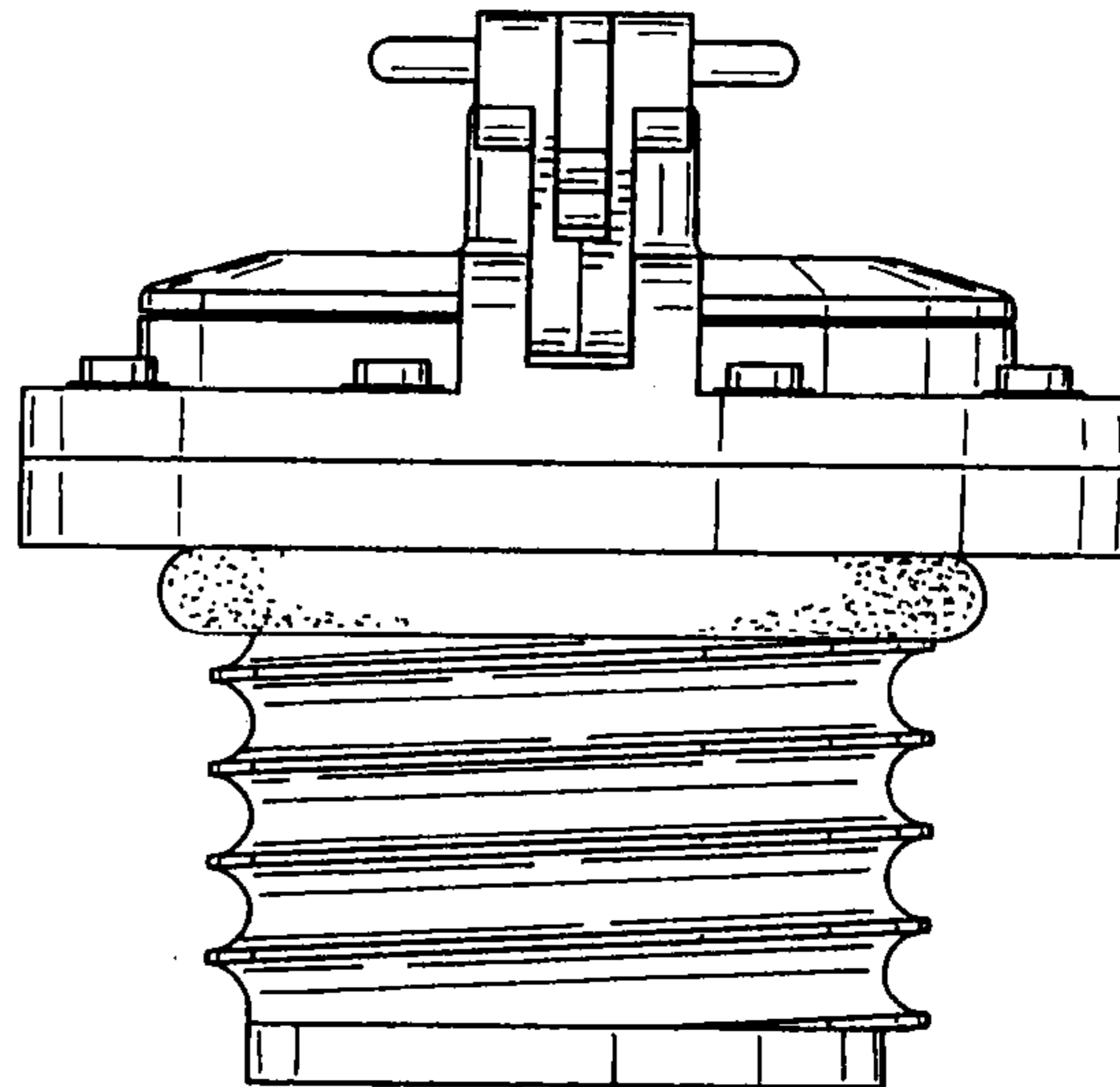


FIG. 2

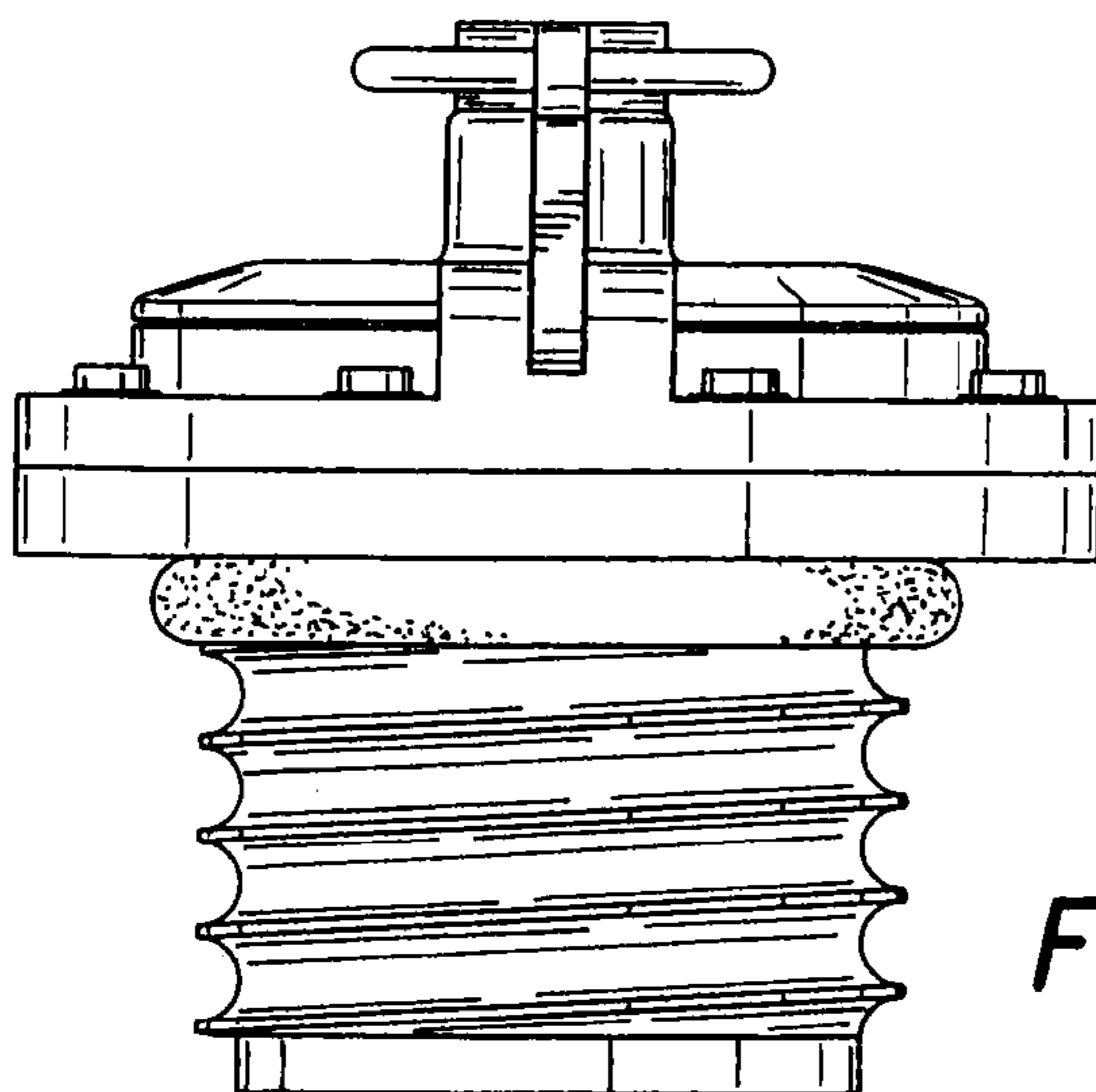


FIG. 3

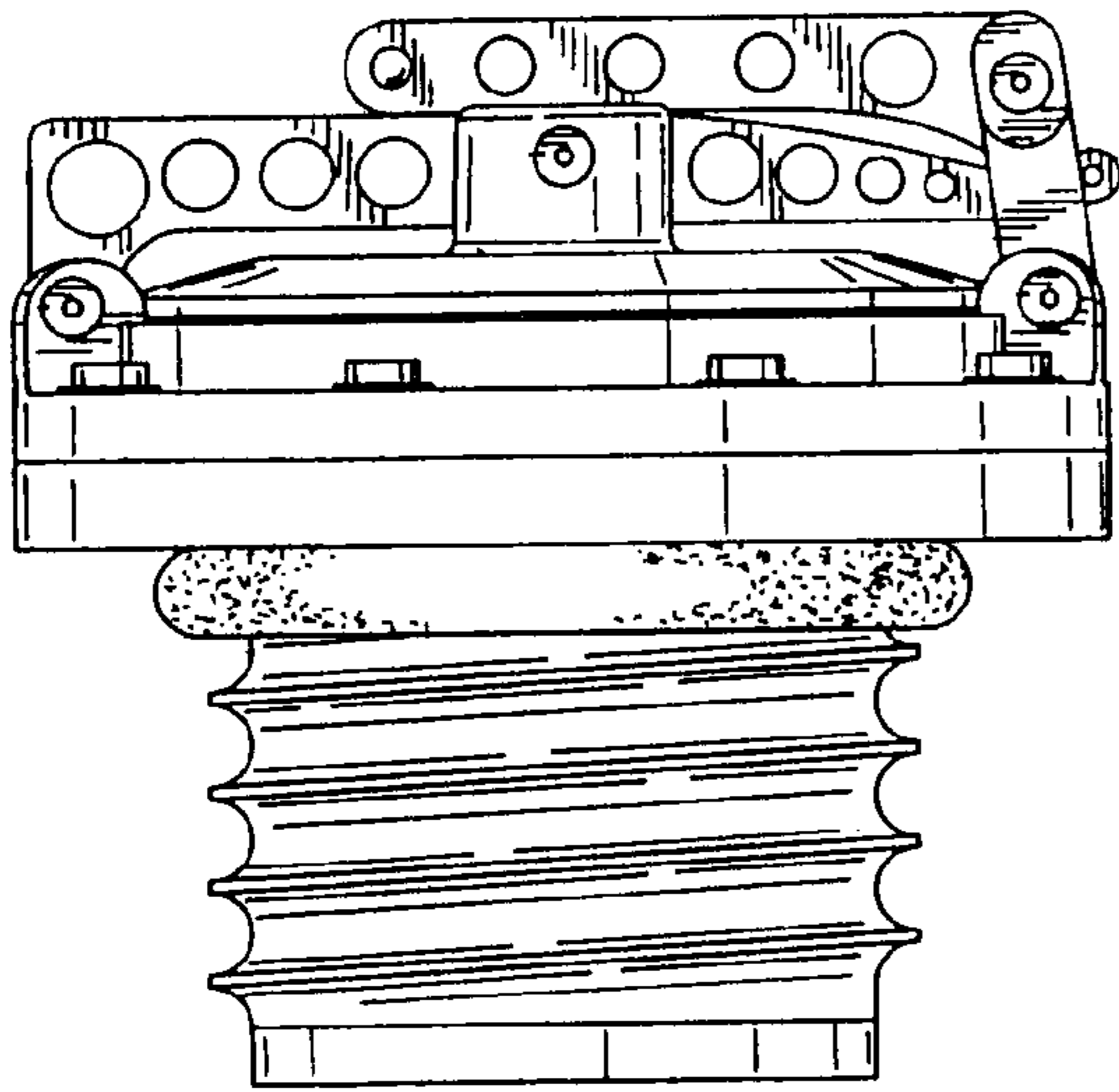


FIG. 4

FIG. 5

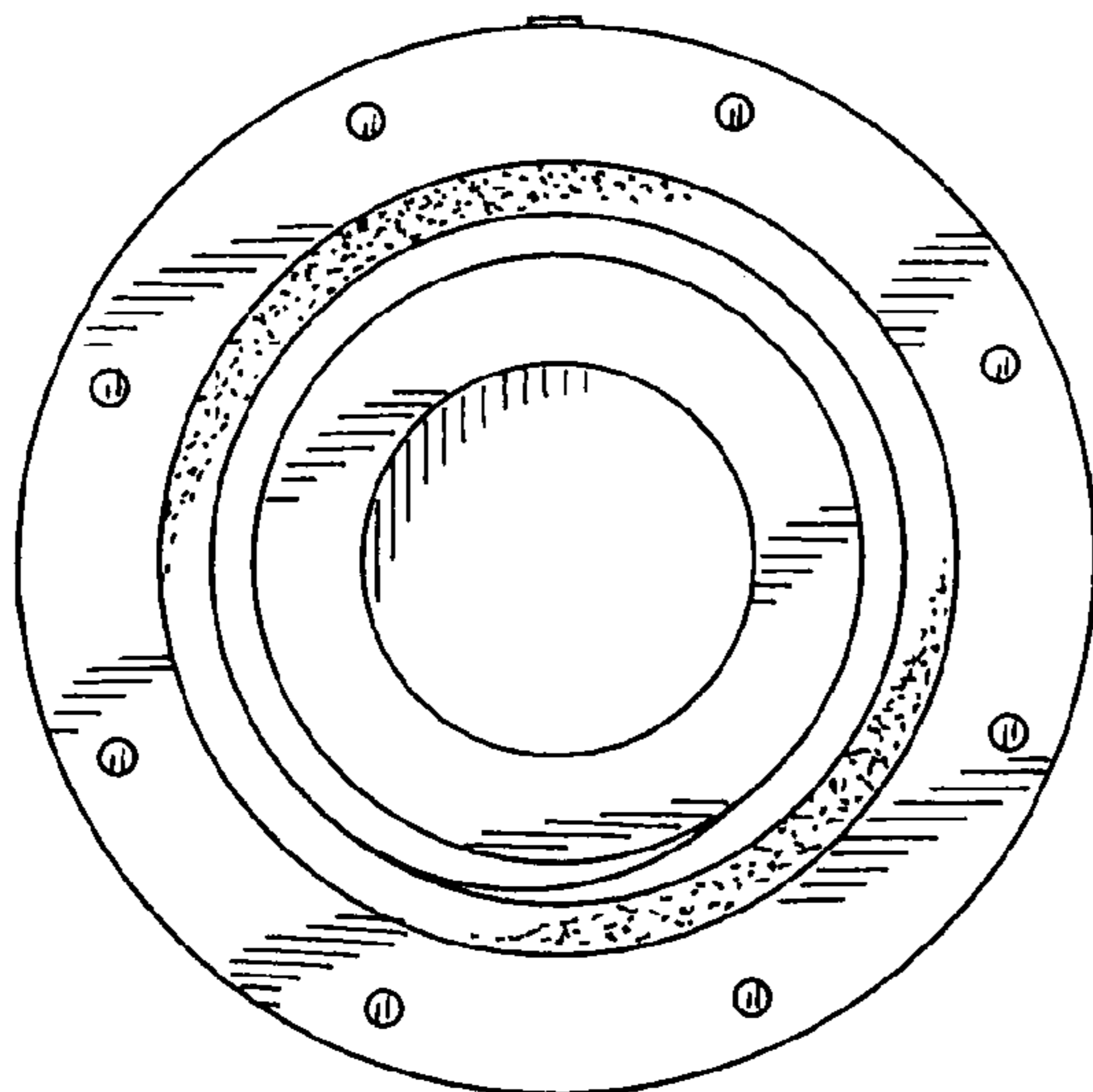
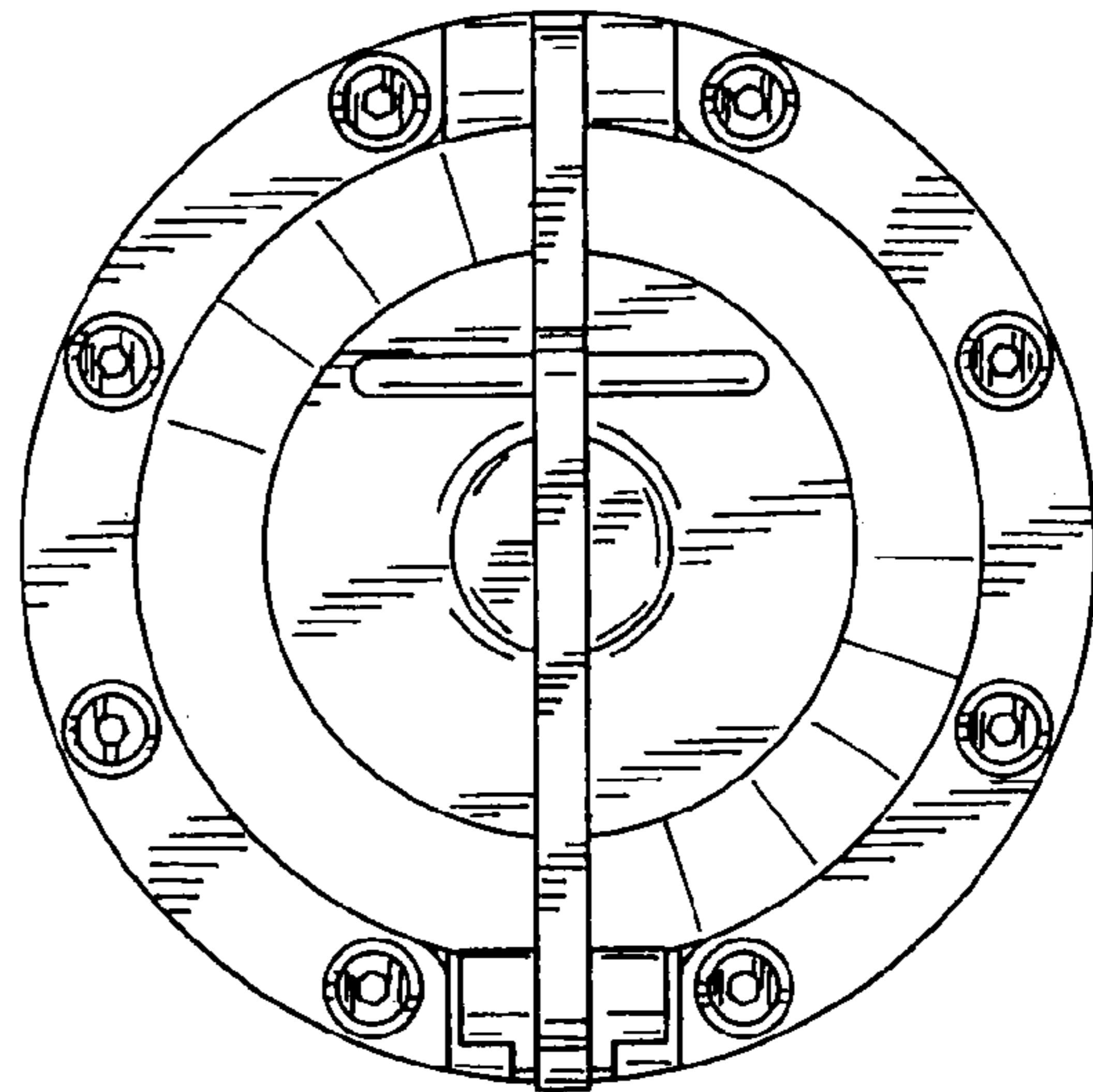


FIG. 6

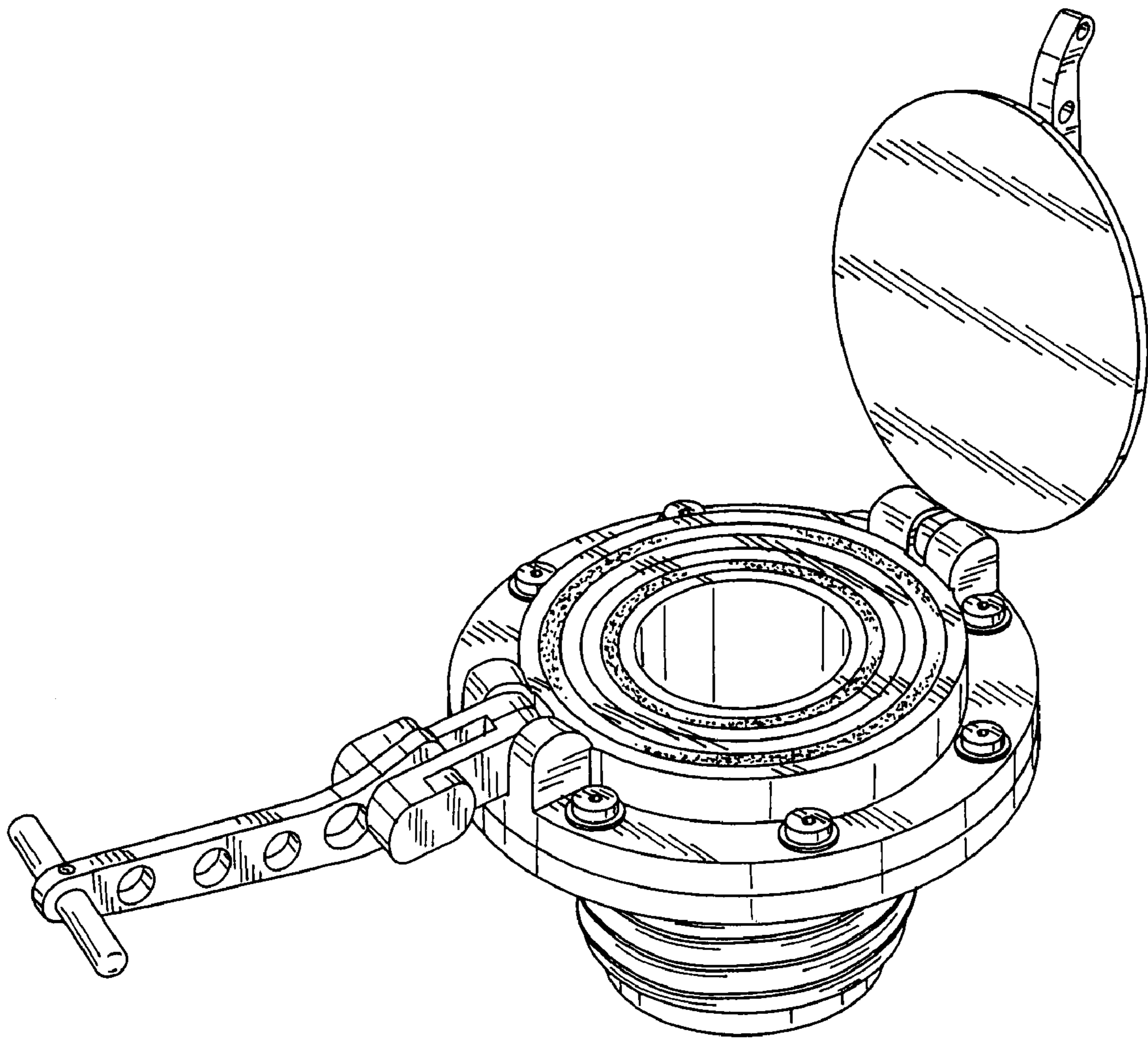


FIG. 7