



US00D567727S

(12) **United States Design Patent**  
**Kawaguchi et al.**

(10) **Patent No.:** **US D567,727 S**

(45) **Date of Patent:** **\*\* Apr. 29, 2008**

(54) **INSTRUMENT PANEL FOR A TRUCK VEHICLE**

(75) Inventors: **Yukinori Kawaguchi**, Saitama (JP);  
**Mike Chan**, Torrance, CA (US)

(73) Assignee: **Honda Motor Co., Ltd.**, Tokyo (JP)

(\*\*) Term: **14 Years**

(21) Appl. No.: **29/274,503**

(22) Filed: **Apr. 27, 2007**

(51) **LOC (8) Cl.** ..... **12-16**

(52) **U.S. Cl.** ..... **D12/192**

(58) **Field of Classification Search** ..... D12/192;  
180/90; 280/750-752; 296/190-191, 70;  
D10/46, 102, 98, 122-127; D15/17, 28;  
D34/34, 35

See application file for complete search history.

(56) **References Cited**

**U.S. PATENT DOCUMENTS**

D397,977 S	*	9/1998	Hellhake et al.	.....	D12/192
D439,556 S	*	3/2001	Beigel	.....	D12/192
D494,115 S	*	8/2004	McPeck et al.	.....	D12/192
D499,998 S	*	12/2004	Tanaka et al.	.....	D12/192
D512,357 S	*	12/2005	Schuttera	.....	D12/192
D514,995 S	*	2/2006	Acton et al.	.....	D12/192
D515,487 S	*	2/2006	Tanaka et al.	.....	D12/192
D534,468 S	*	1/2007	Colburn et al.	.....	D12/192
D538,721 S	*	3/2007	Woodard et al.	.....	D12/192

\* cited by examiner

*Primary Examiner*—Stacia Cadmus

(74) *Attorney, Agent, or Firm*—Westerman, Hattori, Daniels & Adrian, LLP.

(57) **CLAIM**

What is claimed is; the ornamental design for, an instrument panel for a truck vehicle, as shown and described.

**DESCRIPTION**

FIG. 1 is a front right perspective view of an instrument panel for a truck vehicle, showing our new design;

FIG. 2 is a front left perspective view thereof;

FIG. 3 is a rear left perspective view thereof;

FIG. 4 is a rear right perspective view thereof;

FIG. 5 is a front elevation view thereof;

FIG. 6 is a rear elevation view thereof;

FIG. 7 is a top plan view thereof;

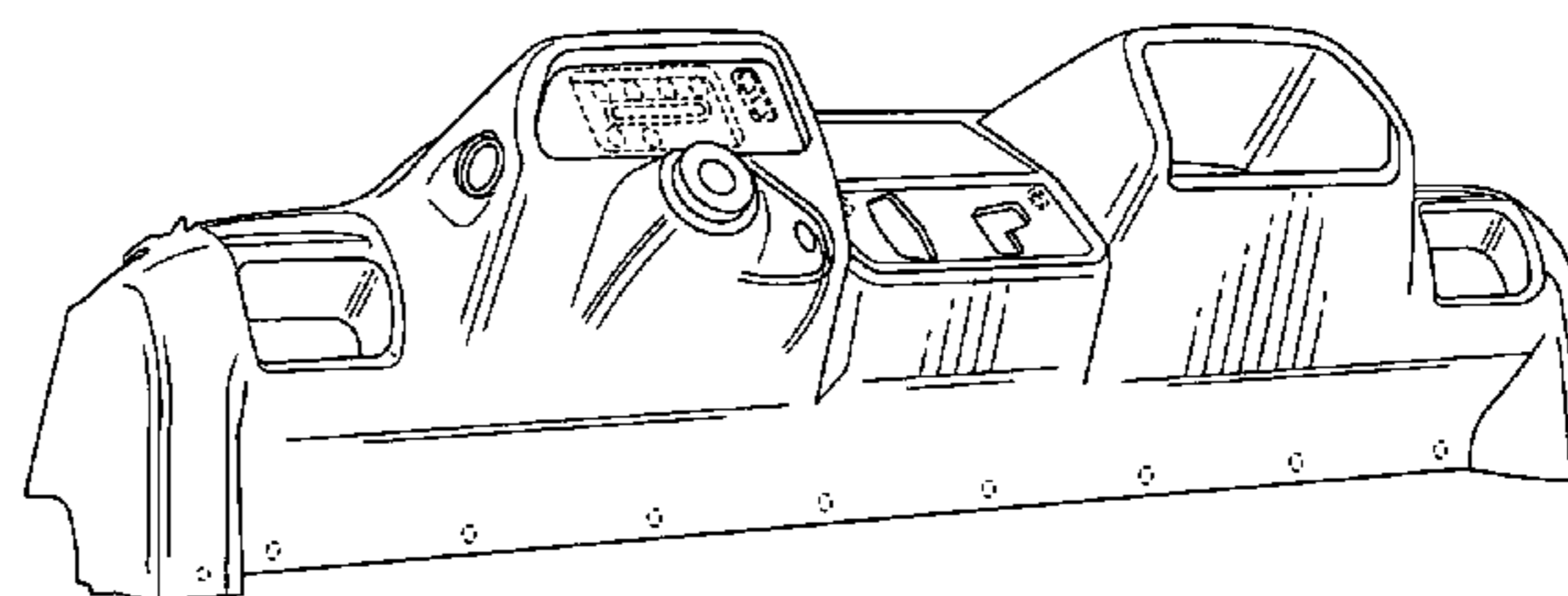
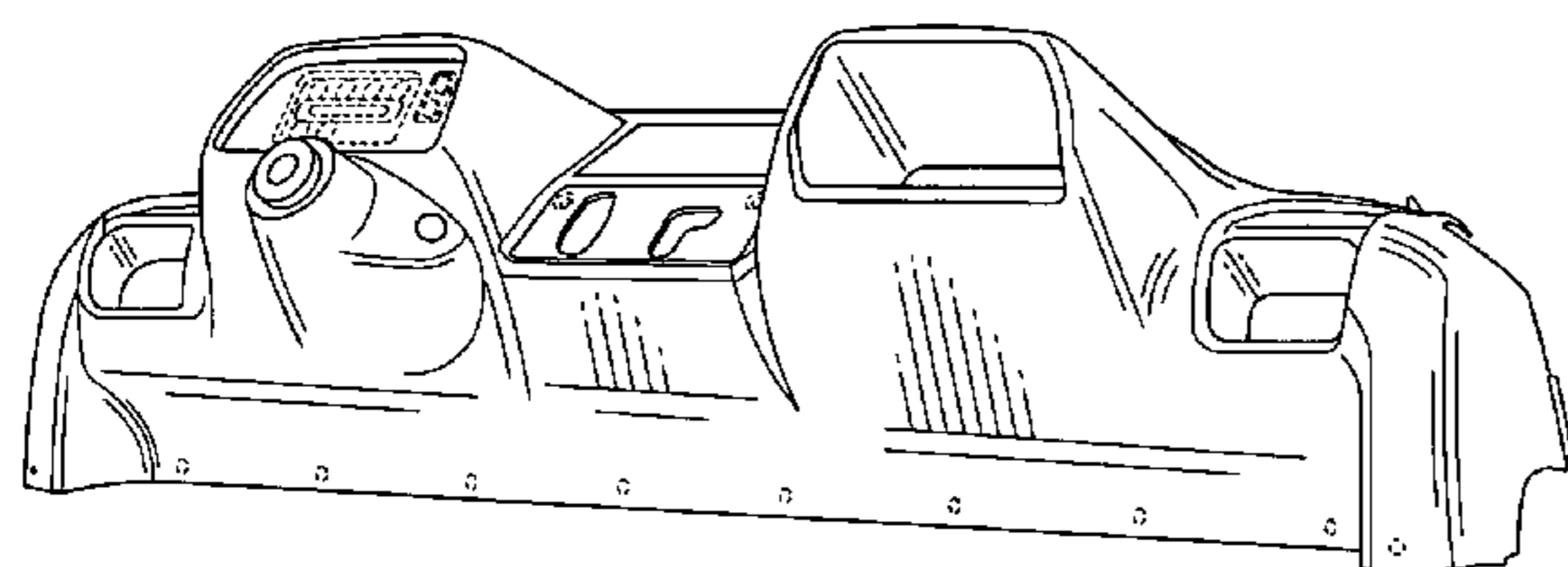
FIG. 8 is a bottom view thereof; and

FIG. 9 is a right side elevation view thereof; and,

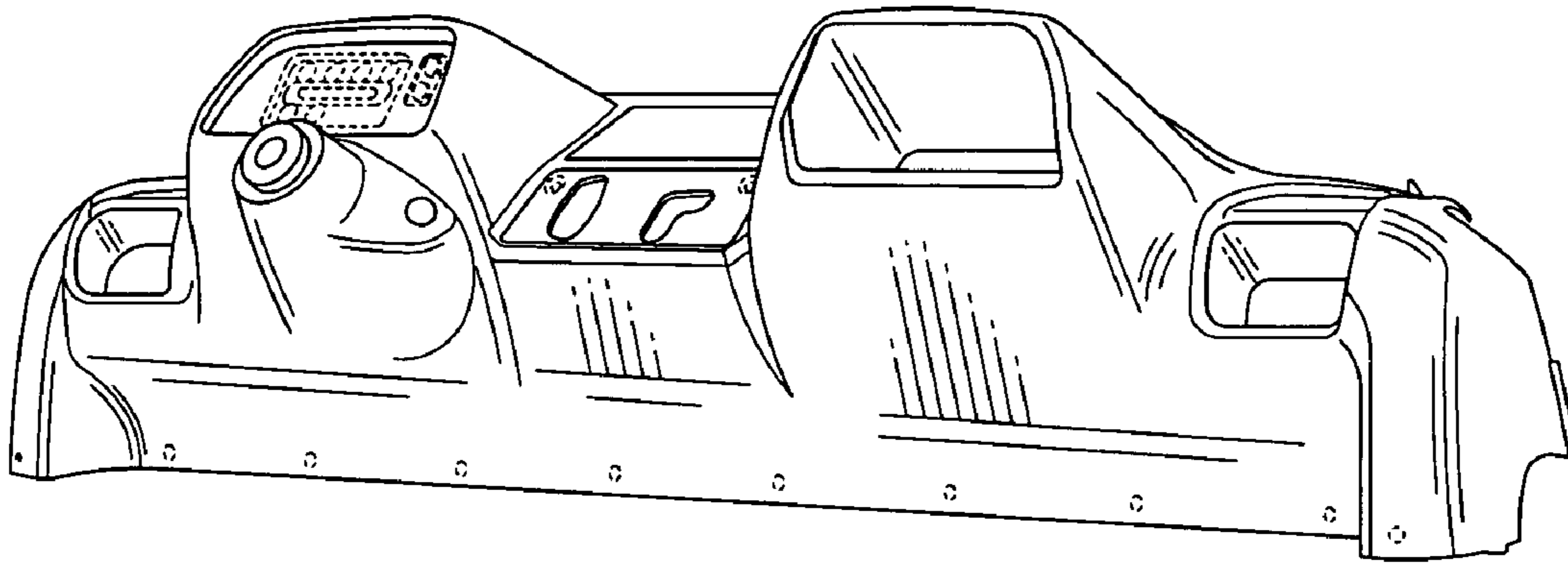
FIG. 10 is a left side elevation view.

The broken line showing of portions of the instrument panel is included for the purpose of illustrating environmental structure and forms no part of the claimed design.

**1 Claim, 5 Drawing Sheets**



F I G. 1



F I G. 2

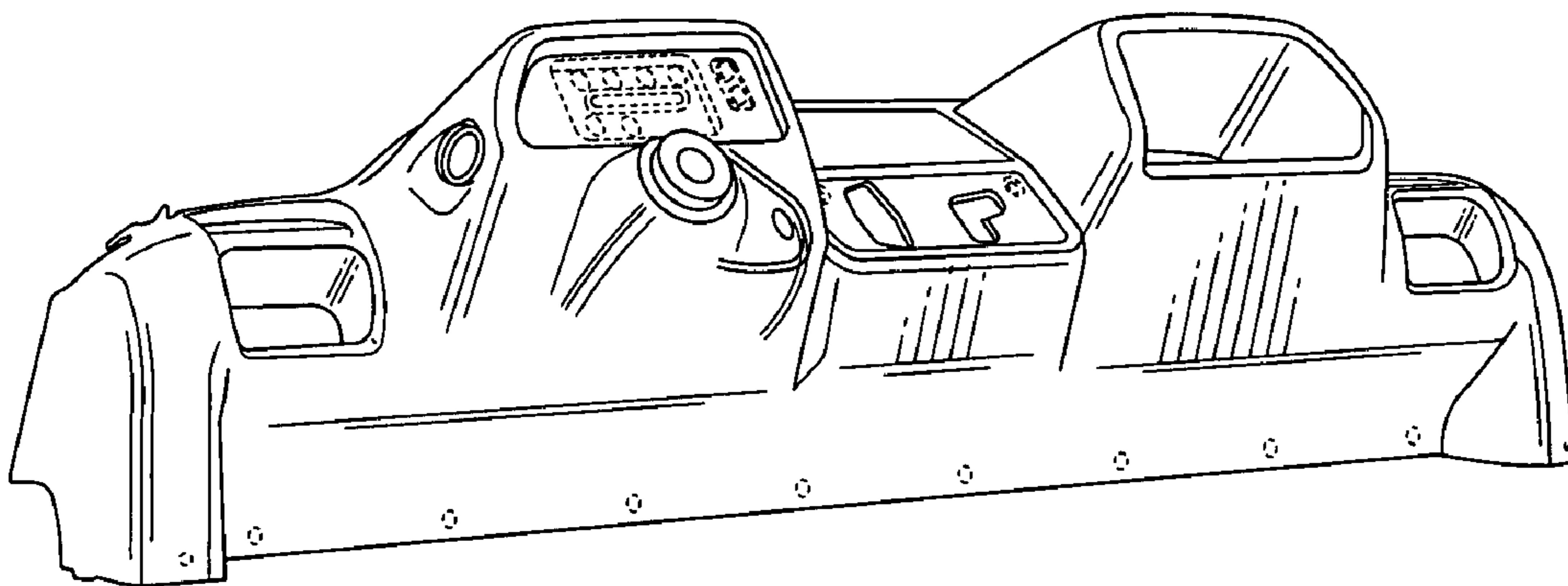


FIG. 3

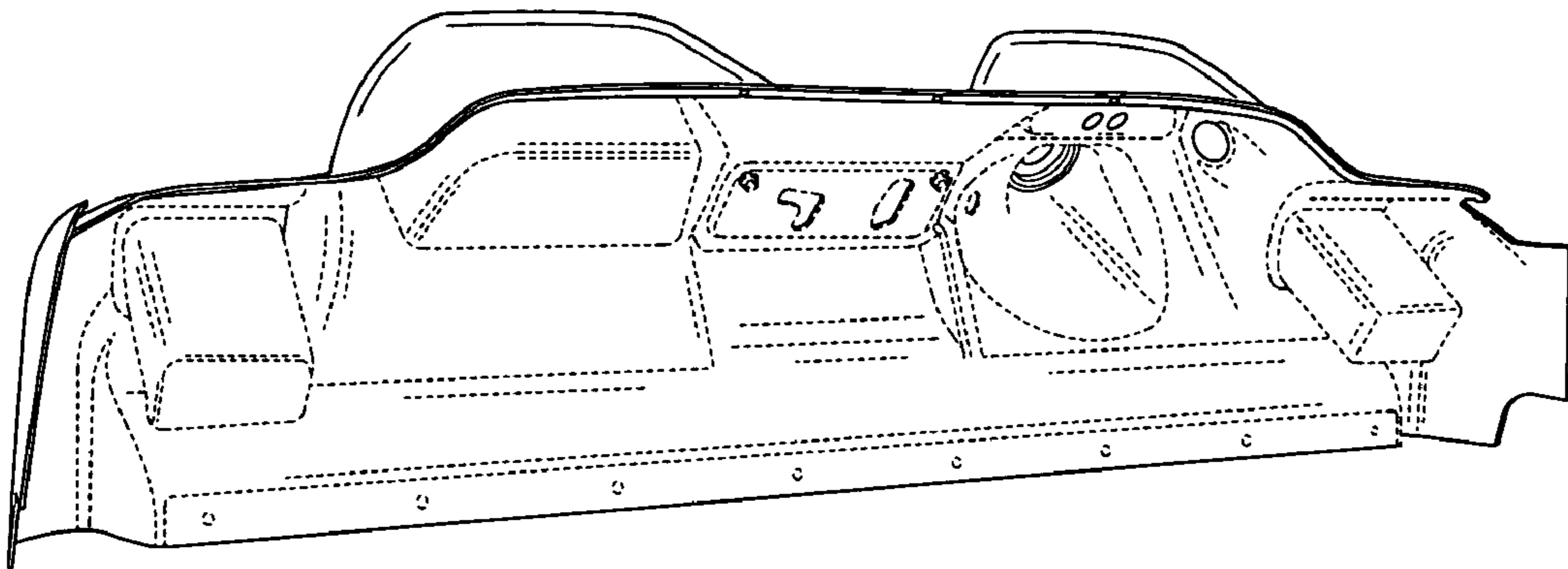
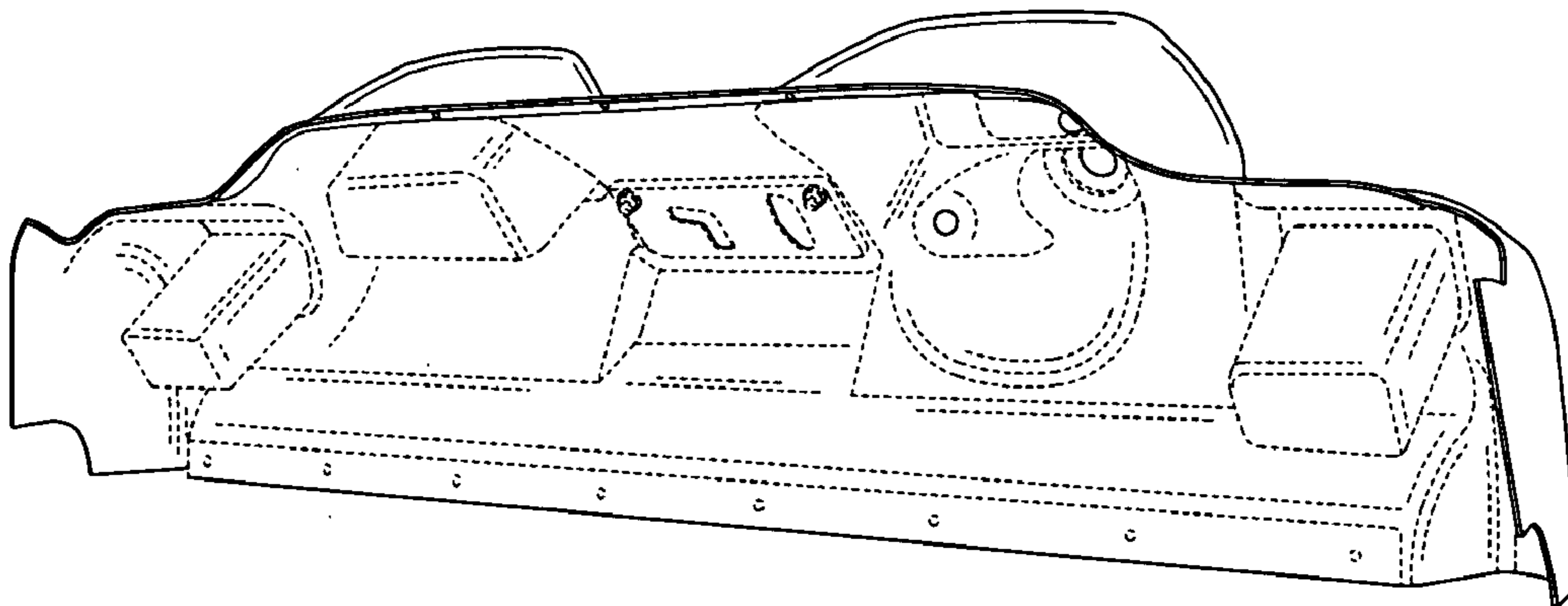
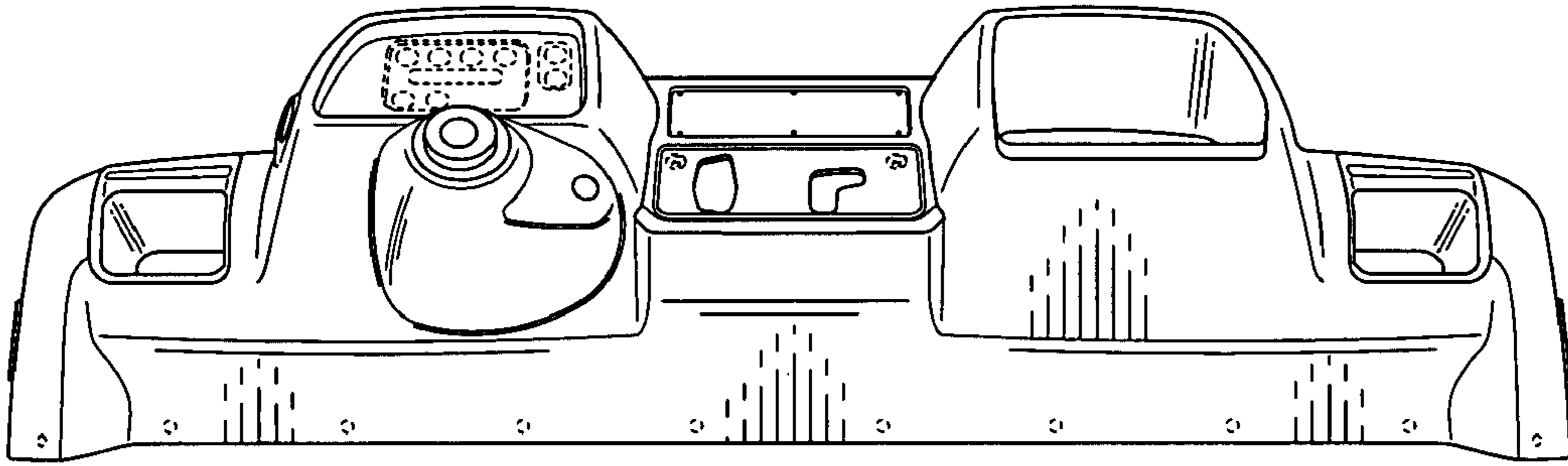


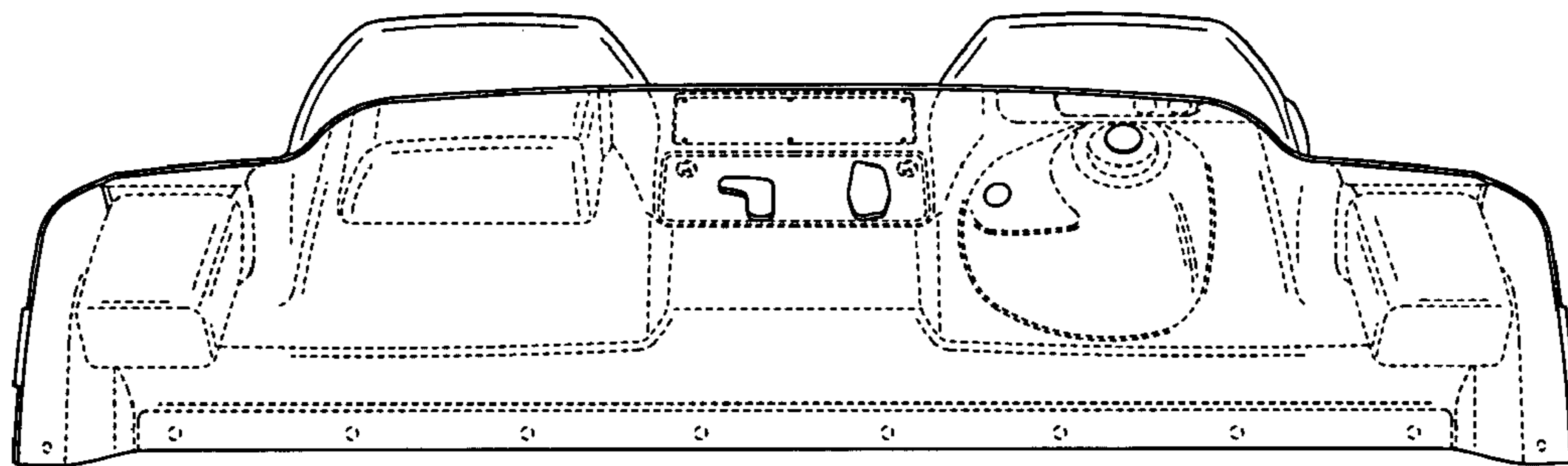
FIG. 4



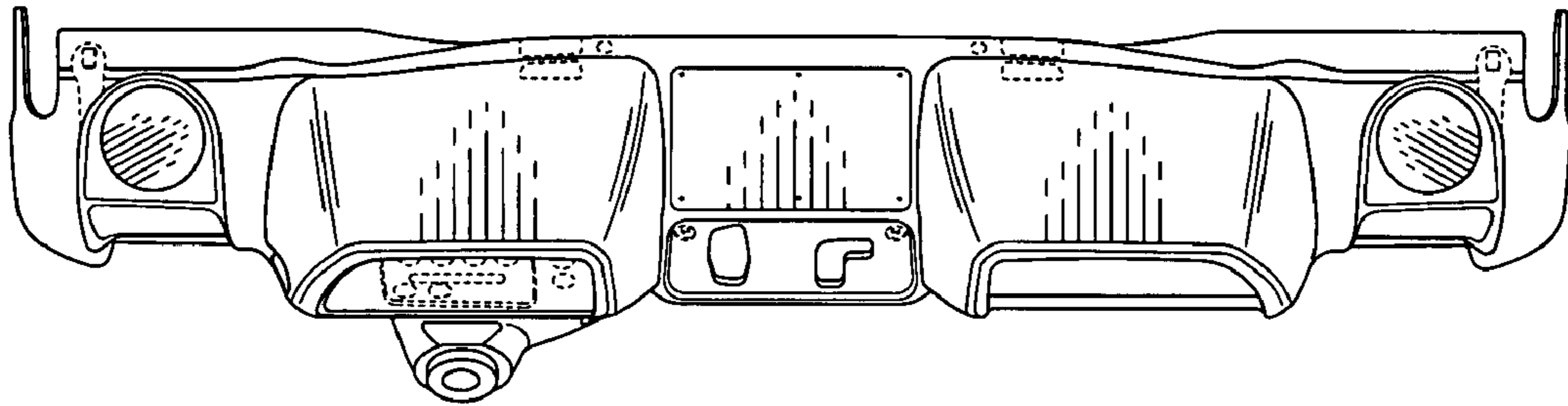
F I G. 5



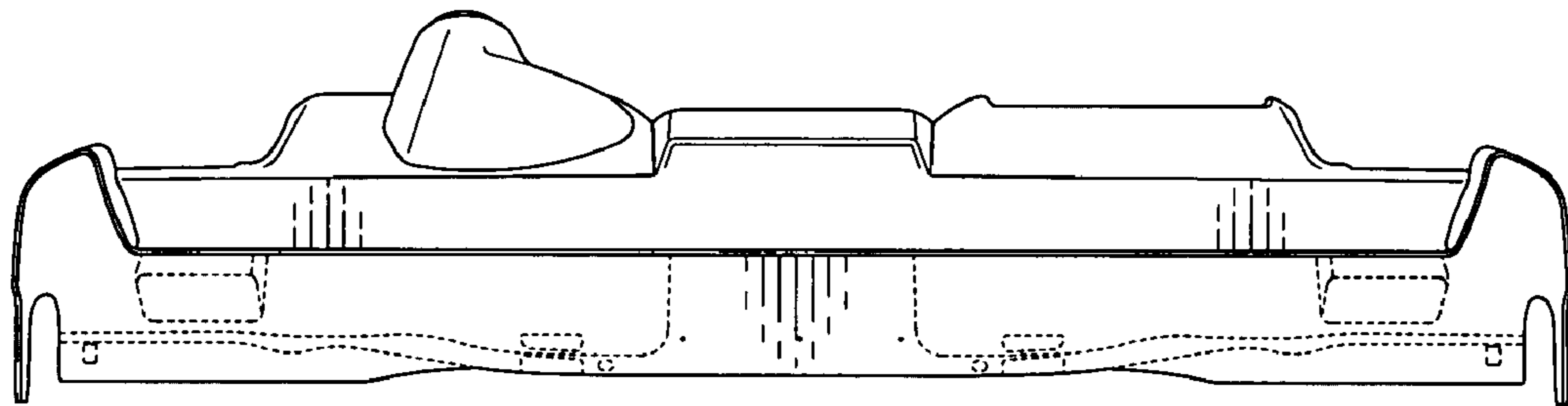
F I G. 6



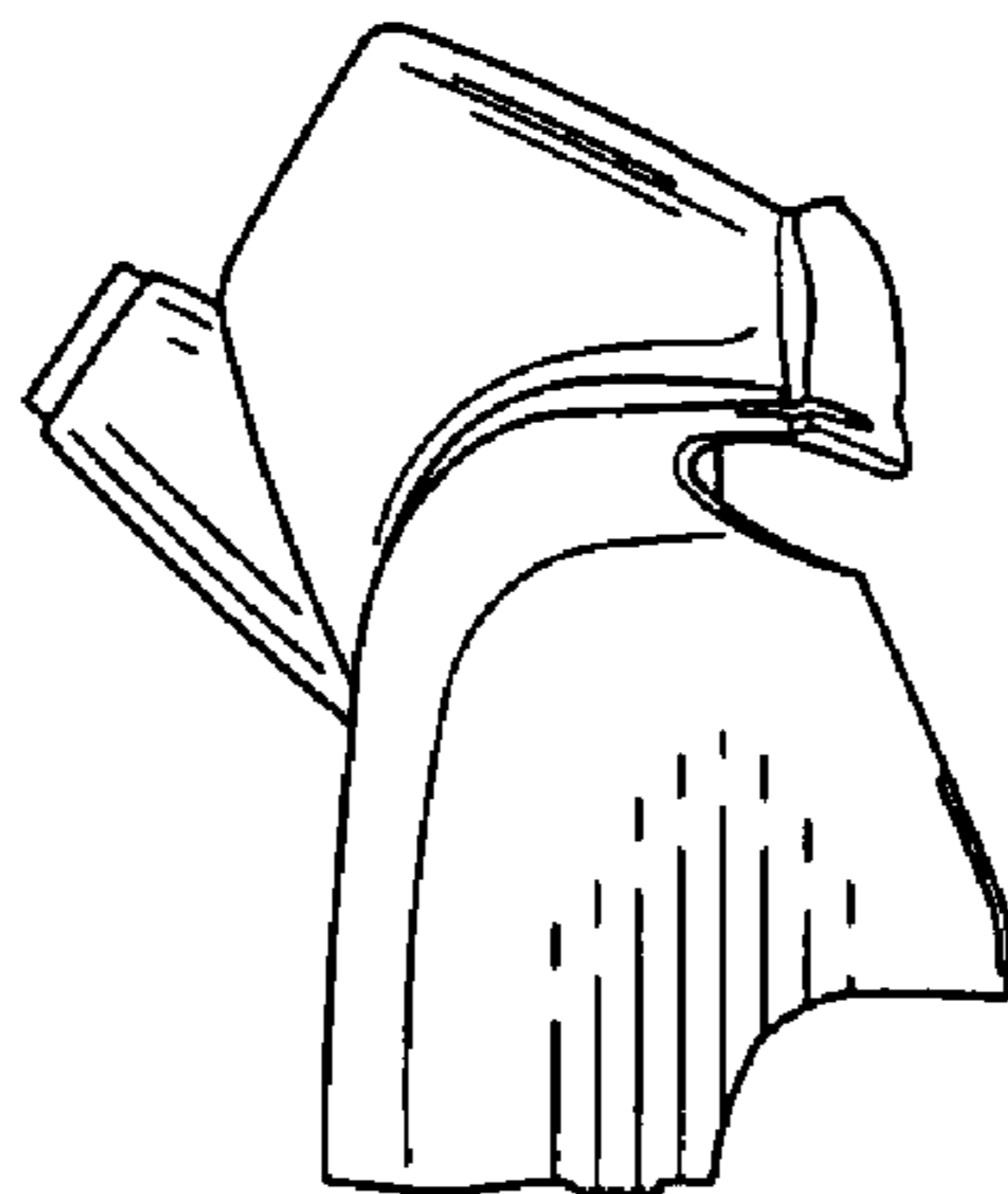
F I G. 7



F I G. 8



F I G. 9



F I G. 10

