



US00D567722S

(12) **United States Design Patent**
Chapman et al.

(10) **Patent No.:** **US D567,722 S**
(45) **Date of Patent:** **** Apr. 29, 2008**

(54) **TAILGATE CLIP**
(75) Inventors: **Timothy W. Chapman**, Etobicoke (CA); **Jerry Srutwa**, Toronto (CA); **Jerzy Czechowski**, Toronto (CA)
(73) Assignee: **Salflex Polymers Ltd.**, Weston, Ontario (CA)
(**) Term: **14 Years**

D417,859 S 12/1999 Leitner et al.
D418,106 S 12/1999 Leitner et al.
6,113,173 A 9/2000 Leitner et al.
6,257,640 B1 7/2001 Leitner et al.
6,402,215 B1 6/2002 Leitner et al.
6,626,478 B1 9/2003 Minton
6,805,392 B2 10/2004 Leitner et al.
7,007,995 B1 3/2006 Scarberry et al.
D543,447 S * 5/2007 Allsopp D8/395
D553,969 S * 10/2007 Allsopp D8/395
2005/0012354 A1 1/2005 Leitner et al.

(21) Appl. No.: **29/254,892**
(22) Filed: **Mar. 2, 2006**

* cited by examiner

Primary Examiner—Cathron Brooks
Assistant Examiner—Michael A. Pratt
(74) *Attorney, Agent, or Firm*—Bereskin & Parr

(51) **LOC (8) Cl.** **12-16**
(52) **U.S. Cl.** **D12/162**
(58) **Field of Classification Search** D12/106, D12/115, 116, 161, 162, 199, 414; 280/402, 280/403, 404, 405.1, 405.2, 407, 407.1, 416.2, 280/455.1, 491.5, 186, 433, 434, 438 R; 224/309, 315–317, 322–329, 331; 296/37.7; D8/70, 303, 336, 367, 371, 395, 394, 321, D8/302, 349; D29/115, 104, 105, 102; 40/200, 40/204, 205, 209, 211, 590, 591
See application file for complete search history.

(57) **CLAIM**

The ornamental design for the tailgate clip, as shown.

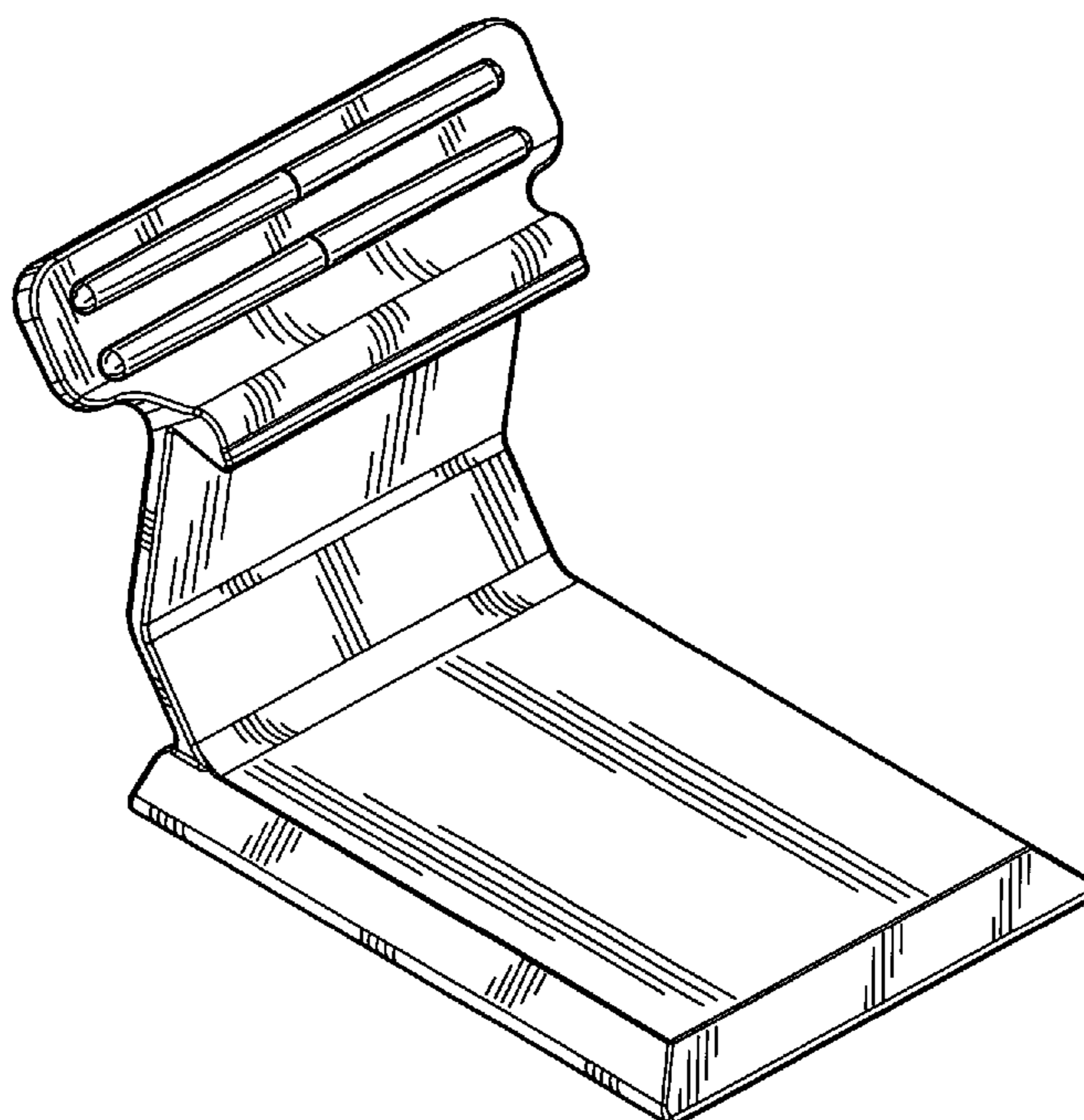
DESCRIPTION

FIG. 1 is a top plan view of the tailgate clip of FIG. 1; and, FIG. 2 is a rear perspective view from below and to one side of the clip of FIG. 1;
FIG. 3 is a left side view of the clip of FIG. 1;
FIG. 4 is a front view of the clip of FIG. 1;
FIG. 5 is a right side view of the clip of FIG. 1;
FIG. 6 is a rear view of the dip of FIG. 1;
FIG. 7 is a plan view of the bracket of FIG. 1; and, FIG. 8 is a bottom view of the clip of FIG. 1.

(56) **References Cited**
U.S. PATENT DOCUMENTS

3,978,619 A 9/1976 Gregoire
5,700,047 A 12/1997 Leitner et al.
D395,276 S * 6/1998 Lundgren D12/414
D406,559 S * 3/1999 Lundgren D12/414
5,911,464 A 6/1999 White
D412,882 S * 8/1999 Lundgren D12/414

1 Claim, 3 Drawing Sheets



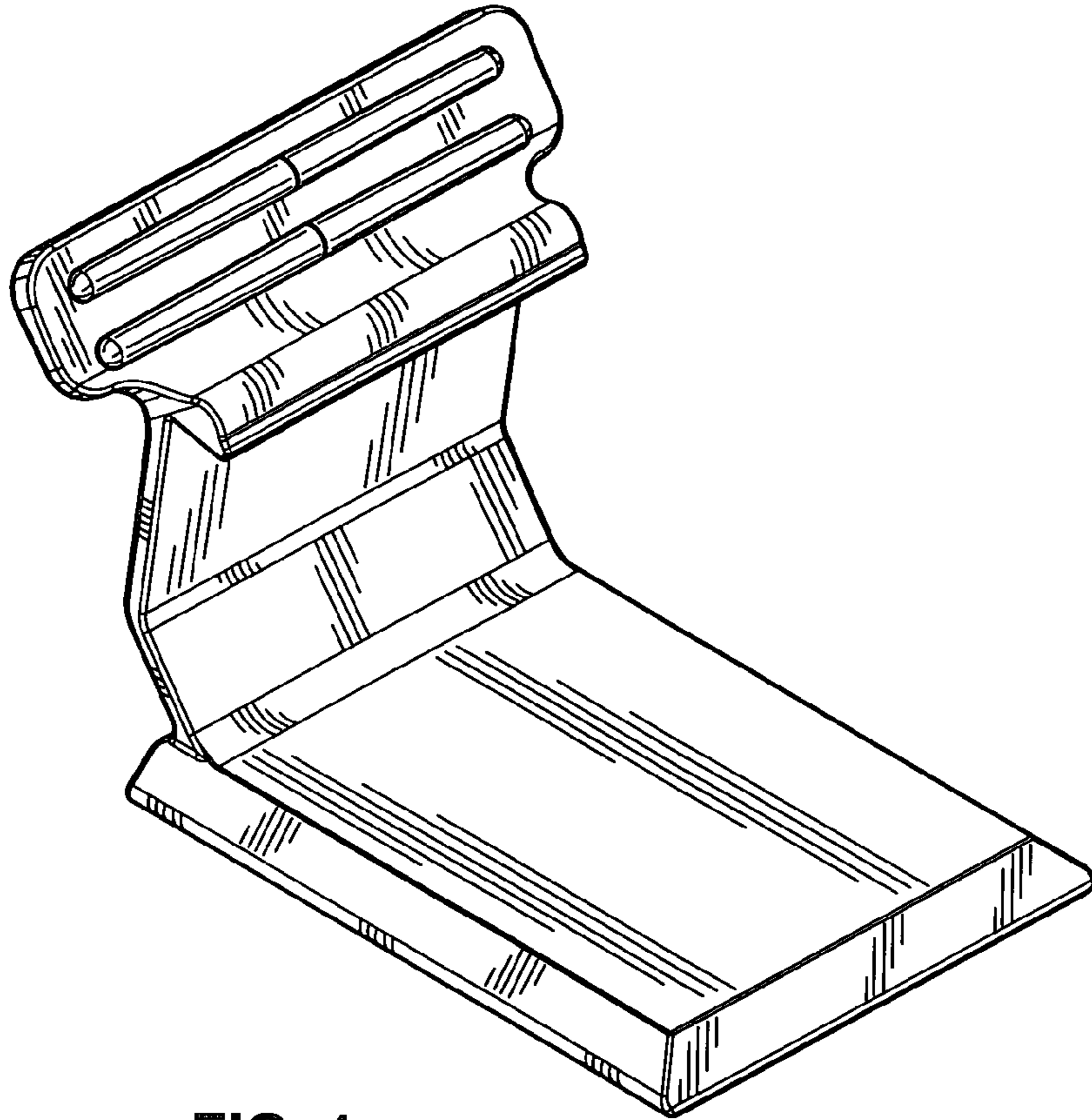


FIG. 1

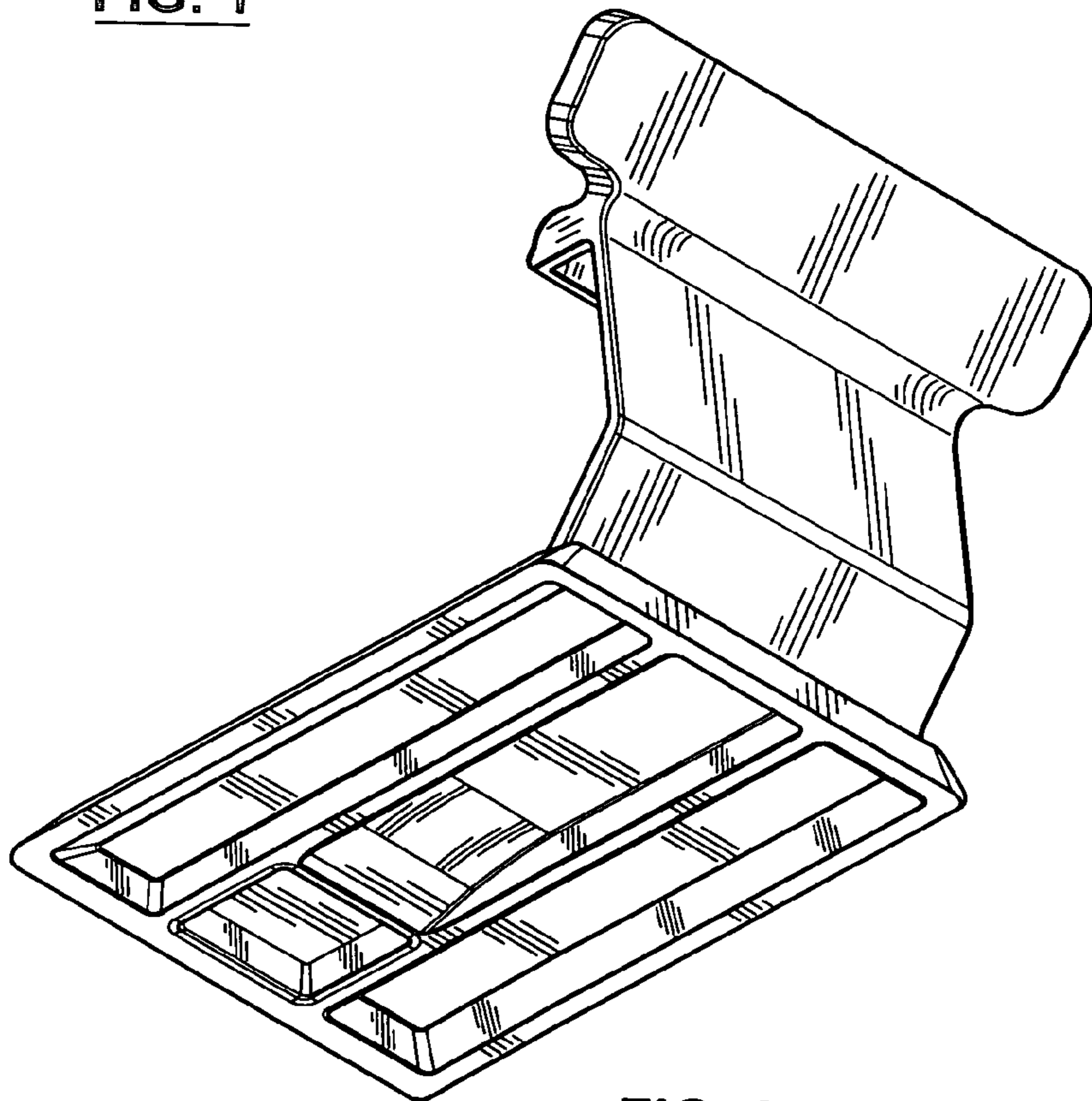


FIG. 2

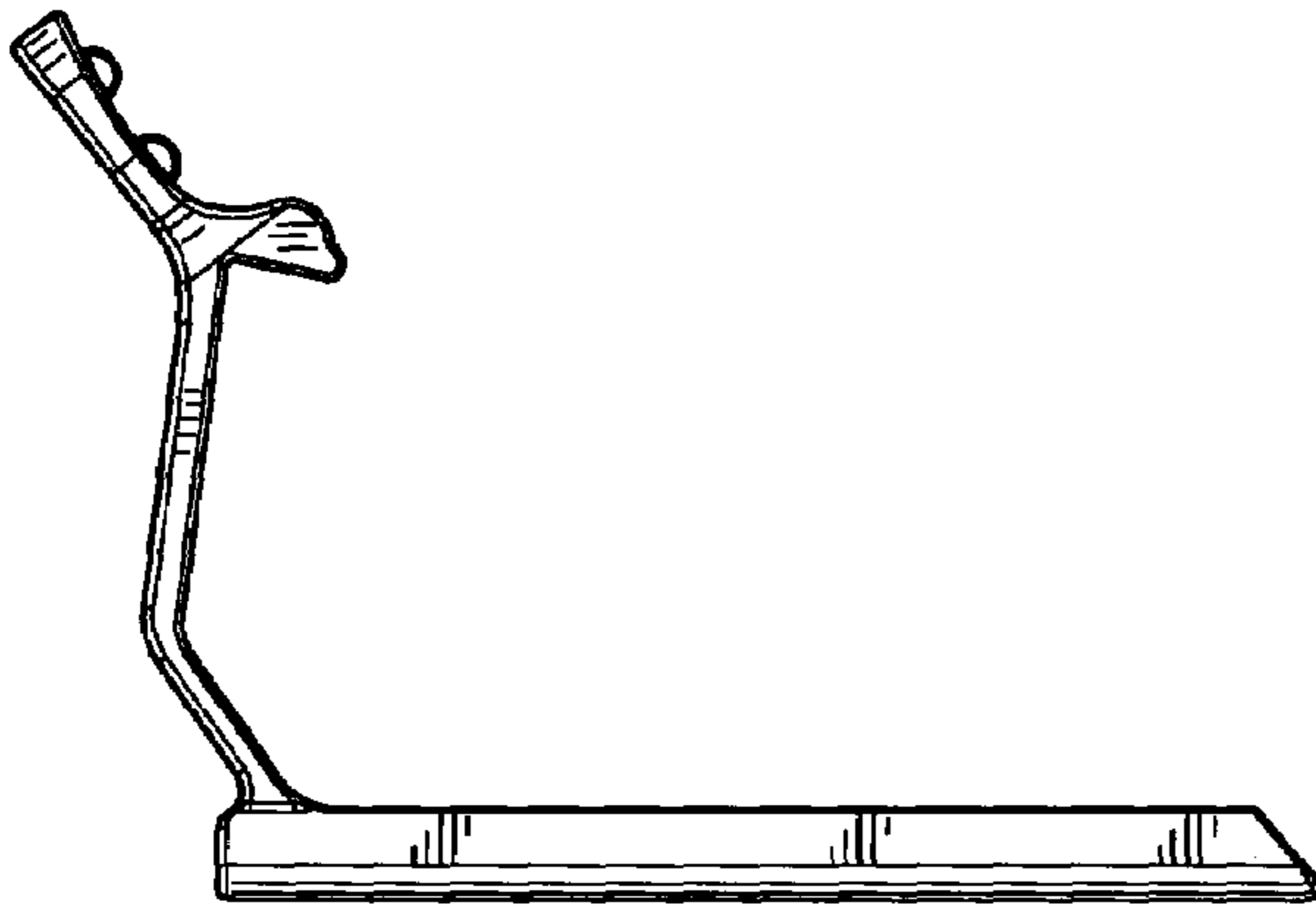


FIG. 3

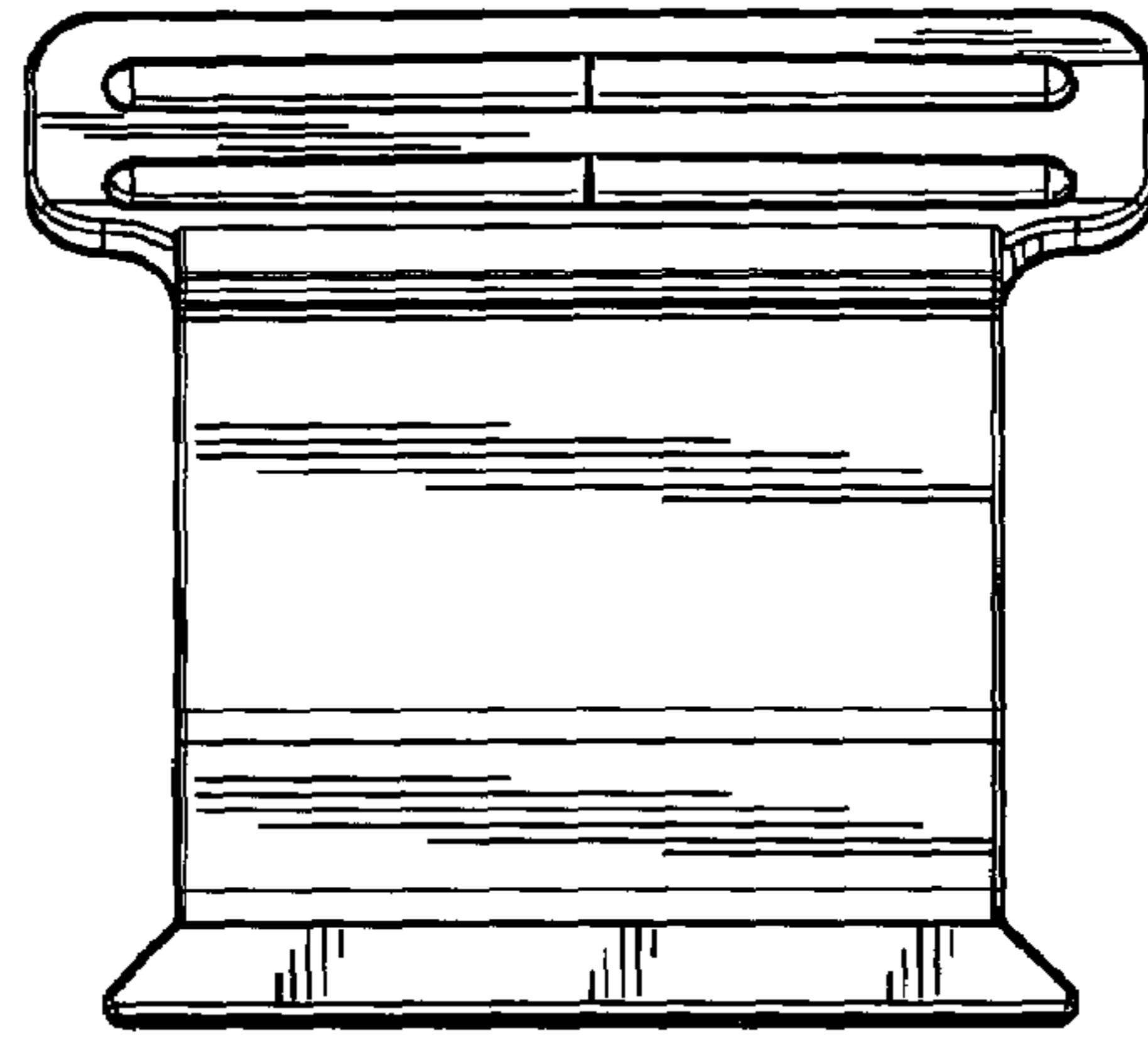


FIG. 4

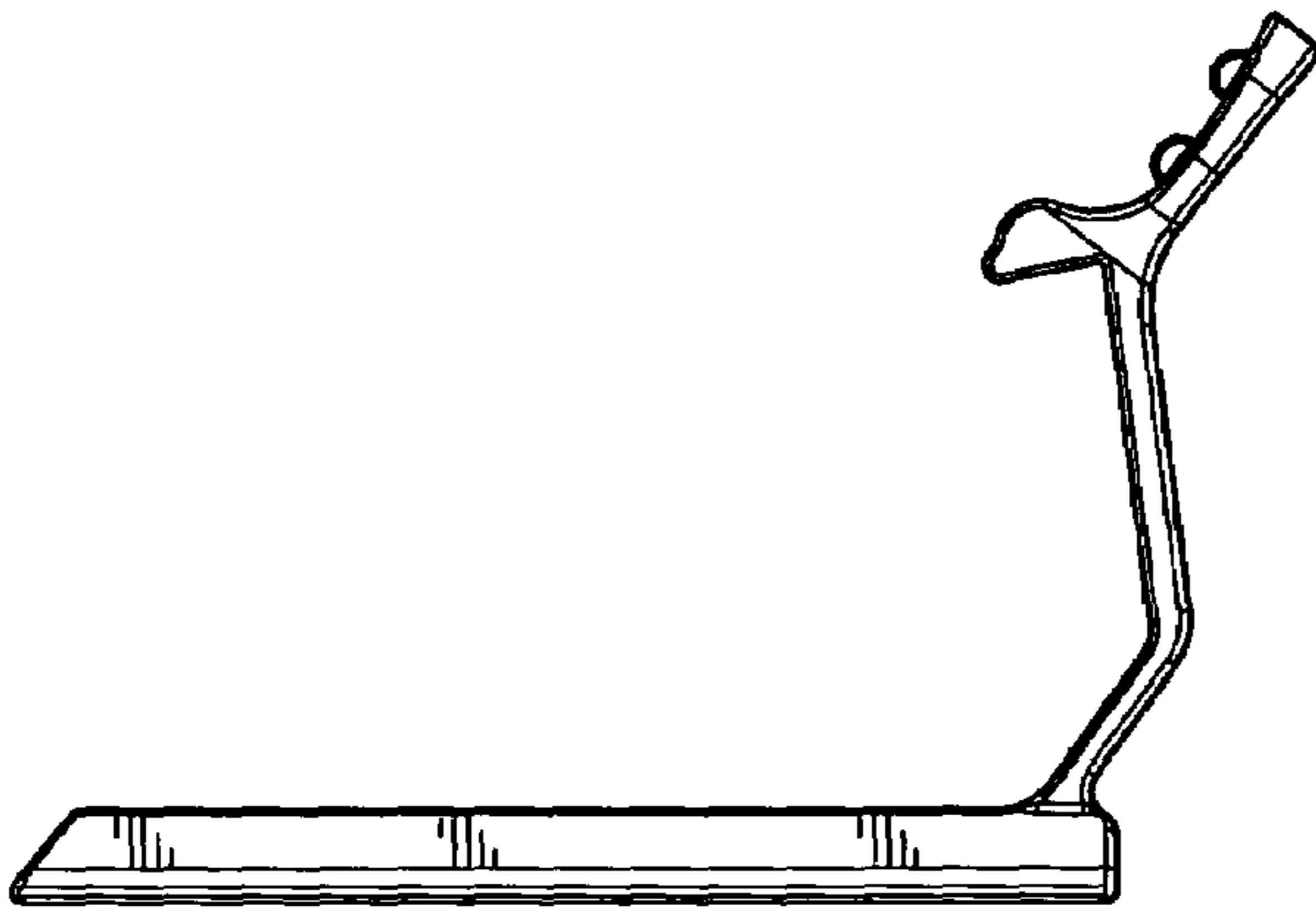


FIG. 5

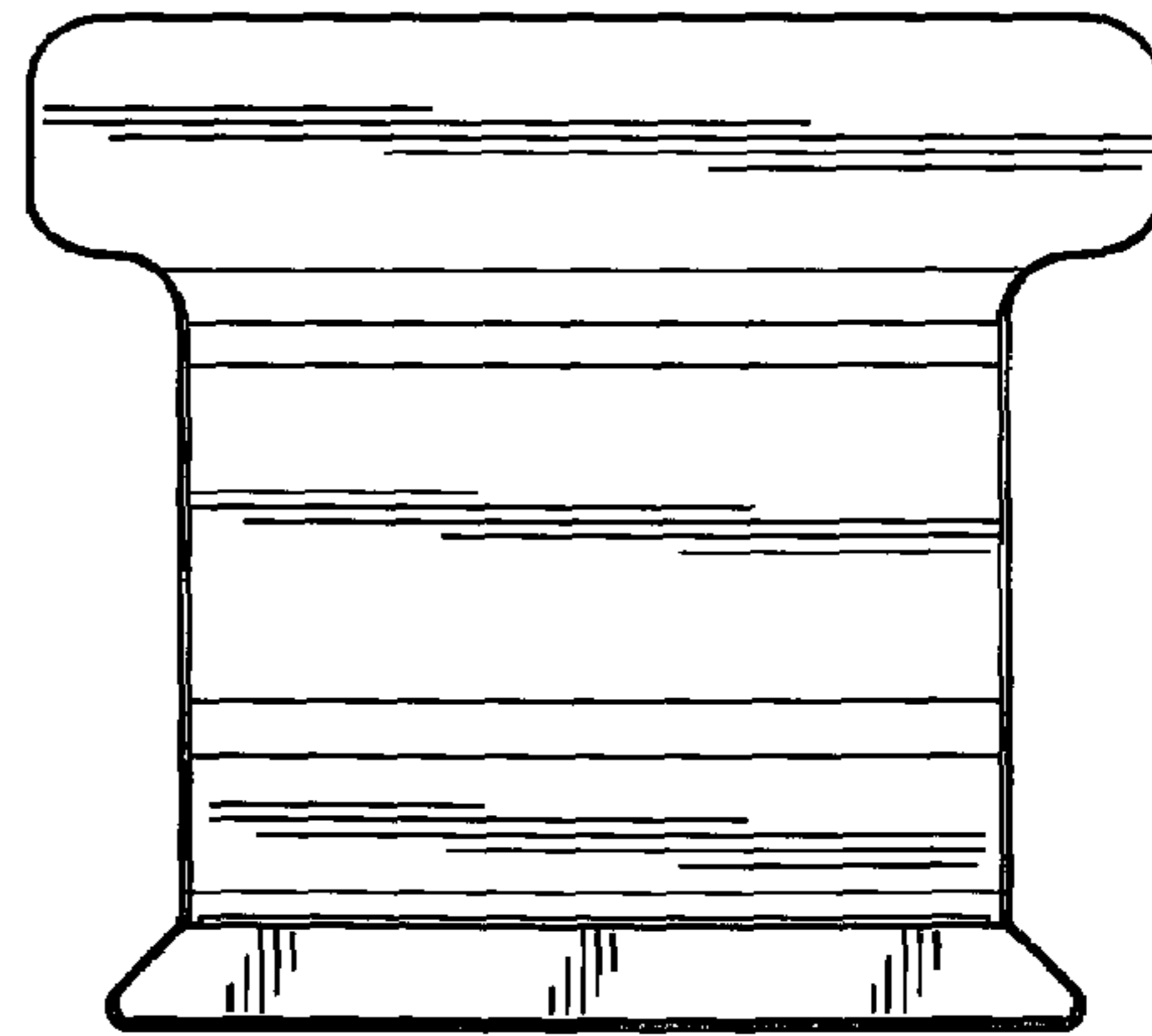


FIG. 6

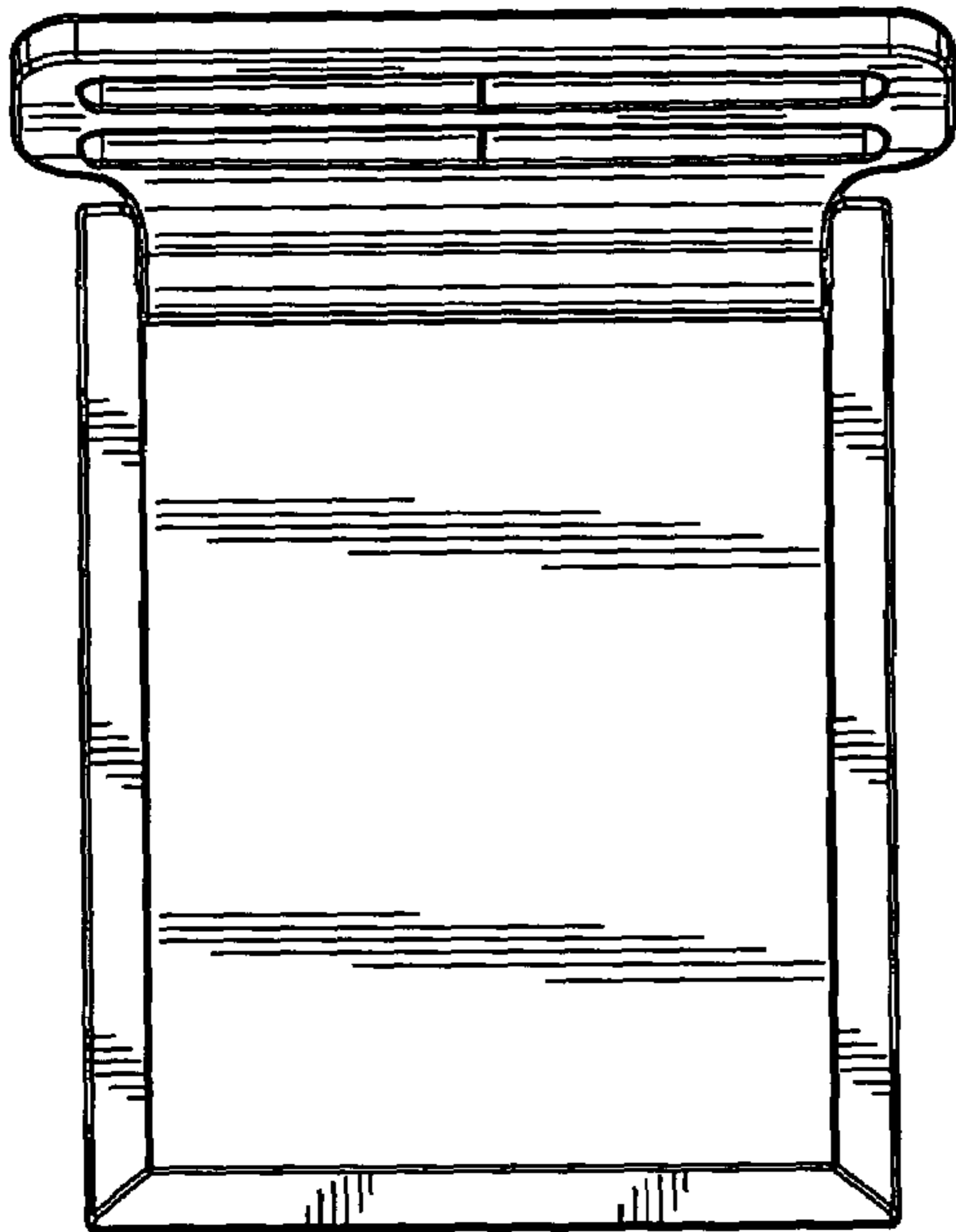


FIG. 7

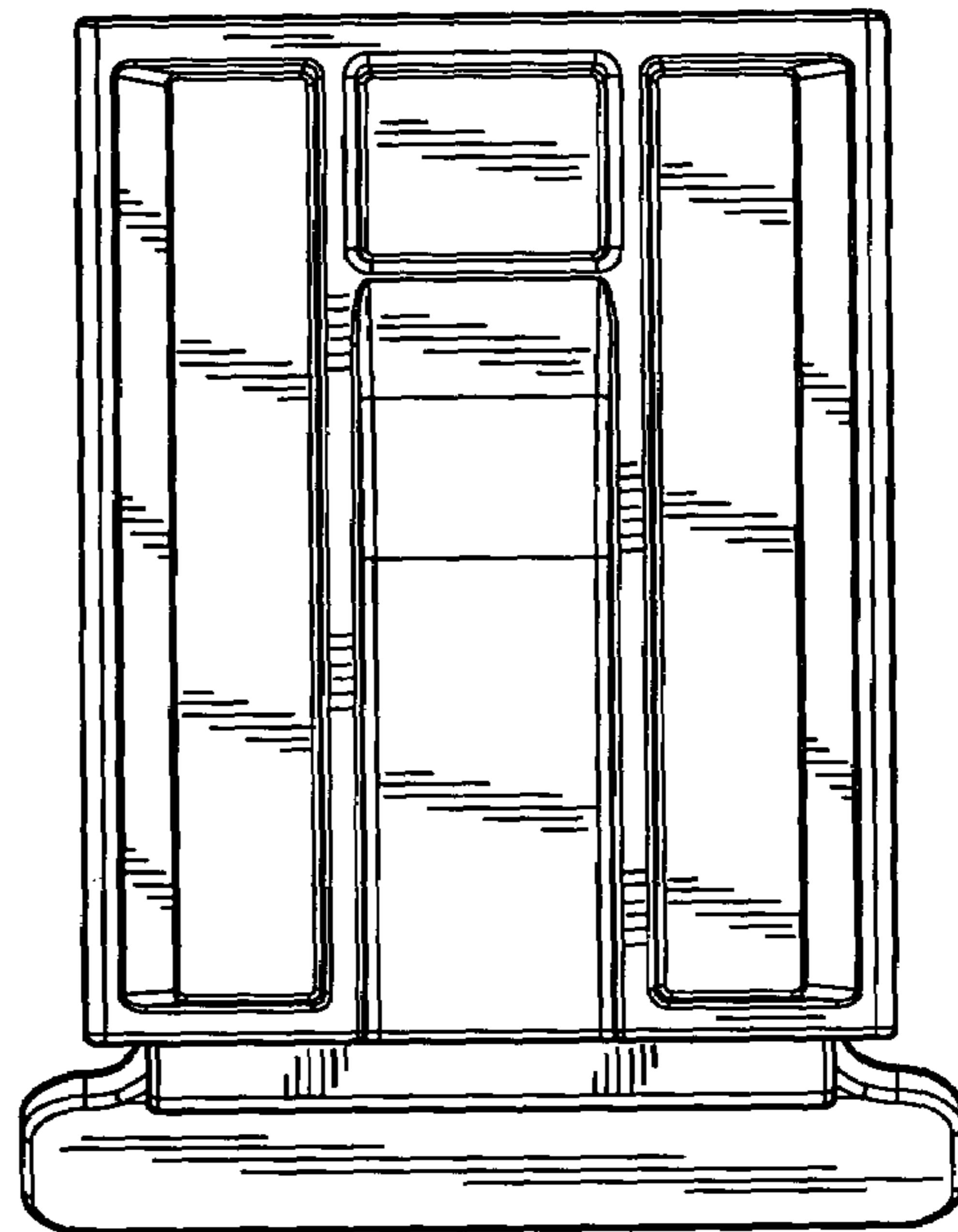


FIG. 8