



US00D567721S

(12) **United States Design Patent**  
**Suttle**

(10) **Patent No.:** **US D567,721 S**  
(45) **Date of Patent:** **\*\* Apr. 29, 2008**

(54) **DUAL INFANT TODDLER STROLLER**

(76) Inventor: **Rhonda Suttle**, 3224 Silver Lake Dr.,  
Atlanta, GA (US) 30319

(\*\*) Term: **14 Years**

(21) Appl. No.: **29/266,708**

(22) Filed: **Sep. 28, 2006**

(51) **LOC (8) Cl.** ..... **12-12**

(52) **U.S. Cl.** ..... **D12/129**

(58) **Field of Classification Search** ..... D12/128-133;  
296/65.03, 65.04; 224/409; 297/DIG. 4;  
280/62, 647-650, 29, 200, 47.38, 250.1,  
280/259, 642, 658

See application file for complete search history.

(56) **References Cited**

**U.S. PATENT DOCUMENTS**

D166,822 S *	5/1952	Peterson	.....	D6/335
4,725,071 A	2/1988	Shamie		
D311,363 S *	10/1990	Lin	.....	D12/129
D321,850 S *	11/1991	Mong-Hsing	.....	D12/129
D360,392 S *	7/1995	Lewandowski	.....	D12/129
D370,437 S *	6/1996	Siesholtz et al.	.....	D12/129
D375,706 S *	11/1996	Haung	.....	D12/129

5,653,460 A *	8/1997	Fogarty	.....	280/642
D403,621 S *	1/1999	Spinella	.....	D12/128
D430,076 S *	8/2000	Gehr	.....	D12/129
6,209,892 B1	4/2001	Schaaf et al.		

\* cited by examiner

*Primary Examiner*—Charles A Rademaker

*Assistant Examiner*—Charles D Hanson

(74) *Attorney, Agent, or Firm*—Rogers & Rodgers

(57) **CLAIM**

The ornamental design for an dual infant toddler stroller, as shown and described.

**DESCRIPTION**

FIG. 1 is a prospective view of an dual infant toddler stroller showing my new design;

FIG. 2 is a top plan view thereof;

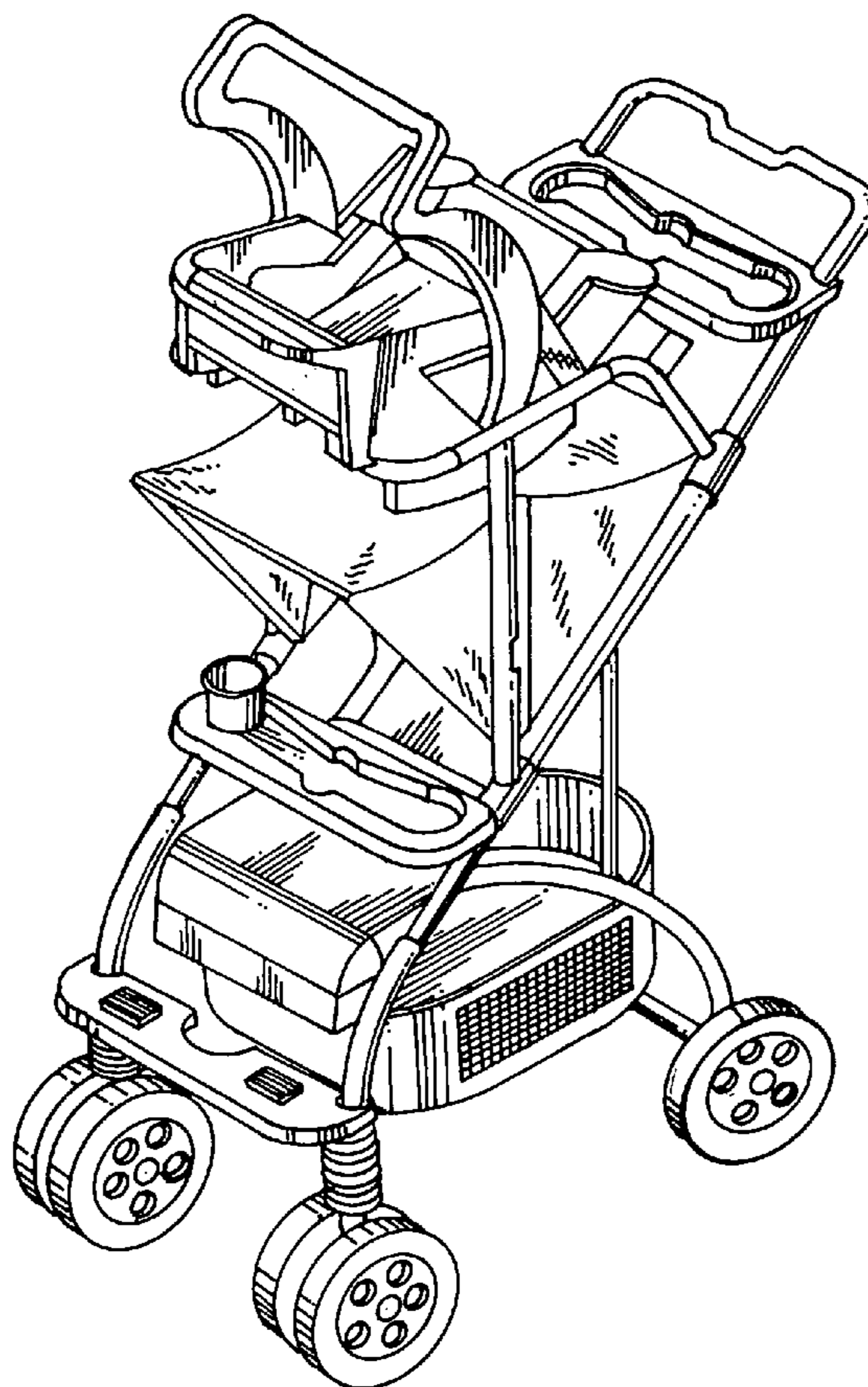
FIG. 3 is a side elevational view thereof, the opposite side being the same in appearance;

FIG. 4 is a front elevational view thereof;

FIG. 5 is a rear elevational view thereof; and,

FIG. 6 is a bottom plan view thereof.

**1 Claim, 3 Drawing Sheets**



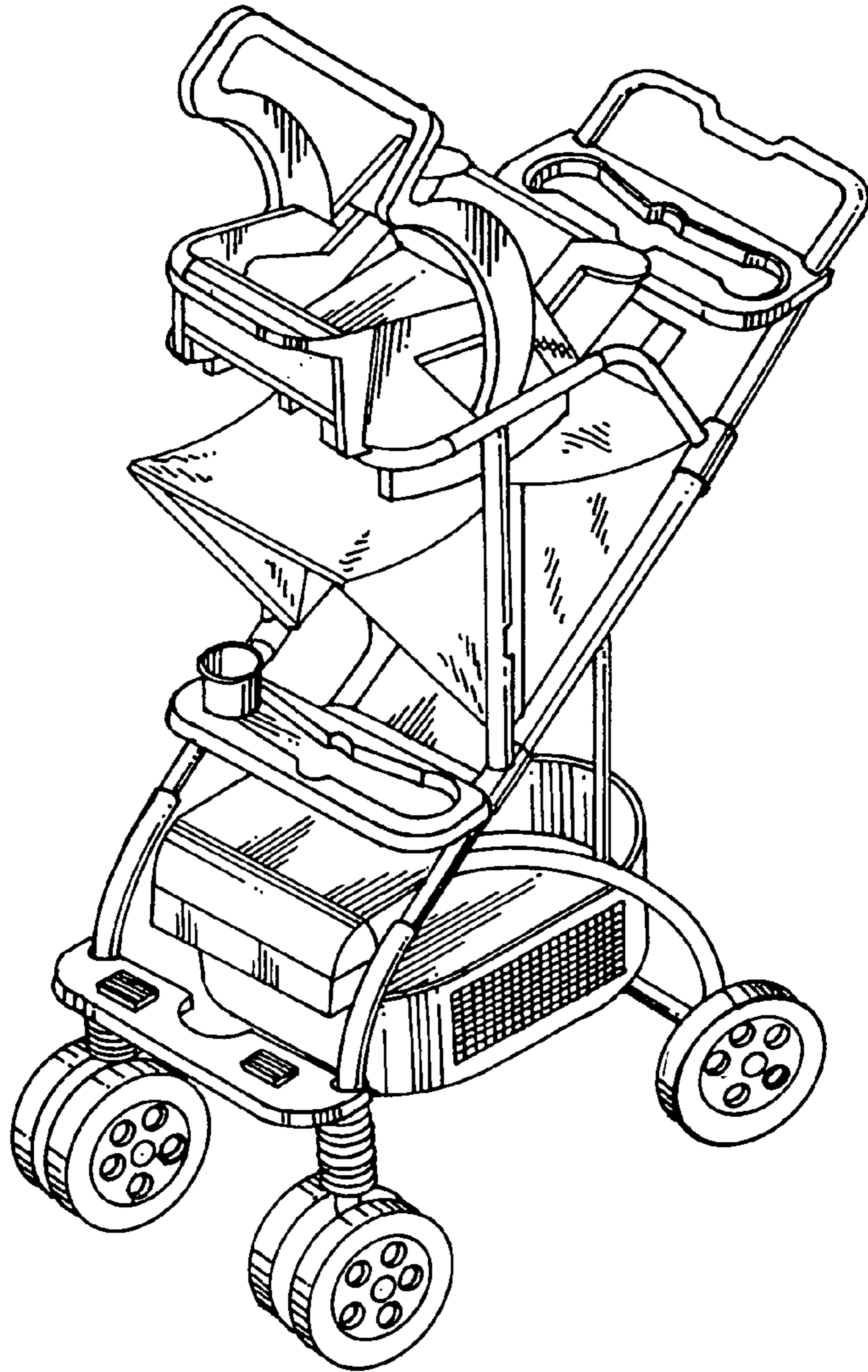


FIG. 1

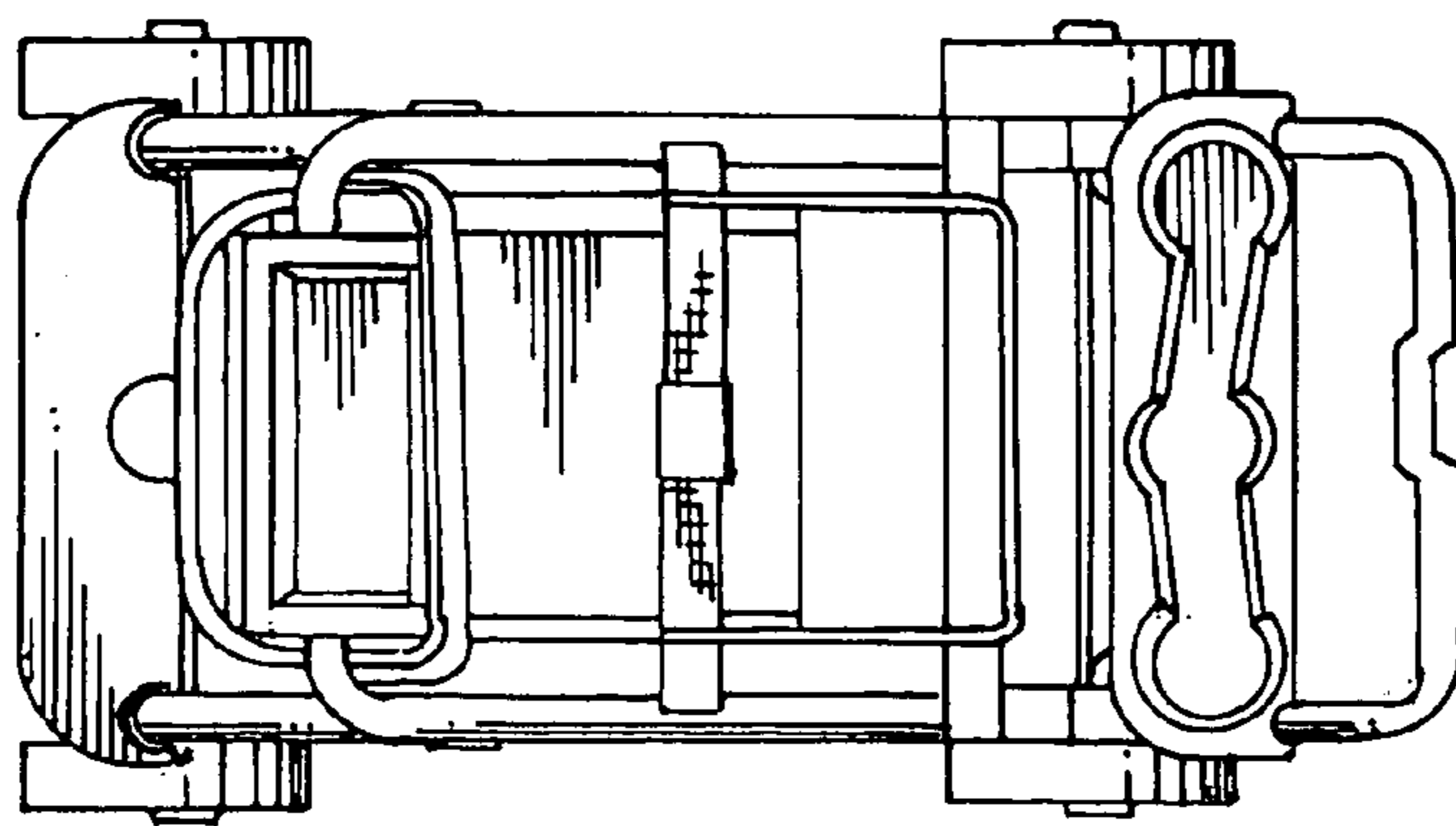


FIG. 2

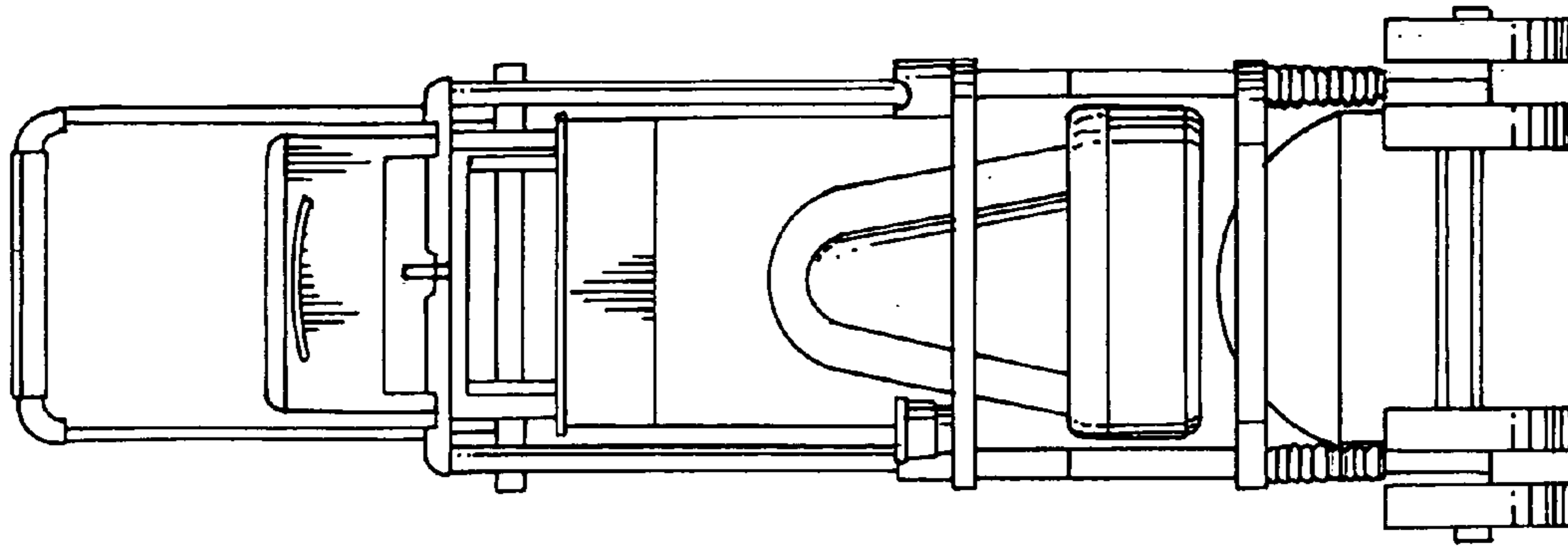


FIG. 4

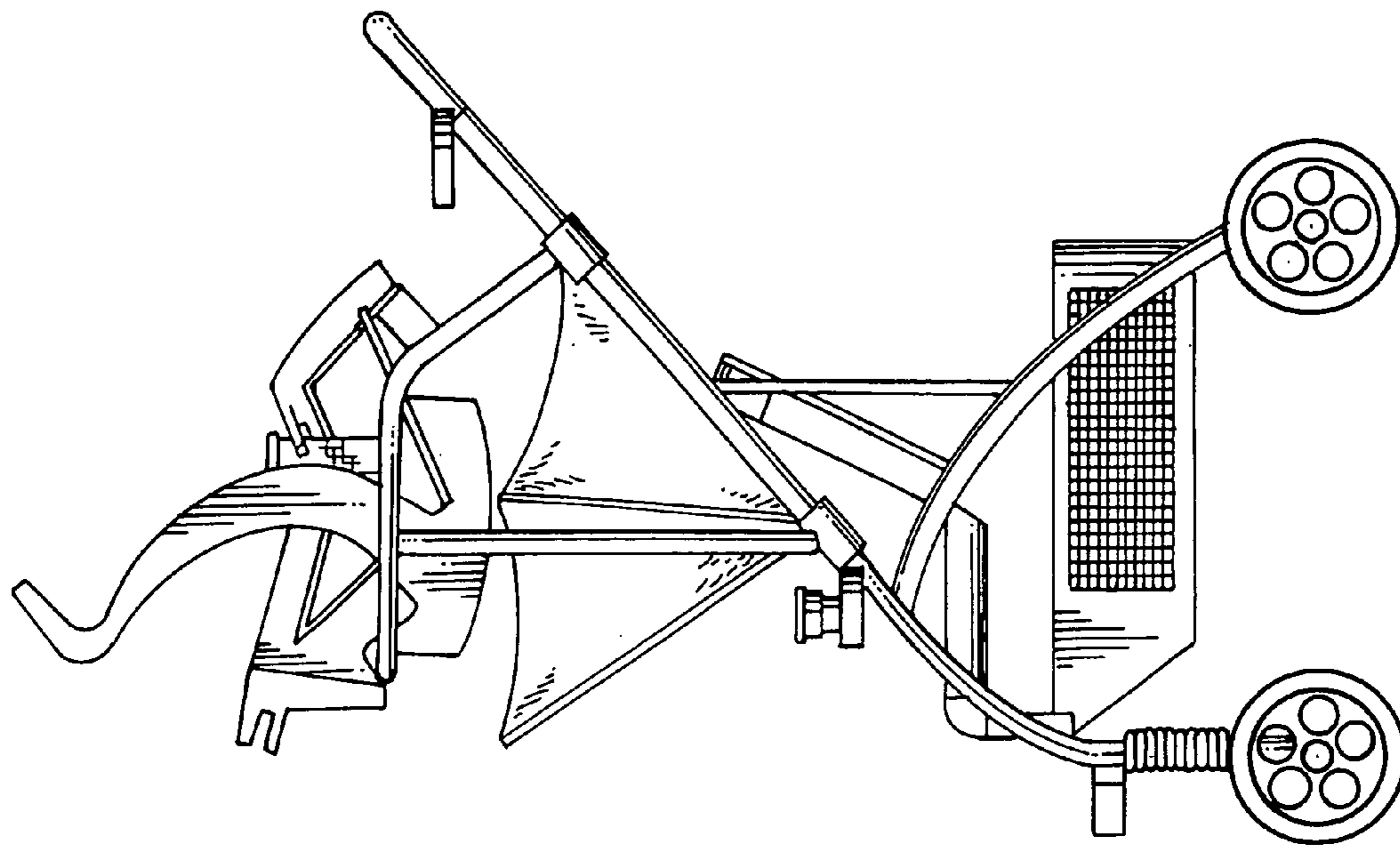


FIG. 3

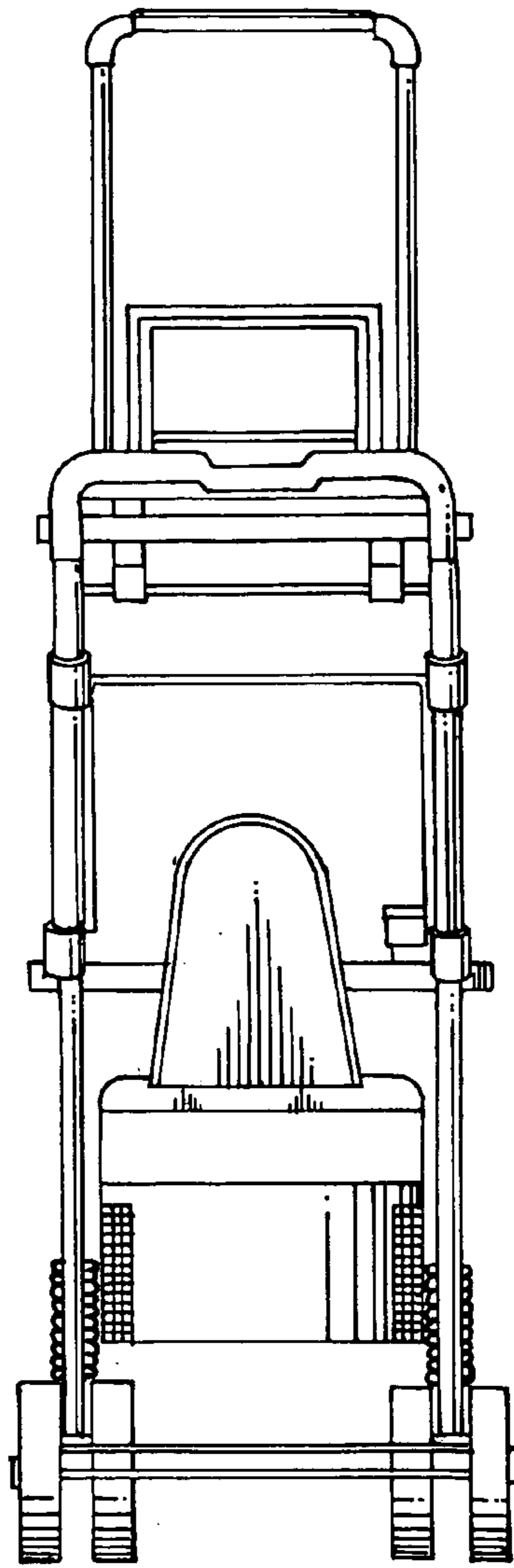


FIG. 5

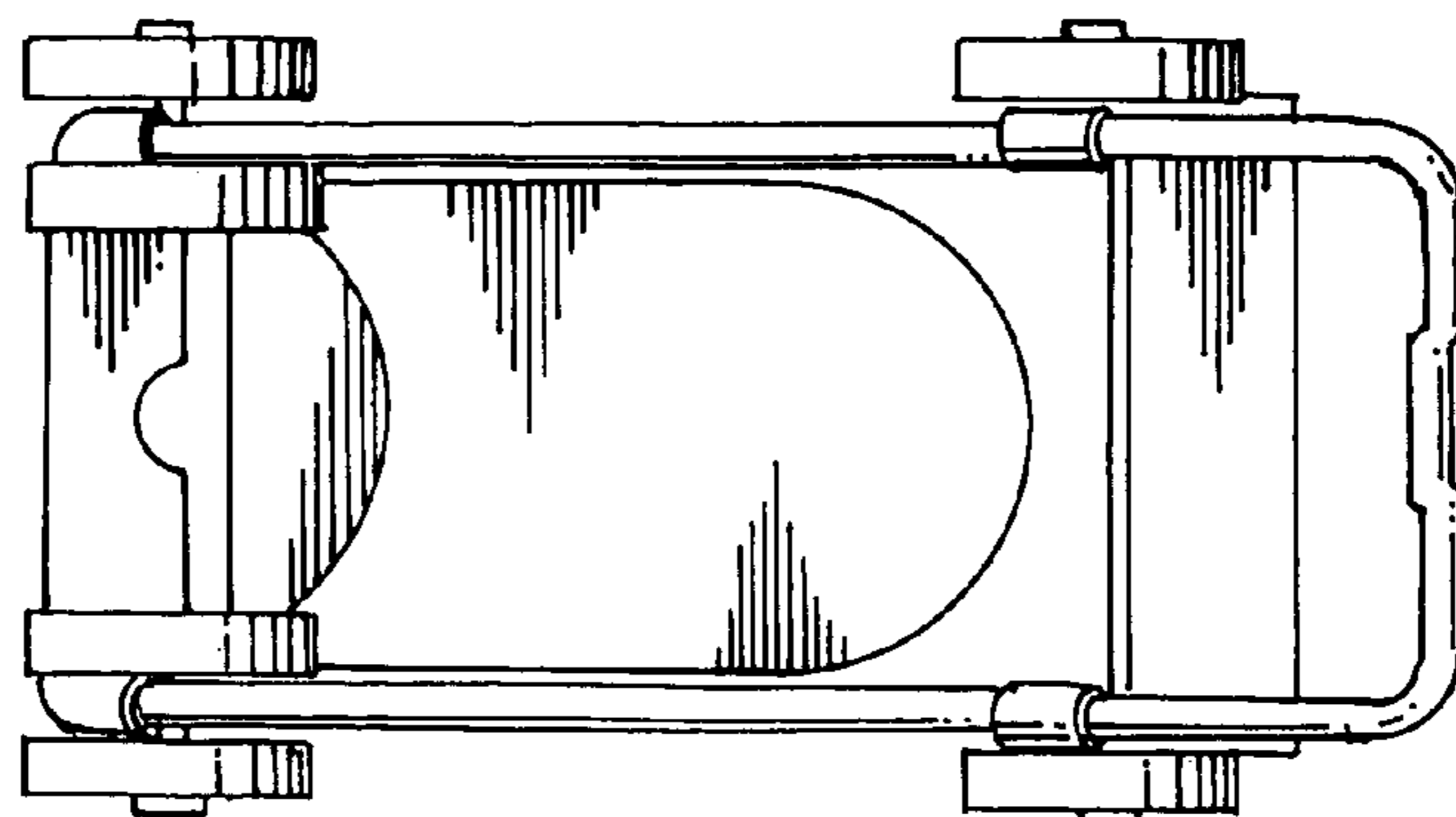


FIG. 6