

US00D567720S

(12) **United States Design Patent**  
**Graham**

(10) **Patent No.:** **US D567,720 S**

(45) **Date of Patent:** **\*\* Apr. 29, 2008**

(54) **BIPEDAL MOTION ASSISTING DEVICE**

(76) **Inventor:** **Gary Graham**, P.O. Box 5146, Glacier, WA (US) 98244

(\*\*) **Term:** **14 Years**

(21) **Appl. No.:** **29/240,053**

(22) **Filed:** **Oct. 6, 2005**

(51) **LOC (8) Cl.** ..... **12-12**

(52) **U.S. Cl.** ..... **D12/128; D12/112**

(58) **Field of Classification Search** ..... D12/112, D12/128-133; 296/65.03, 65.04; 224/409; 297/DIG. 4; 280/62, 647-650, 29, 200, 280/47.38, 250.1, 259, 642, 658

See application file for complete search history.

(56) **References Cited**

**U.S. PATENT DOCUMENTS**

1,307,058	A	6/1919	McGrath	
D58,659	S *	8/1921	Casey	..... D12/112
3,561,778	A *	2/1971	La Brie	..... 280/7.14
4,226,413	A	10/1980	Daugherty	
4,239,248	A	12/1980	Ewers	
4,312,505	A	1/1982	Engelhart	
4,813,664	A	3/1989	Vroulis	
4,907,794	A	3/1990	Rose	
5,378,215	A	1/1995	Harkins	

5,676,388	A	10/1997	Bertani	
D396,833	S *	8/1998	Eidt et al.	..... D12/130
6,220,612	B1	4/2001	Beleski	
6,296,263	B1	10/2001	Schultz	
6,554,302	B1	4/2003	Liu	
7,111,856	B1 *	9/2006	Graham	..... 280/87.021

\* cited by examiner

*Primary Examiner*—Charles A. Rademaker

*Assistant Examiner*—Charles D Hanson

(74) *Attorney, Agent, or Firm*—Michael F. Hughes; Hughes Law Firm, PLLC

(57) **CLAIM**

The ornamental design for a bipedal motions assisting device, as shown and described.

**DESCRIPTION**

FIG. 1 is a side view of a bipedal motion assisting device showing my new design;

FIG. 2 is a top view thereof;

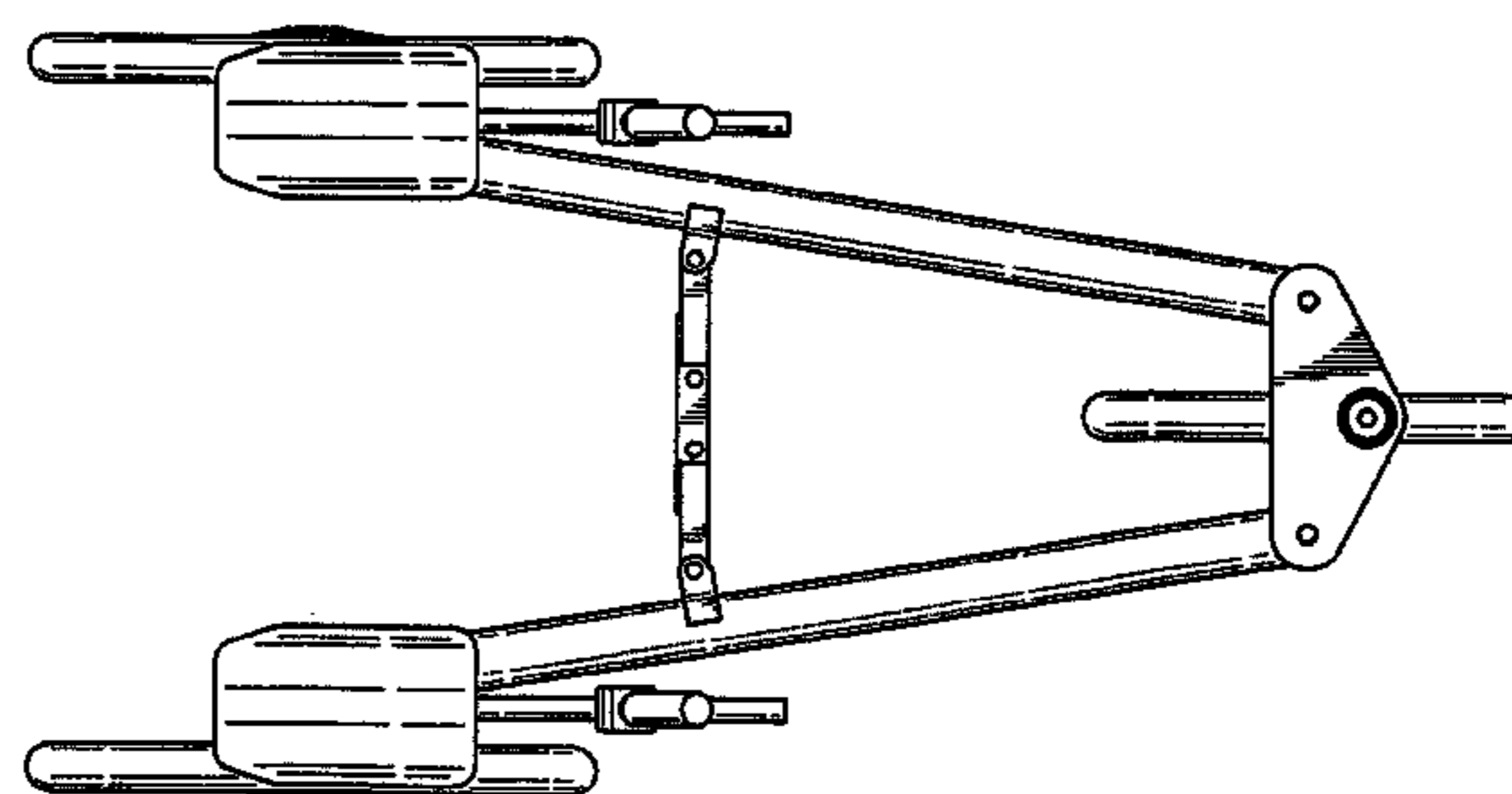
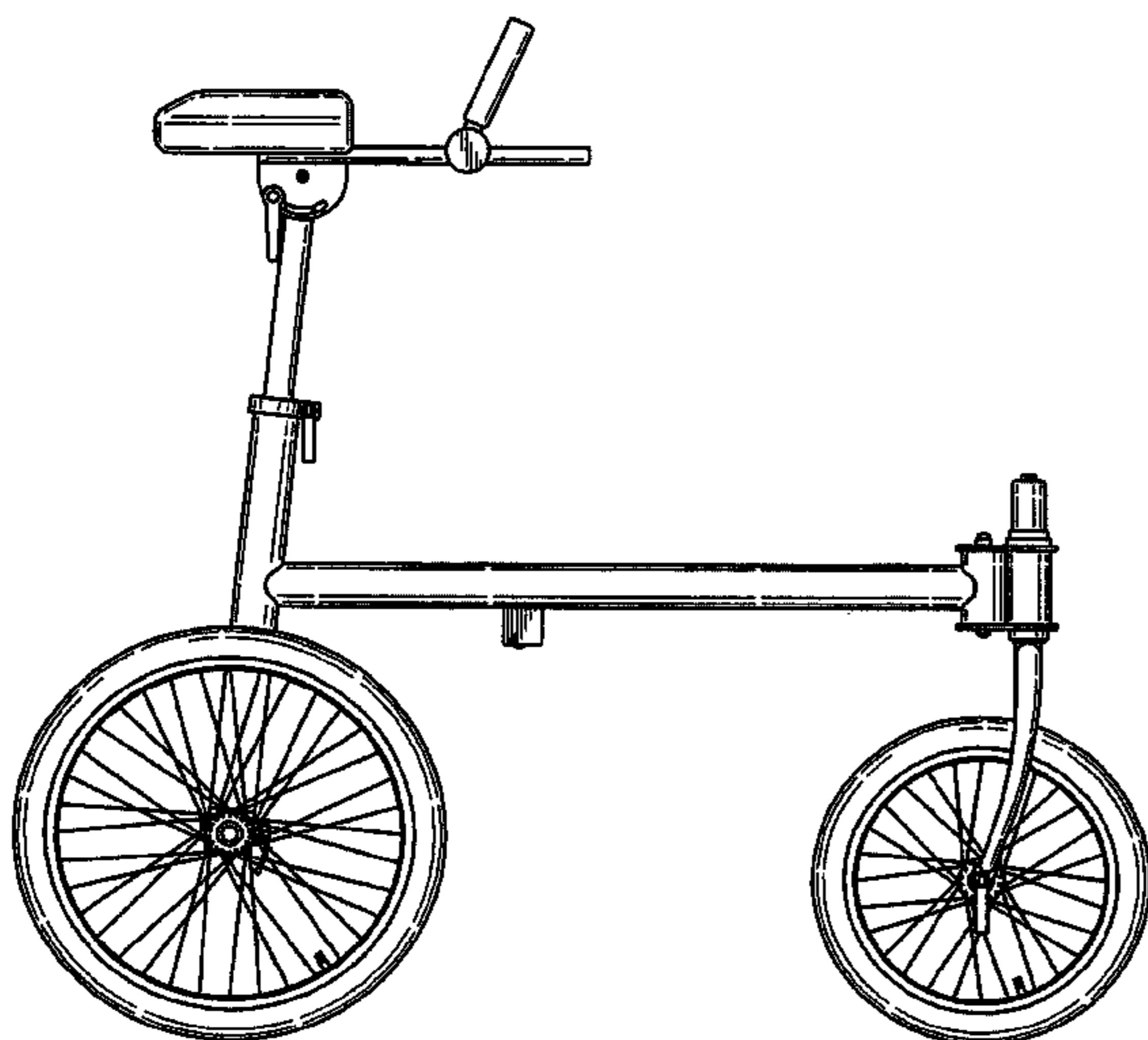
FIG. 3 is an opposite side view of FIG. 1;

FIG. 4 is a bottom view thereof;

FIG. 5 is a rear view thereof; and,

FIG. 6 is a front view thereof.

**1 Claim, 4 Drawing Sheets**



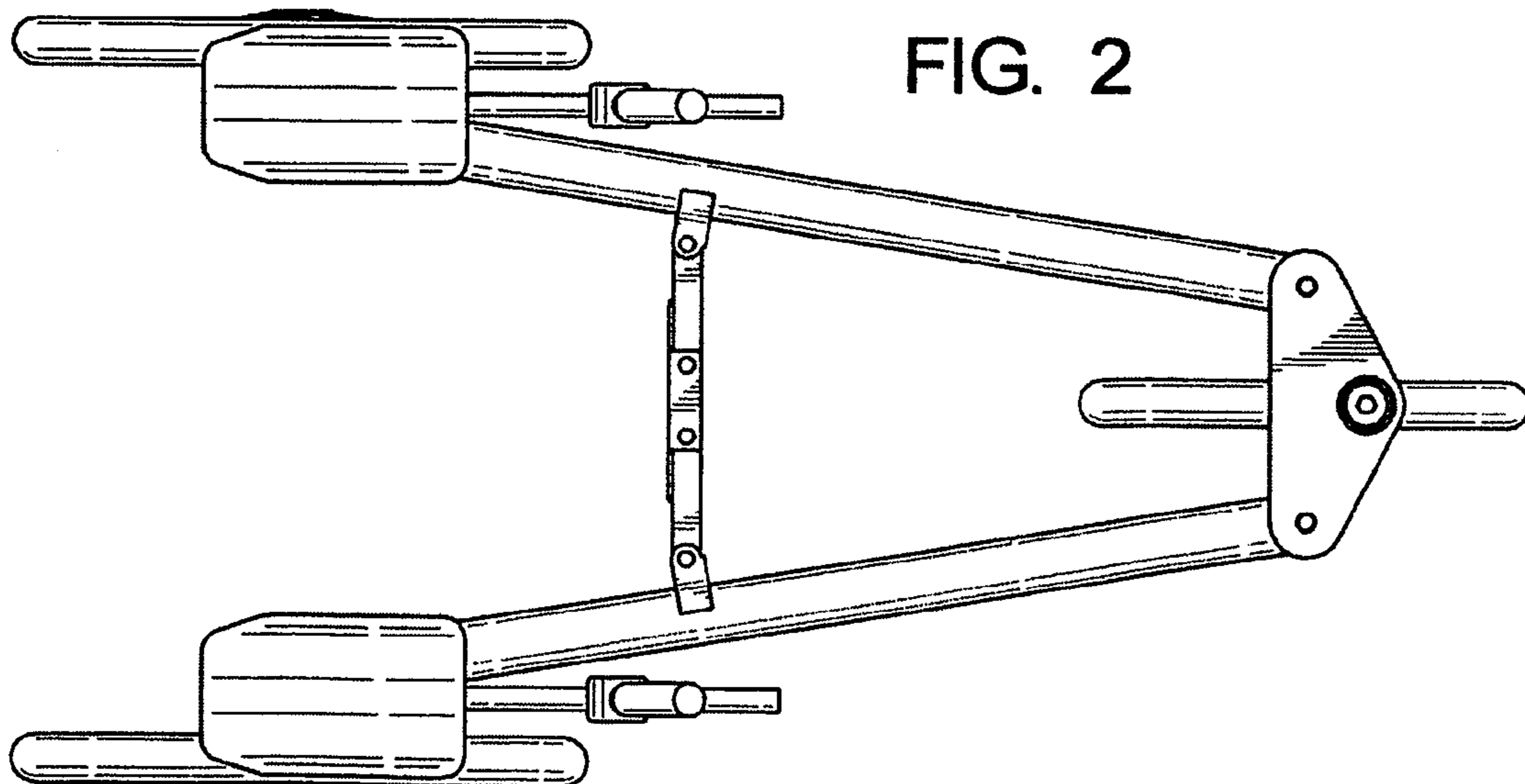
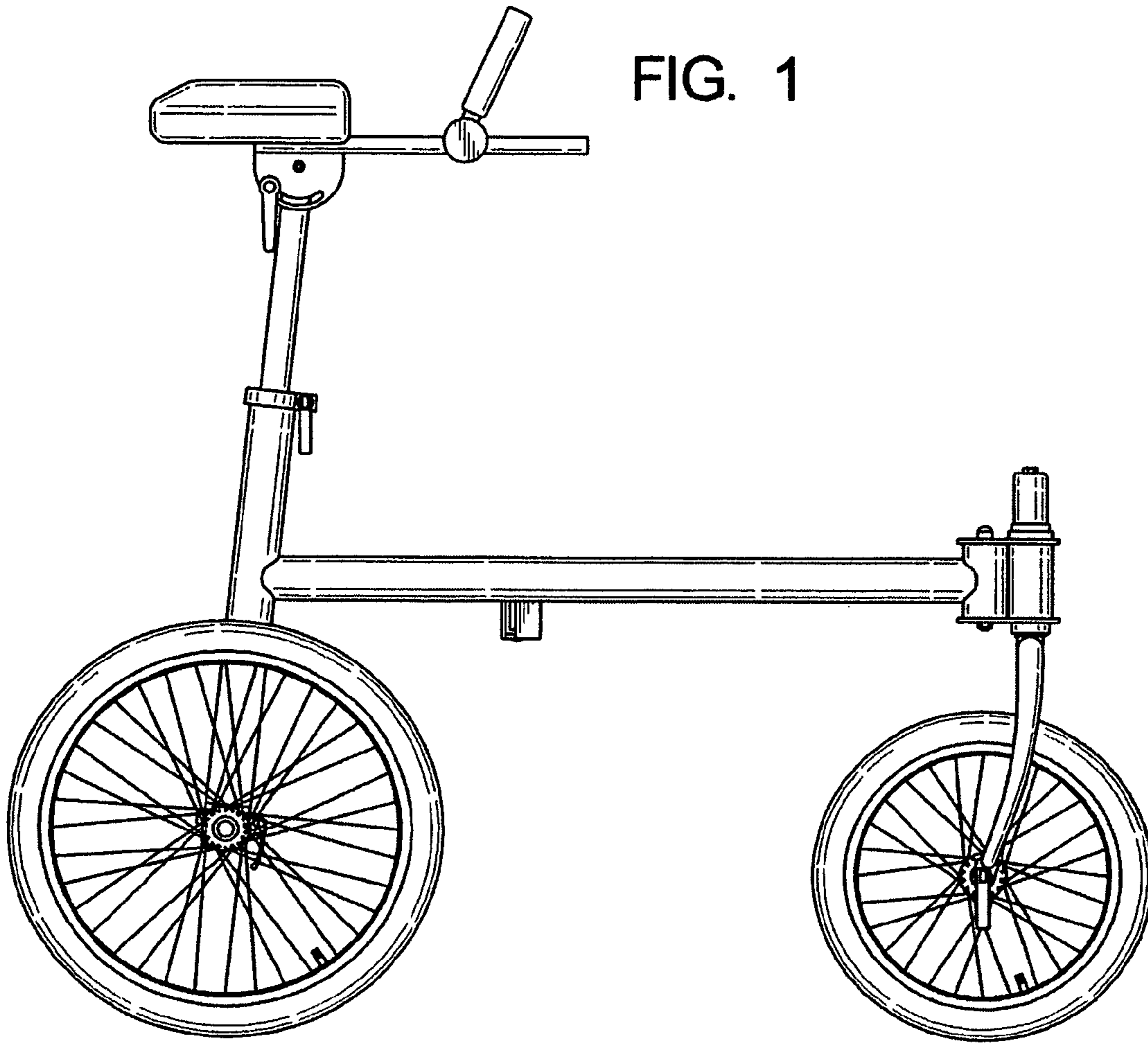


FIG. 3

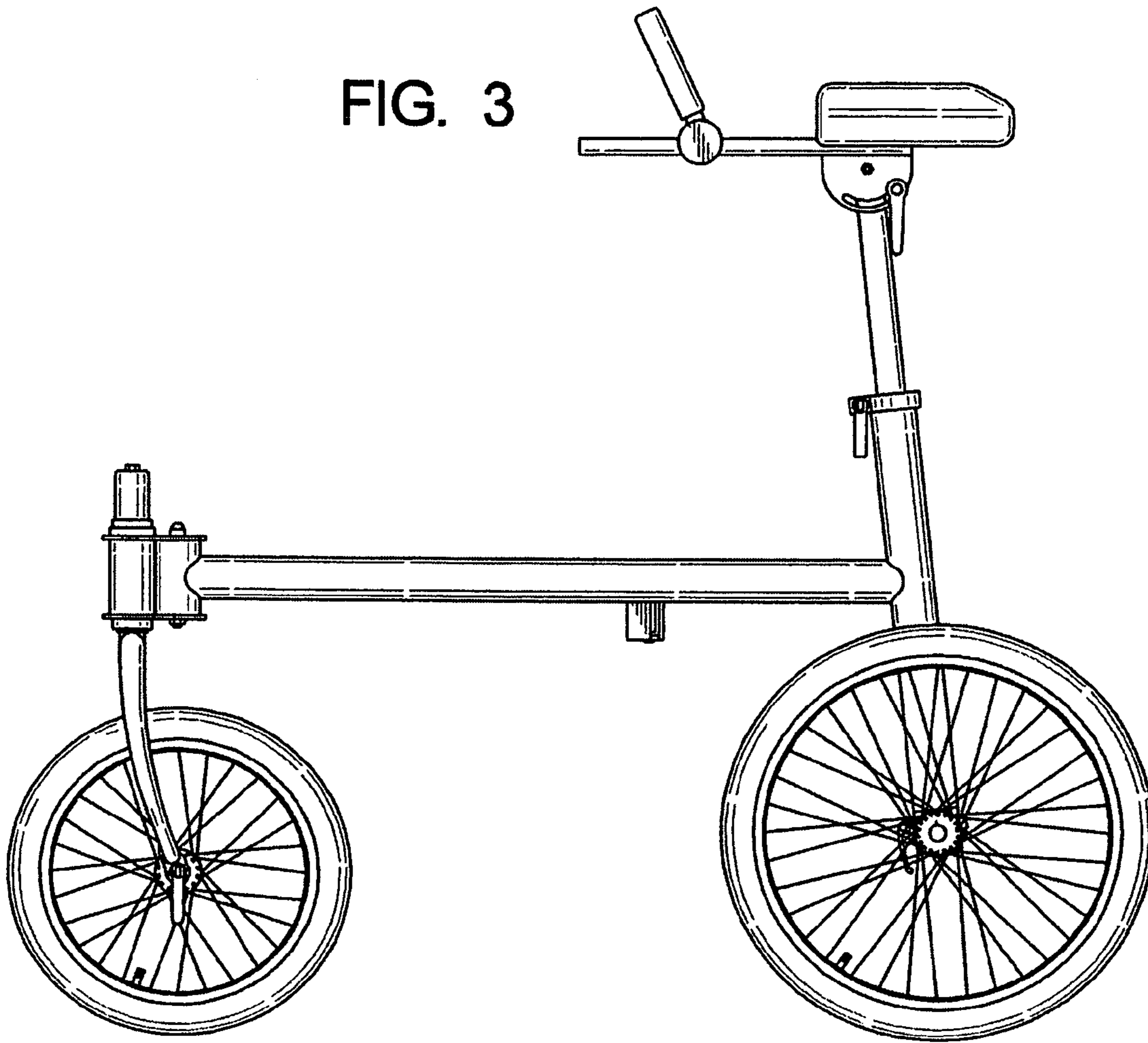


FIG. 4

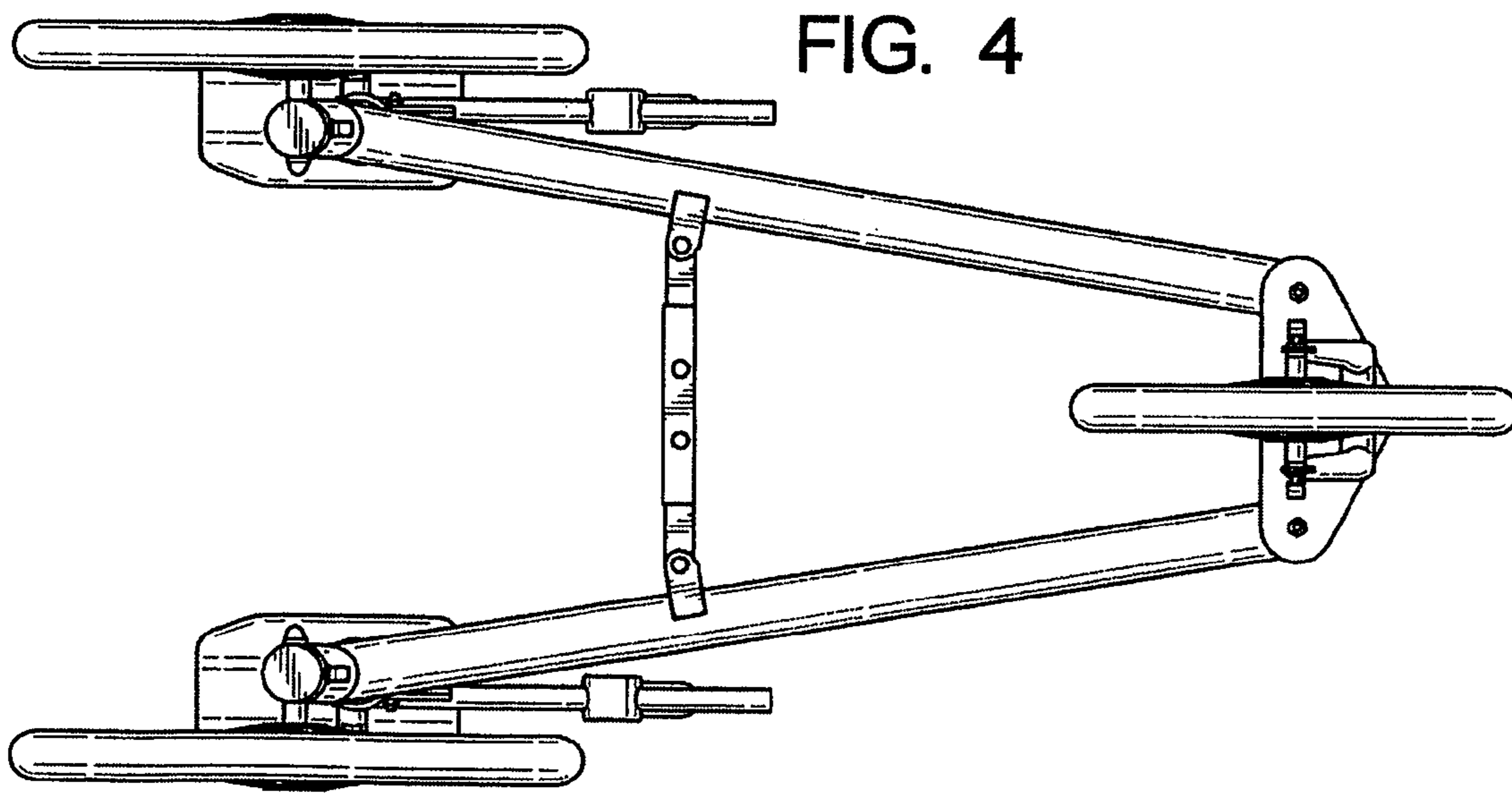


FIG. 5

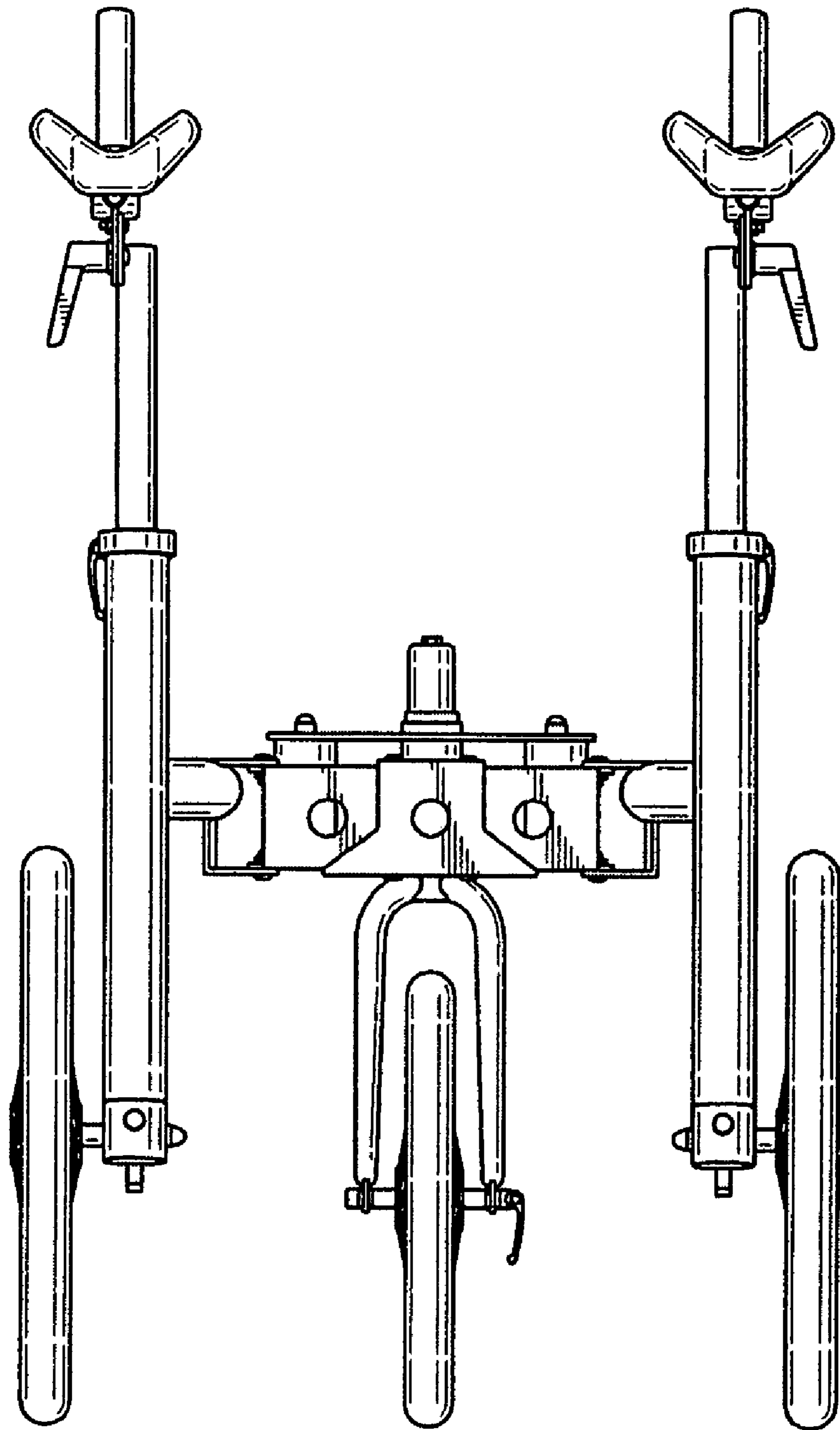




FIG. 6

