



US00D567719S

(12) **United States Design Patent**
Grossman

(10) **Patent No.:** **US D567,719 S**
(45) **Date of Patent:** **** Apr. 29, 2008**

(54) **LIGHT-EMITTING BACKPLATE FOR A TRICYCLE**

(75) Inventor: **Martin Grossman**, Glasgow (GB)

(73) Assignee: **H Grossman Limited**, Glasgow (GB)

(**) Term: **14 Years**

(21) Appl. No.: **29/248,013**

(22) Filed: **Jul. 25, 2006**

(30) **Foreign Application Priority Data**

Jan. 25, 2006 (GB) 0601500
Jan. 25, 2006 (GB) 3023759

(51) **LOC (8) Cl.** **12-11**

(52) **U.S. Cl.** **D12/113**

(58) **Field of Classification Search** D12/112,
D12/113, 203, 204; 280/282, 259, 270, 271,
280/281.1, 288.1-288.3; 362/500; D26/28,
D26/34, 36

See application file for complete search history.

(56) **References Cited**

U.S. PATENT DOCUMENTS

3,091,212 A	5/1963	McCauley	116/50
3,565,489 A	2/1971	Eirinberg et al.	301/37
D373,839 S *	9/1996	Rasul	D26/28
5,584,562 A	12/1996	Geran	362/72
5,683,164 A *	11/1997	Chien	362/500
5,933,076 A	8/1999	Babb	340/475
6,072,386 A	6/2000	Yu	340/432
D436,896 S *	1/2001	Heinemann et al.	D12/113
D484,073 S *	12/2003	Chang et al.	D12/112
6,685,206 B1	2/2004	Blake	280/278
6,690,266 B1	2/2004	Jack et al.	340/432
7,048,421 B1 *	5/2006	Allen-Atkins	362/500

2005/0024884 A1 2/2005 Seminara et al. 362/473

FOREIGN PATENT DOCUMENTS

EP	0 685 384 A1	12/1995
GB	2 322 694 A	9/1998
GB	2 326 513 A	12/1998
GB	2 391 929 A	2/2004
JP	2004-237965	8/2004
JP	2004-331040	11/2004
WO	WO 02/23515 A1	3/2002

* cited by examiner

Primary Examiner—Cathron Brooks

Assistant Examiner—Linda Brooks

(74) *Attorney, Agent, or Firm*—Steptoe & Johnson LLP

(57) **CLAIM**

The ornamental design for a light-emitting backplate for a tricycle, as shown and described.

DESCRIPTION

FIG. 1 is a front, side perspective view of a light-emitting backplate for a tricycle;

FIG. 2 is a rear, side perspective view thereof;

FIG. 3 is a rear, perspective view thereof;

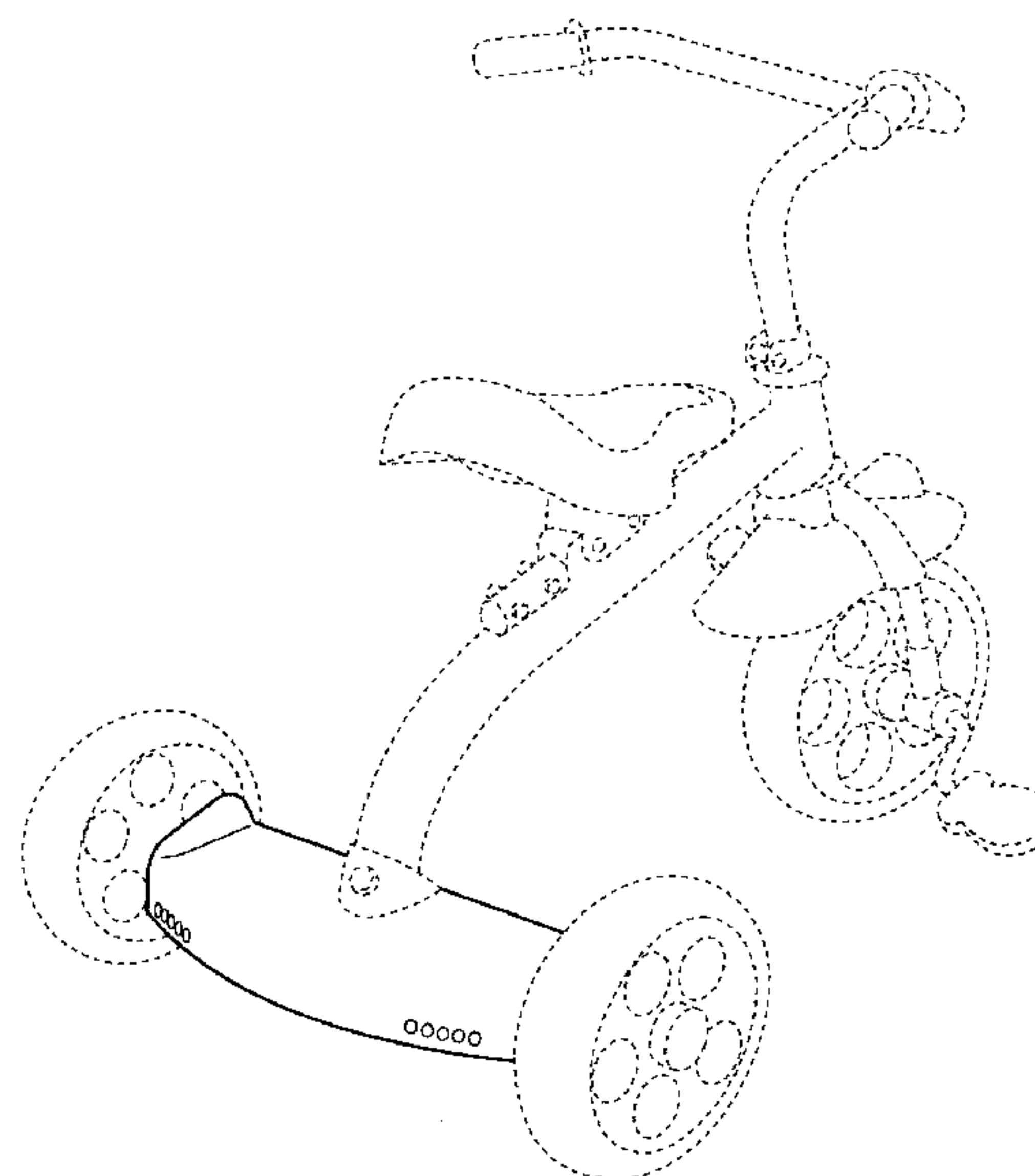
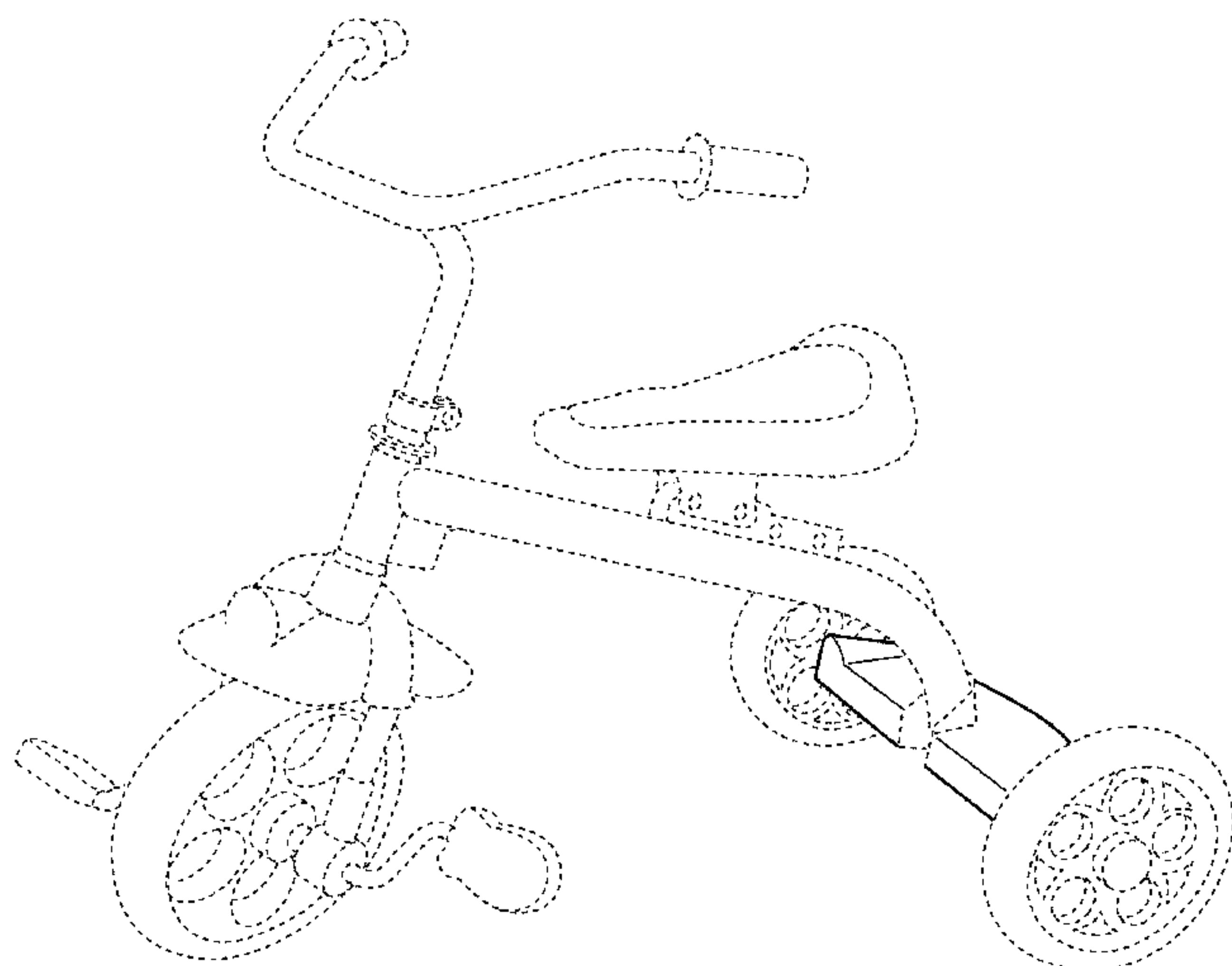
FIG. 4 is another rear, perspective view thereof; and,

FIG. 5 is an enlarged rear, perspective view thereof.

The portions of a tricycle shown in broken lines in FIGS. 1-5, including handle bars, wheels, pedals, seat, and body other than the backplate denote the environmental use of the claimed design and form no part of the claimed design.

The portions of the backplate shown in broken lines in FIG. 5 including regions for coupling the backplate to the back wheels and to a portion of the body of the tricycle denote the environmental use of the claimed design and form no part of the claimed design.

1 Claim, 5 Drawing Sheets



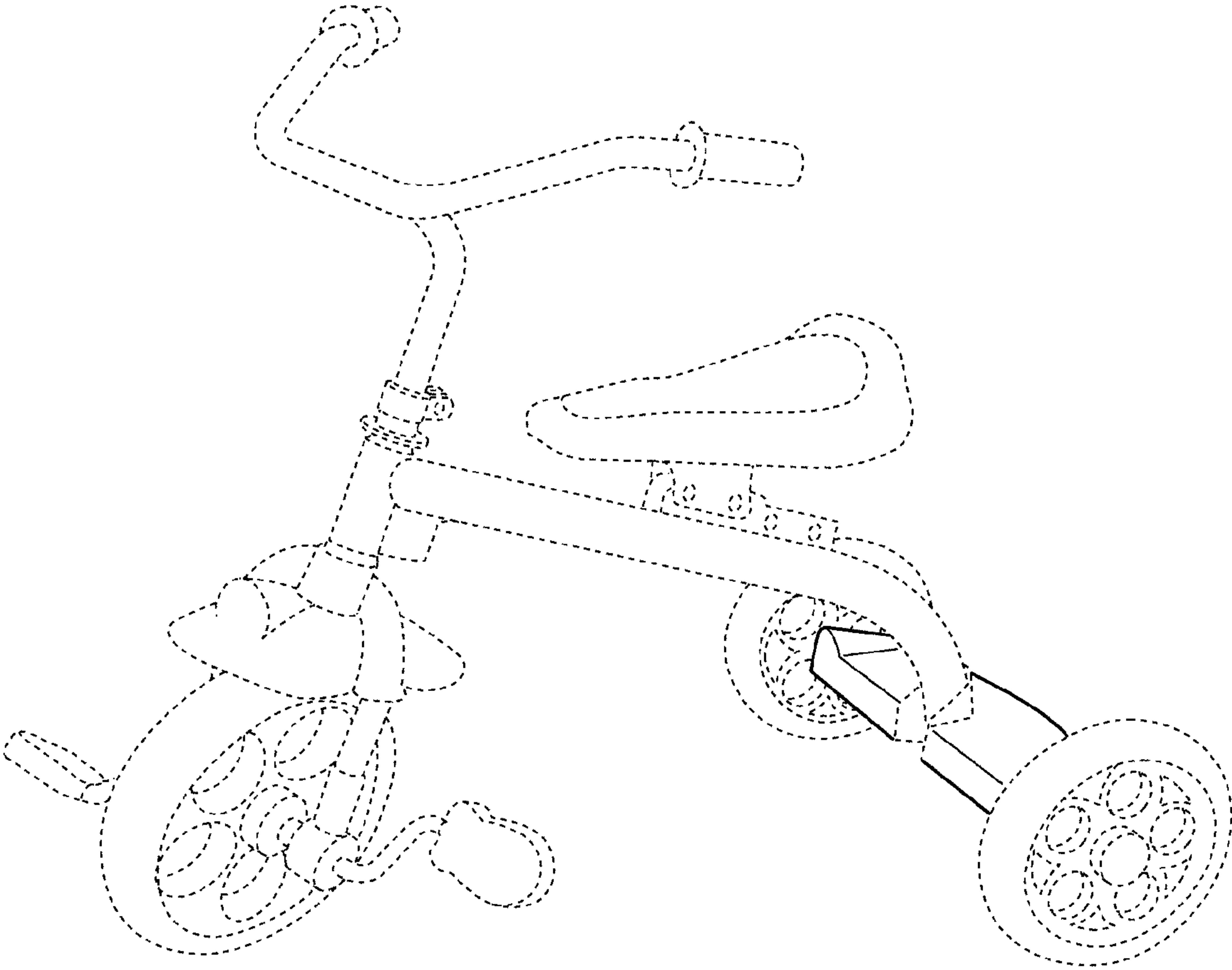


FIG. 1

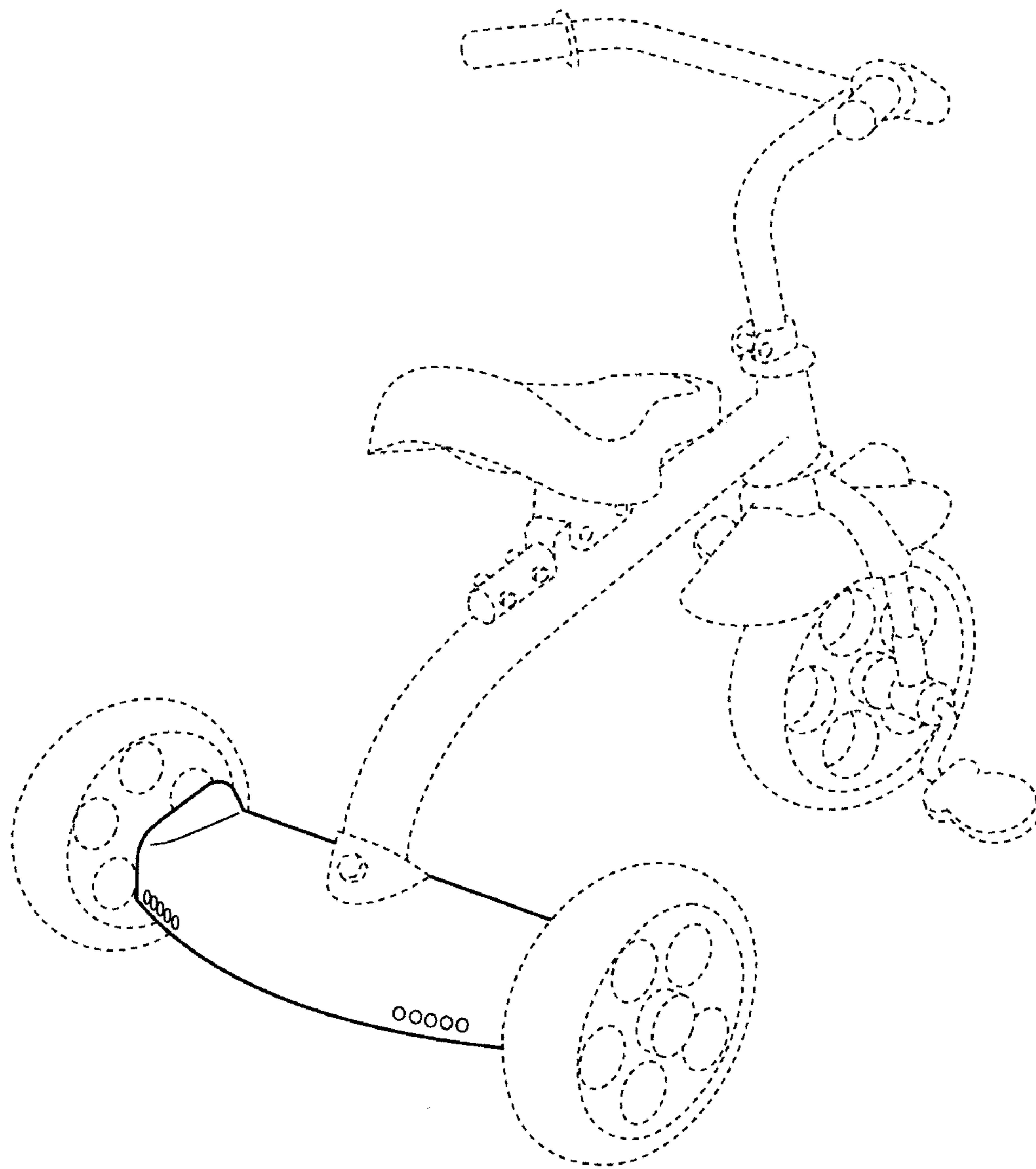


FIG. 2

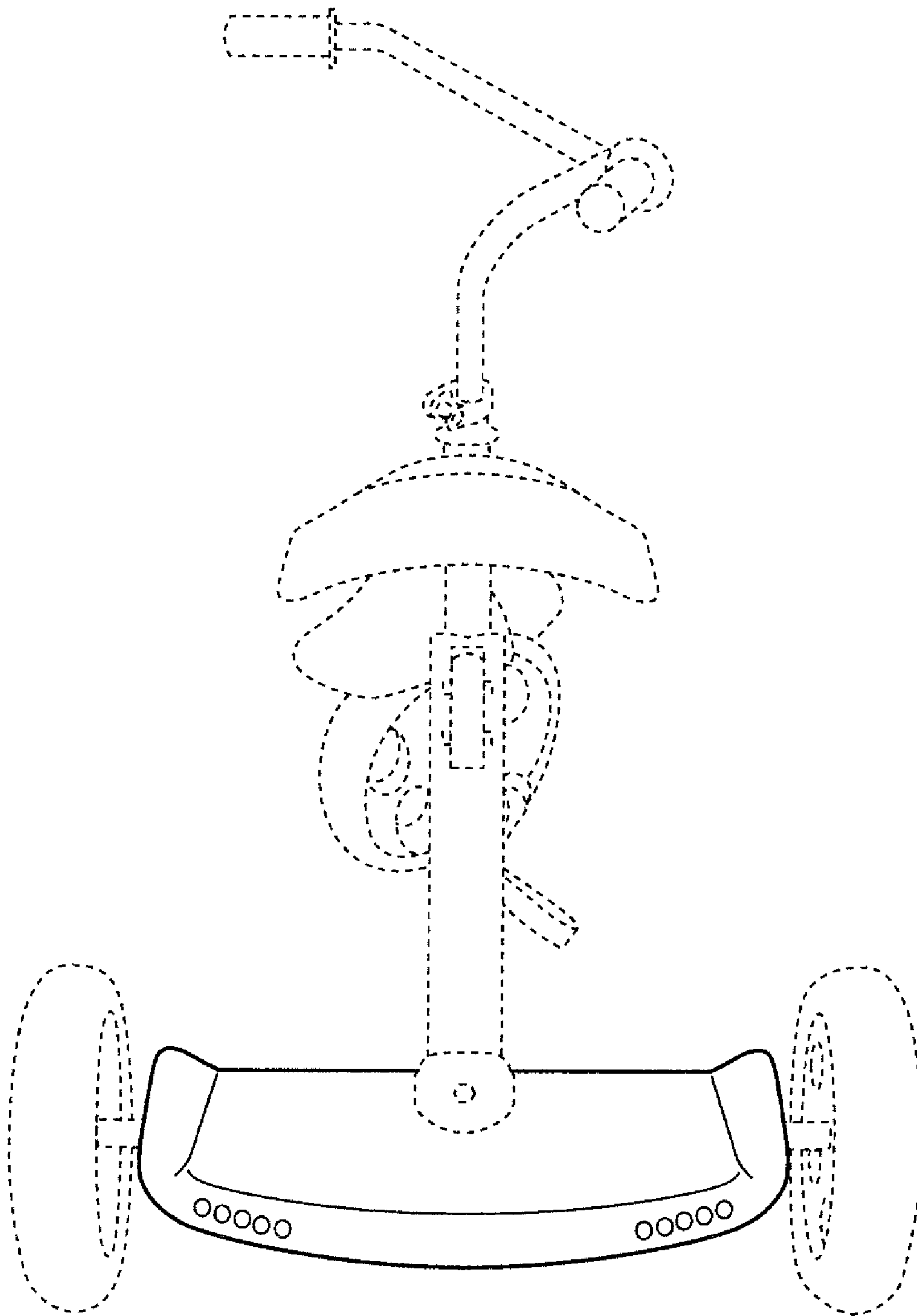


FIG. 3

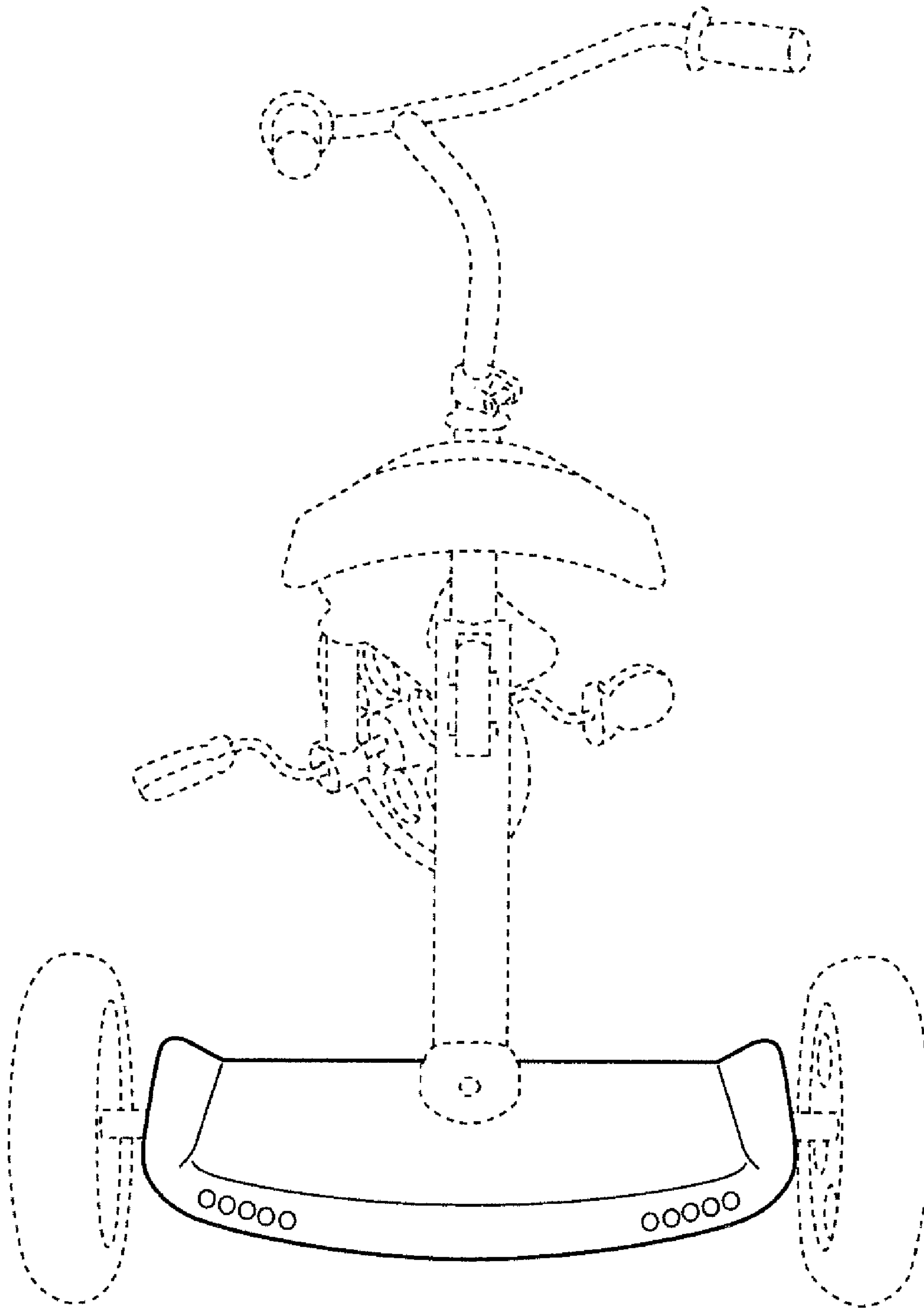


FIG. 4

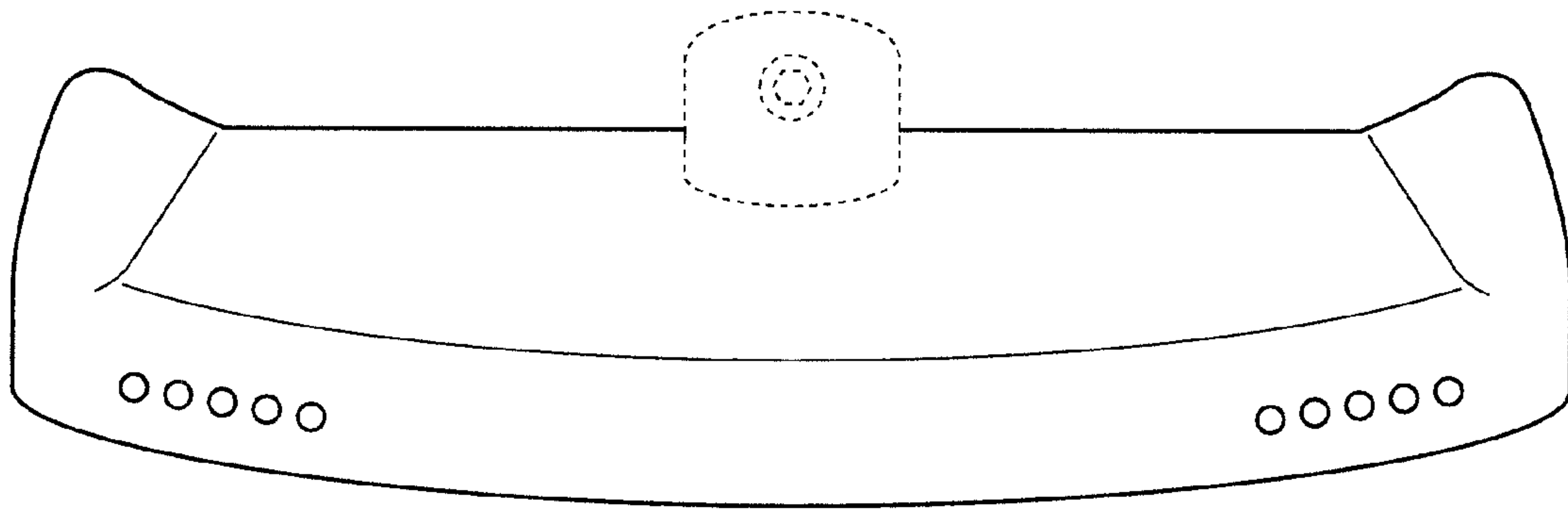


FIG .5