



US00D567712S

(12) **United States Design Patent**
Brazier

(10) **Patent No.:** **US D567,712 S**

(45) **Date of Patent:** **** Apr. 29, 2008**

(54) **MOTORIZED SNOWBOARD**

(76) **Inventor:** **Glen Brazier**, P.O. Box 214, Karlstad,
MN (US) 56732-0214

(**) **Term:** **14 Years**

(21) **Appl. No.:** **29/271,188**

(22) **Filed:** **Jan. 11, 2007**

(51) **LOC (8) Cl.** **12-14**

(52) **U.S. Cl.** **D12/8**

(58) **Field of Classification Search** 180/181,
180/189, 191-193, 9, 9.1, 25.8, 44, 9.28,
180/185, 184, 190; D12/7, 8, 1, 107; 280/28,
280/28.5, 21, 21.1; D21/767, 423
See application file for complete search history.

(56) **References Cited**

U.S. PATENT DOCUMENTS

D192,912 S *	5/1962	Weige et al.	D12/85
D199,384 S *	10/1964	Laher	D12/85
D205,174 S *	6/1966	Dinkel	D12/1
4,307,788 A *	12/1981	Shelton	180/181
5,516,126 A *	5/1996	Myers	280/14.28
D476,599 S *	7/2003	Whittington	D12/7

6,698,540 B1 *	3/2004	Decker, Jr.	180/181
2004/0163868 A1 *	8/2004	Decker, Jr.	180/181

* cited by examiner

Primary Examiner—Robert M. Spear
Assistant Examiner—Anne K Dworzecka
(74) *Attorney, Agent, or Firm*—D L Tschida

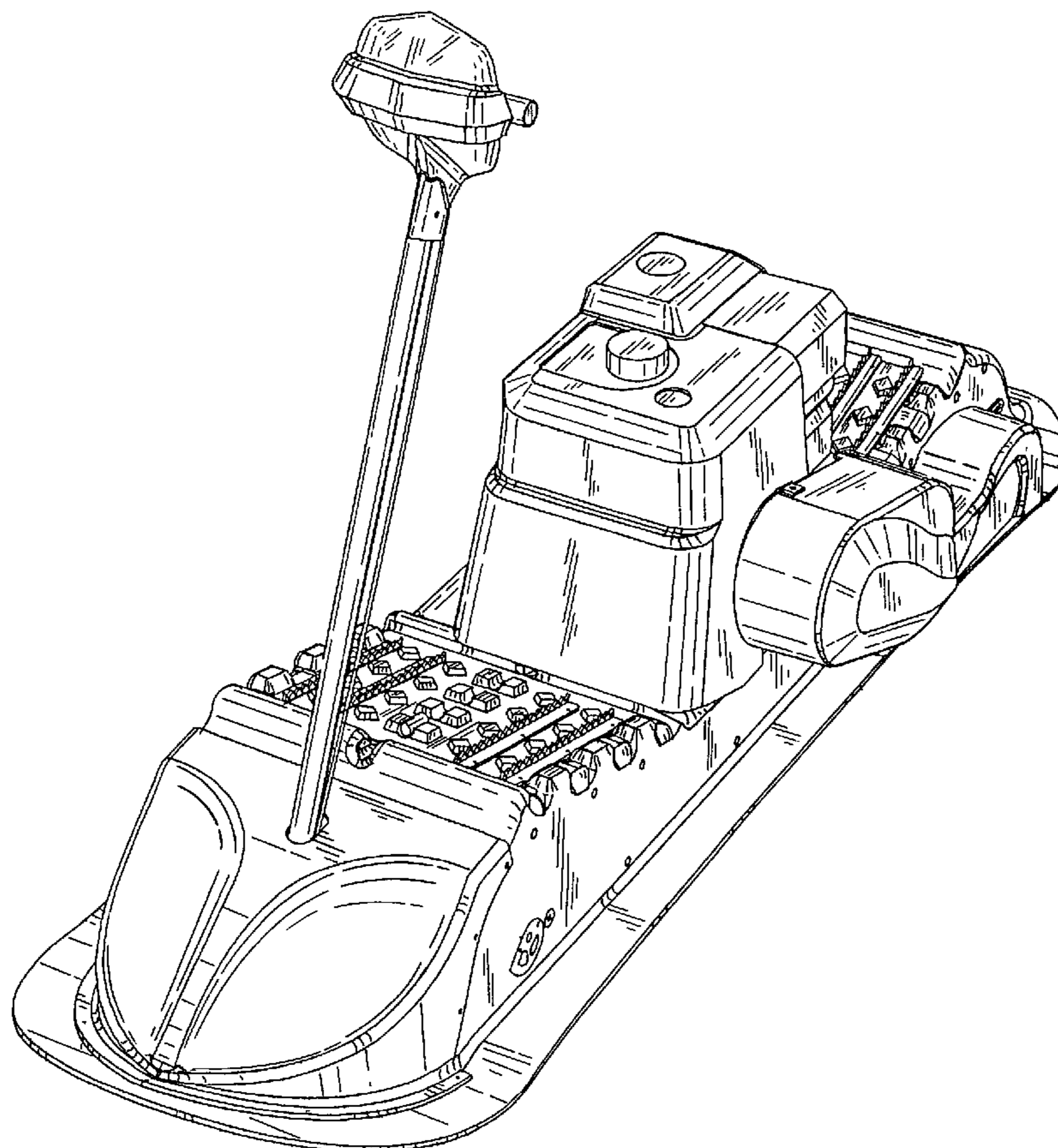
(57) **CLAIM**

The ornamental design for a motorized snowboard, as shown and described.

DESCRIPTION

FIG. 1 is a perspective drawing showing front, right side and top views of my new design for a motorized snowboard.
FIG. 2 is a drawing showing a right side view thereof;
FIG. 3 is a drawing showing a left side view thereof;
FIG. 4 is a top view thereof;
FIG. 5 is a bottom view thereof;
FIG. 6 is a front view thereof; and,
FIG. 7 is a rear view thereof.

1 Claim, 6 Drawing Sheets



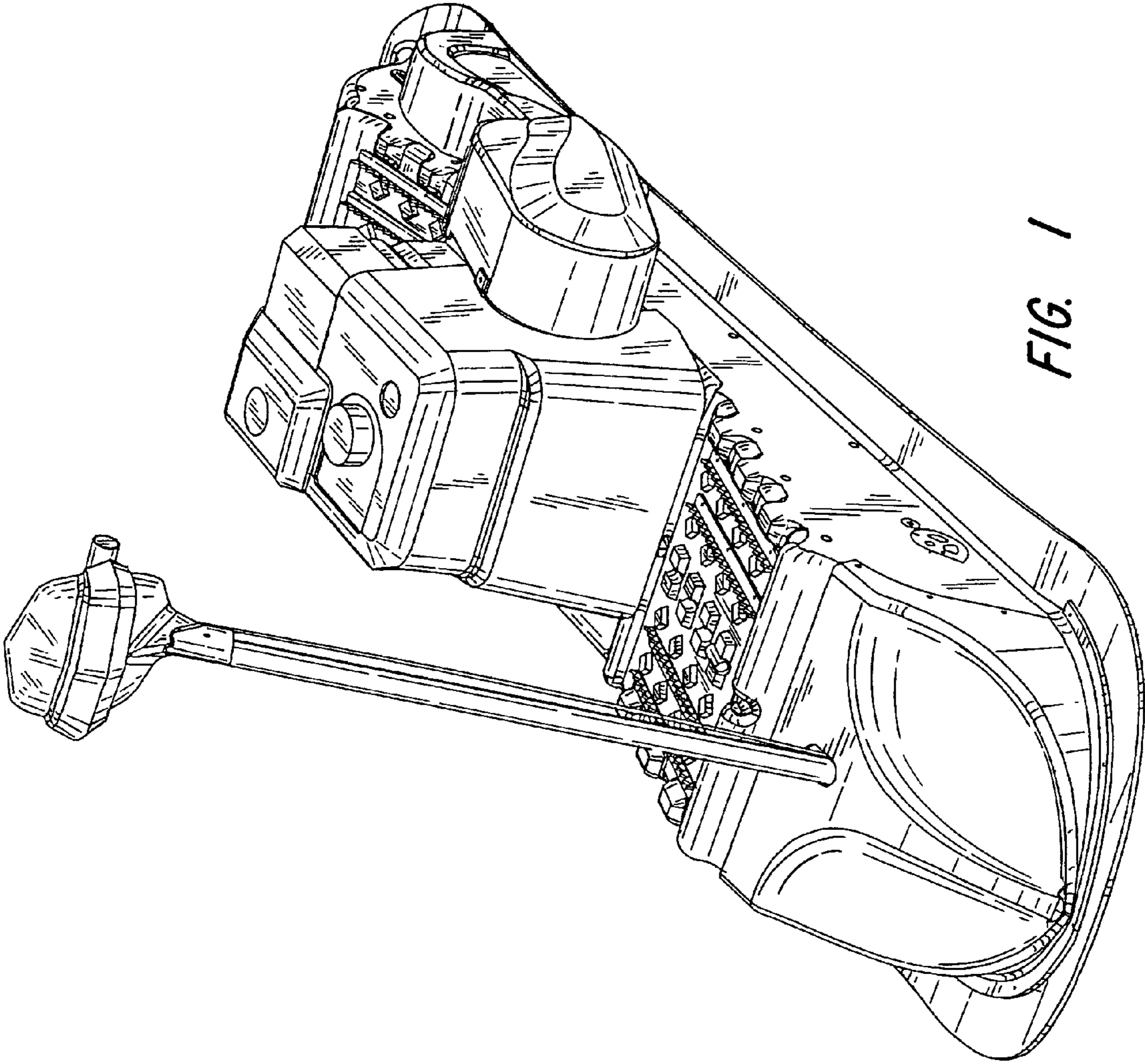


FIG. 1

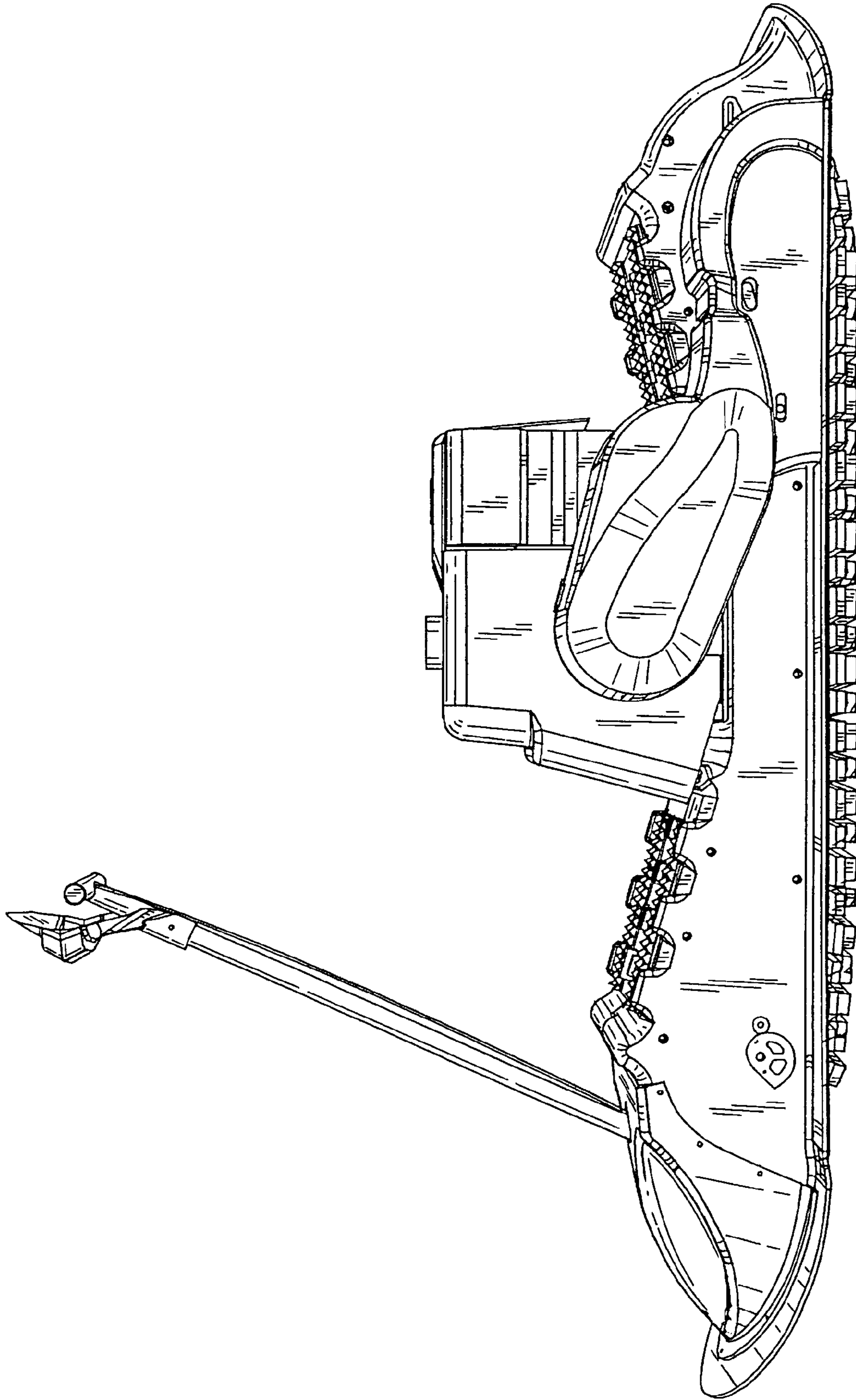


FIG. 2

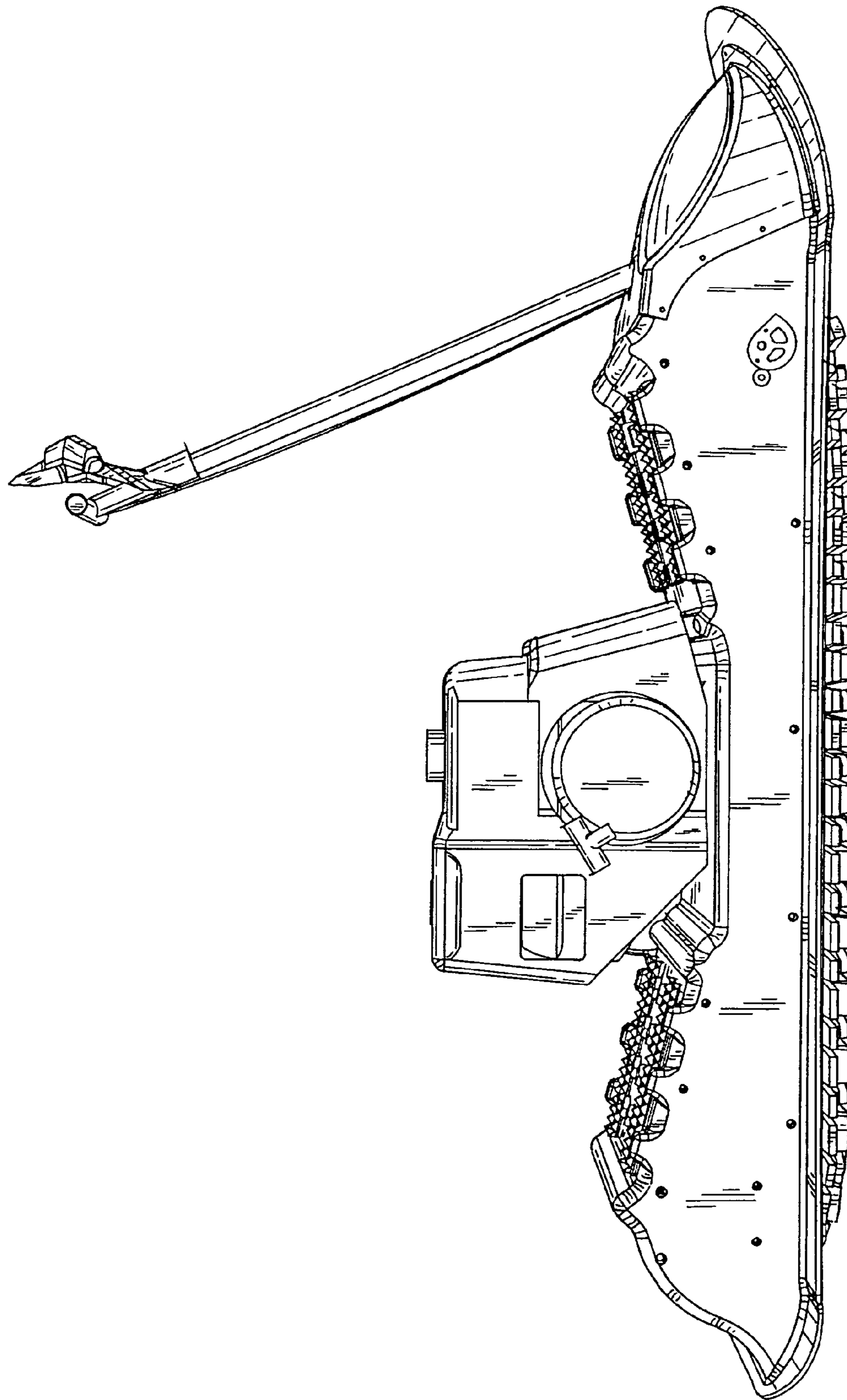


FIG. 3

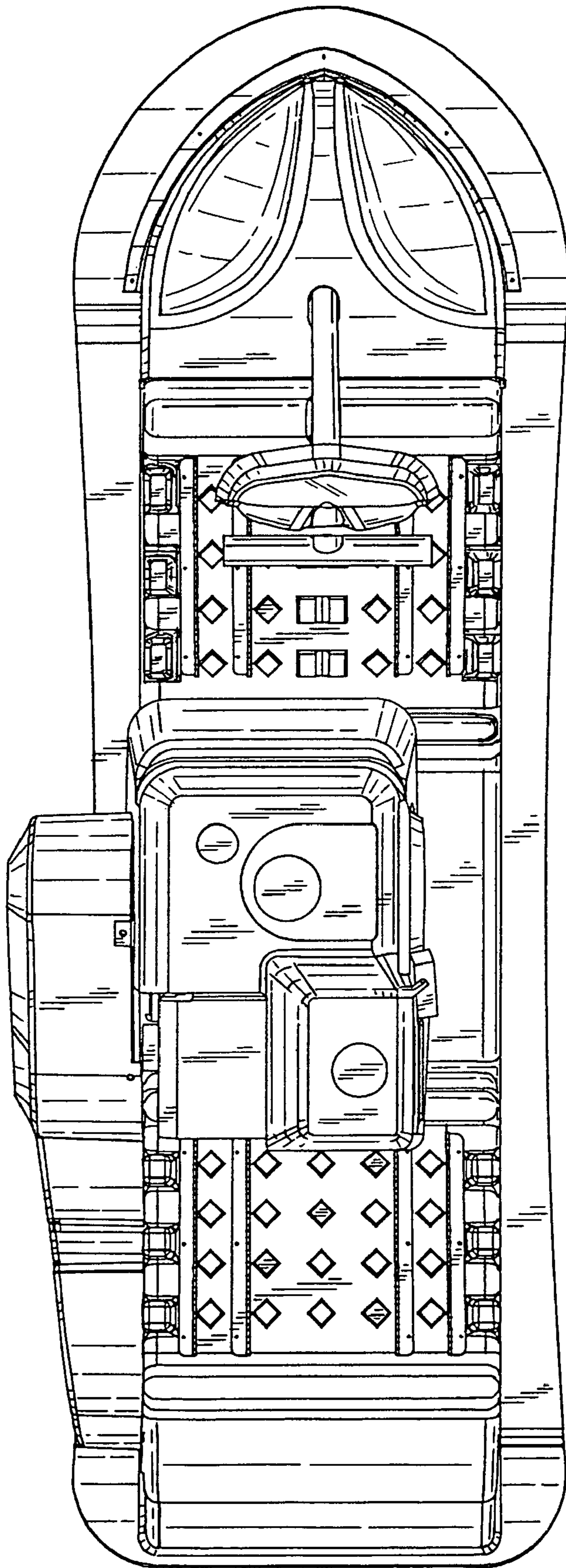


FIG. 4

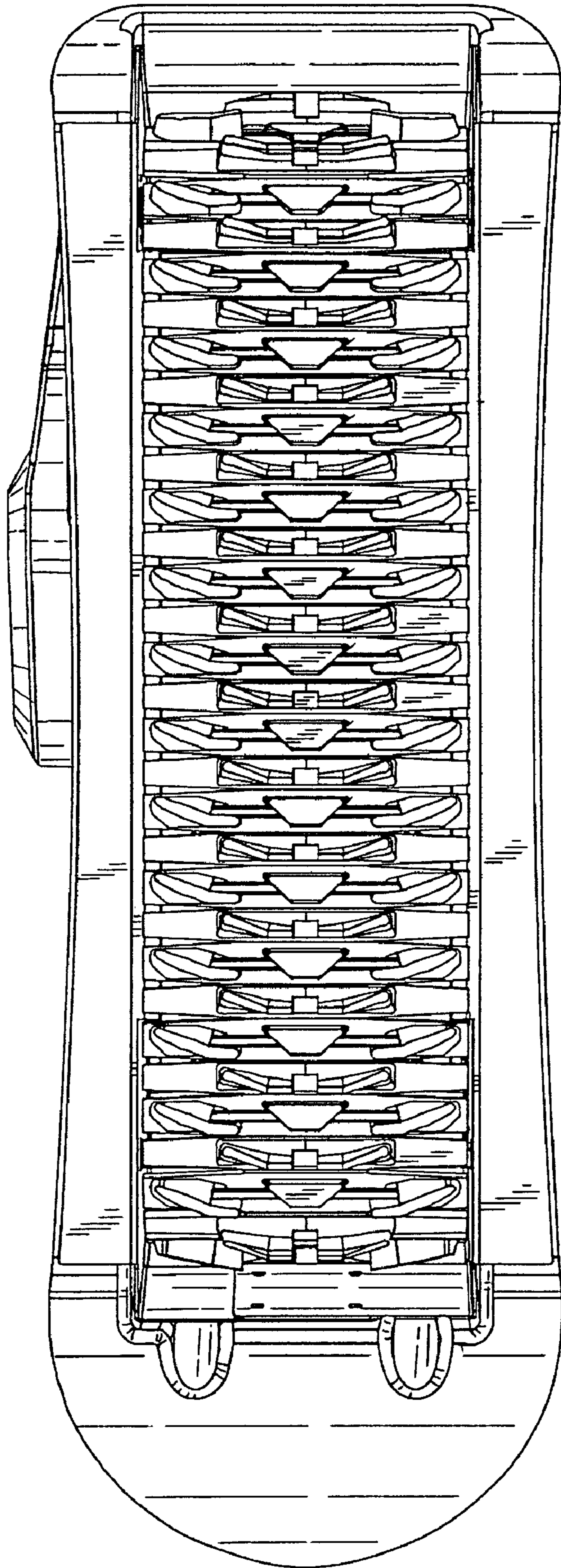


FIG. 5

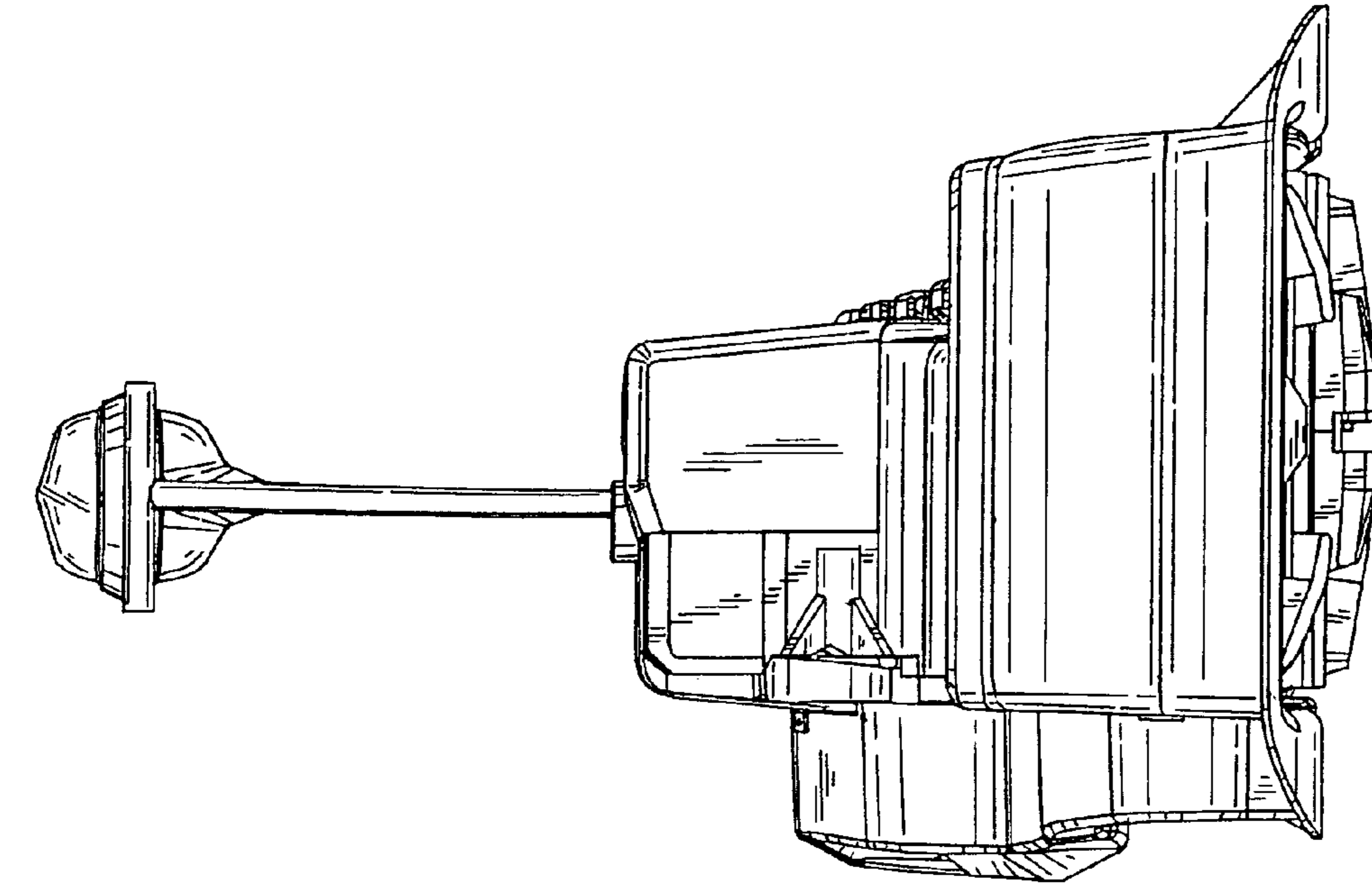


FIG. 7

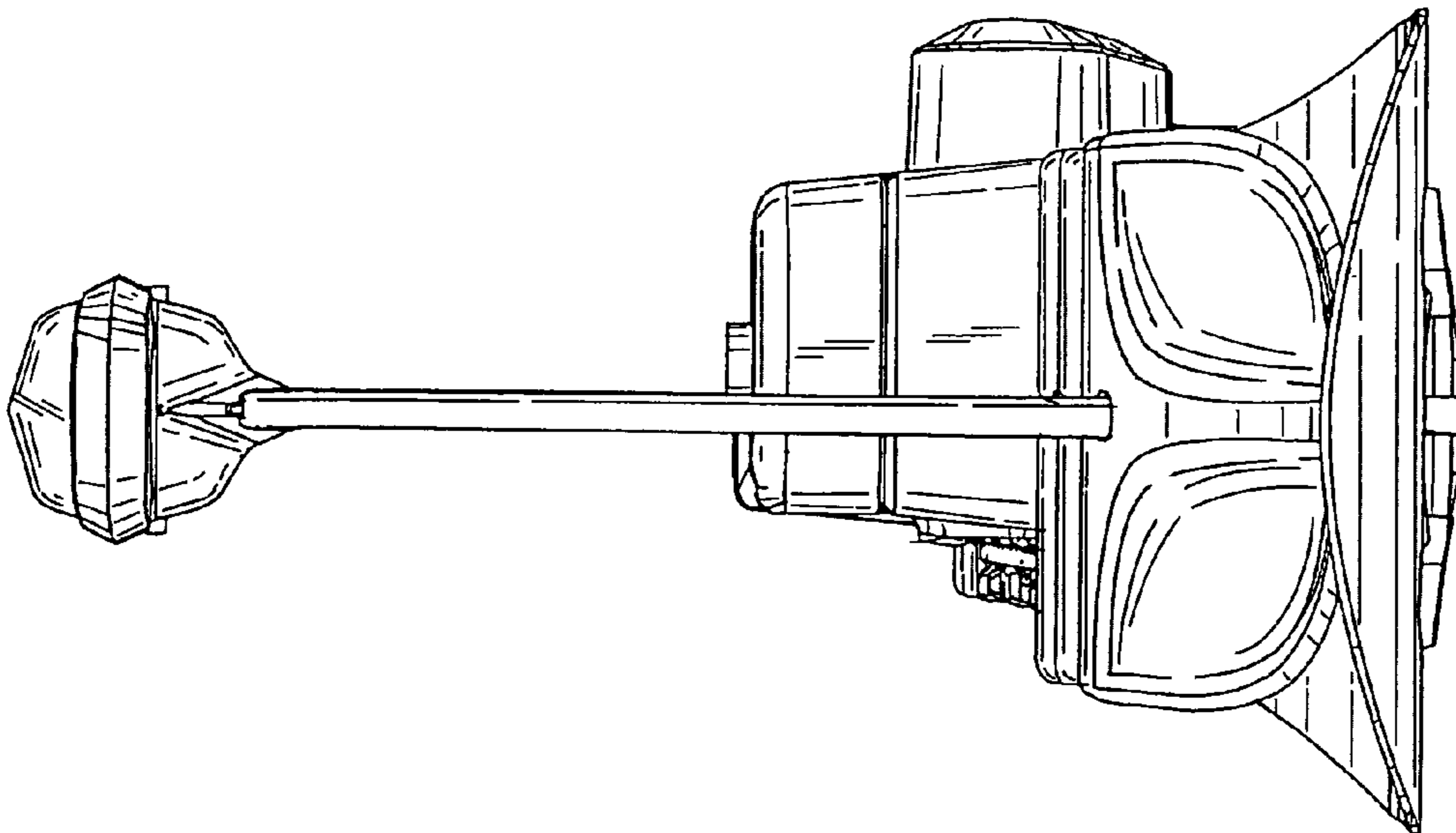


FIG. 6