



US00D567710S

(12) **United States Design Patent**  
**Kolasa et al.**

(10) **Patent No.:** **US D567,710 S**  
(45) **Date of Patent:** **\*\* Apr. 29, 2008**

(54) **SIDE RELEASE BUCKLE**

**DESCRIPTION**

- (75) Inventors: **Scott D. Kolasa**, Mount Prospect, IL (US); **John S. Pontaoe**, Chicago, IL (US)
- (73) Assignee: **Illinois Tool Works Inc.**, Glenview, IL (US)
- (\*\*) Term: **14 Years**
- (21) Appl. No.: **29/284,966**
- (22) Filed: **Sep. 19, 2007**
- (51) **LOC (8) Cl.** ..... **02-07**
- (52) **U.S. Cl.** ..... **D11/216**
- (58) **Field of Classification Search** ..... D11/200–201, D11/206–210, 214–216, 218; 24/163 R, 24/169–171, 179, 191, 194, 195, 197, 200  
See application file for complete search history.

FIG. 1 is a perspective view of a female component of a side release buckle showing the new design;  
 FIG. 2 is a top plan view thereof;  
 FIG. 3 is a bottom plan view thereof;  
 FIG. 4 is a left side elevational view thereof;  
 FIG. 5 is a right side elevational view thereof;  
 FIG. 6 is a first end elevational view thereof; and  
 FIG. 7 is a second end elevational view thereof;  
 FIG. 8 is a perspective view of a male component of a side release buckle showing the new design;  
 FIG. 9 is a bottom plan view thereof;  
 FIG. 10 is a top plan view thereof;  
 FIG. 11 is a left side elevational view thereof;  
 FIG. 12 is a right side elevational view thereof;  
 FIG. 13 is a first end elevational view thereof; and  
 FIG. 14 is a second end elevational view thereof;  
 FIG. 15 is a perspective view of a side release buckle including the female and male components of FIGS. 1–14 showing the new design;  
 FIG. 16 is a top plan view thereof;  
 FIG. 17 is a bottom plan view thereof;  
 FIG. 18 is a right side elevational view thereof;  
 FIG. 19 is a left side elevational view thereof;  
 FIG. 20 is a first end elevational view thereof; and,  
 FIG. 21 is a second end elevational view thereof.

(56) **References Cited**

**U.S. PATENT DOCUMENTS**

- D402,589 S \* 12/1998 Lundstedt ..... D11/216
- D471,130 S \* 3/2003 Lai ..... D11/216
- D521,411 S \* 5/2006 Moeller et al. .... D11/216
- D527,308 S \* 8/2006 Buscart ..... D11/216

\* cited by examiner

*Primary Examiner*—Ralf Seifert

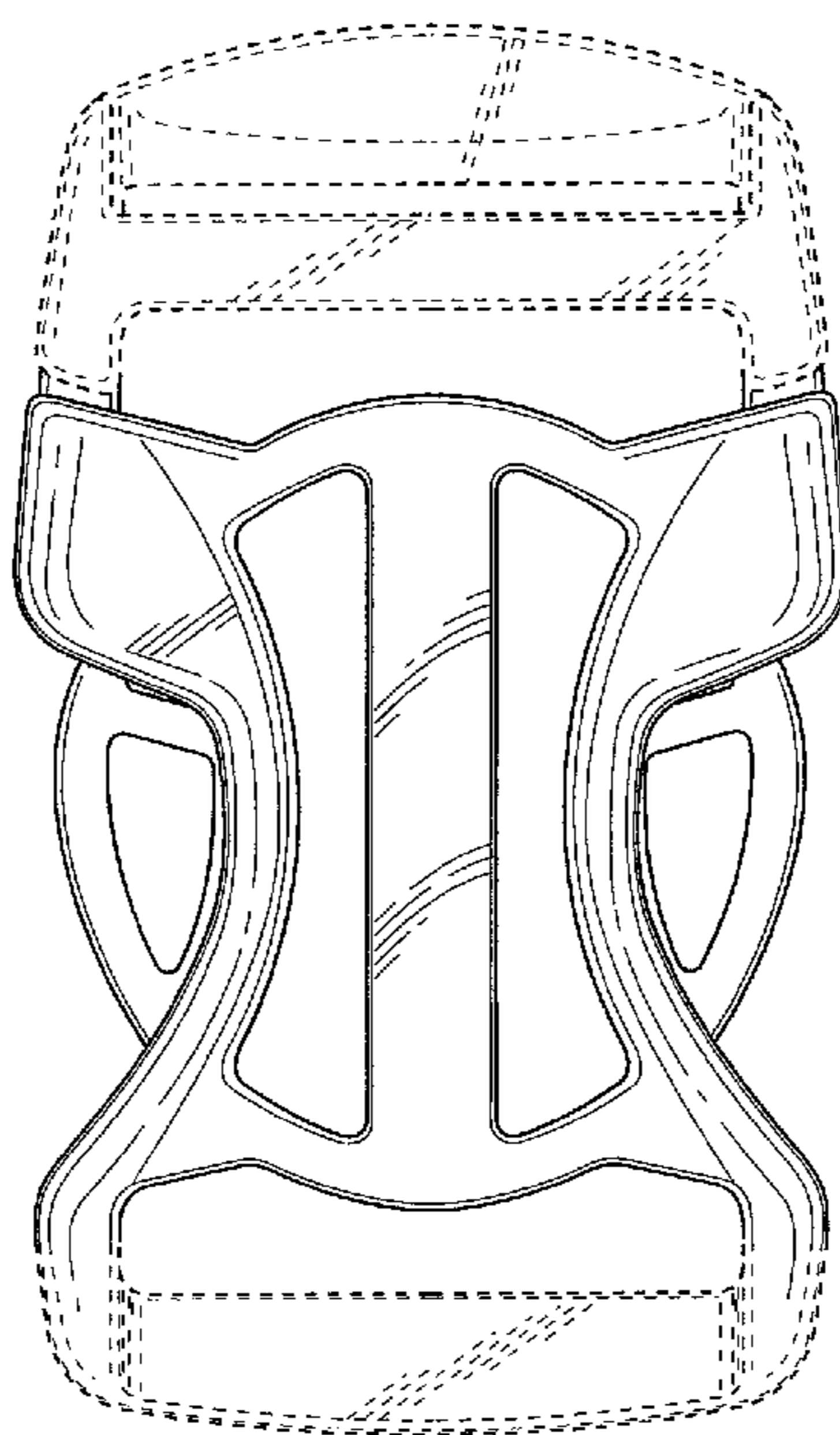
(74) *Attorney, Agent, or Firm*—Mark W. Croll; Paul F. Donovan

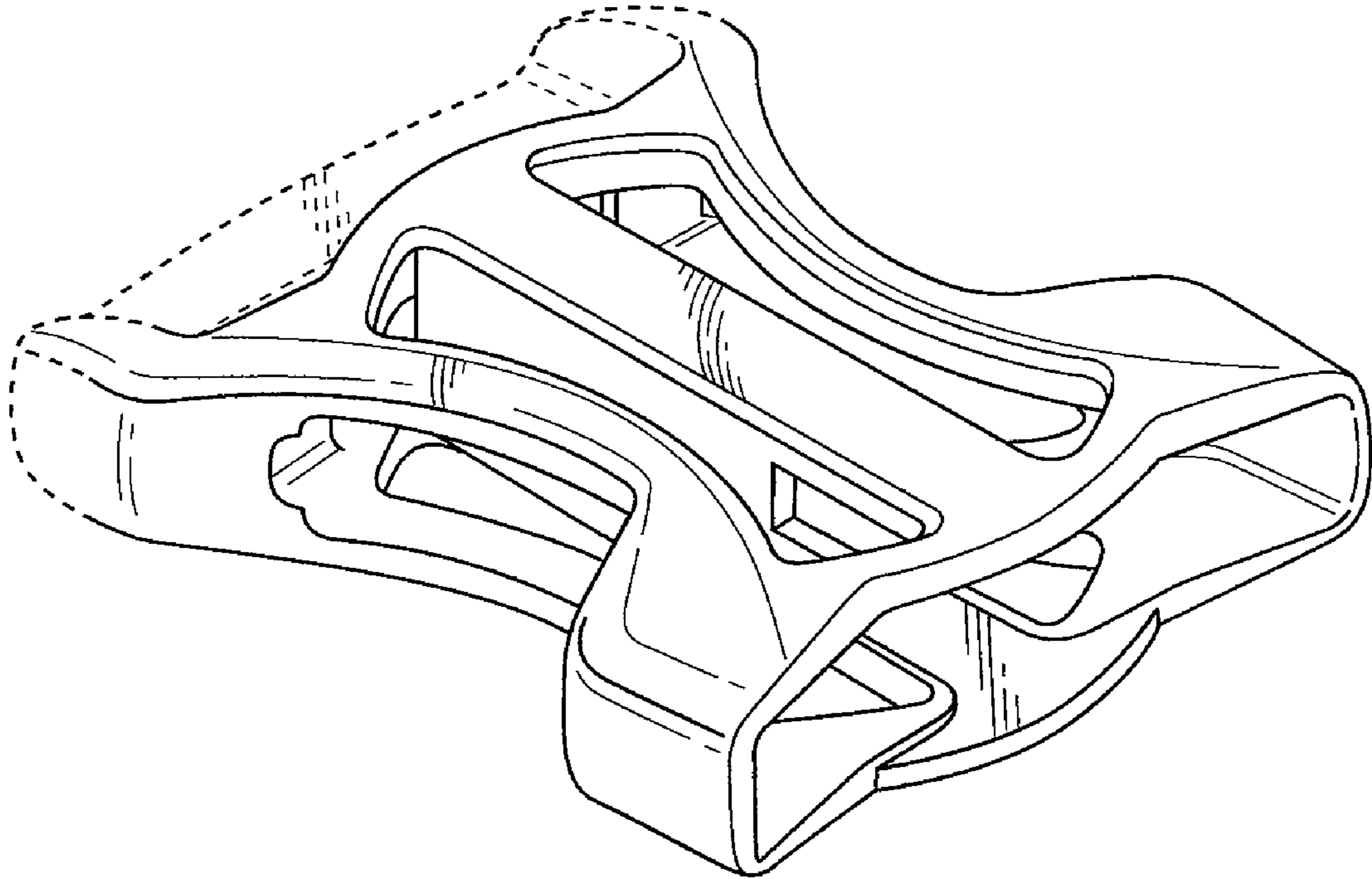
(57) **CLAIM**

The ornamental design for a side release buckle, as shown and described herein.

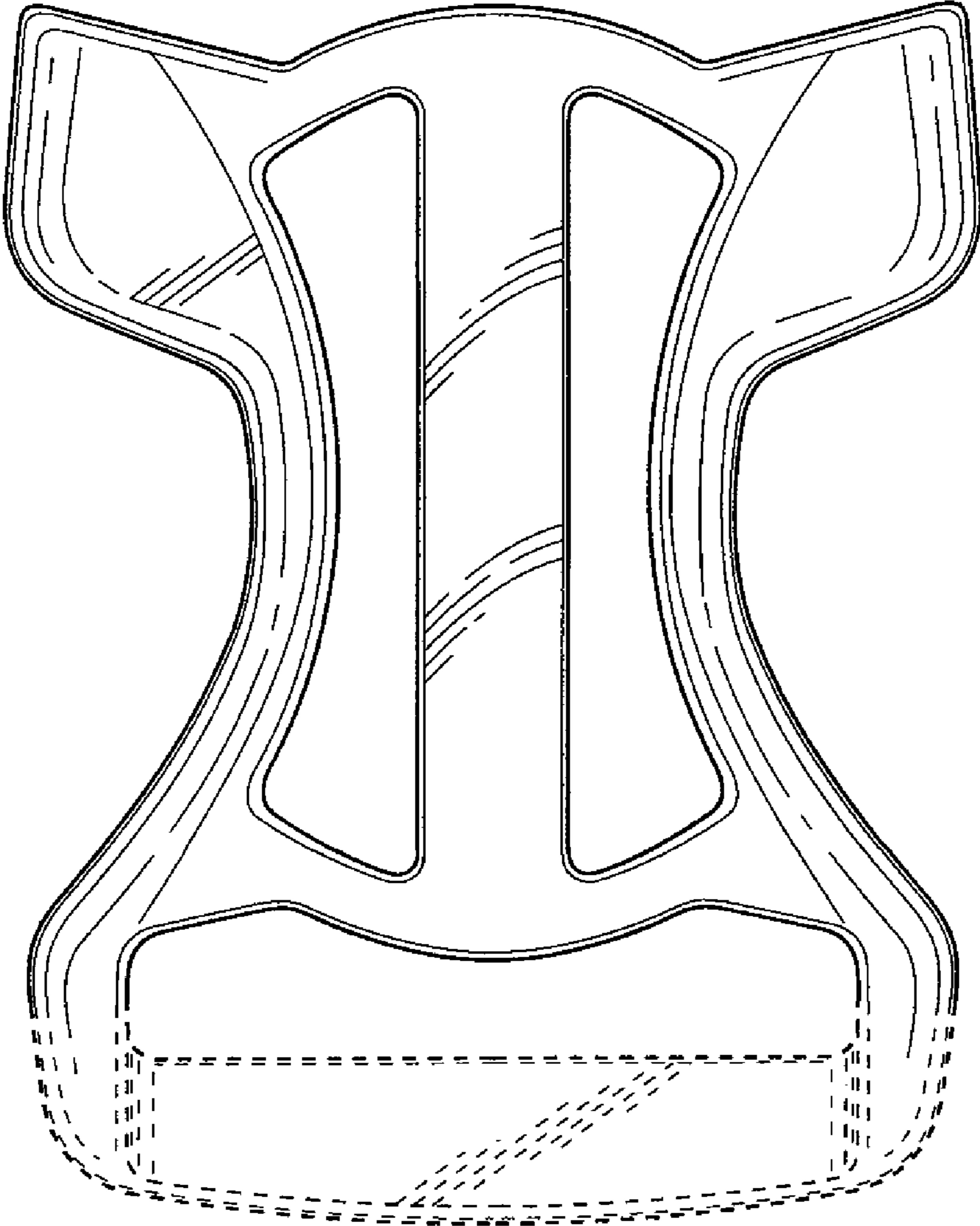
The broken line portions of the disclosure are for illustrative purposes only and form no part of the claimed design.

**1 Claim, 15 Drawing Sheets**

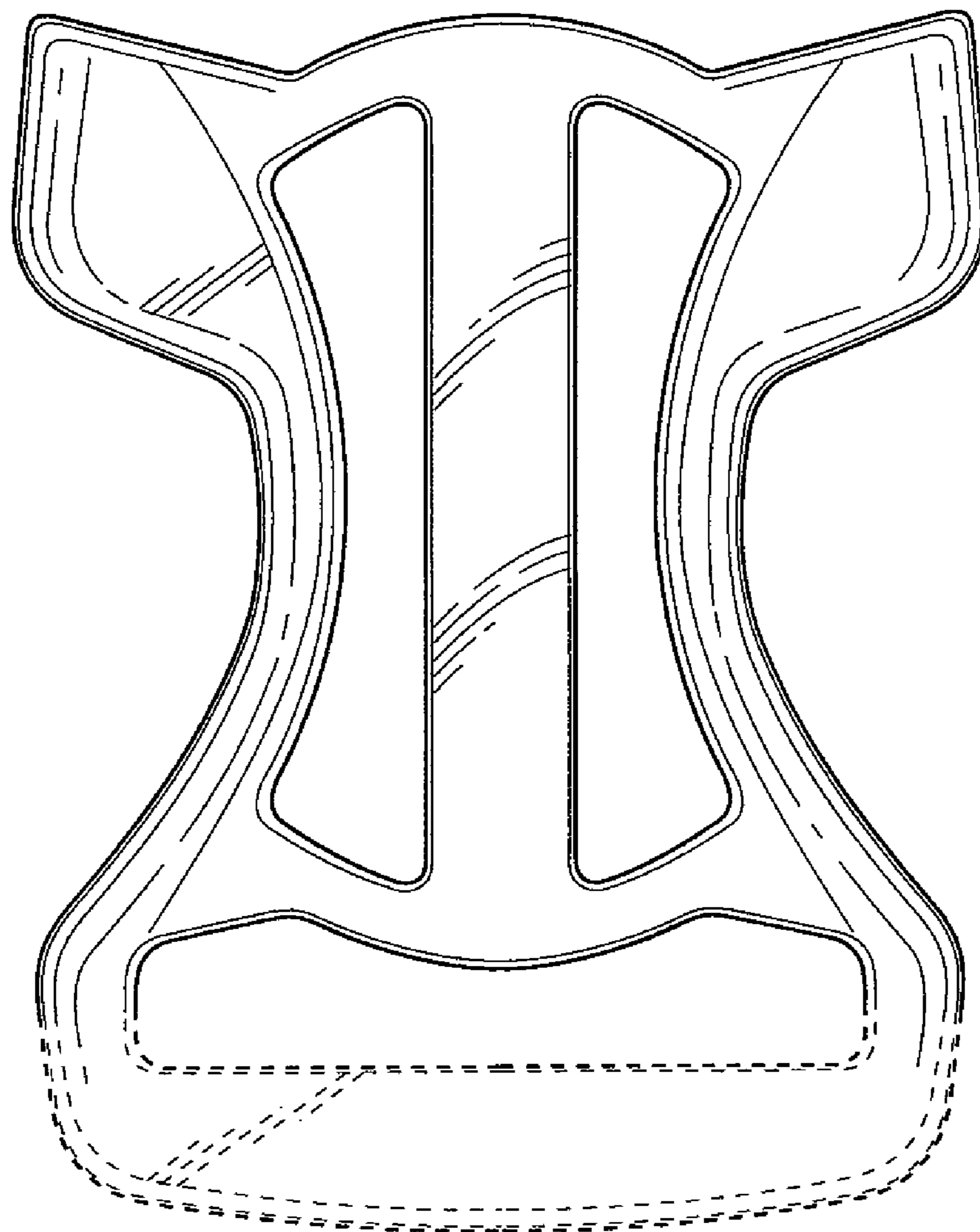




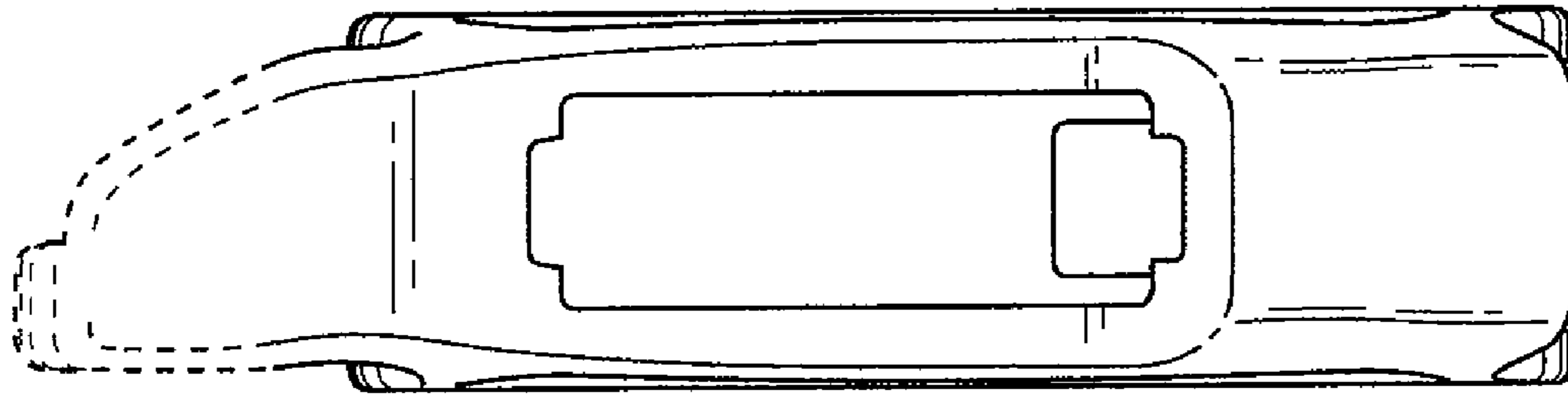
**Fig. 1**



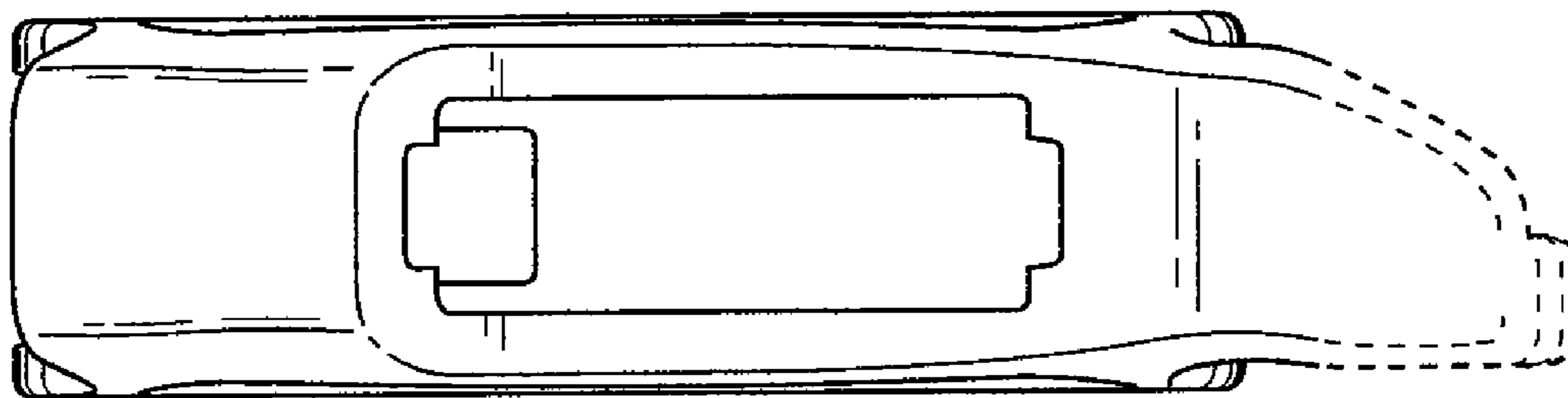
**Fig. 2**



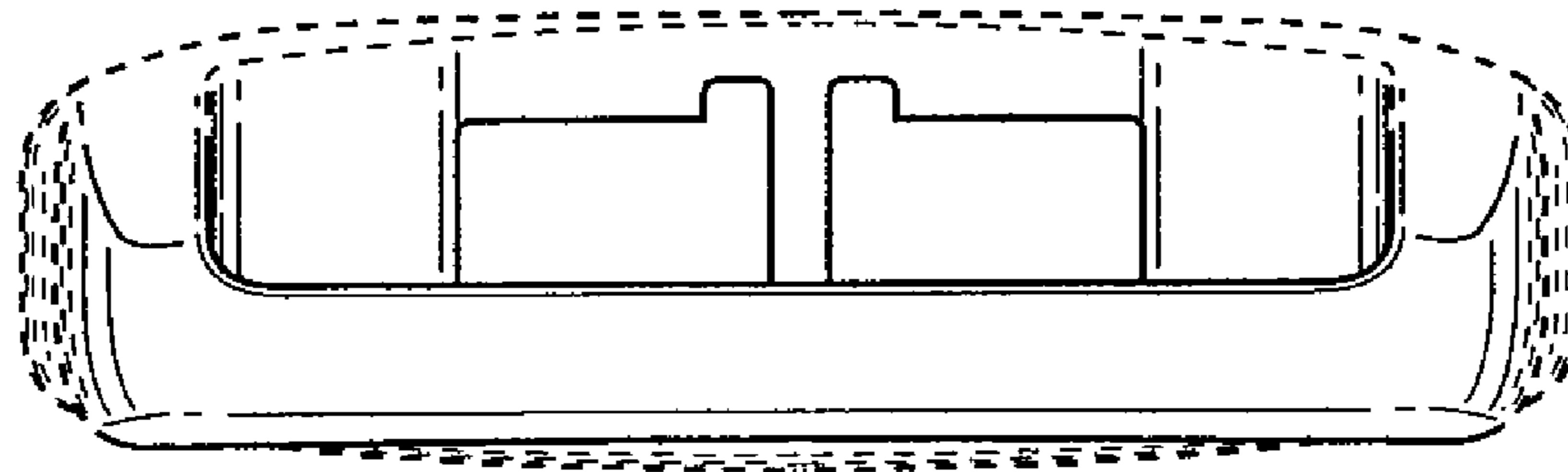
**Fig. 3**



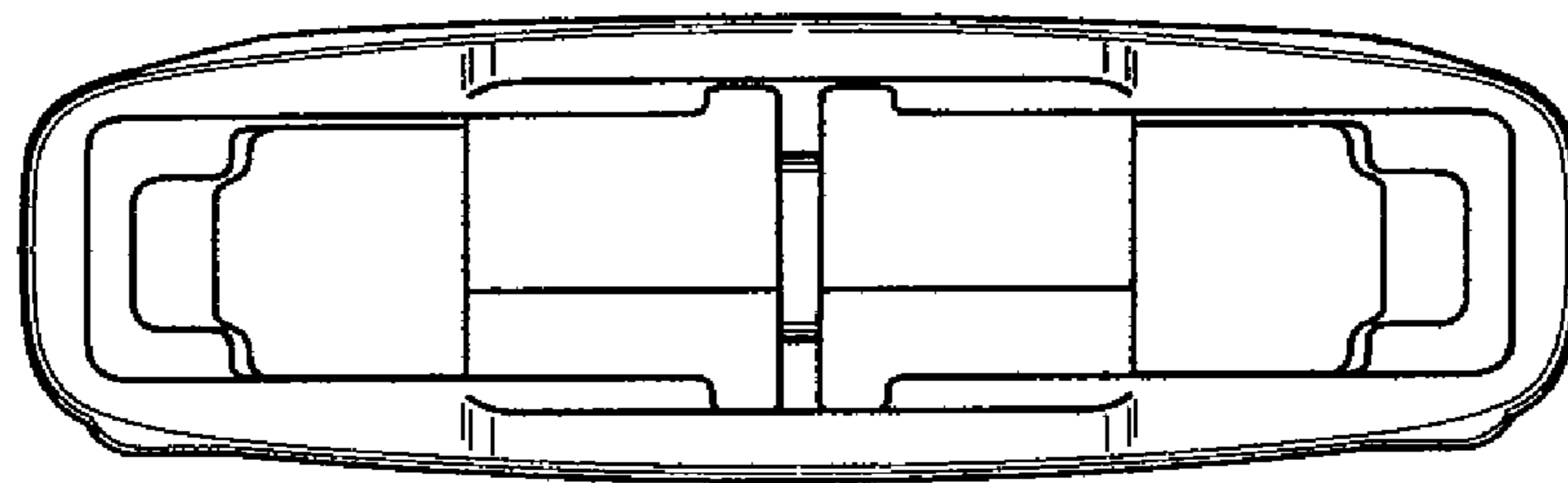
**Fig. 4**



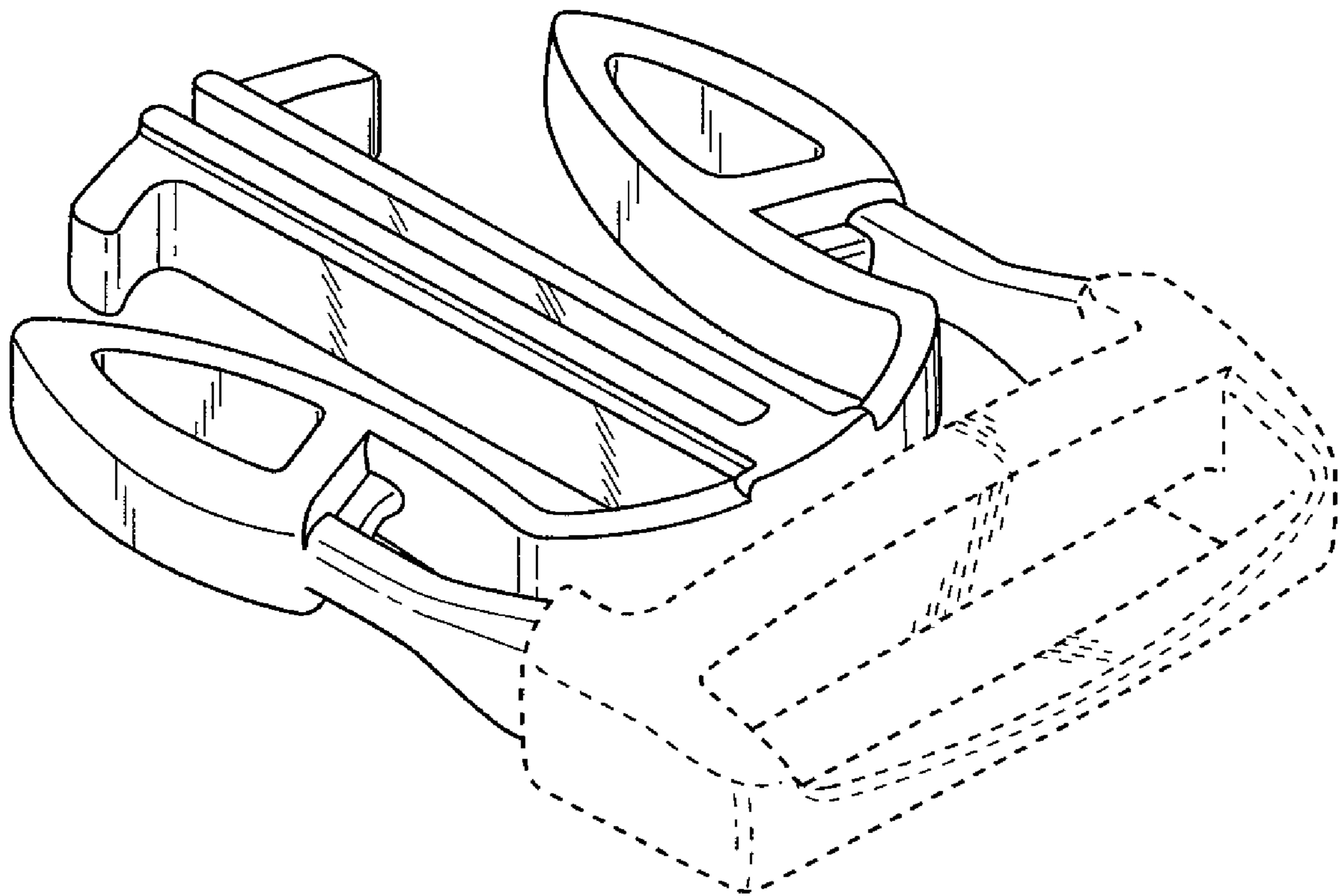
**Fig. 5**



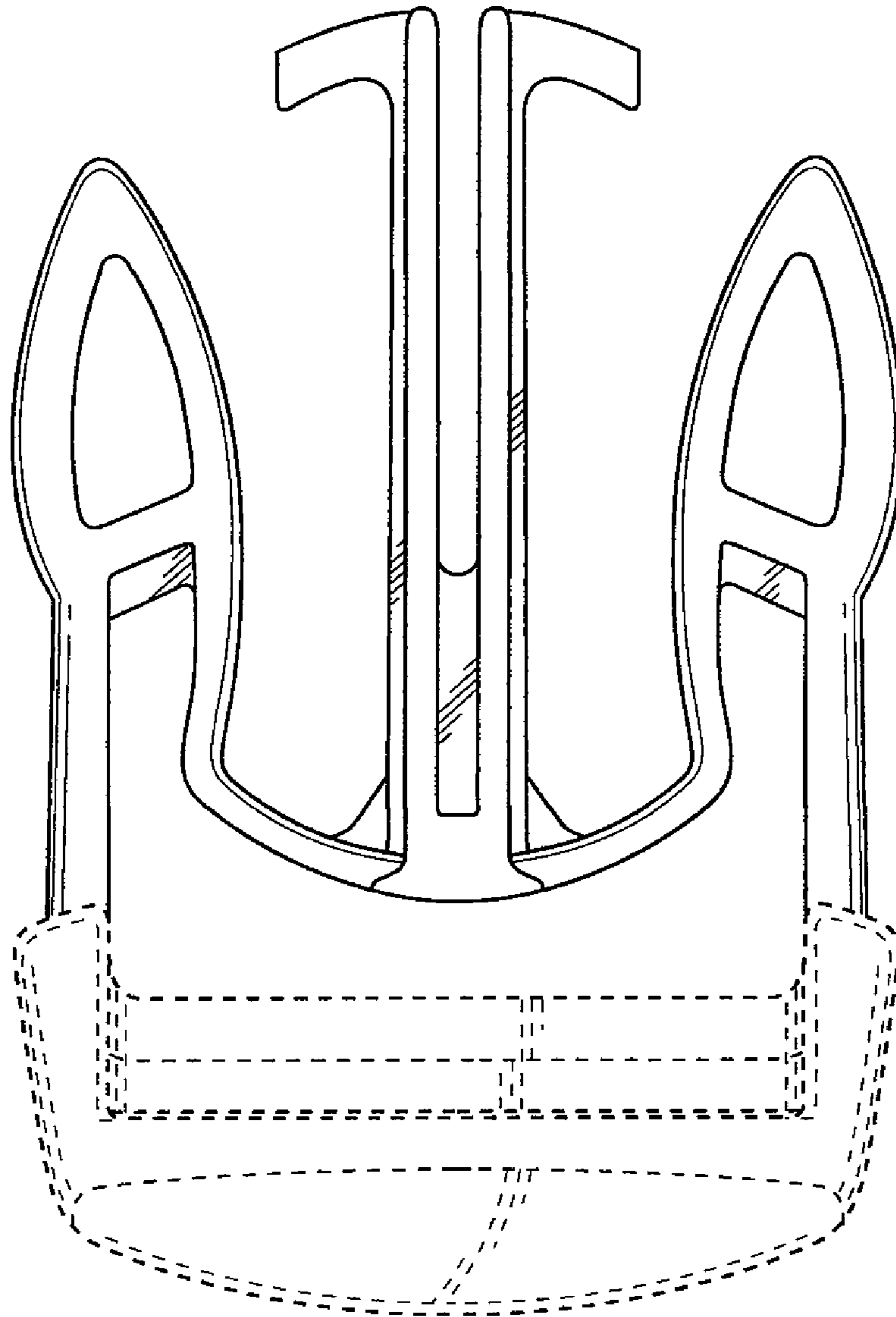
***Fig. 6***



***Fig. 7***

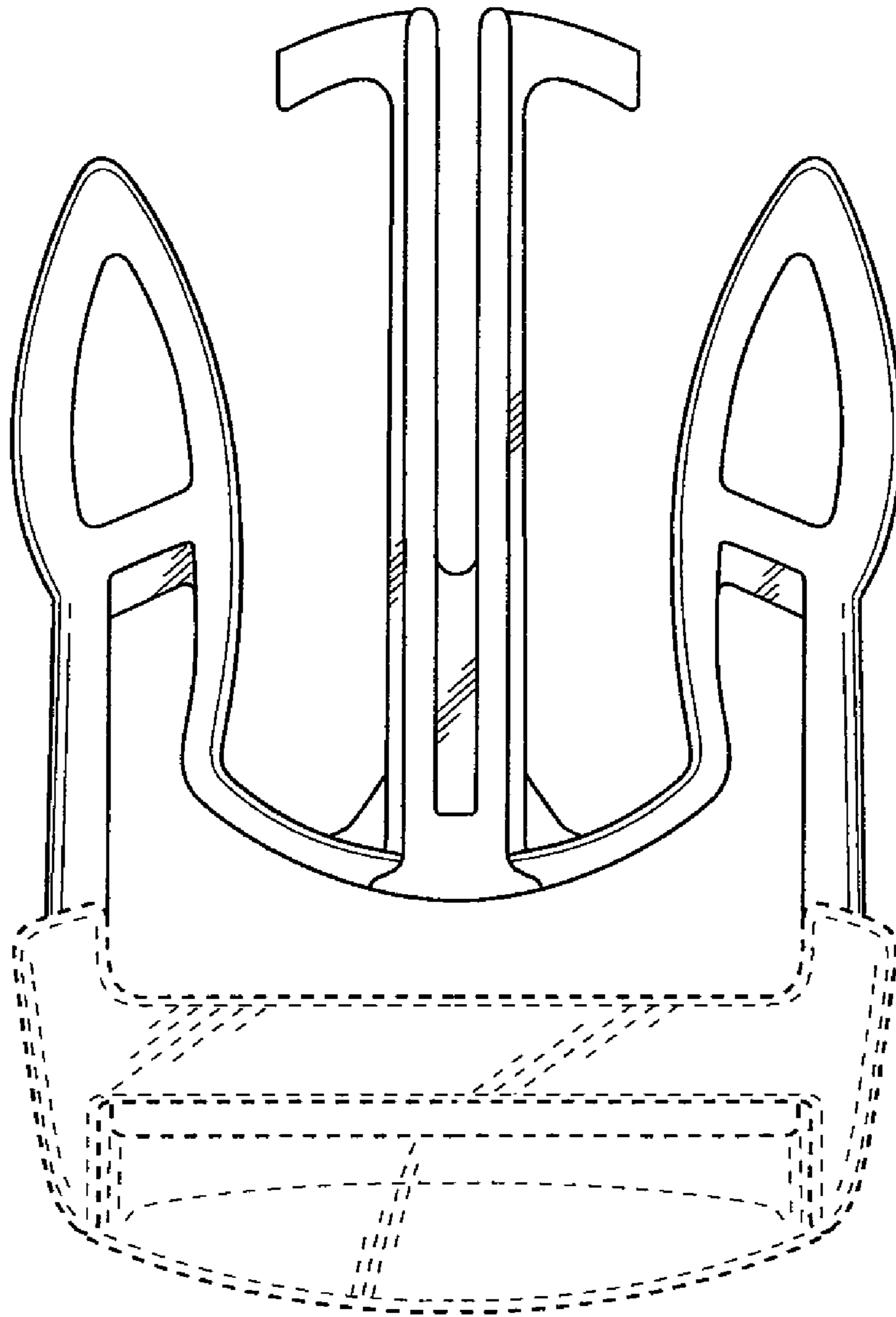


**Fig. 8**

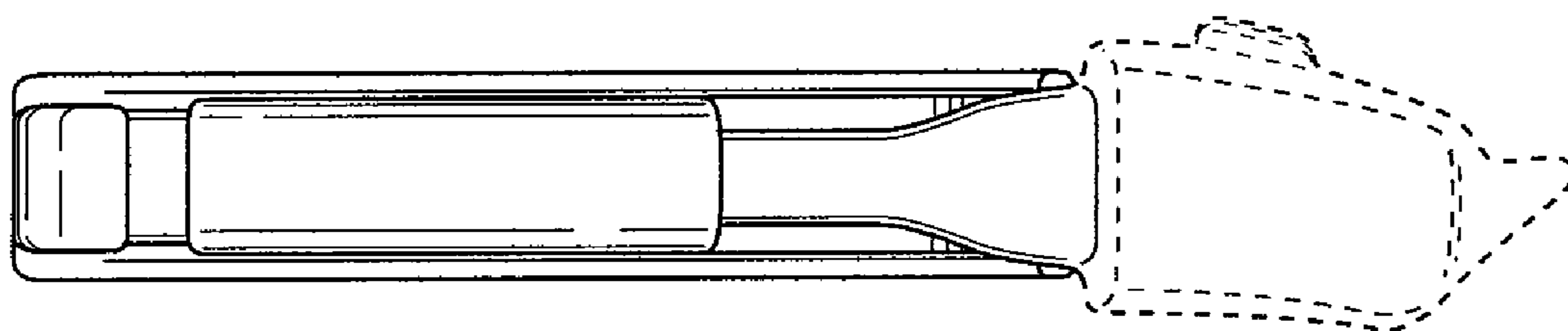


**Fig. 9**

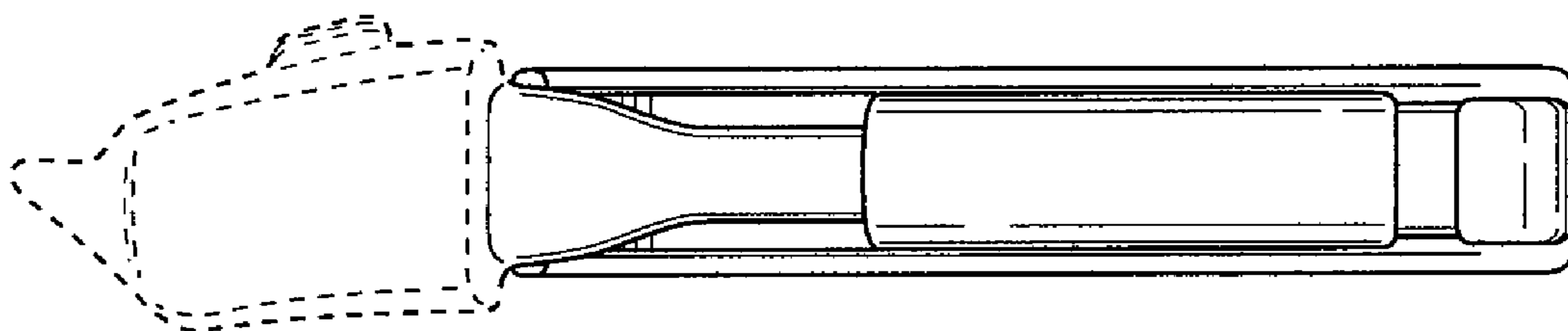




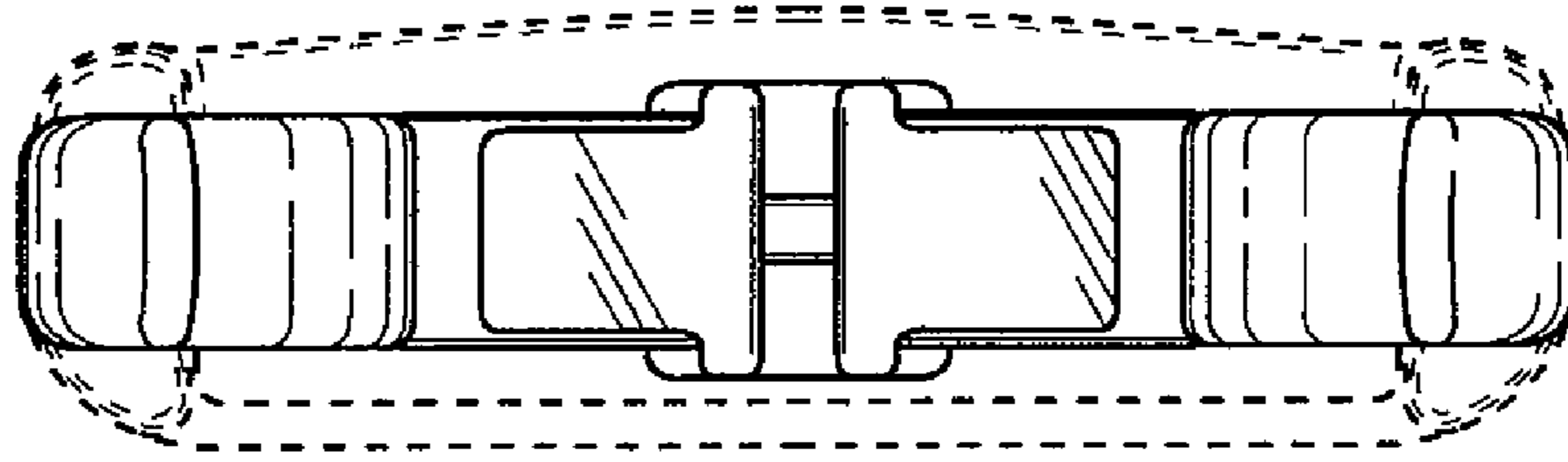
**Fig. 10**



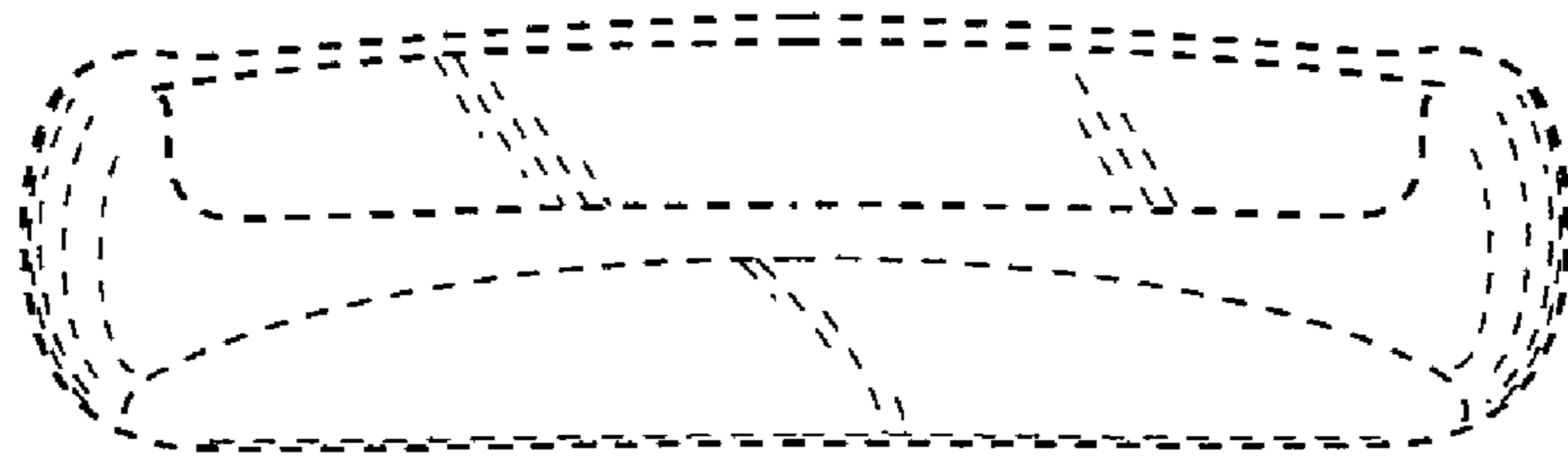
**Fig. 11**



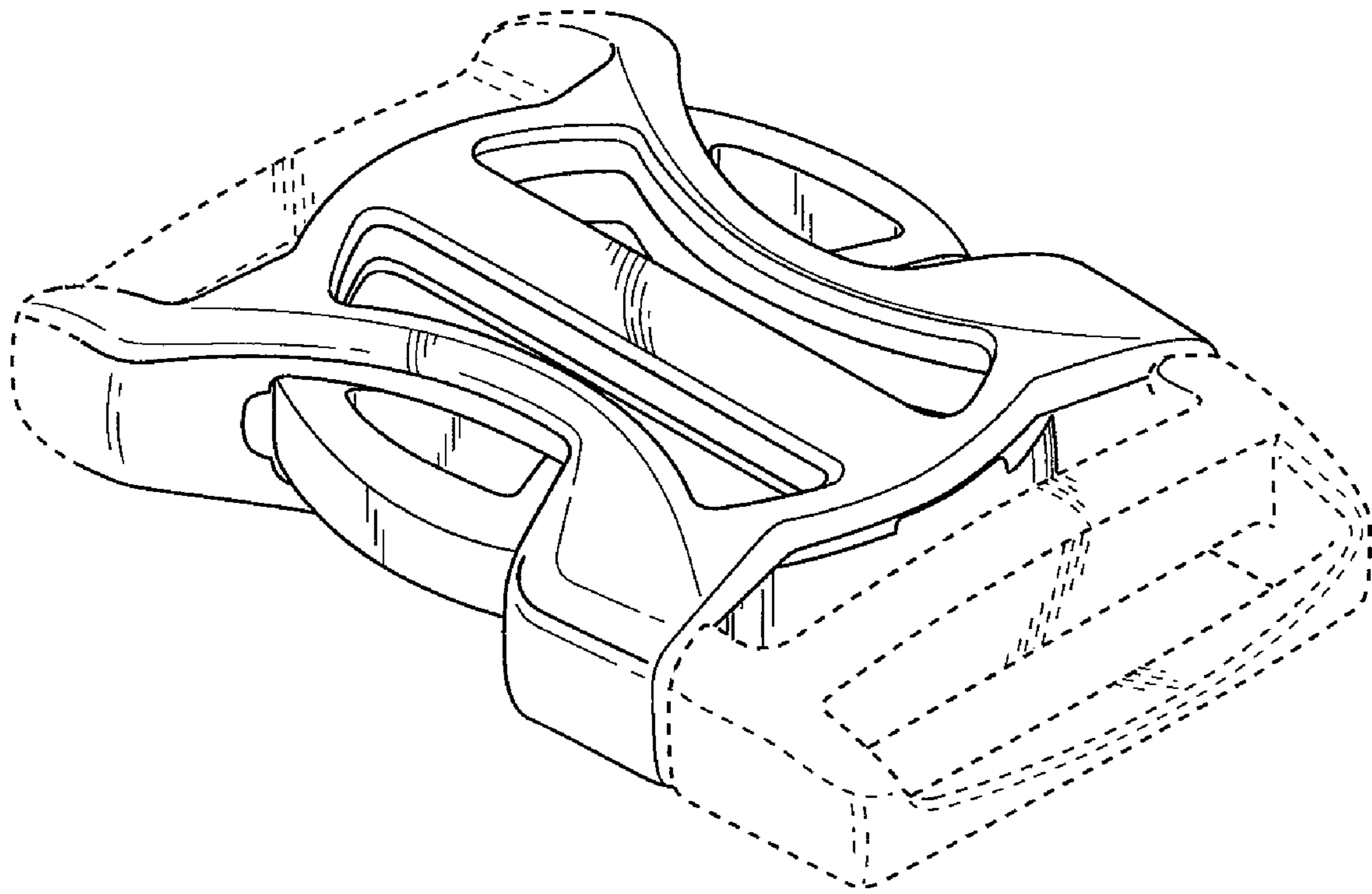
**Fig. 12**



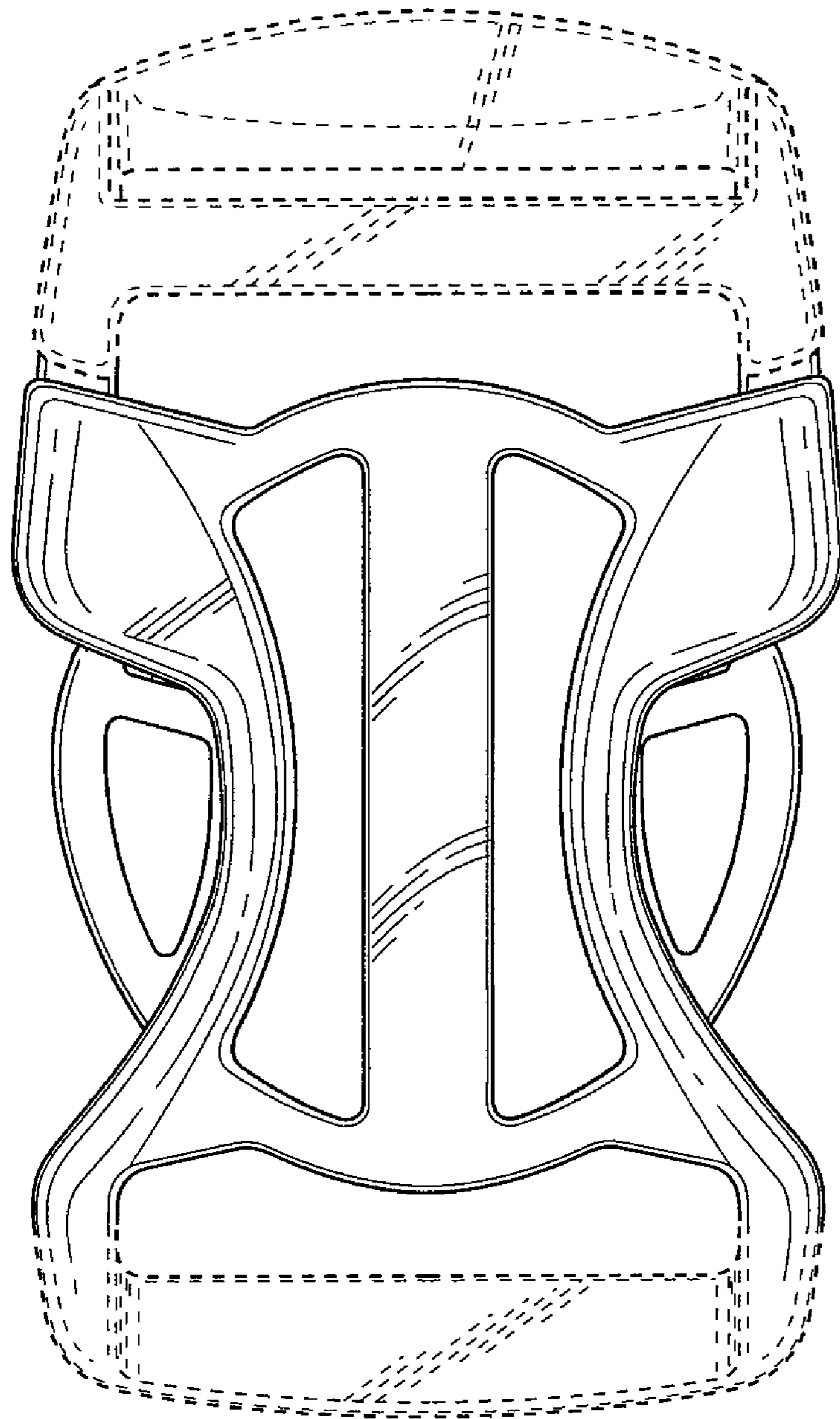
**Fig. 13**



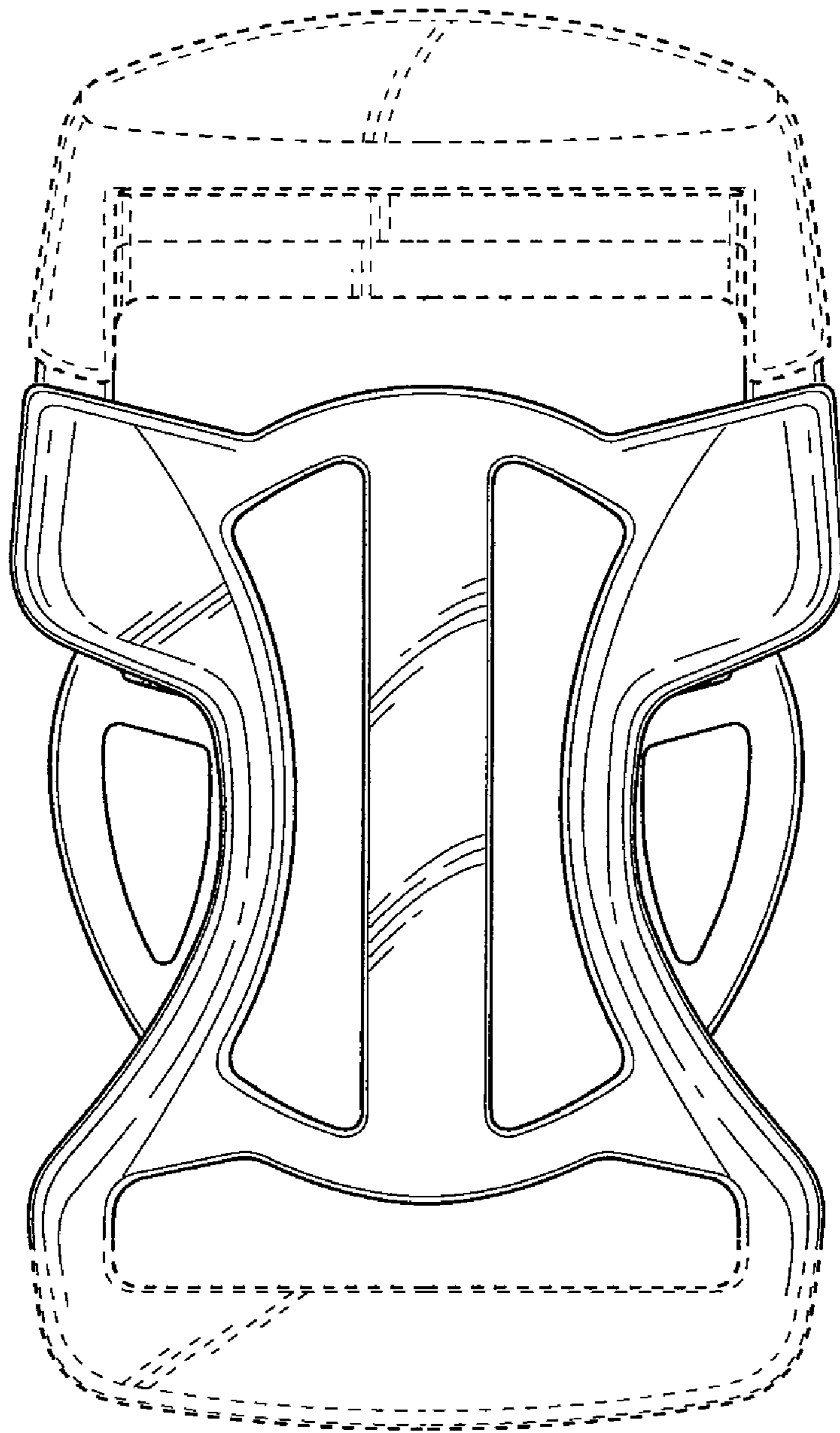
**Fig. 14**



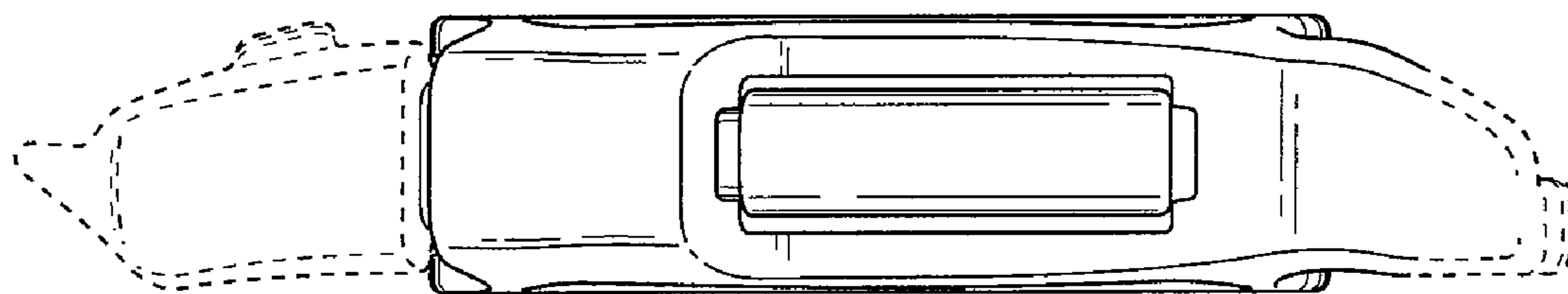
**Fig. 15**



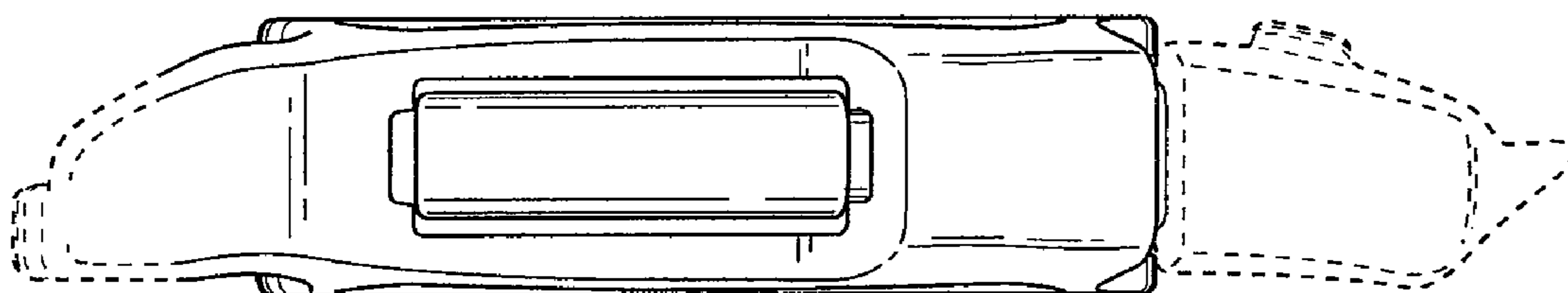
**Fig. 16**



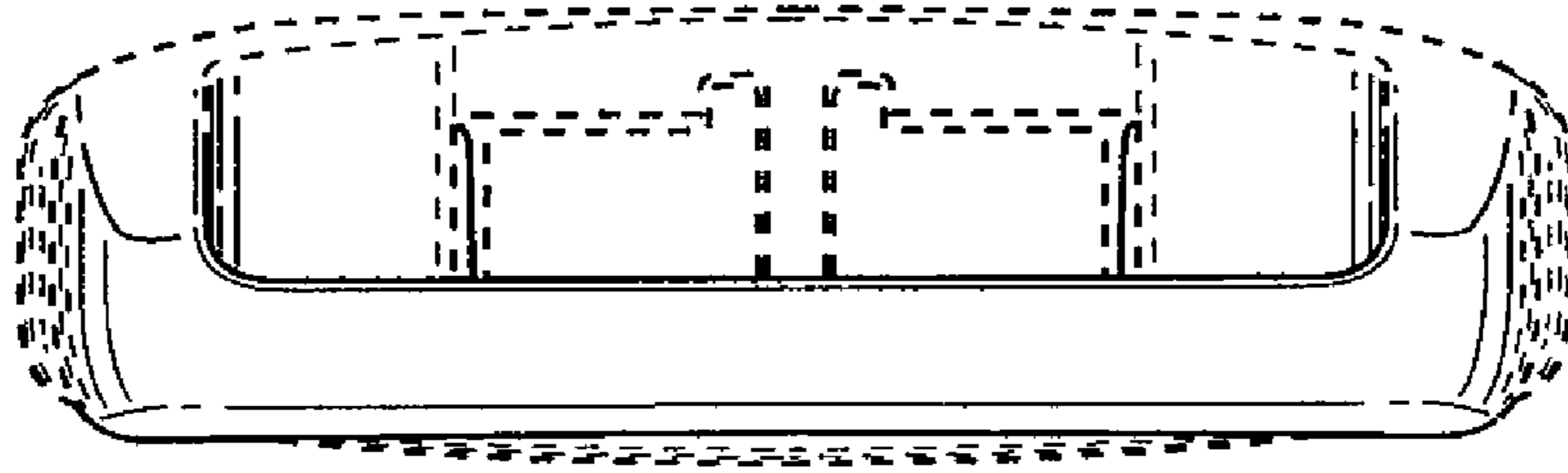
**Fig. 17**



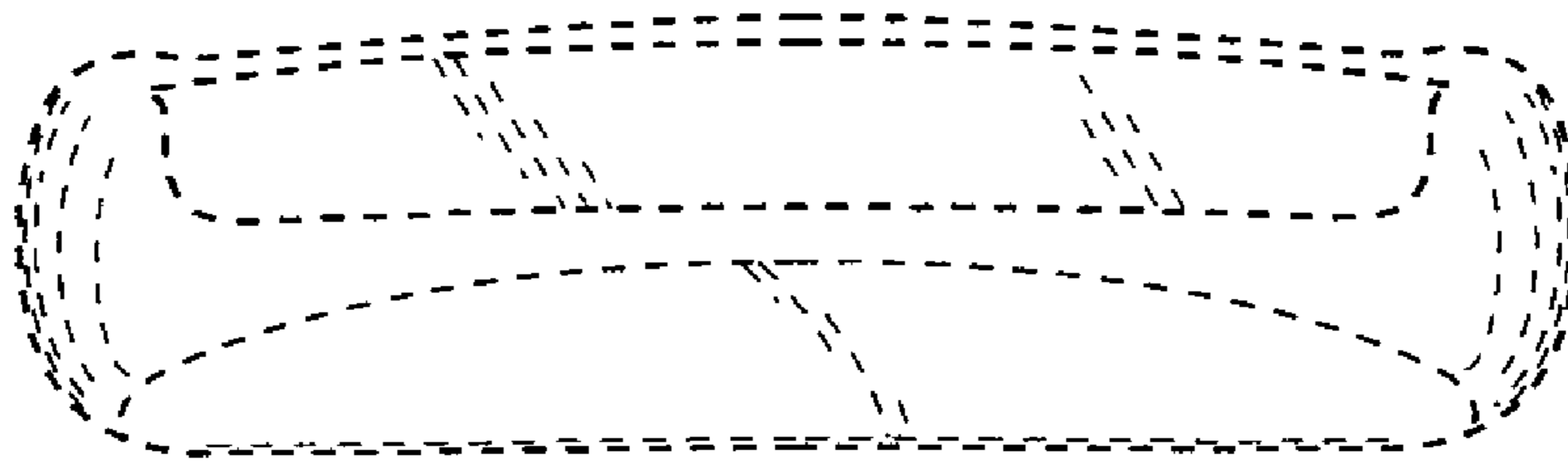
**Fig. 18**



**Fig. 19**



***Fig. 20***



***Fig. 21***