



US00D567709S

(12) **United States Design Patent**
Cho

(10) **Patent No.:** **US D567,709 S**
(45) **Date of Patent:** **** Apr. 29, 2008**

(54) **BUCKLE**

(75) Inventor: **Byoung-Woo Cho**, Gyeonggi-do (KR)

(73) Assignee: **Yupoong, Inc.** (KR)

(**) Term: **14 Years**

(21) Appl. No.: **29/281,526**

(22) Filed: **Jun. 26, 2007**

(51) **LOC (8) Cl.** **02-07**

(52) **U.S. Cl.** **D11/216**

(58) **Field of Classification Search** D11/200,
D11/201, 208–210, 212–218, 220, 230–234,
D11/236–237, 86–87, 94; 24/307, 625, 616,
24/200, 196, 637, 171, 169, 112, 614, 615,
24/174, 163 R, 90.1; D3/215, 221
See application file for complete search history.

(56) **References Cited**

U.S. PATENT DOCUMENTS

D267,130 S	12/1982	Goldman	
D302,140 S	7/1989	Johnston	
D333,640 S	3/1993	Keller	
D453,125 S	1/2002	Citton	
D466,438 S *	12/2002	Buettell	D11/200
D495,970 S *	9/2004	Uehara et al.	D11/216
D496,881 S *	10/2004	Pontaoe	D11/216
D508,872 S	8/2005	Hoepfner	
2004/0143941 A1	7/2004	Lee	

* cited by examiner

Primary Examiner—Ralf Seifert

(74) *Attorney, Agent, or Firm*—Fellers, Snider, Blankenship,
Bailey & Tippens

(57) **CLAIM**

The ornamental design for a buckle, as shown and described.

DESCRIPTION

FIG. 1 is a perspective view of a buckle according to my new design with its upper cover and lower cam in an overlapped position;

FIG. 2 is a front elevational view thereof;

FIG. 3 is a rear elevational view thereof;

FIG. 4 is a left side elevational view thereof;

FIG. 5 is a right side elevational view thereof;

FIG. 6 is a top plan view thereof; and

FIG. 7 is a bottom plan view thereof.

FIG. 8 is a perspective view of the buckle according to my new design in a state in which a strap is fastened between its upper cover and lower cam.

FIG. 9 is a perspective view of the buckle according to my new design in a state in which its upper cover and lower cam are not combined; and,

FIG. 10 is a perspective view of the buckle according to my new design in a state in which its upper cover and lower cam are combined and the upper cover is open to be used.

It being understood that the broken line showing of a strap in FIG. 8 is for illustrative purposes only and forms no part of the claimed design.

1 Claim, 10 Drawing Sheets

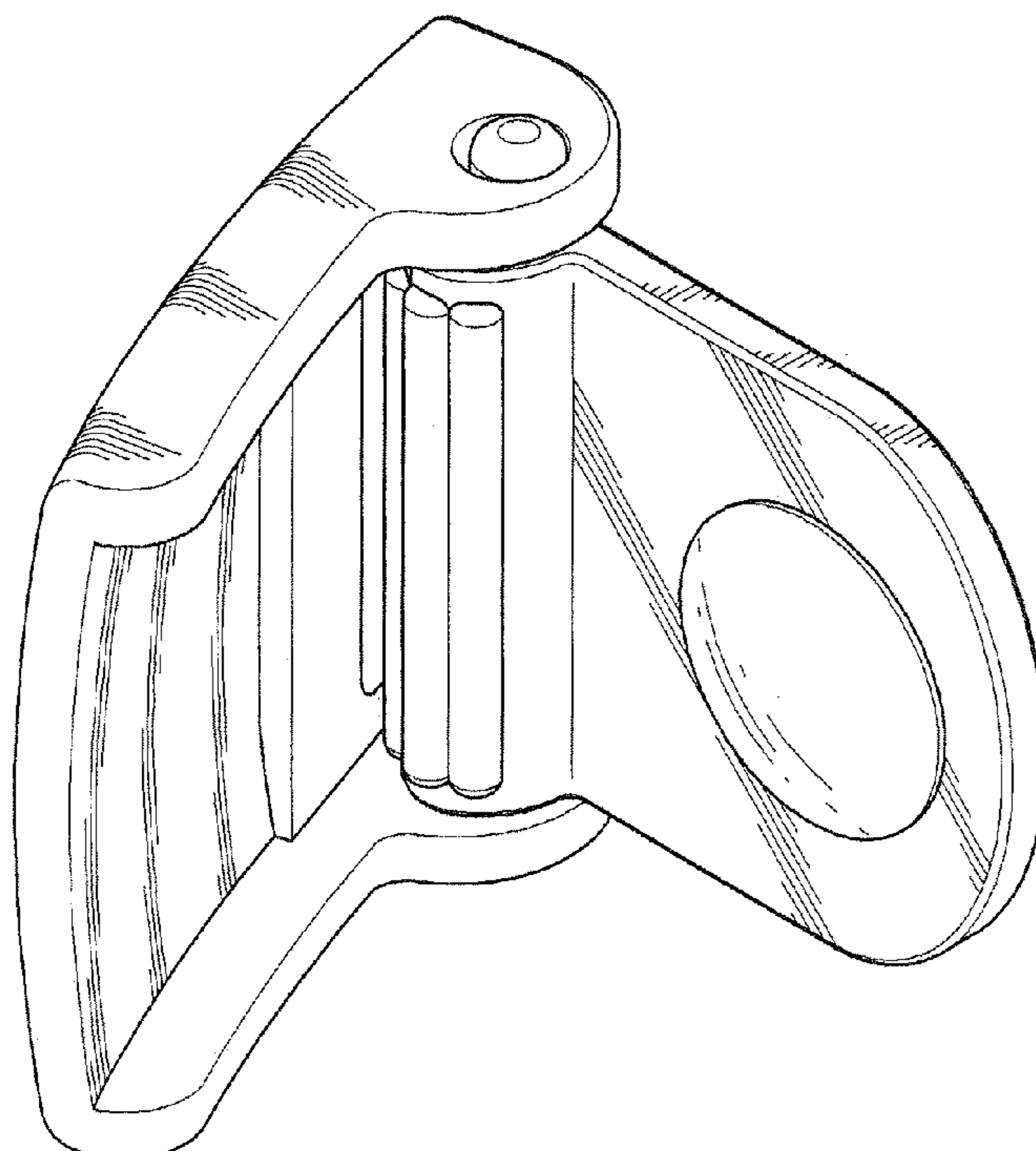


FIG. 1

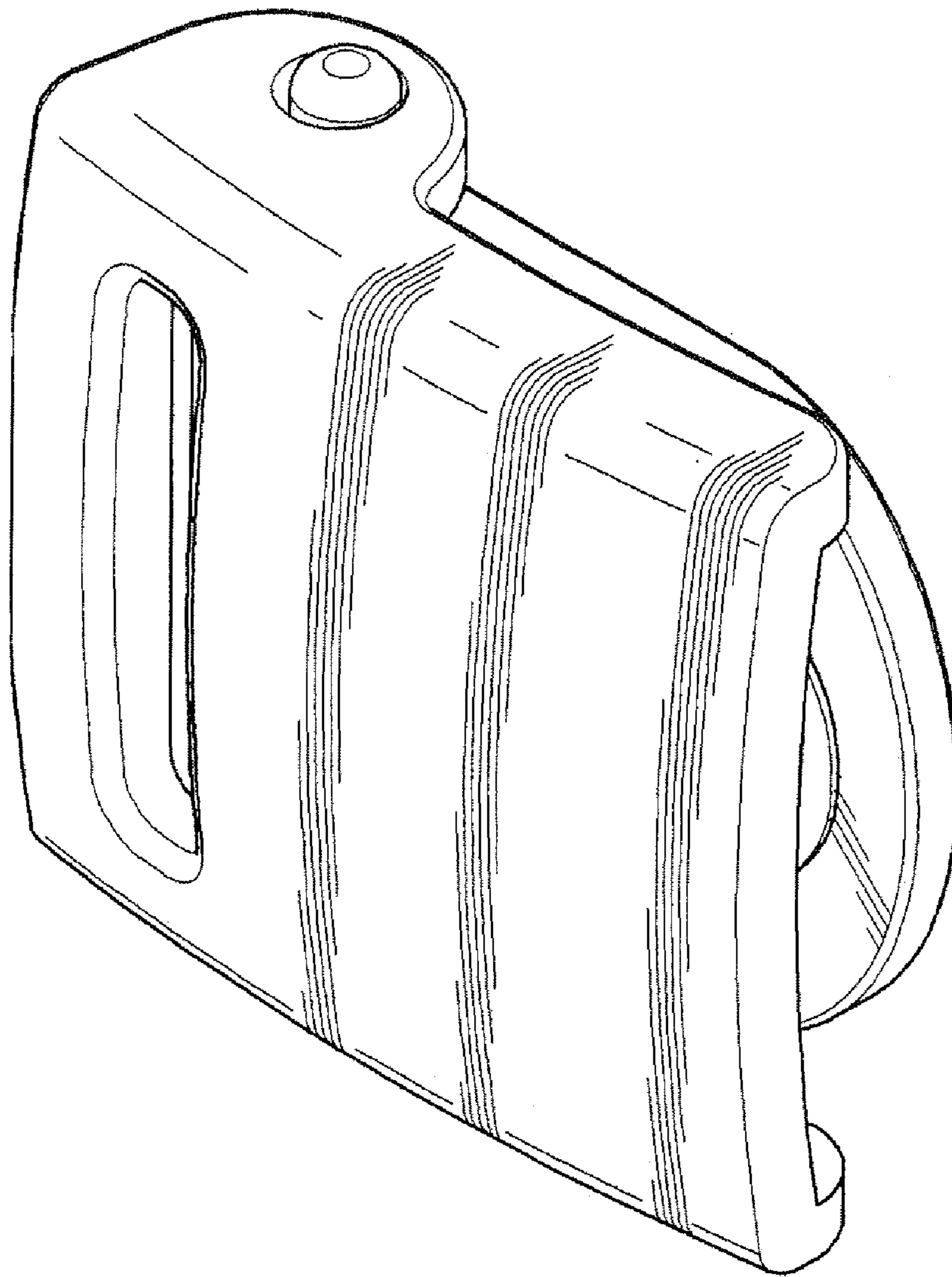


FIG. 2

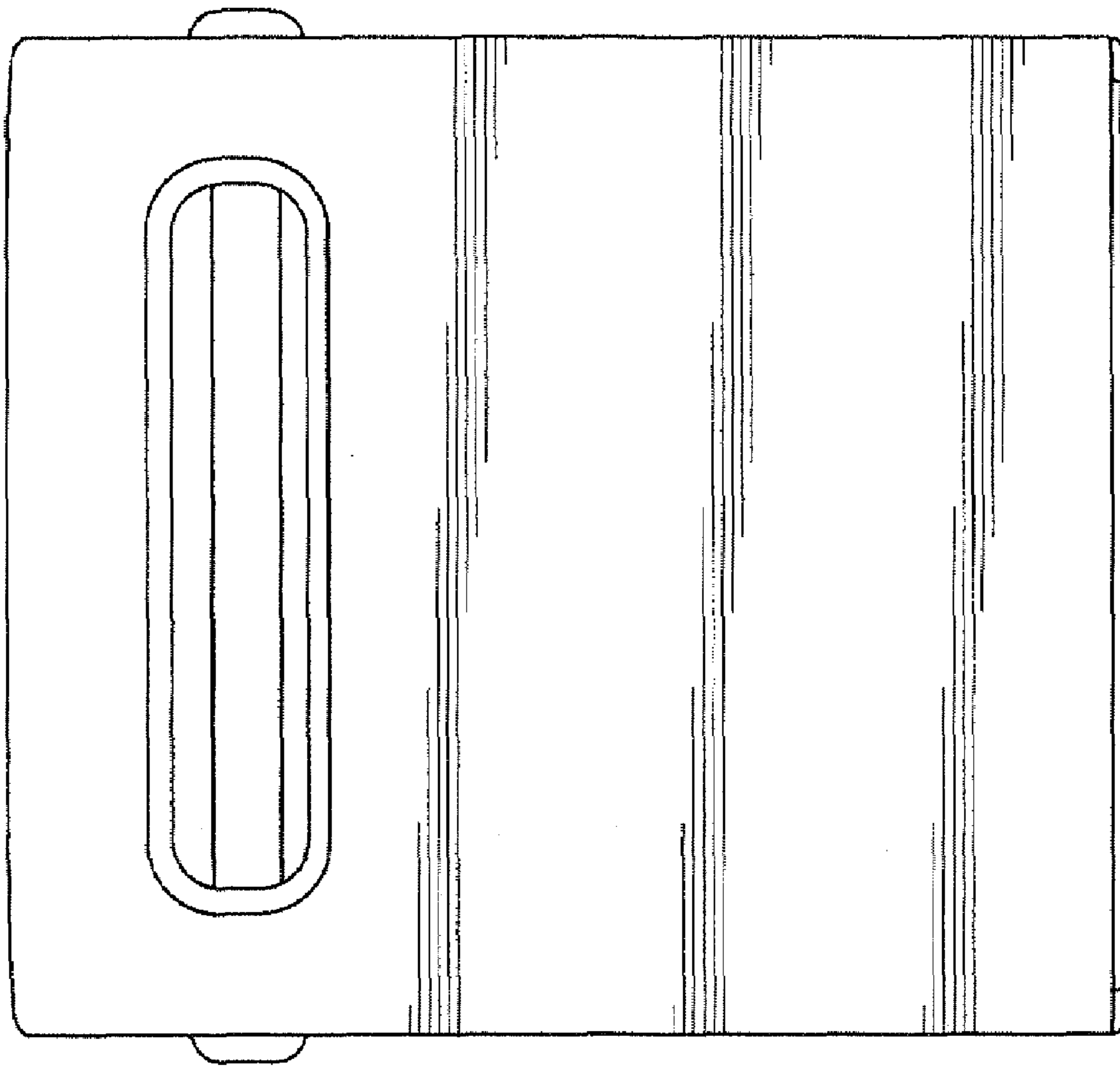


FIG. 3

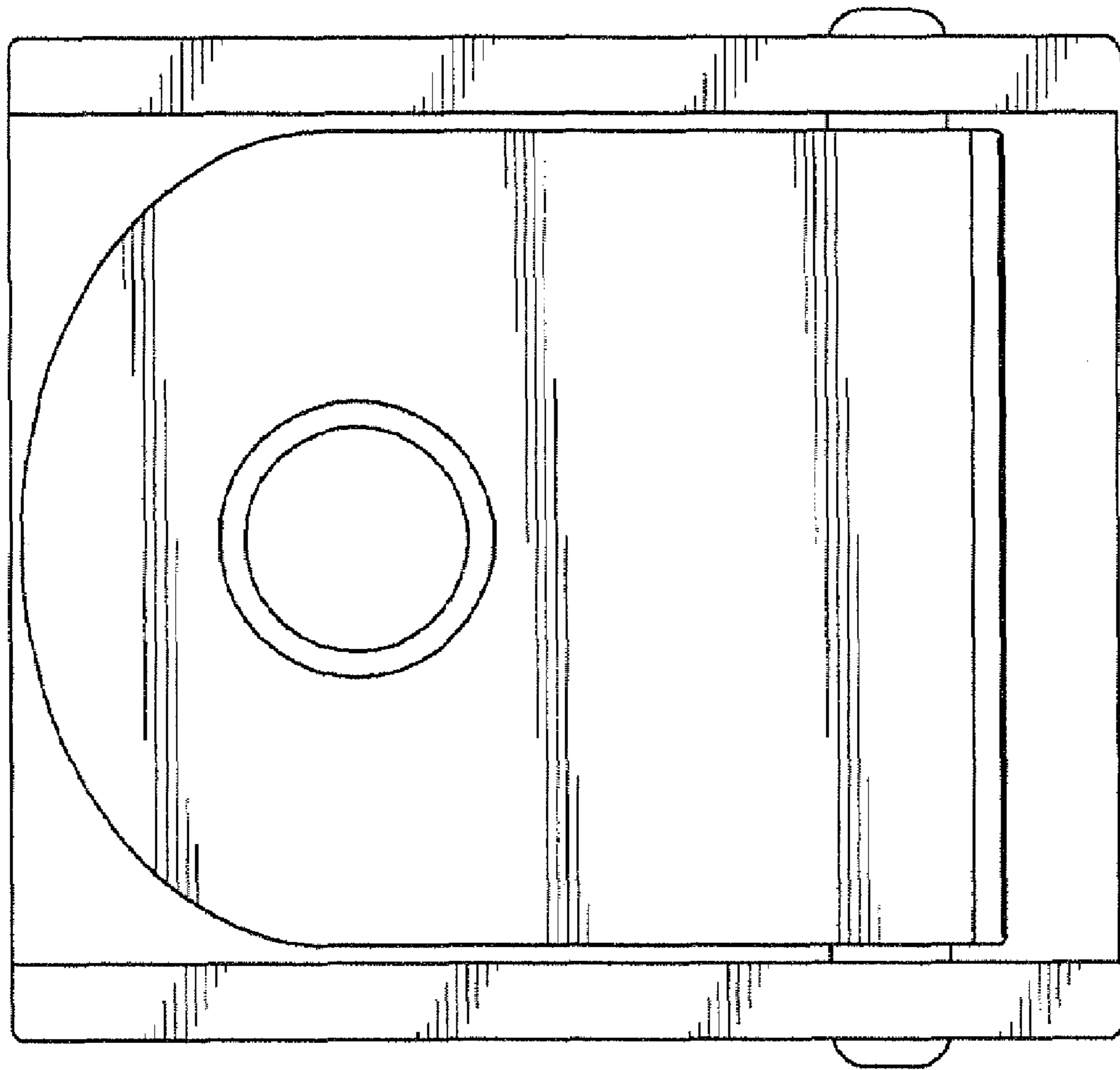


FIG. 4

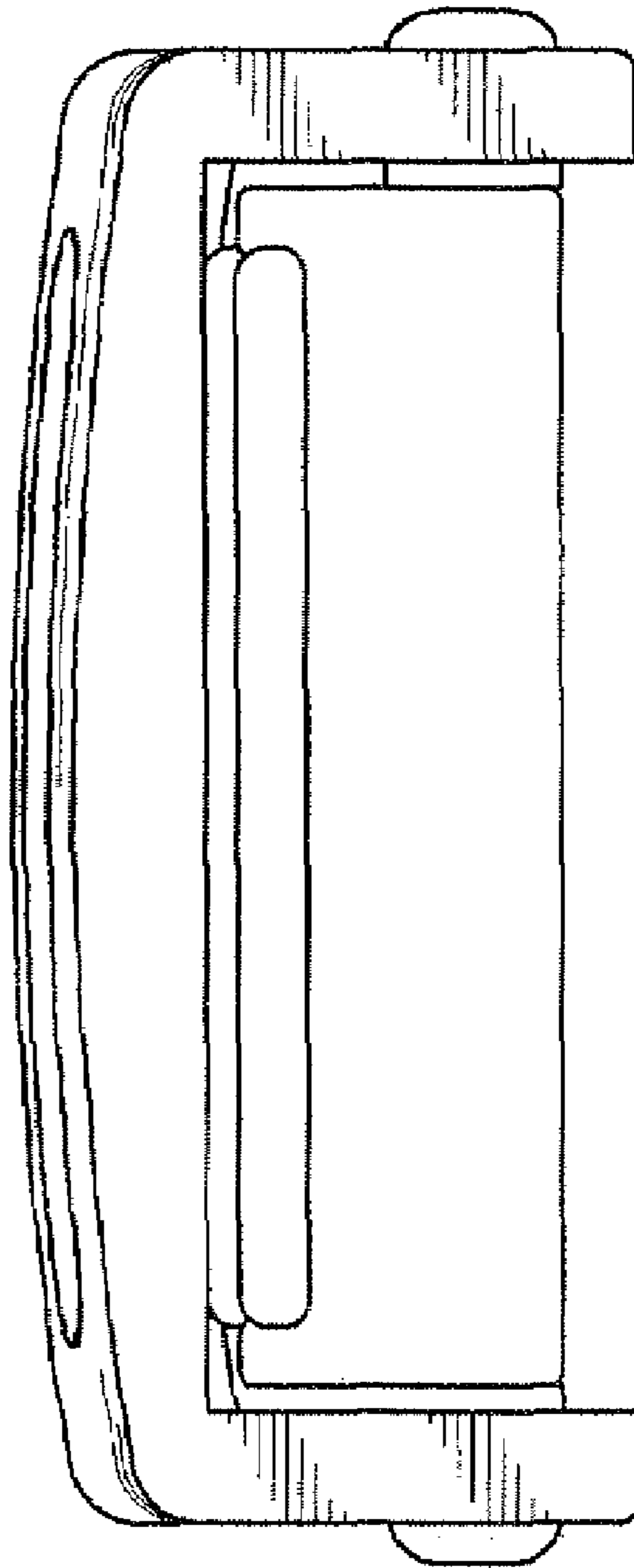


FIG. 5



FIG. 6

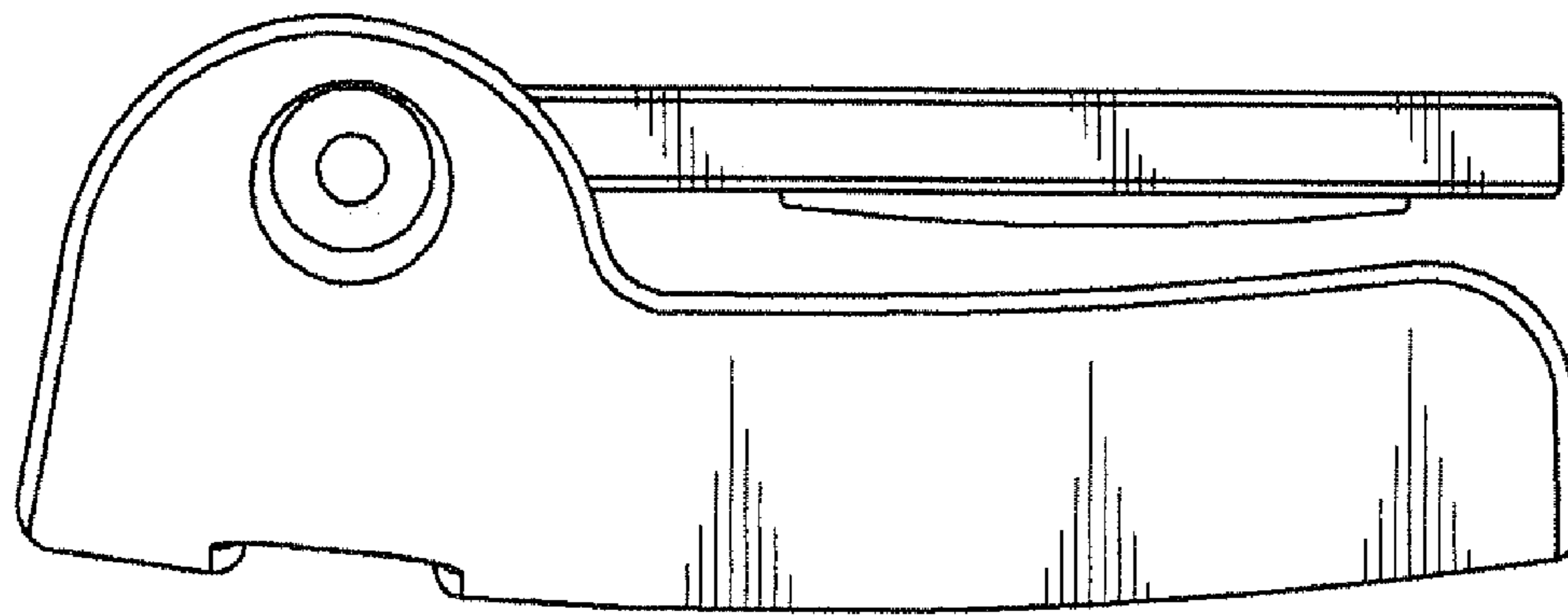


FIG. 7

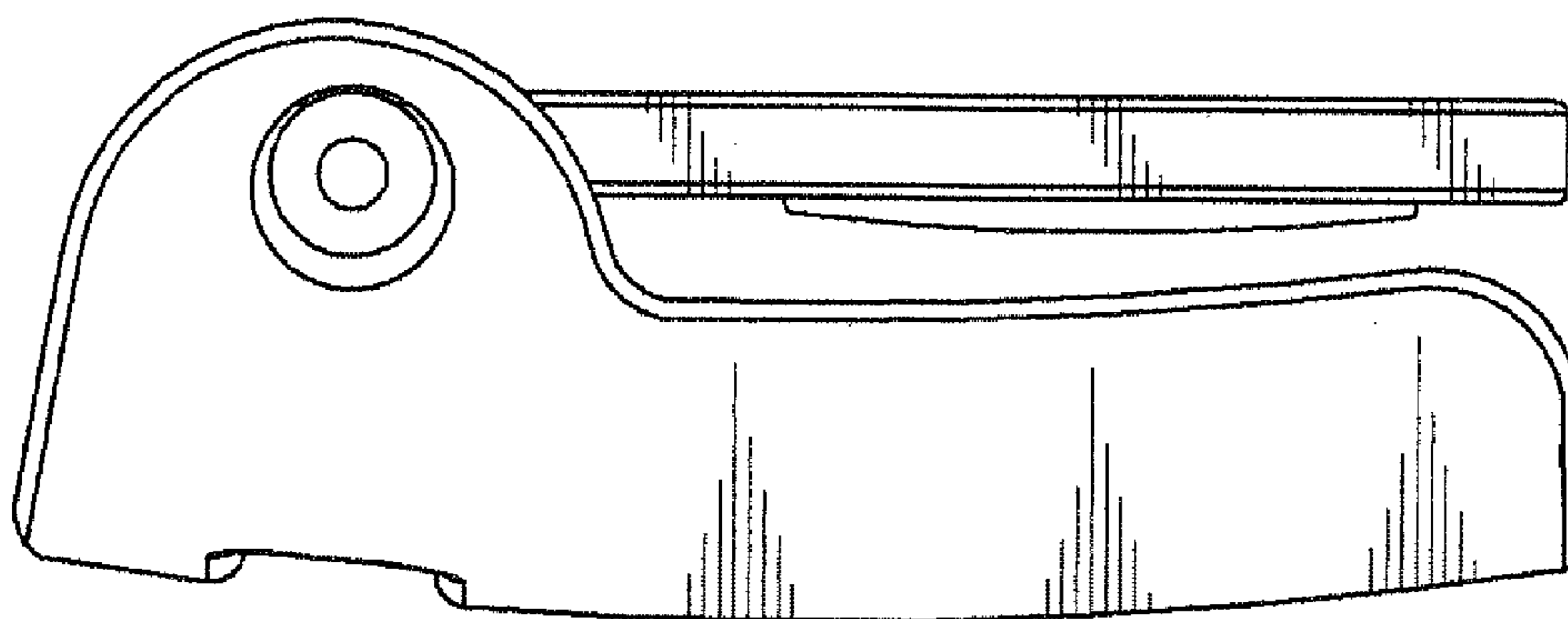
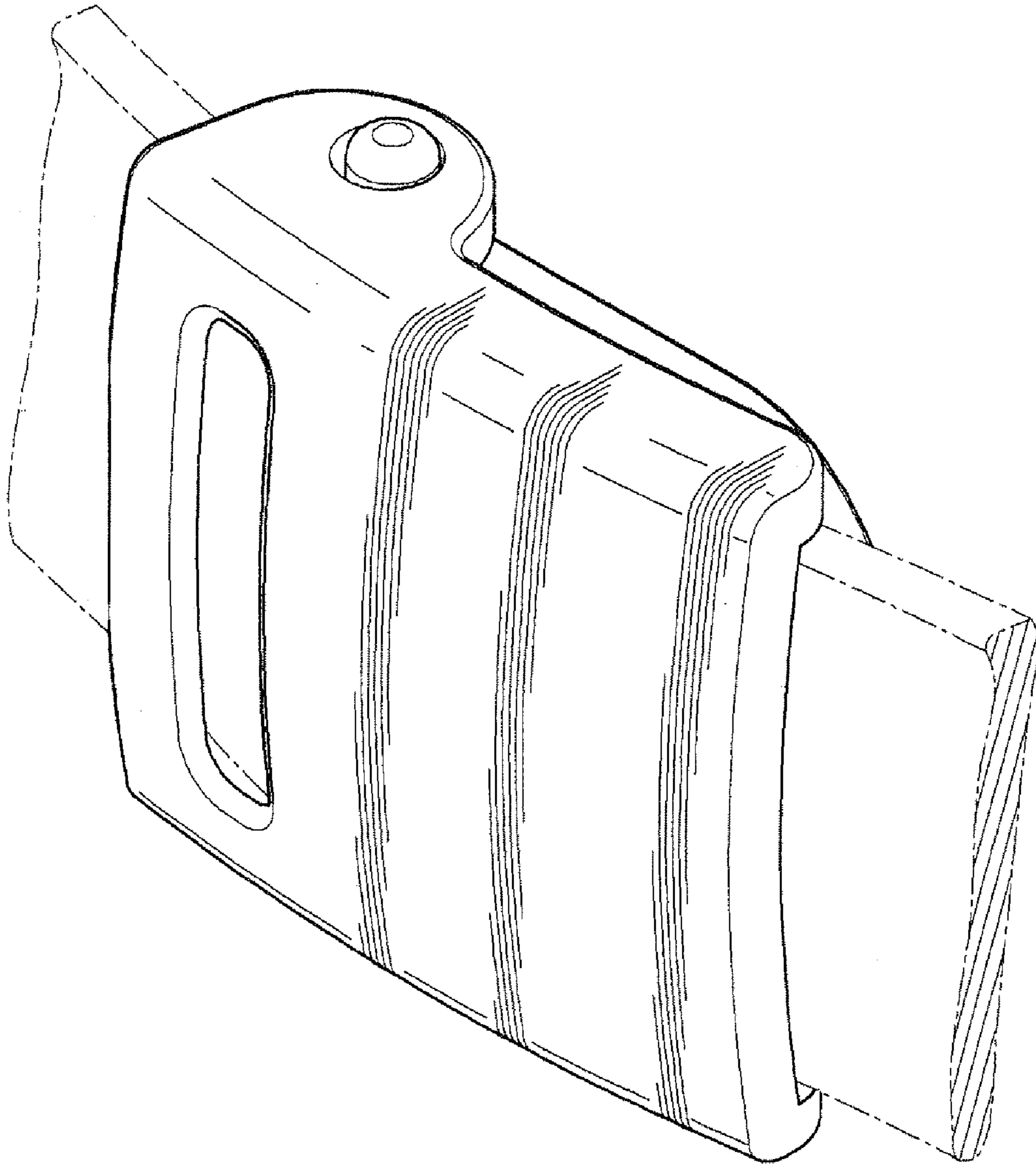


FIG. 8



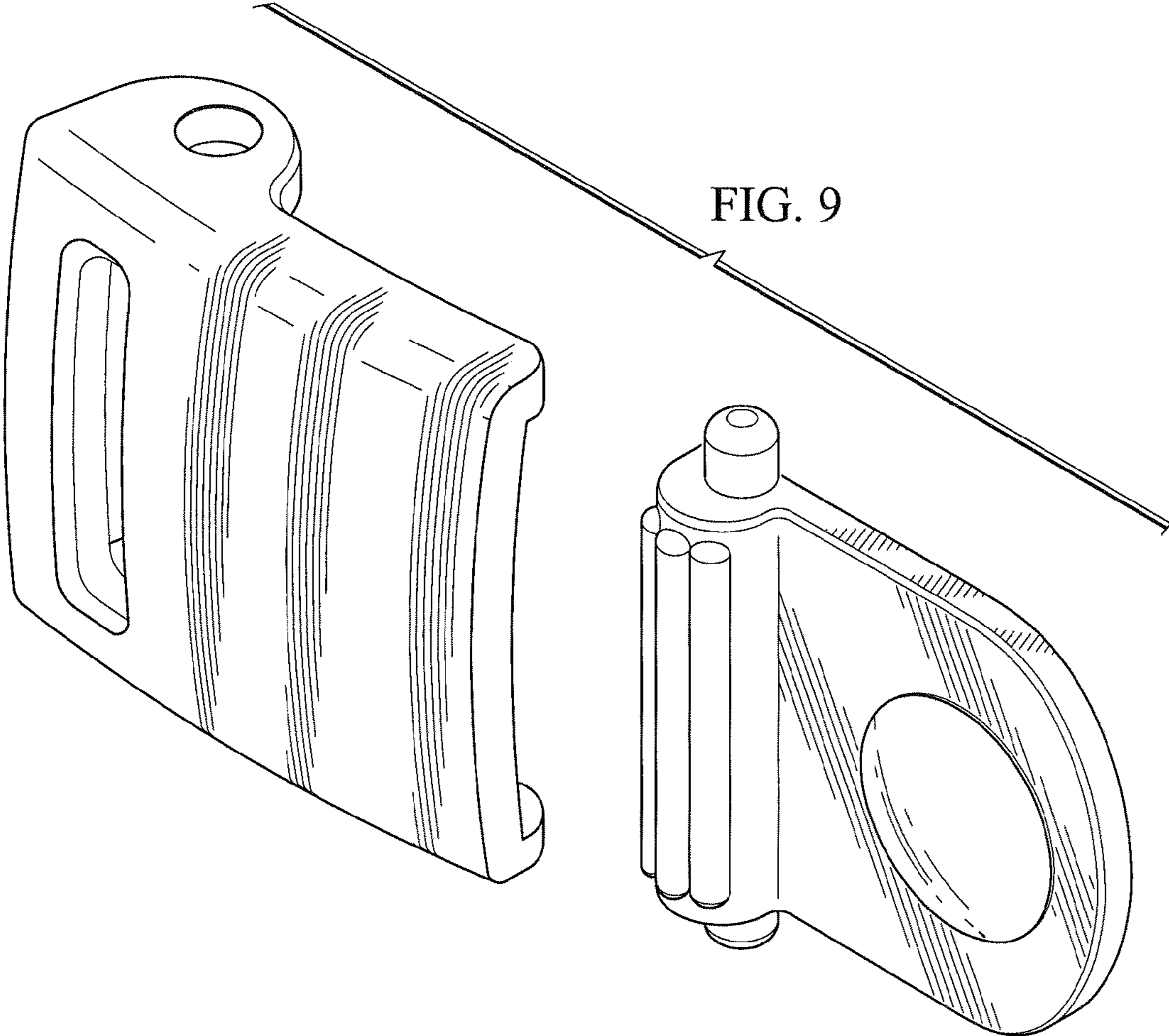


FIG. 10

