



US00D567704S

(12) **United States Design Patent**  
**Martin**

(10) **Patent No.:** **US D567,704 S**  
(45) **Date of Patent:** **\*\* Apr. 29, 2008**

(54) **JEWELRY CLASP**

(57) **CLAIM**

(75) Inventor: **Kathy Martin**, Skillman, NJ (US)

I claim the ornamental design for a jewelry clasp, as shown and described.

(73) Assignee: **Katydid Accessories**, Skillman, NJ (US)

**DESCRIPTION**

(\*\*) Term: **14 Years**

FIG. 1 is a perspective of one embodiment of a jewelry clasp showing my new design;

(21) Appl. No.: **29/278,784**

FIG. 2 is a top elevation thereof, the bottom elevation being a mirror image thereof;

(22) Filed: **Apr. 10, 2007**

FIG. 3 is a left end elevation thereof;

(51) **LOC (8) Cl.** ..... **11-01**

FIG. 4 is a right end elevation thereof;

(52) **U.S. Cl.** ..... **D11/87**

FIG. 5 is a front end elevation thereof;

(58) **Field of Classification Search** ..... D11/200-201, D11/206-210, 214-216, 218; 24/163 R, 24/326, 169-171, 173, 177-179, 68 J, 70 J, 24/191, 194, 195, 200, 197; 63/3.1, 31  
See application file for complete search history.

FIG. 6 is a rear end elevation thereof;

FIG. 7 is a perspective view of a second embodiment of a jewelry clasp of my new design;

FIG. 8 is a top elevation thereof, the bottom elevation being a mirror image thereof;

(56) **References Cited**

**U.S. PATENT DOCUMENTS**

3,098,364	A	7/1963	Verri	
3,135,031	A	6/1964	Brosse	
3,208,238	A	9/1965	Spitzer	
4,527,316	A	7/1985	Murphy	
5,341,659	A	8/1994	Wright	
D366,007	S *	1/1996	Colpo	..... D11/87
D390,496	S *	2/1998	Olsen et al.	..... D11/87
6,675,611	B2	1/2004	Hunter	
6,880,363	B2	4/2005	Ma	
2003/0010057	A1	1/2003	Hunter	
2004/0007017	A1	1/2004	Flaherty	
2004/0194502	A1	10/2004	Ma	
2005/0039487	A1	2/2005	Couling	
2005/0178154	A1	8/2005	Horan	

FIG. 9 is a left end elevation thereof;

FIG. 10 is a right end elevation thereof;

FIG. 11 is a front end elevation thereof;

FIG. 12 is a rear end elevation thereof;

FIG. 13 is a perspective view of a third embodiment of a jewelry clasp of my new design;

FIG. 14 is a top elevation thereof, the bottom elevation being a mirror image thereof;

FIG. 15 is a left end elevation thereof;

FIG. 16 is a right end elevation thereof;

FIG. 17 is a front end elevation thereof; and,

FIG. 18 is a rear end elevation thereof.

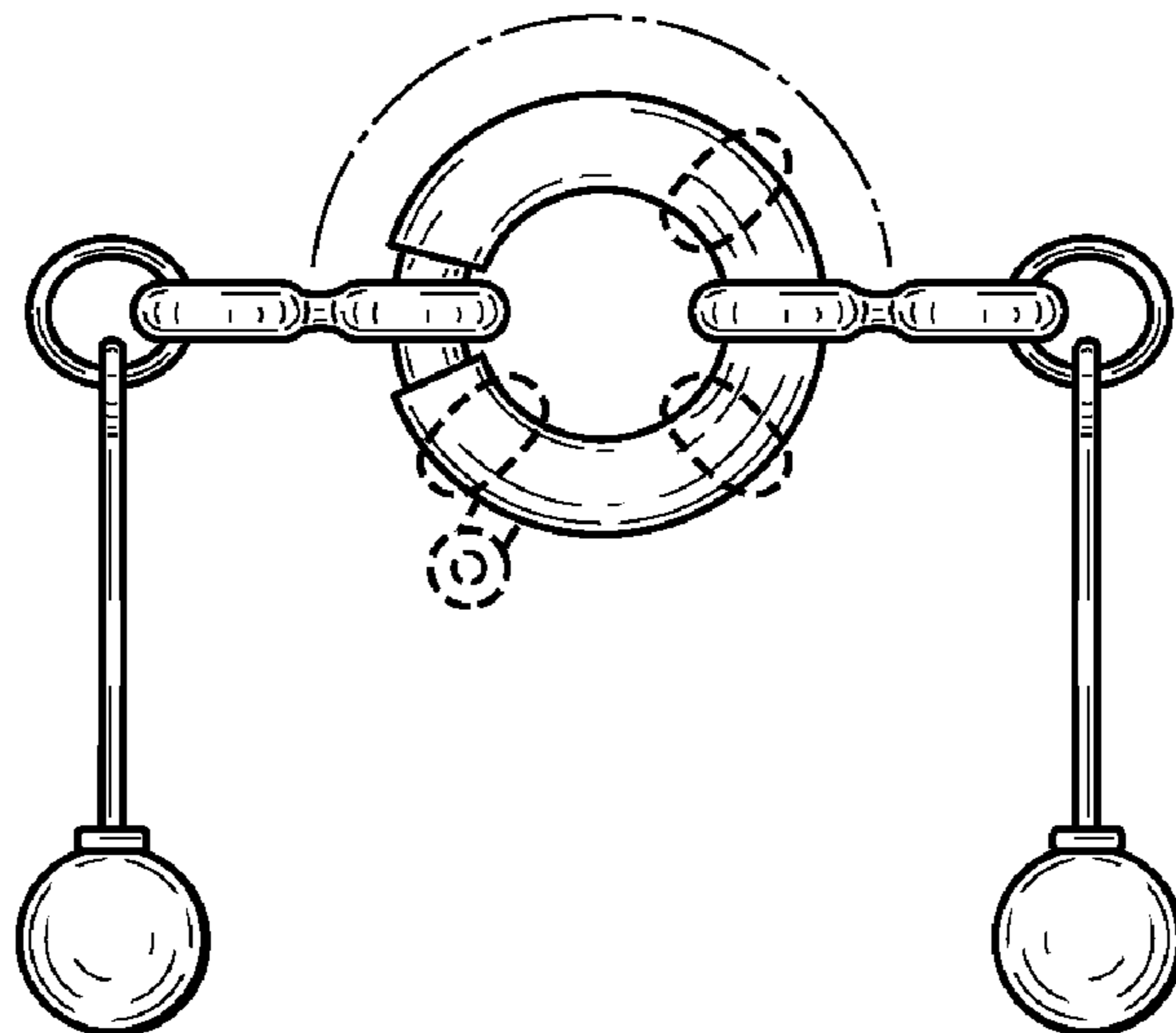
The broken lines shown in the drawings form no part of the claimed design.

\* cited by examiner

*Primary Examiner*—Ralf Seifert

(74) *Attorney, Agent, or Firm*—Myers Wolin, LLC

**1 Claim, 9 Drawing Sheets**



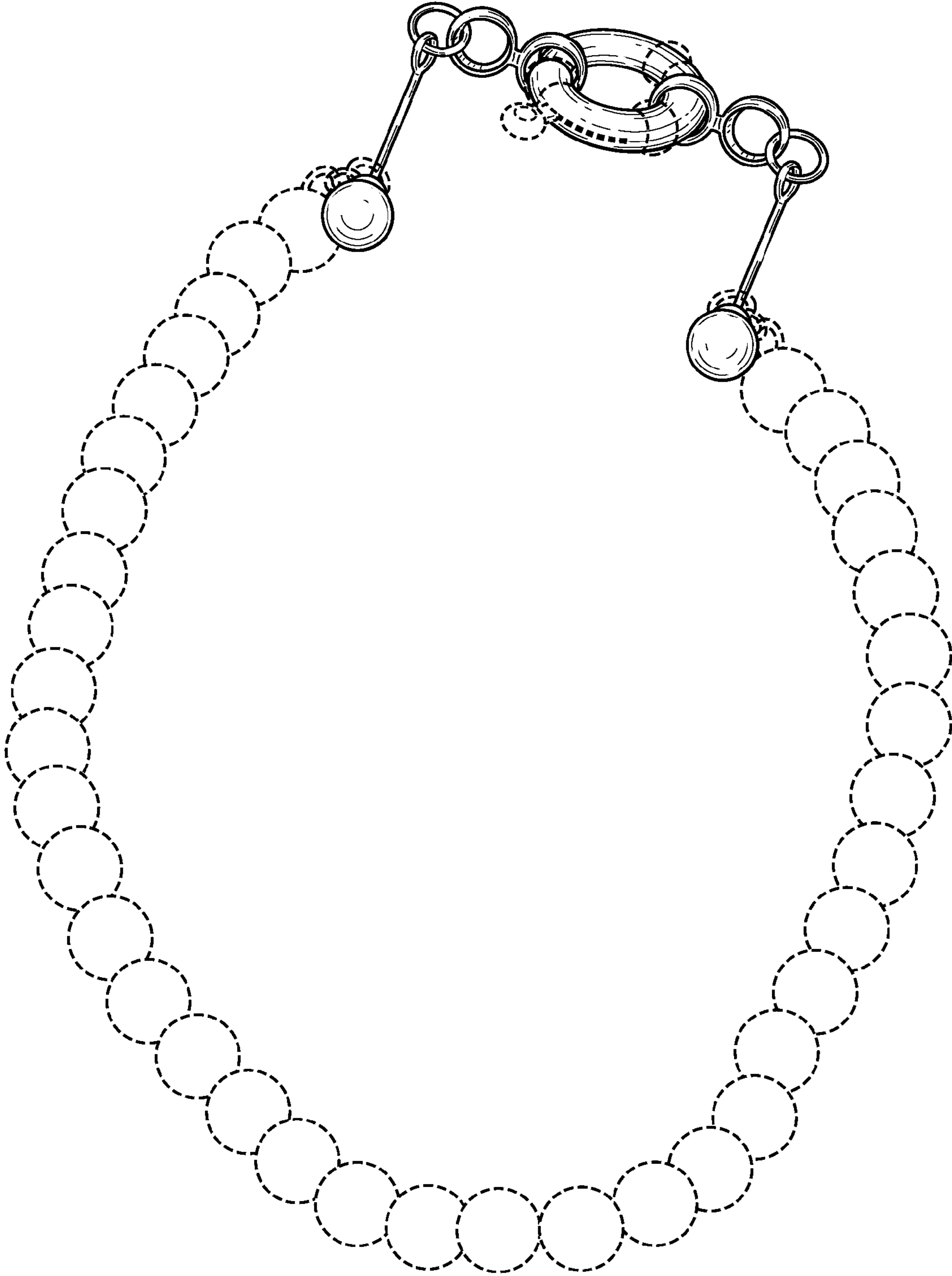


FIG. 1

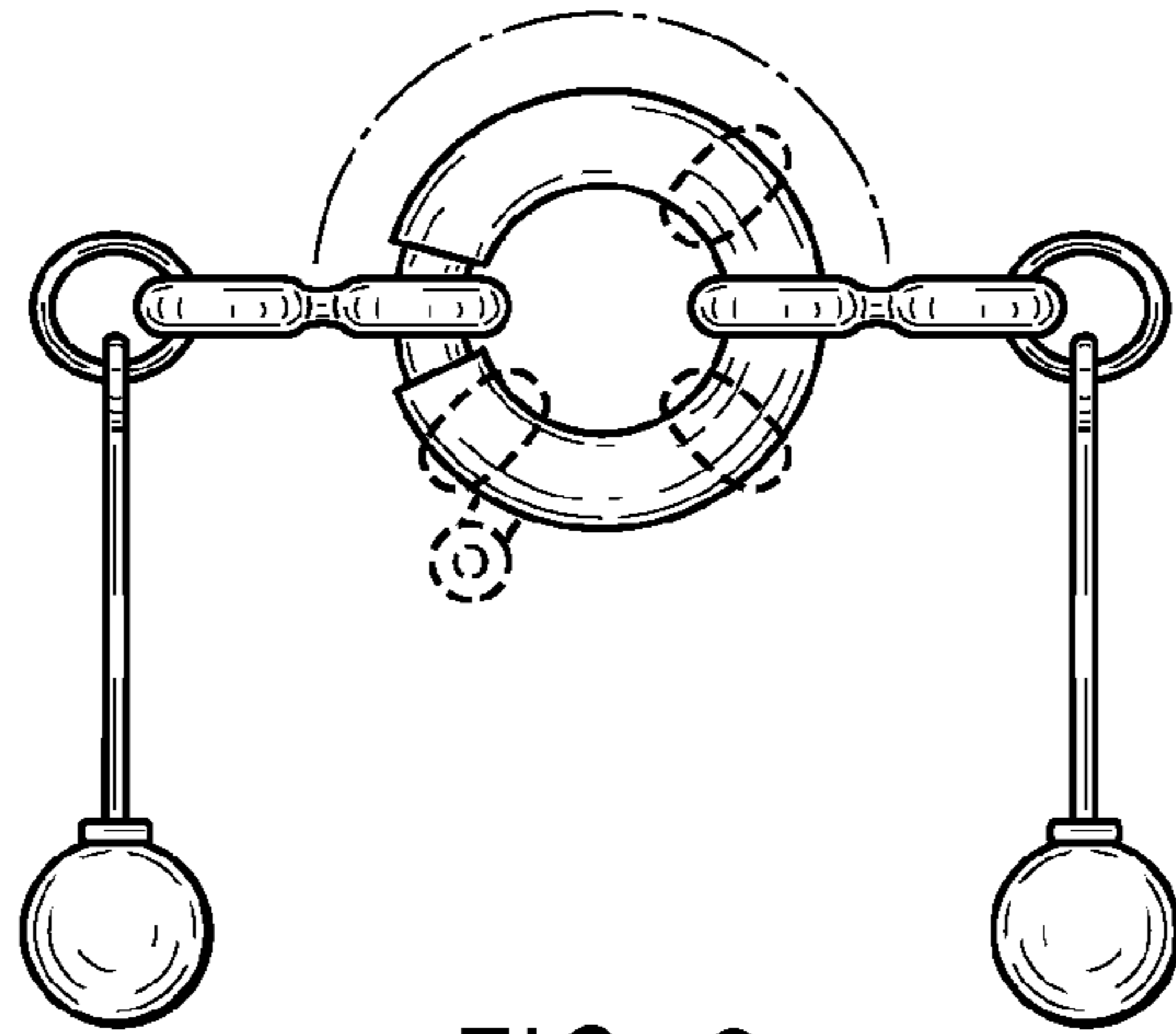


FIG. 2

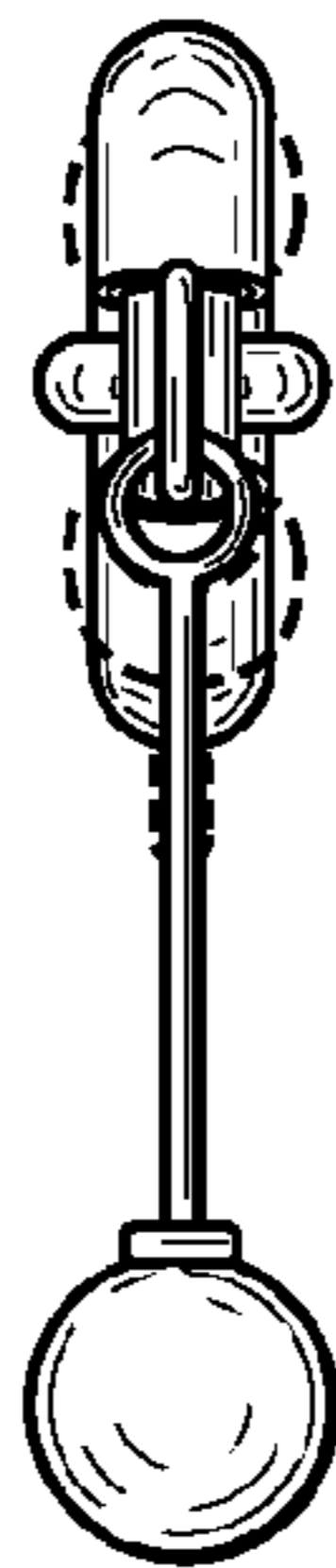


FIG. 3

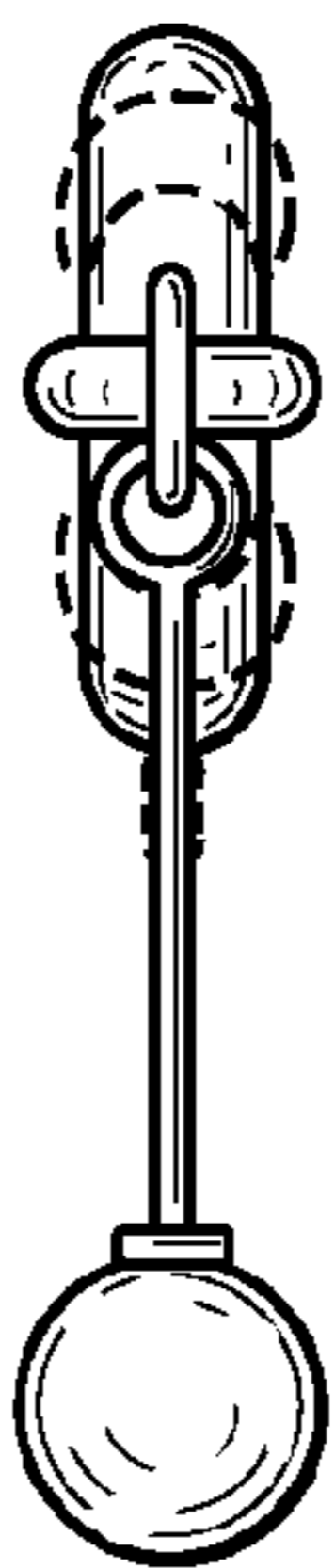


FIG. 4

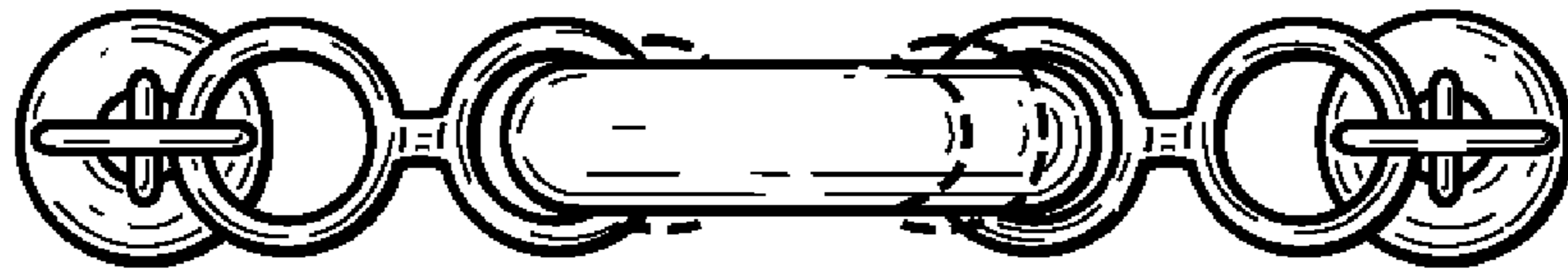


FIG. 5

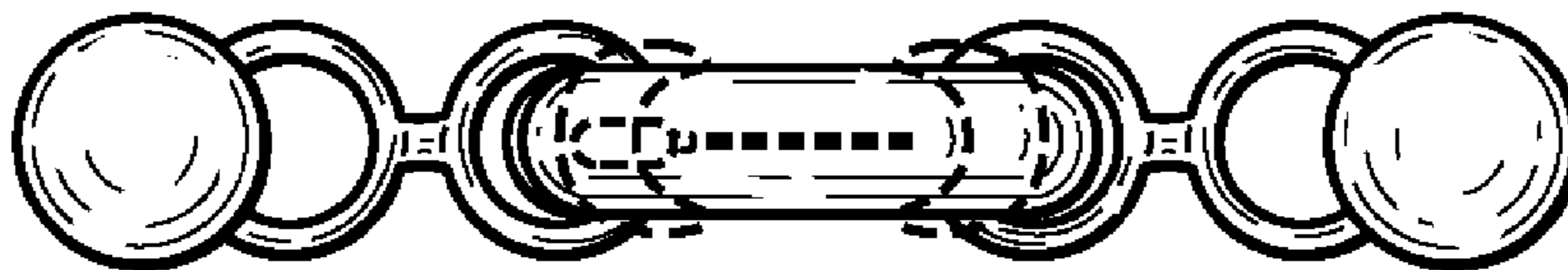


FIG. 6

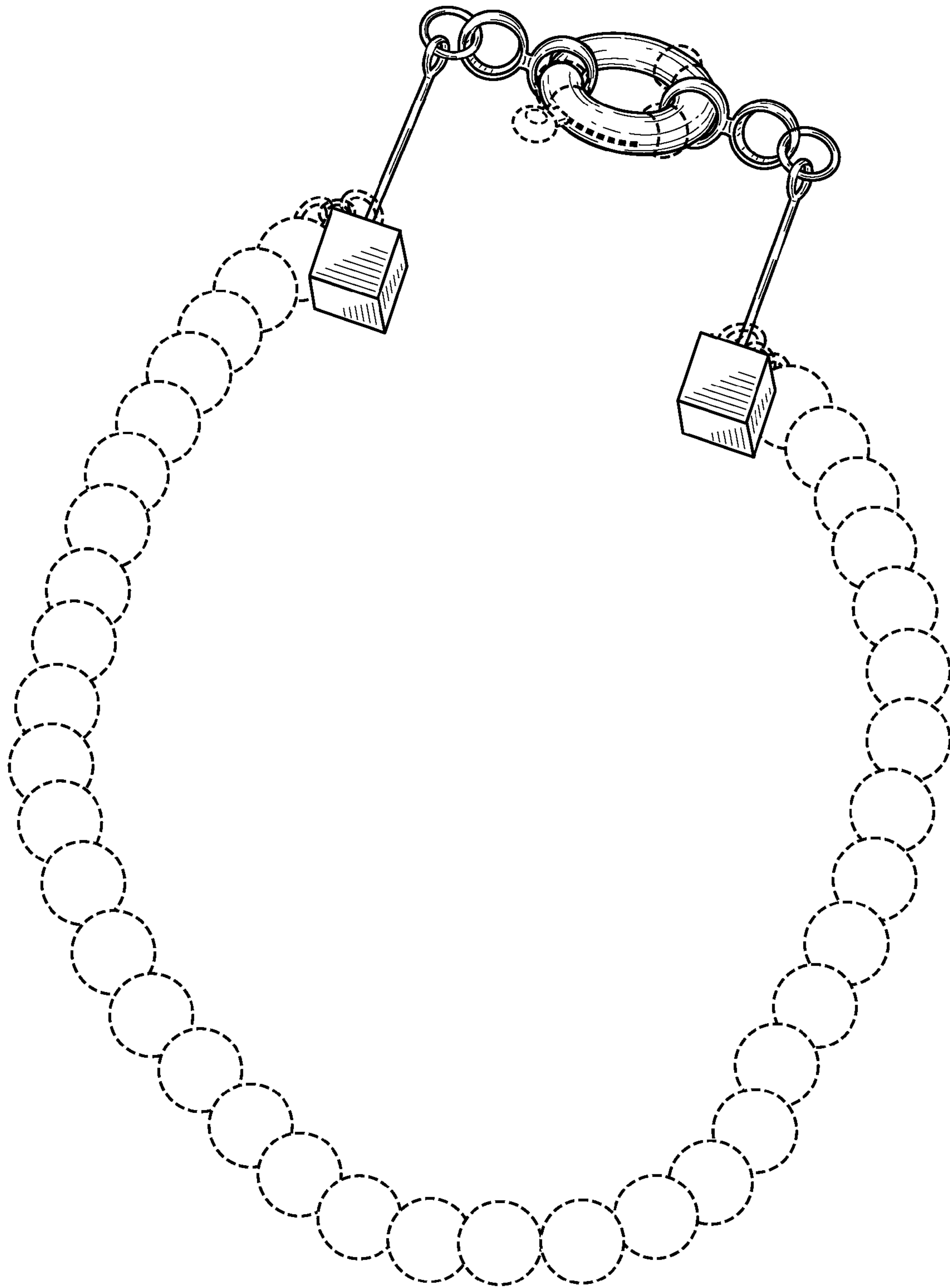


FIG. 7

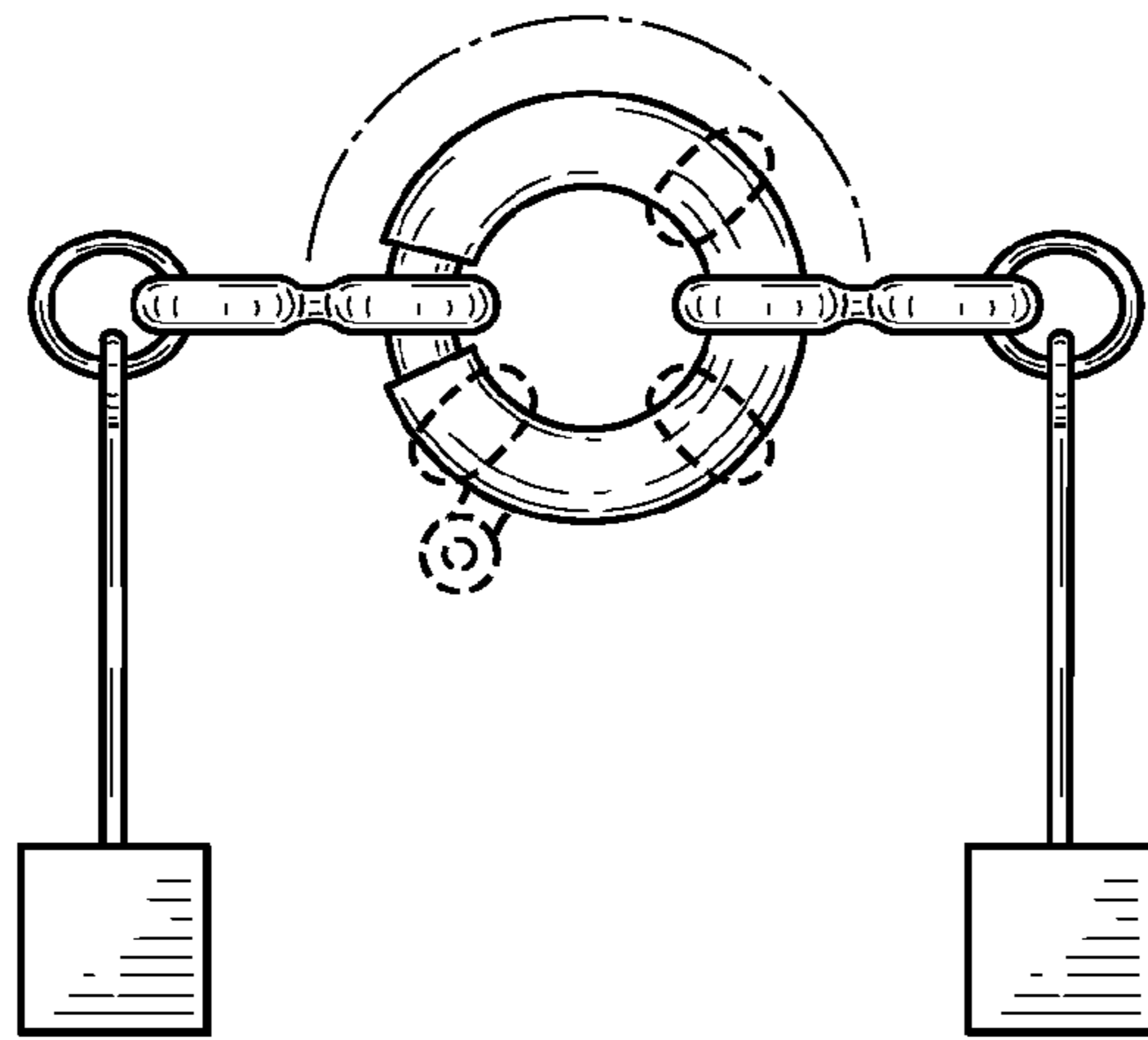


FIG. 8

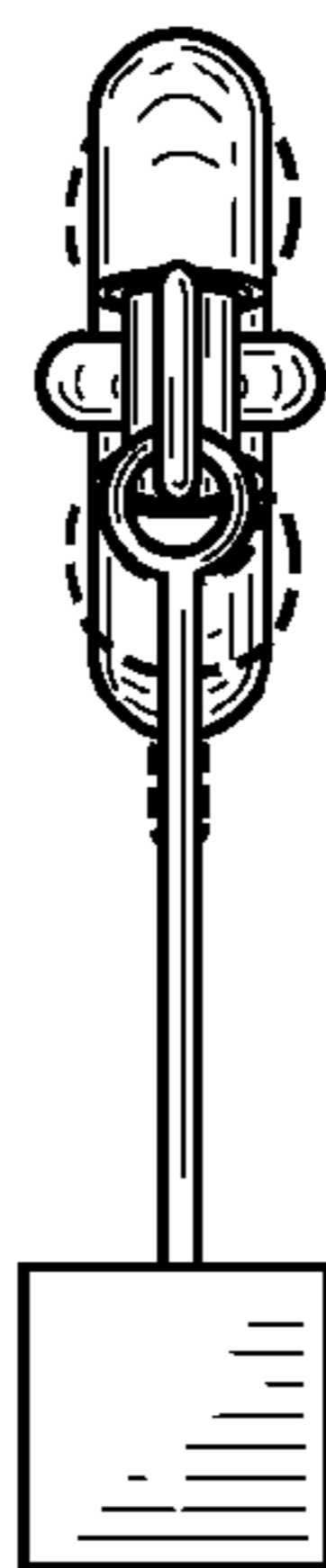


FIG. 9

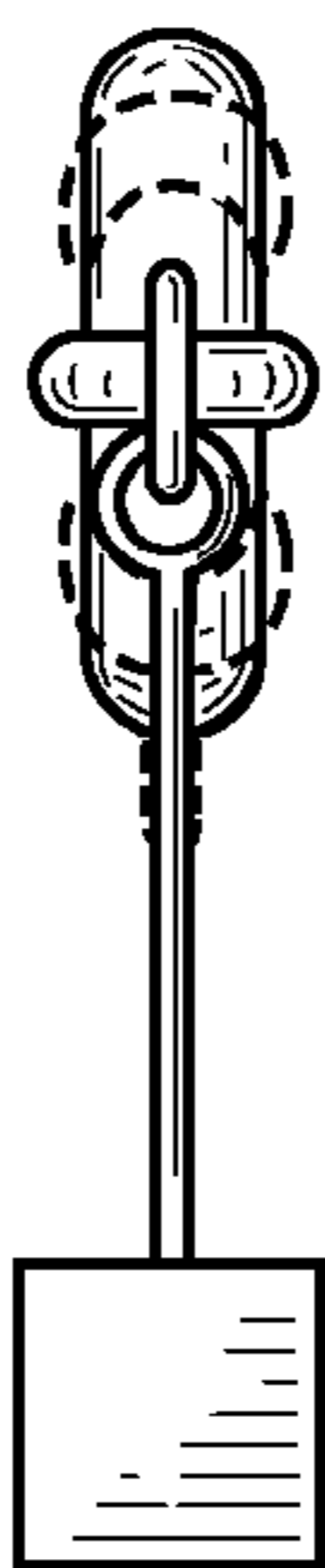


FIG. 10

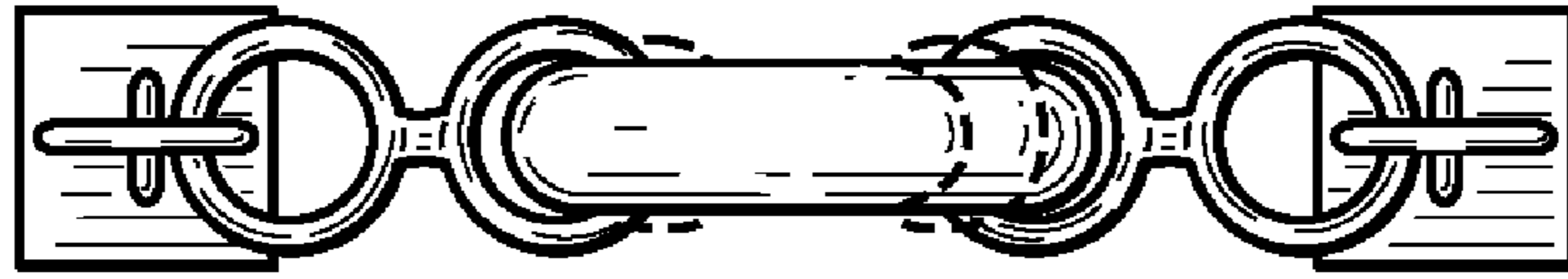


FIG. 11



FIG. 12

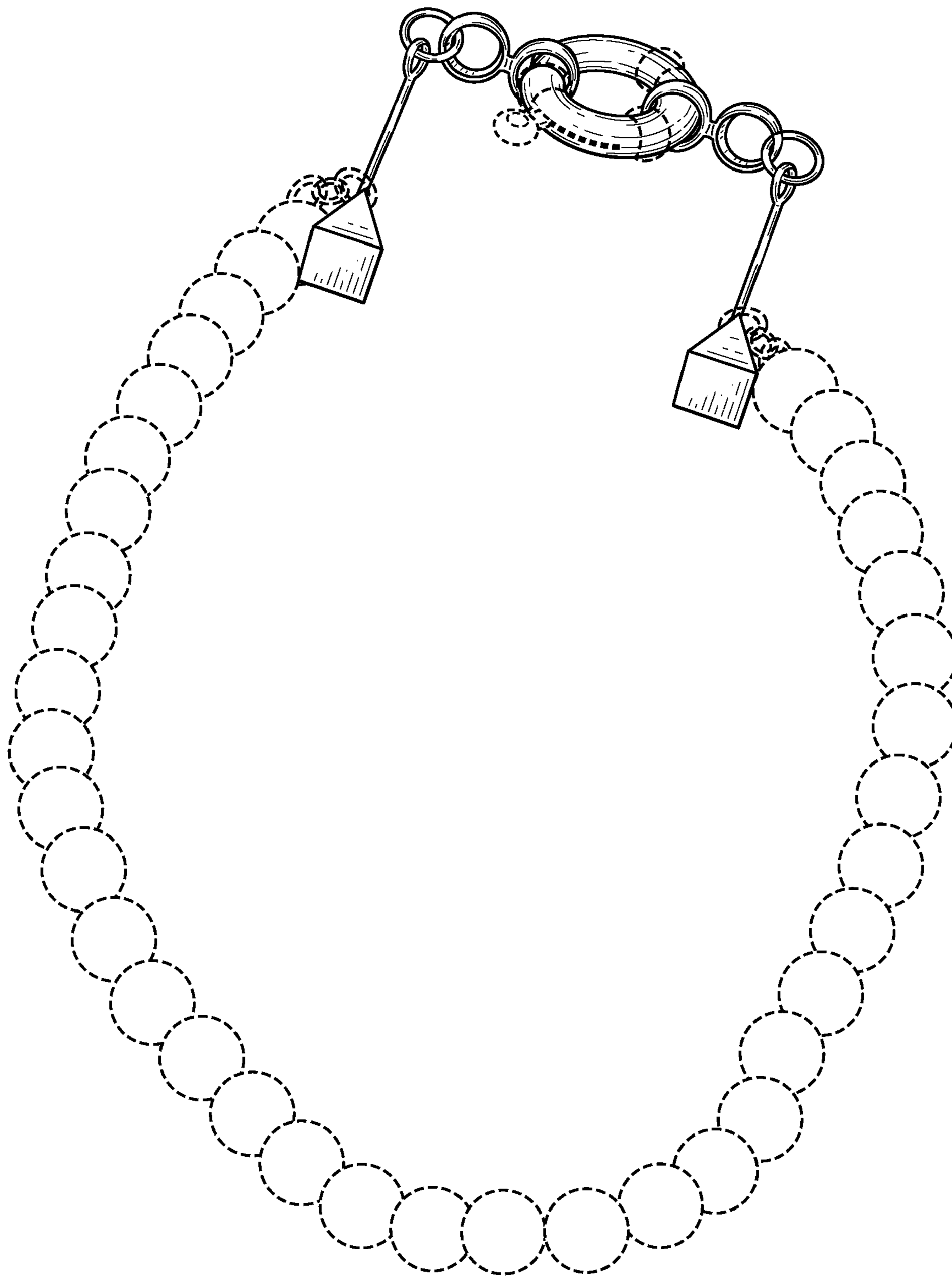


FIG. 13



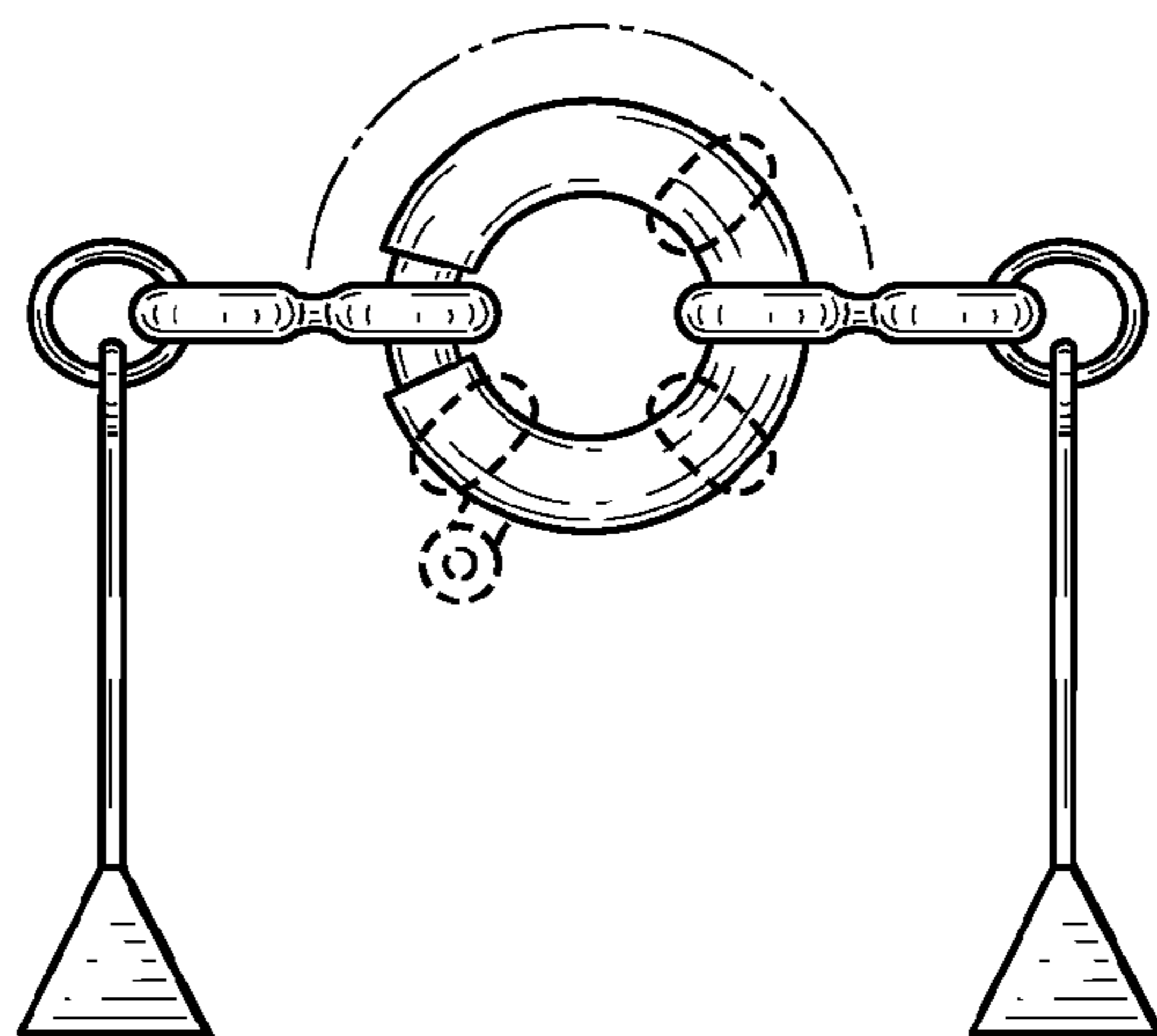


FIG. 14

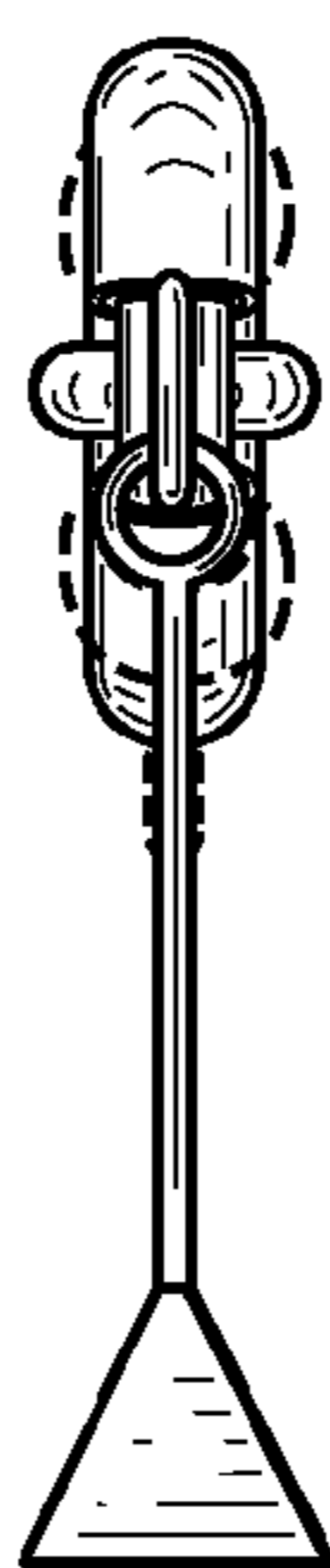


FIG. 15

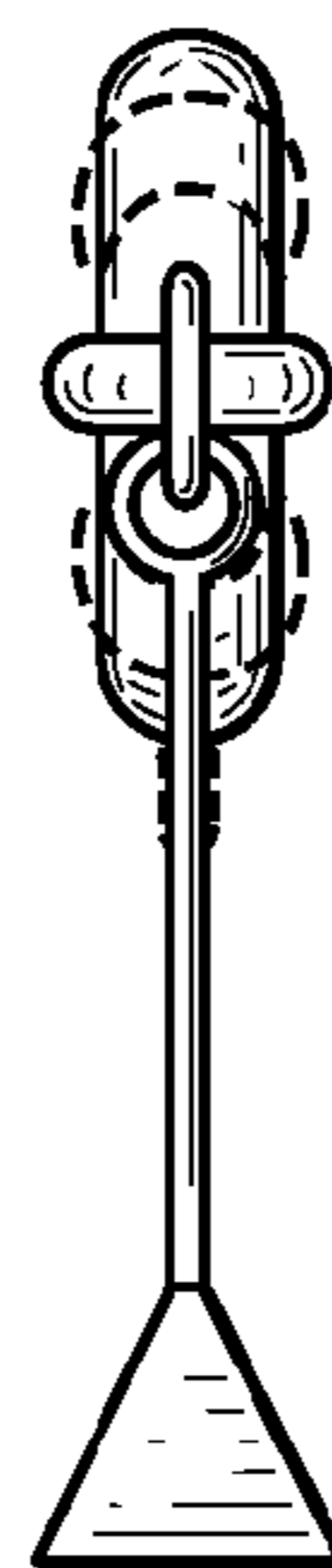


FIG. 16

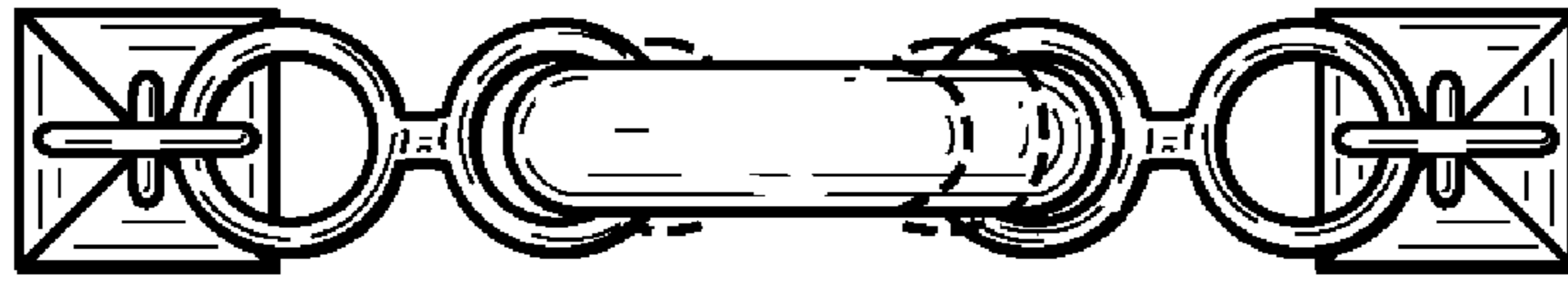


FIG. 17

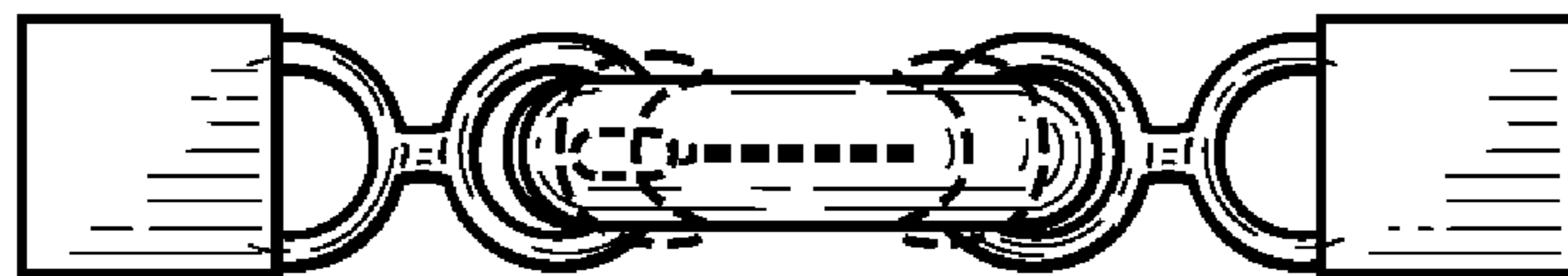


FIG. 18